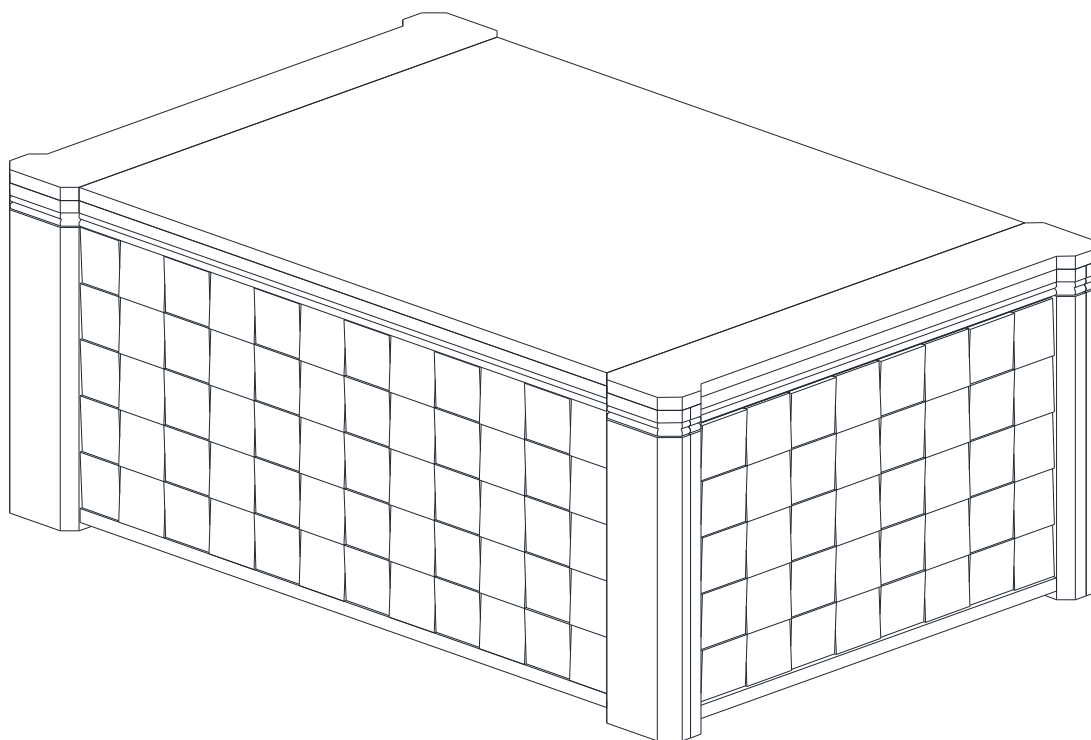


# ASSEMBLY INSTRUCTIONS



Description : COFFEE TABLE

Product Dimension: W42" x D27.5" x H18.5"

Cube Size : 40.9" x 32.8" x 14.5"

NW: 96.8 LBS

GW: 105.6 LBS

*COFFEE TABLE*

## BEFORE ASSEMBLY

Thank you for purchasing our product. This product has been designed for easy assembly and long lasting use. Please take the time to read and follow the assembly instructions carefully.

Be sure to check all packing material carefully for small parts which may have come loose inside the carton during shipment. Please separate, identify, and count all parts and metal hardware. Compare with part list to be sure all parts are present. If hardware is missing or you have difficulty assembling this product, please call for us.

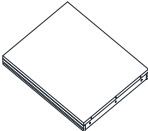
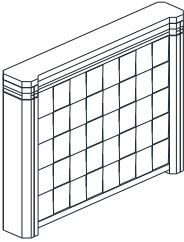
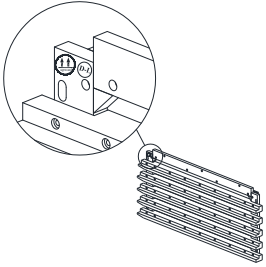
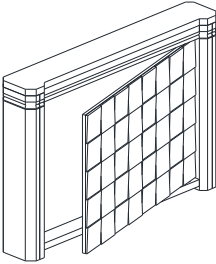
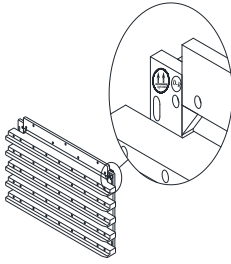
**IMPORTANT NOTE:**

- Place all wooden parts on a clean and smooth surface such as a rug or carpet to avoid the parts from being scratched.
- Remove all wrapping material, including staples & packing straps before you start to assemble.
- DO NOT tighten all screws and bolts until completely assembled.
- Keep all hardware parts out of reach of children.



## PART LIST

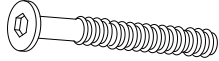




When unpacking, please be careful not to discard any parts with the packaging. Before continuing, please make sure you have the following parts:

NO	Description	Qty	Sketch	NO	Description	Qty	Sketch
<b>A</b>	Table top	1					
<b>B</b>	Back panel	1		<b>D-L</b>	Left panel	1	
<b>C</b>	Front panel (With door)	1		<b>D-R</b>	Right panel	1	

**COFFEE TABLE**

## HARDWARE LIST

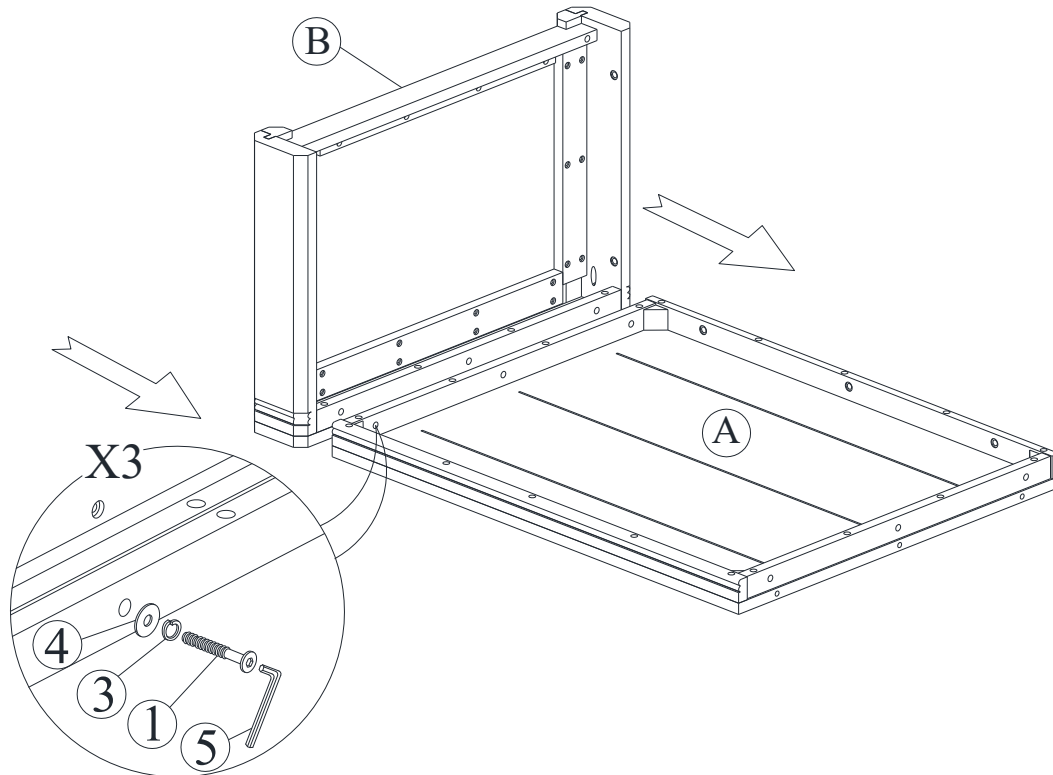
When unpacking, please be careful not to discard any parts with the packaging. Before continuing, please make sure you have all of the following hardware:

NO	Description	Qty	Sketch	NO	Description	Qty	Sketch
1	Long Bolt (M6x50mm)	6		2	Short Bolt (M6x30mm)	14	
3	Lock Washer (Ø6.5X9)	20		4	Flat Washer (Ø6.5x19)	20	
5	Allen Key (K4xL110mm)	1					

### STEP 1

Attach Back panel (B) to the Table top (A) by using long bolts (1), lock washers (3) and flat washers (4). Tighten with Allen Key (5).

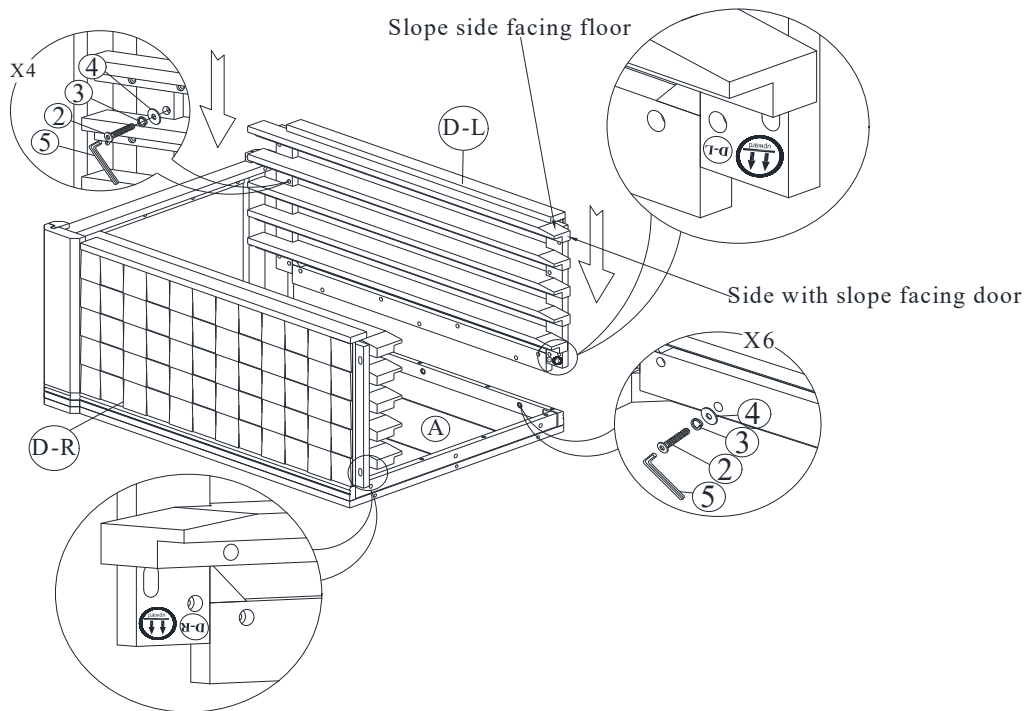
Note: DO NOT fully tighten any of the bolts until the last step.



## STEP 2

Attach Left panel (D-L) and Right panel (D-R) to the Table top (A) and Back panel (B) by using short bolts (2), lock washers (3) and flat washers (4). Tighten with Allen Key (5).

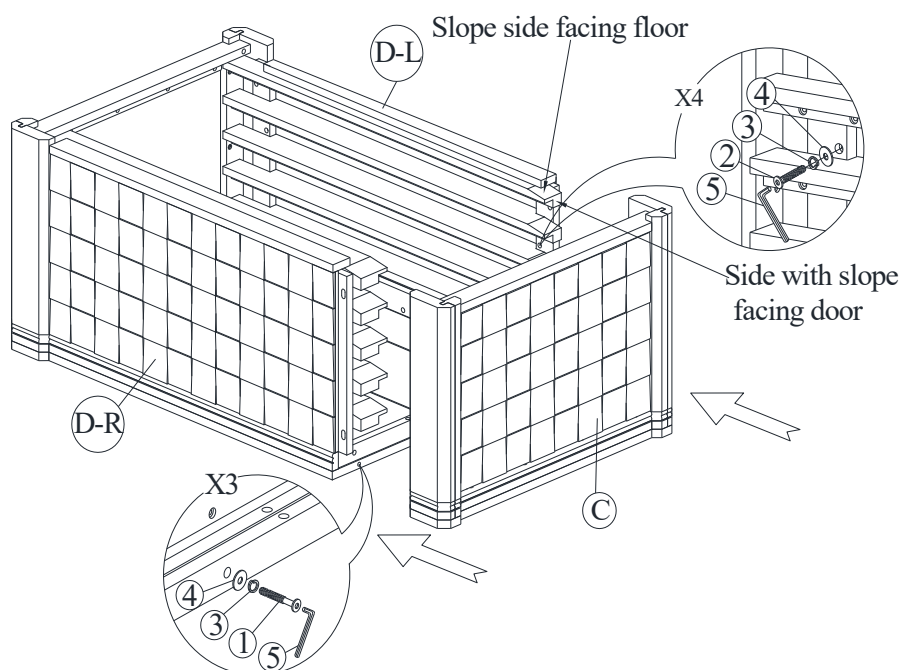
Note: DO NOT fully tighten any of the bolts until the last step.



## STEP 3

Attach Front panel (C) to the Table top (A) and Right panel (D-R) by using long bolts (1), short bolts (2), lock washers (3) and flat washers (4). Tighten with Allen Key (5).

Note: DO NOT fully tighten any of the bolts, until step 4.

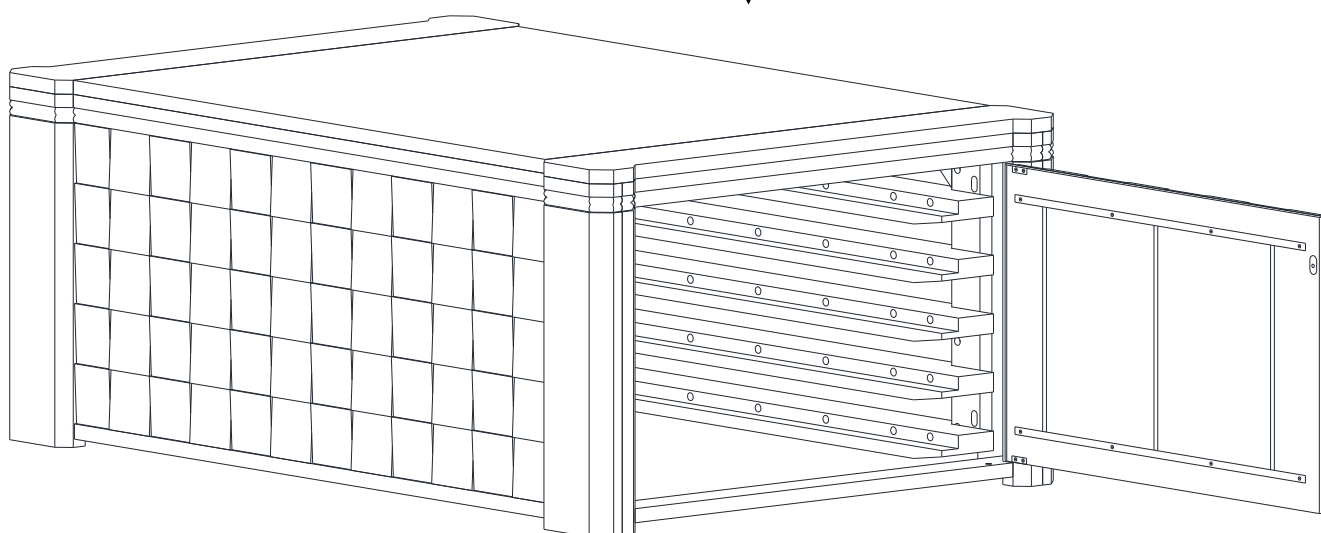
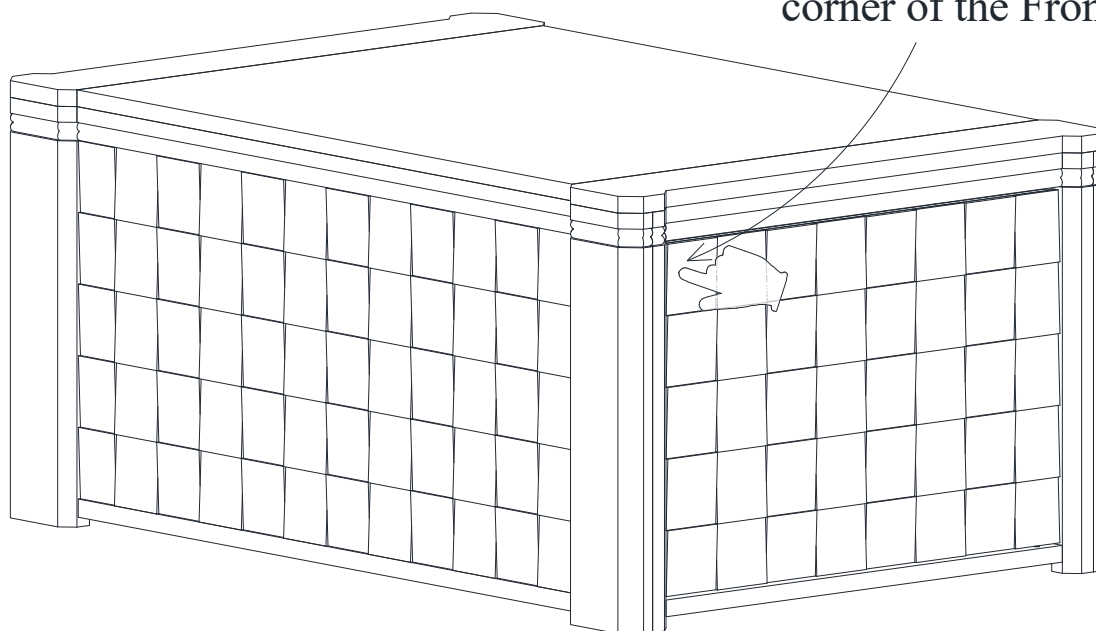


**COFFEE TABLE**

## STEP 4

Put the table on a flat level surface to make sure the table is level and then tighten all bolts.

To open the door: Push the top corner of the Front Panel (C).



**COFFEE TABLE**