

ASSEMBLY INSTRUCTIONS

Components List

item	image	Q	item	image	Q	item	image	Q
A		1	B		2	C		1

Hardware List

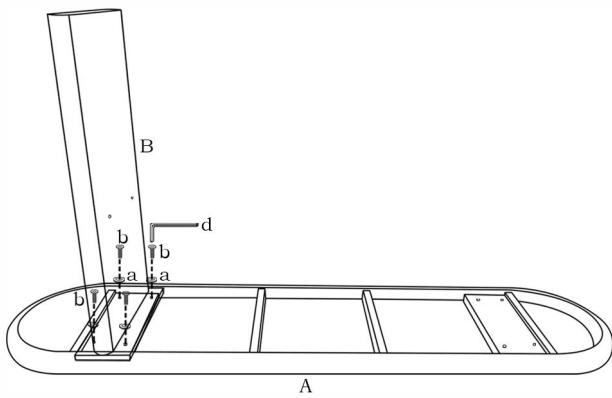
item	image	Q	item	image	Q	item	image	Q
a M8*17 mm		12	b M8*35 mm		8	c M8*45 mm		4

Tools Needed

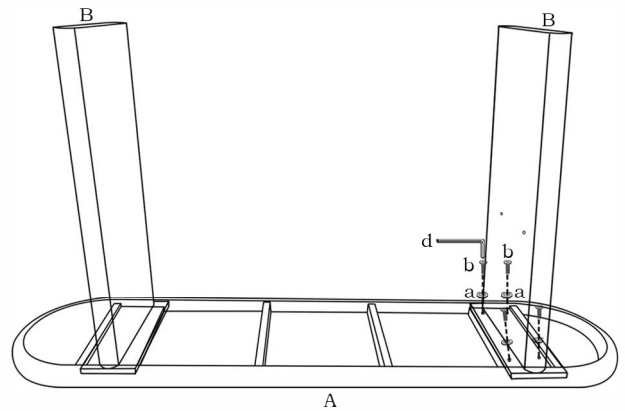
item	image	Q
d		1

ASSEMBLY STEPS

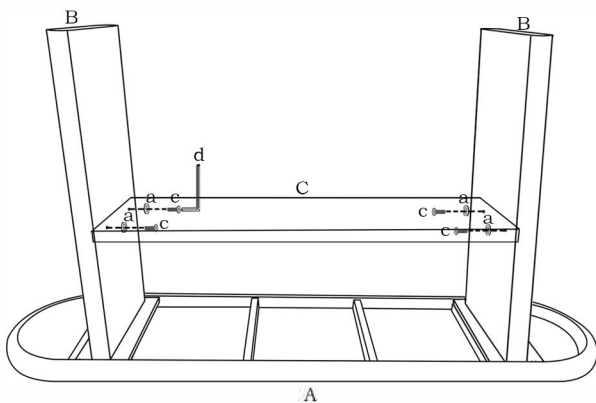
Step 1



Step 2



Step 3



Step 4

