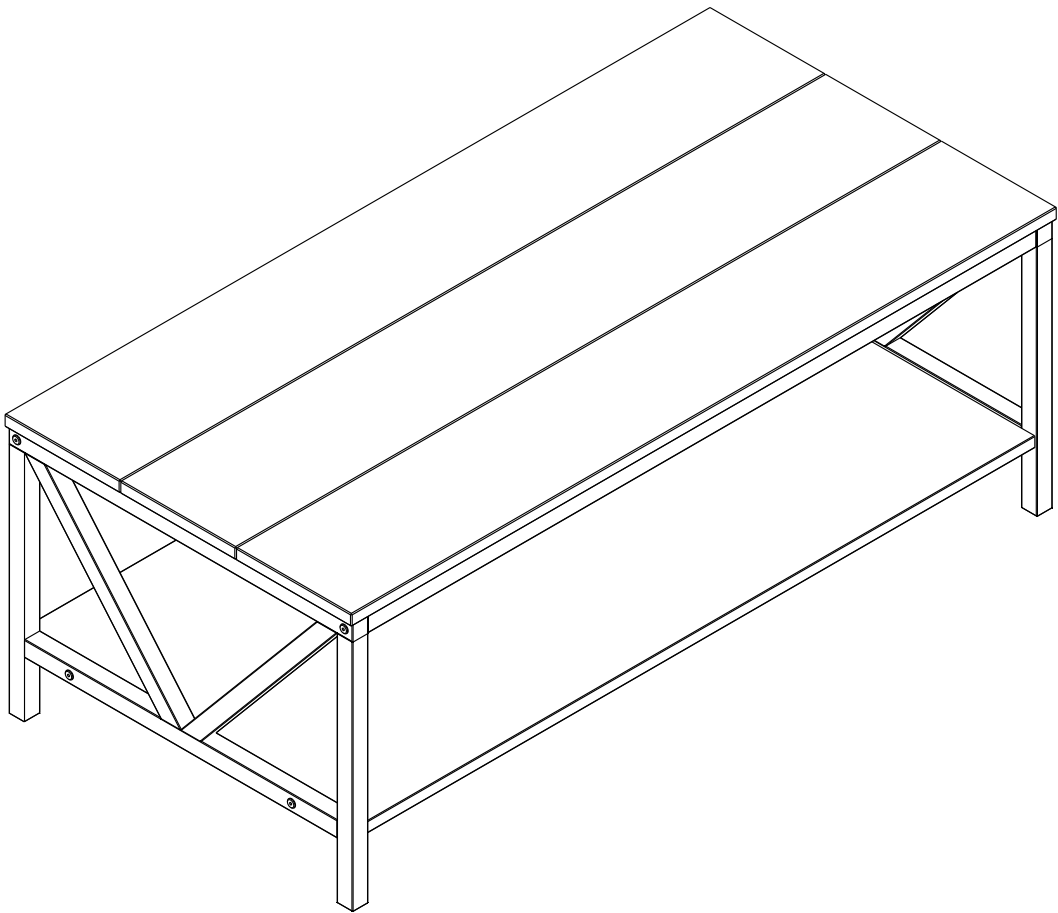
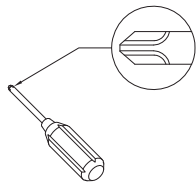


Assembly Instructions

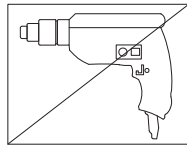


General Assembly Guidelines

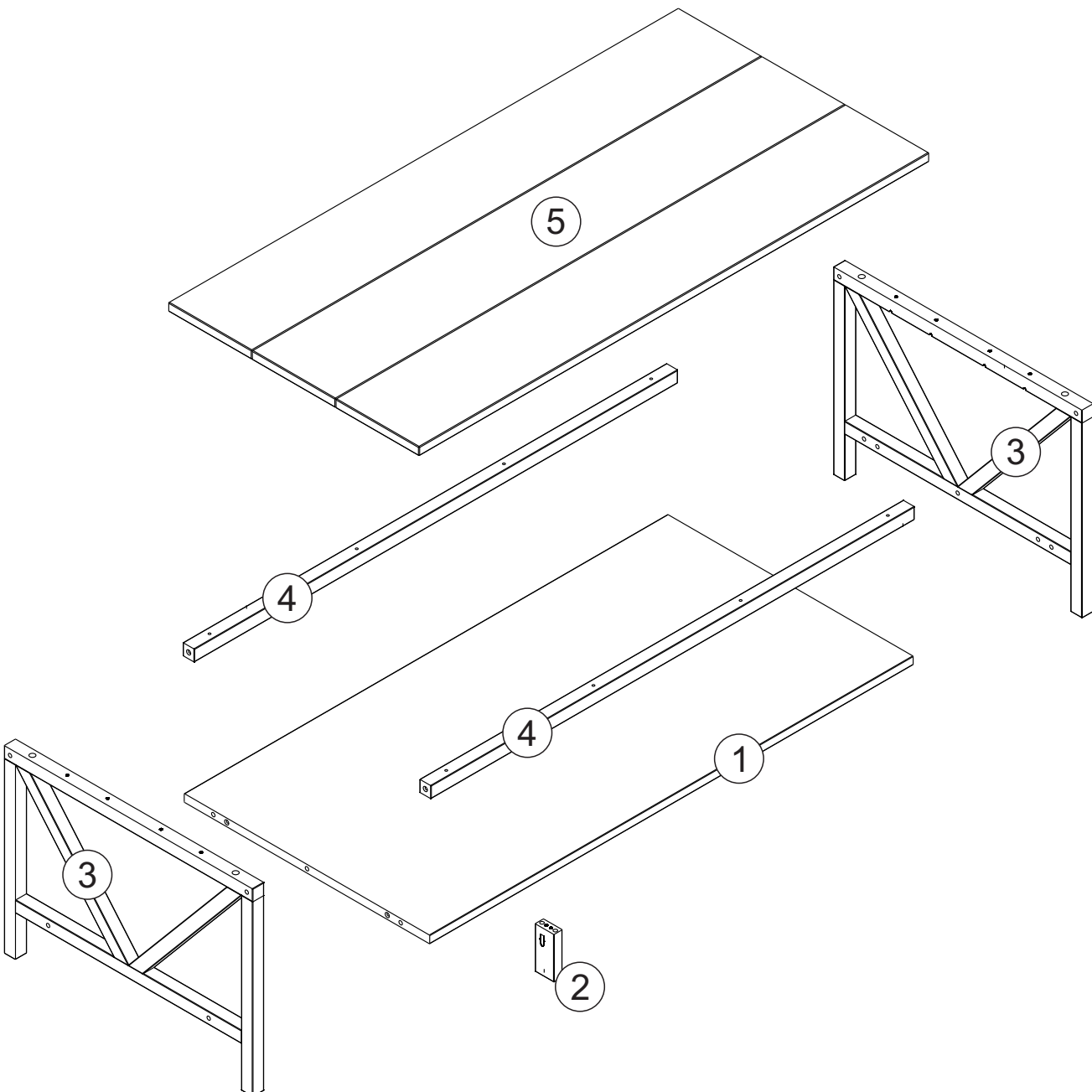
- I. Ensure that all parts and hardware are available before beginning assembly.
- II. Follow each step carefully to ensure the proper assembly of this product.
- III. Two people are recommended for ease in the assembly of this product.
- IV. The three main types of hardware used to assemble this product are : wood dowels , screws and bolts.
- V. A Phillips head screwdriver is required for the assembly of this product .



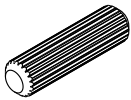
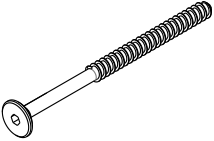
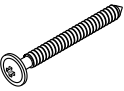
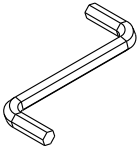
- VI. Power tools should not be used to assemble this product .

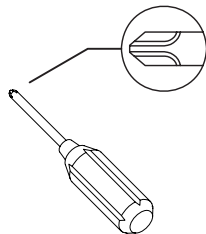
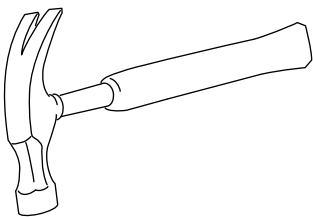


Parts List



Hardware List

A		Ø8.0 x 30 mm	Wood dowel	08 pcs
B		Ø7.0 x 60 mm	Bolt	08 pcs
C		Ø4.0 x 30 mm	Screw	18 pcs
D		M4	Hex key	01 pcs



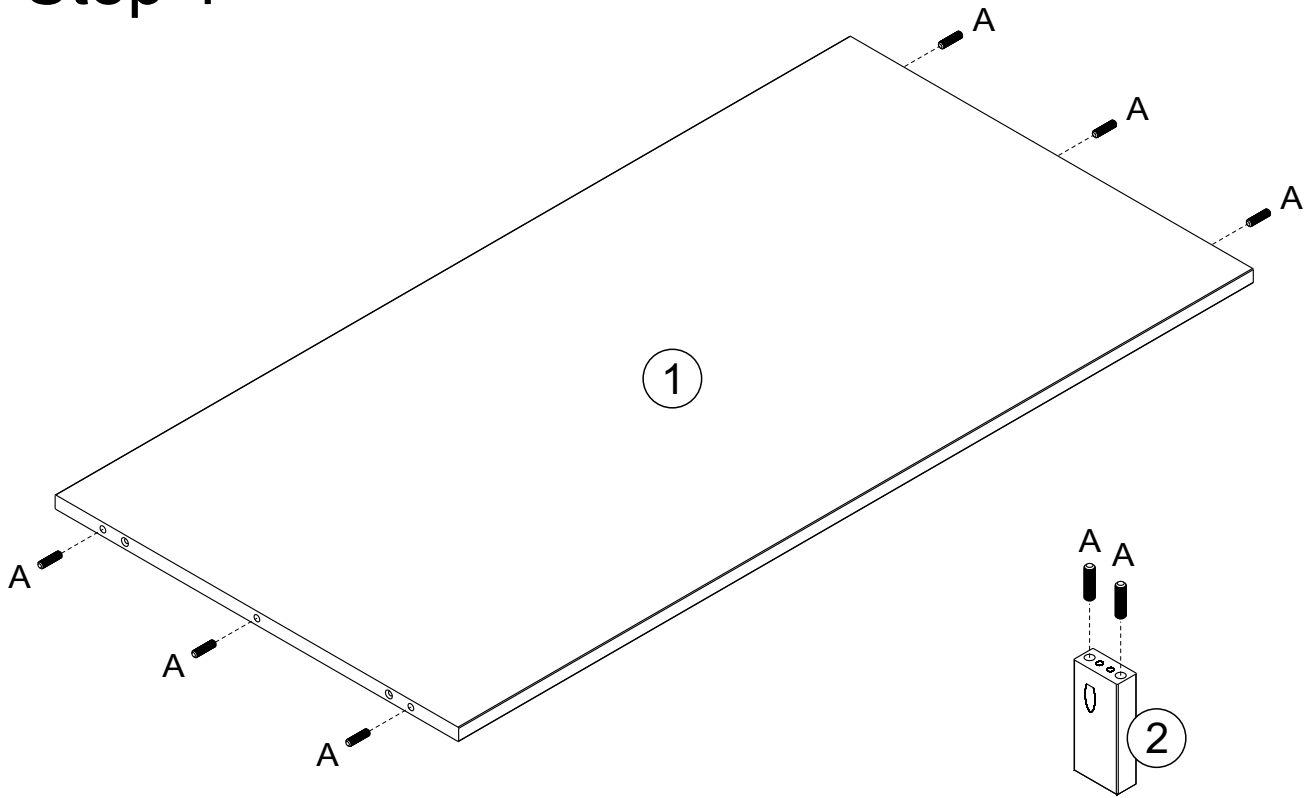
Philips head screwdriver required for assembly
(not included)

Mallet or hammer recommended for assembly
(not included)

*The hardware quantities listed above are required for proper assembly.
Some extra hardware may also have been included.*

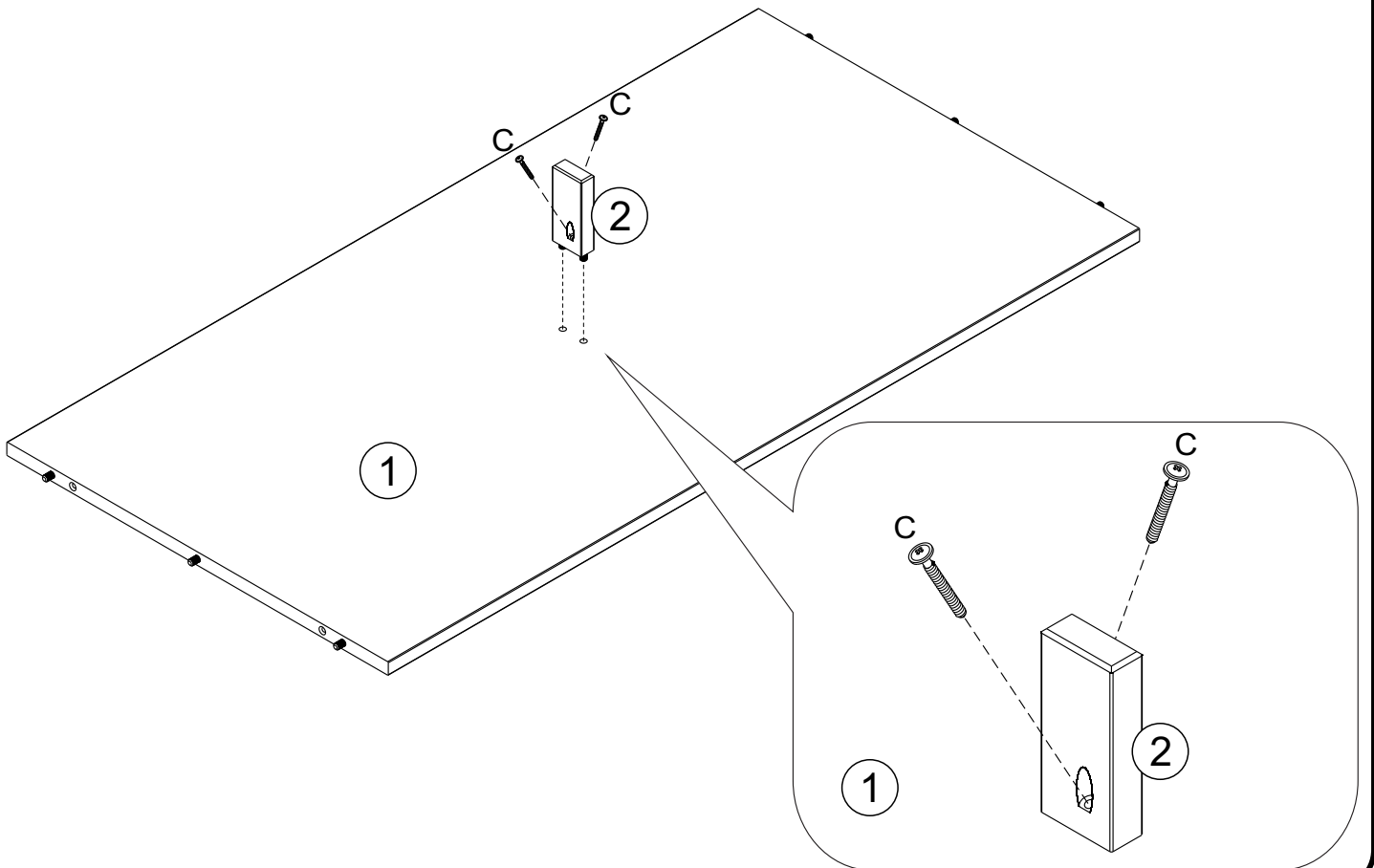
Step 1

Insert wood dowel (A) into parts (1) and (2).



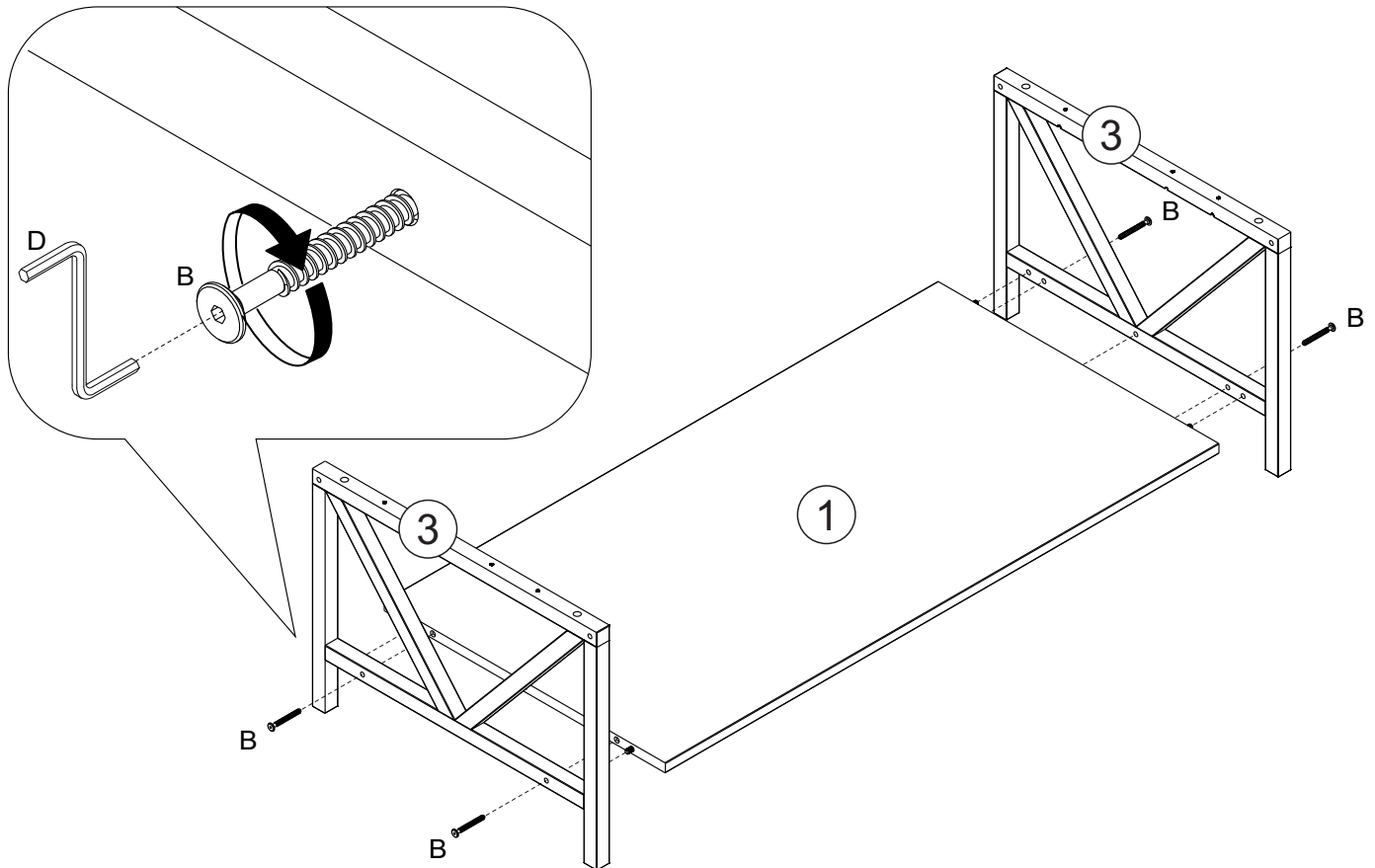
Step 2

Attach part (2) to part (1) using screw (C).
Complete this step twice.

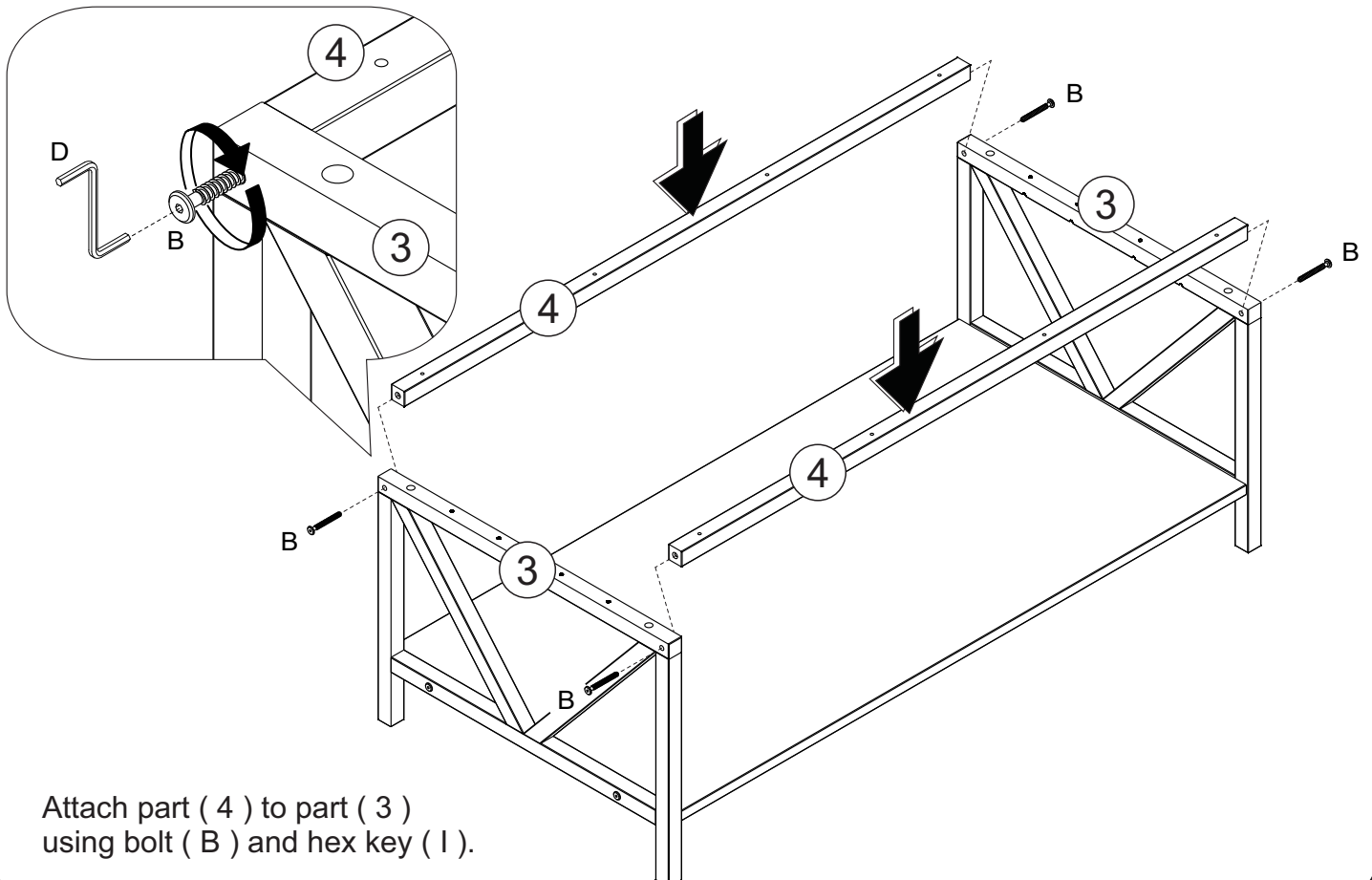


Step 3

Attach part (1) to part (3) using bolt (B) and hex key (D).
Complete this step twice.



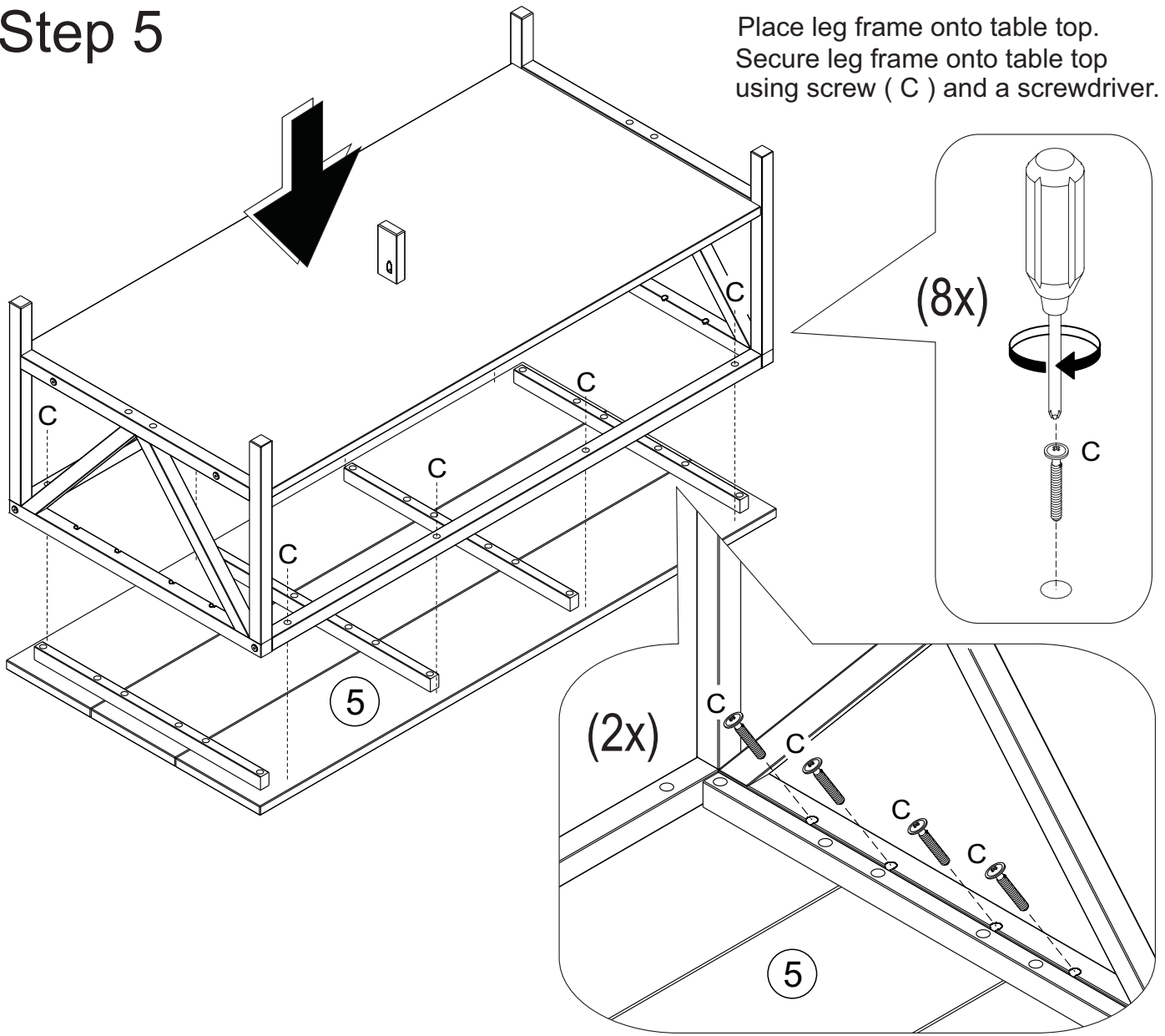
Step 4



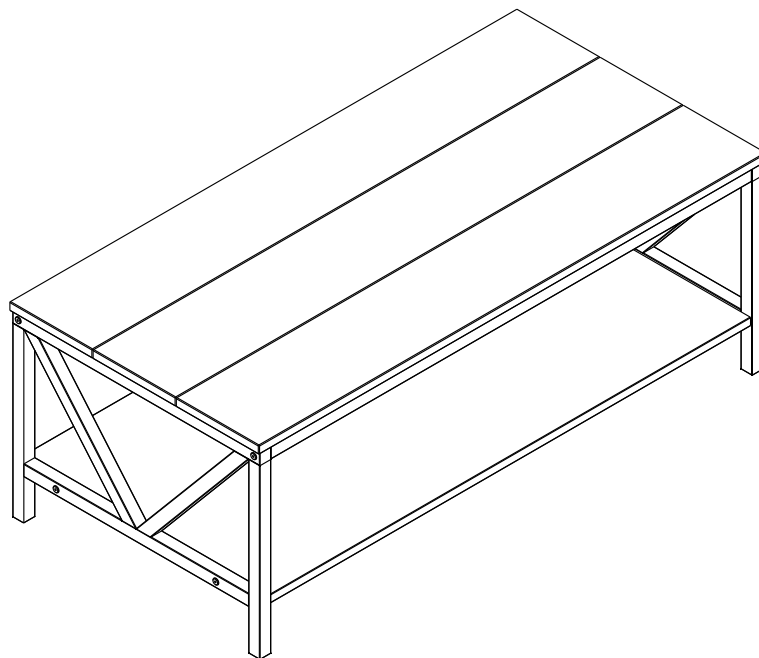
Attach part (4) to part (3)
using bolt (B) and hex key (I).

Step 5

Place leg frame onto table top.
Secure leg frame onto table top
using screw (C) and a screwdriver.



Step 6



Final Assembly.