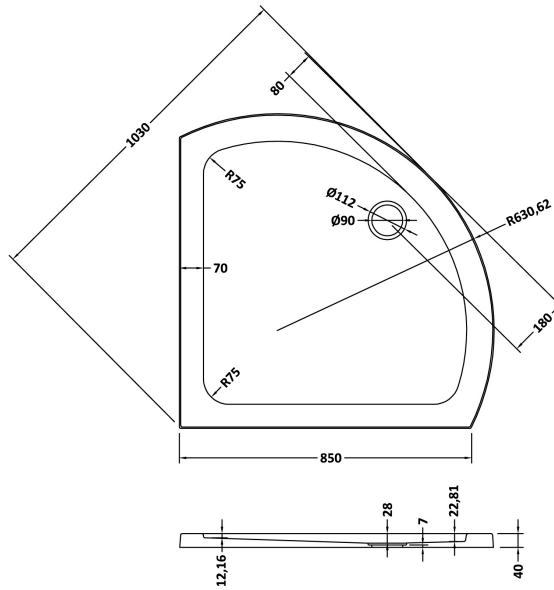


CUSTOMER DATA SHEET - SHOWER TRAYS

DESCRIPTION: Single Entry Tray 914X914x40



SINGLE ENTRY TRAY



PRODUCT DIMENSIONS			
Length (mm)	Width (mm)	Height (mm)	Nett Wgt Kg
914	914	40	20

PACKAGING DIMENSIONS			
Length (mm)	Width (mm)	Height (mm)	Gross Wgt Kg
900	900	80	20

PACKAGING DATA			
Box Colour	Shrinkwrap & Polystyrene		
Box Qty	1	Label Colour	White Label
Label Size	100 x 50	Label Qty	2

OUTER BOX DIMENSIONS (If Applicable)			
Length (mm)	Width (mm)	Height (mm)	Gross Wgt Kg

PRODUCT DETAILS	
Country of Origin	United Kingdom
Fitting Instruction	Yes
Product Material	Acrylic Capped ABS Caco3 & Pu
Mat' Colour Ref'	European White
Waste Required	

CE Certification	Yes
Colour/Finish	White
Radius	631
Compatible with Leg Kit	Yes