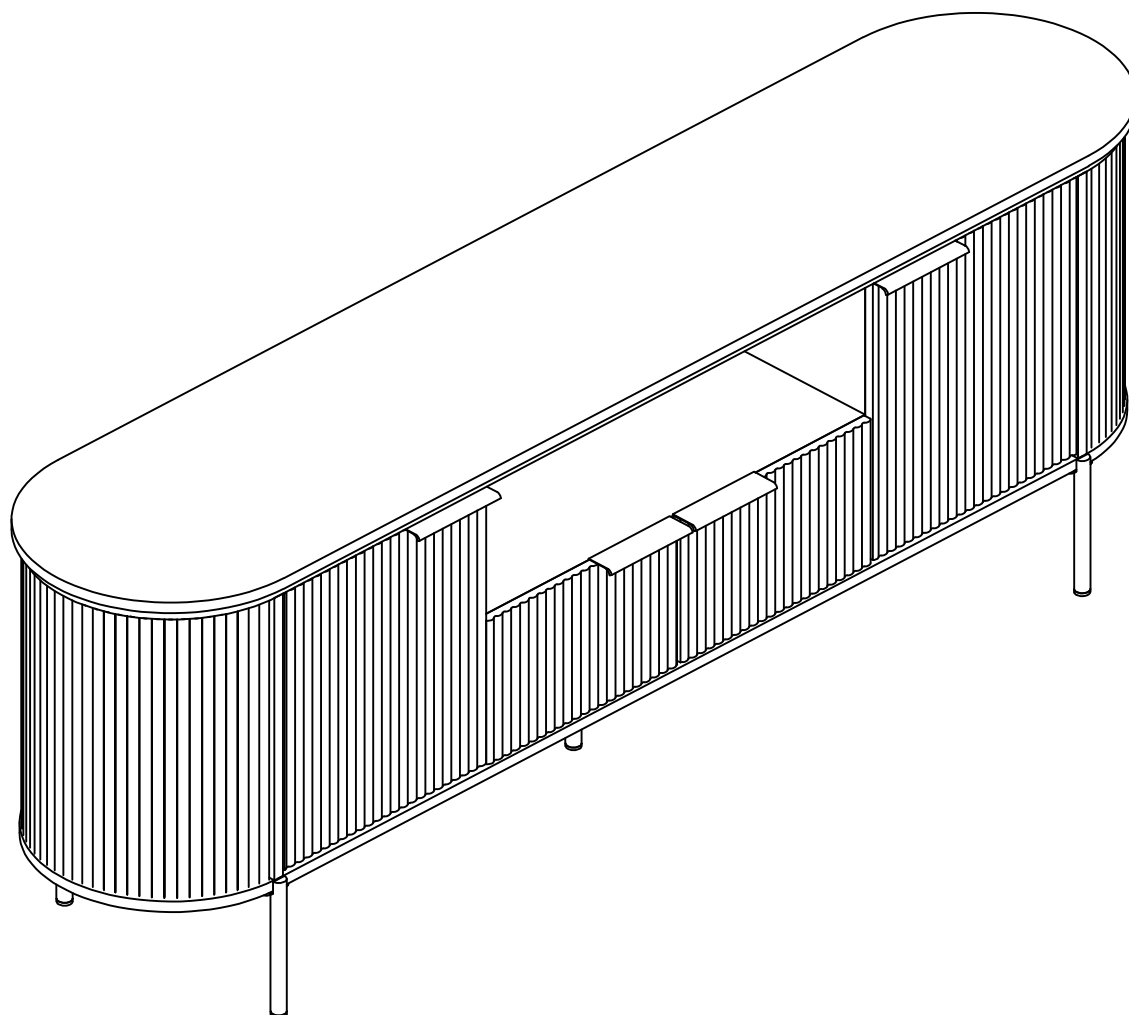


Pantry

Assembly Instructions - Please keep for future reference



Dimensions

Width - 70.1inch
Depth - 15.4inch
Height - 24.8inch

Important – Please read these instructions fully before starting assembly

Safety and Care Advice

Important – Please read these instructions fully before starting assembly

- Check you have all the components and tools listed on the following pages.
- Remove all fittings from the plastic bags and separate them into their groups.
- Keep children and animals away from the work area, small parts could choke if swallowed.
- Make sure you have enough space to layout the parts before starting.

- During assembly do not stand or put weight on the product, this could cause damage.
- Assemble the item as close to its final position (in the same room) as possible.
- Assemble on a soft level surface to avoid damaging the unit or your floor.
- Parts of the assembly will be easier with 2 people.



- To reduce the likelihood of damaging your product please ensure that your power drill is set on a low torque setting.

Care and maintenance

- Only clean using a damp cloth and mild detergent, do not use bleach or abrasive cleaners.
- From time to time check that there are no loose screws on this unit.
- This product should not be discarded with household waste. Take to your local authority waste disposal centre.

Handy Hints

- Assemble all parts and bolts loosely during assembly, only once the product is complete should you fully tighten the bolts
- Regularly check and ensure that all bolts and fittings are tightened properly.

WARNING In order to help prevent overturning – please follow these instructions

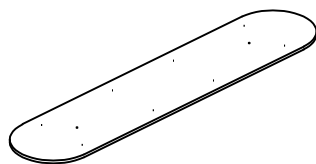
To help prevent product toppling over please follow the below steps:-

Use the anti tip strap or wall fixing method provided (if applicable)
Do not allow children to climb or hang on the furniture
Do not open more than one drawer at a time
Do not place heavy items in the top drawers
Do not place heavy items on top of the furniture, unless the furniture has been designed for this purpose

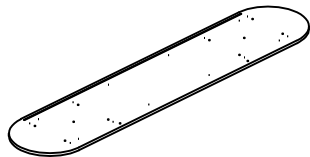
please note that only the anti tip strap is provided.
You will need to provide wall plugs and screws applicable for your wall type

Components - Panels

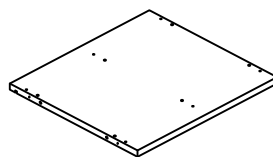
Please check you have all the panels listed below



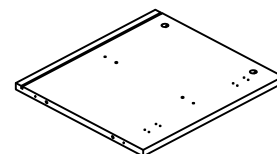
1 (1780X390X15mm)X1



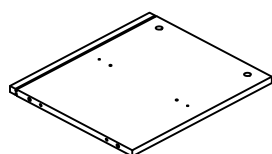
2 (1760X370X15mm)X1



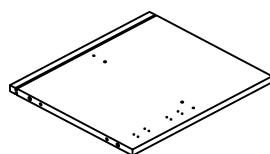
3 (405X370X15mm)X1



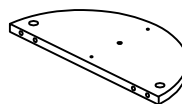
4 (405X370X15mm)X1



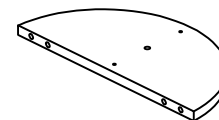
5 (405X340X15mm)X1



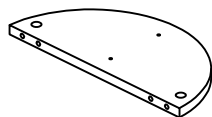
6 (405X340X15mm)X1



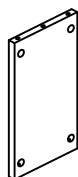
7 (339X163X15mm)X2



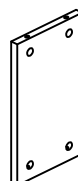
8 (339X163X15mm)X2



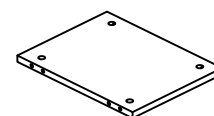
9 (339X163X15mm)X2



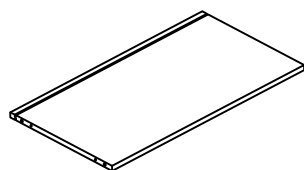
10 (180X160X15mm)X2



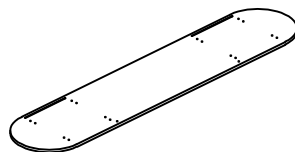
11 (180X160X15mm)X2



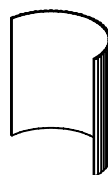
12 (337.5X335X15mm)X2



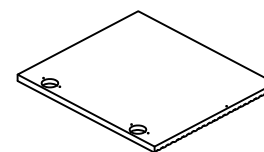
13 (668X355X15mm)X1



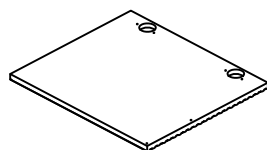
14 (1760X370X15mm)X1



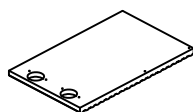
15 (537X403X9mm)X2



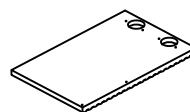
16 (397X350X15mm)X1



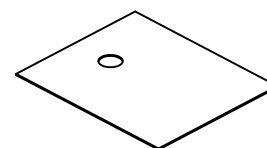
17 (397X350X15mm)X1



18 (329X206X15mm)X1



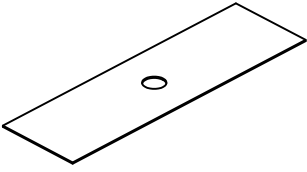
19 (329X206X15mm)X1



20 (413X345X3mm)X2

Components - Panels

Please check you have all the panels listed below













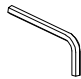





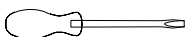
21 (676X203X3mm)X2

Components - Fittings

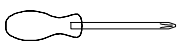
Please check you have all the hardware listed below

Note: The quantities below are the correct amount to complete the assembly. In some cases more fittings may be supplied than are required.

<p>(A)  Male Camlock x 48</p>	<p>(B)  Female Camlock x 48</p>	<p>(C)  Dowel x 44</p>
<p>(D)  4*40mm Screw x 8</p>	<p>(E)  6*25mm Screw x 2</p>	<p>(F)  4*25mm Screw x 8</p>
<p>(G)  x 4</p>	<p>(H)  x 1</p>	<p>(J)  x 8</p>
<p>(K)  3.5*14mm Screw x 48</p>	<p>(L)  Handle & Fixings x 4</p>	<p>(M)  Back Panel Stiffener x 16</p>
<p>(N)  x 1</p>	<p>(P)  4*14mm Screw x 20</p>	<p>(Q)  3*16mm Screw x 16</p>
<p>(R)  3.5*12mm Screw x 8</p>		



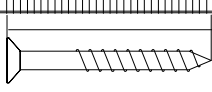
Tools required



Phillips screwdriver
(medium & large)

Ruler - Use this ruler to help correctly identify the screws

0 5 10 15 20 25 30 35 40 45 50 55 60 65 70 75 80 85 90 95 100 105 110 115 120 125 130 135 140 145 150 155 160 165 170

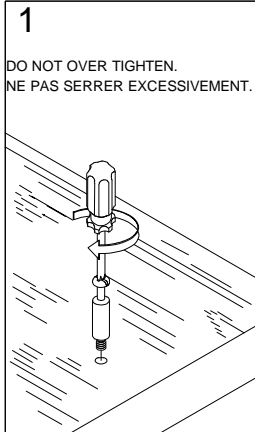


The screws length is measured from the head to the point (30mm screw shown).

Using Camlocks

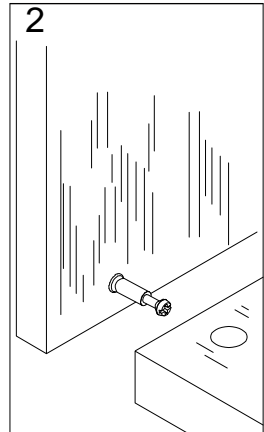
Step 1

Connect the male camlock as directed in the assembly instructions using a screwdriver.



Step 2

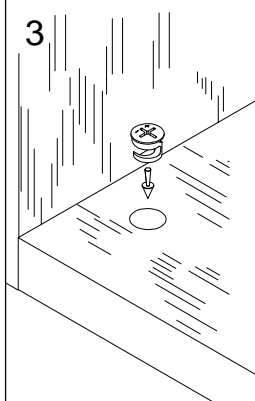
Push the male camlock into the entry hole.



Step 3

Insert the female camlock as shown in the instruction.

Note: ensure that the arrow on the top of the camlock points towards the entry hole for the male camlock.

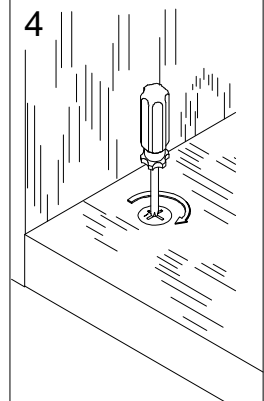


Step 4

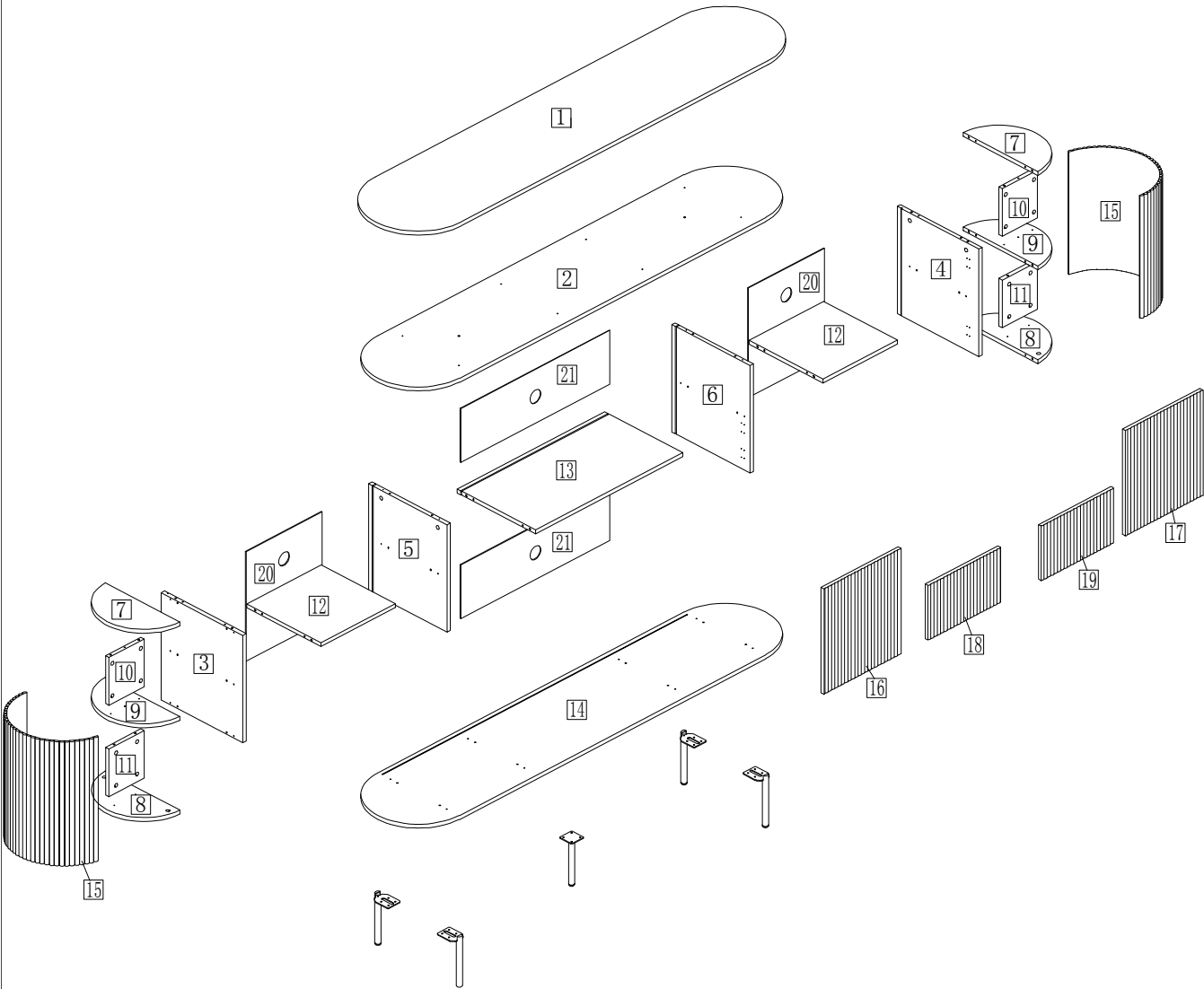
Turn the female camlock clockwise with a screwdriver.

You should feel a click when the camlock is locked in place.

The joint is now secure.

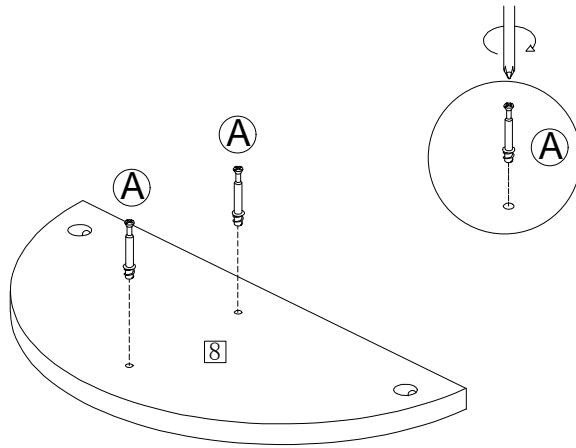
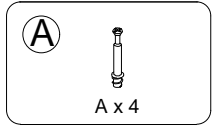


Assembly Instructions



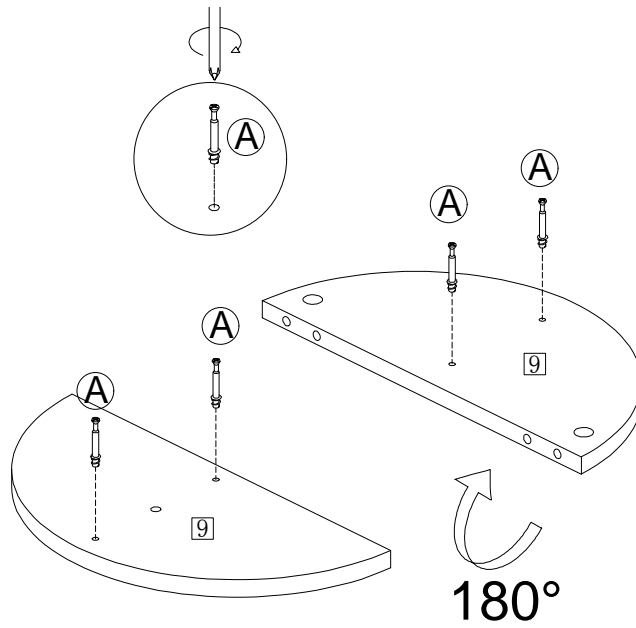
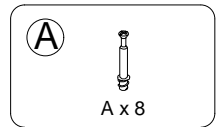
Assembly Instructions

Step 1



x2

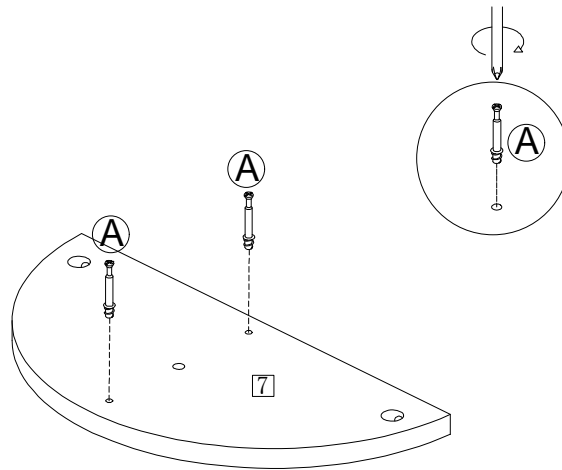
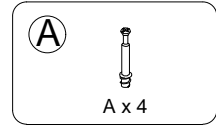
Step 2



x2

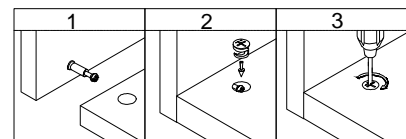
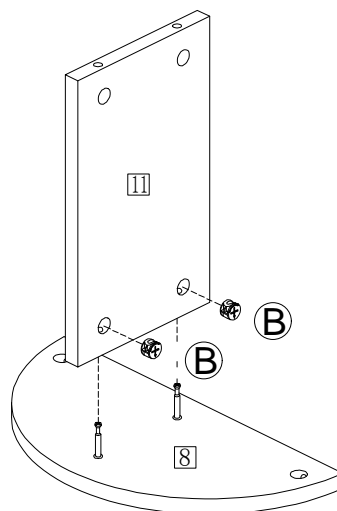
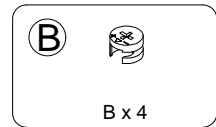
Assembly Instructions

Step 3



x2

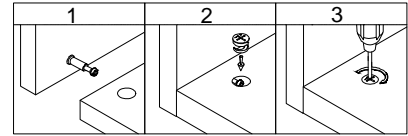
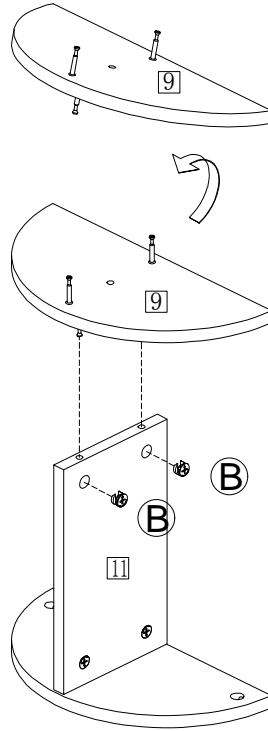
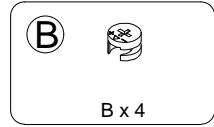
Step 4



x2

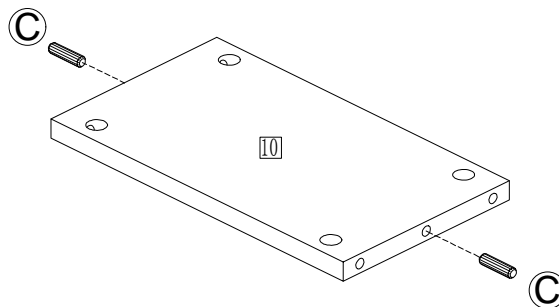
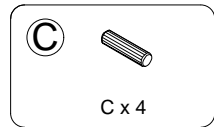
Assembly Instructions

Step 5



x2

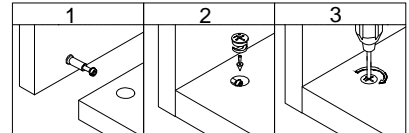
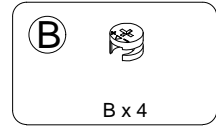
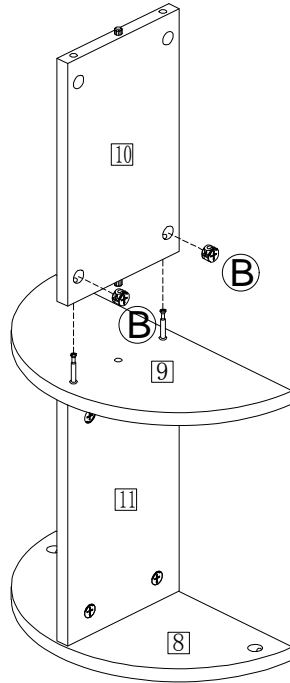
Step 6



x2

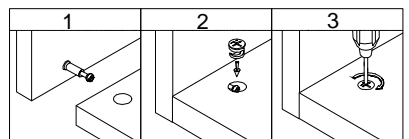
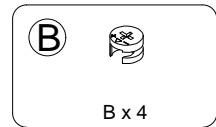
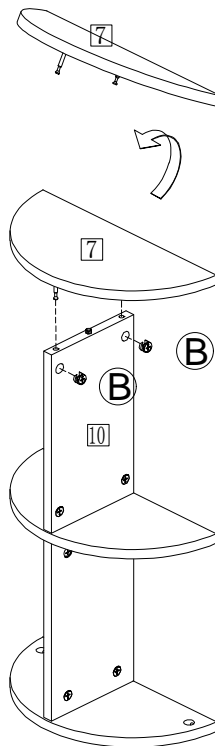
Assembly Instructions

Step 7



x2

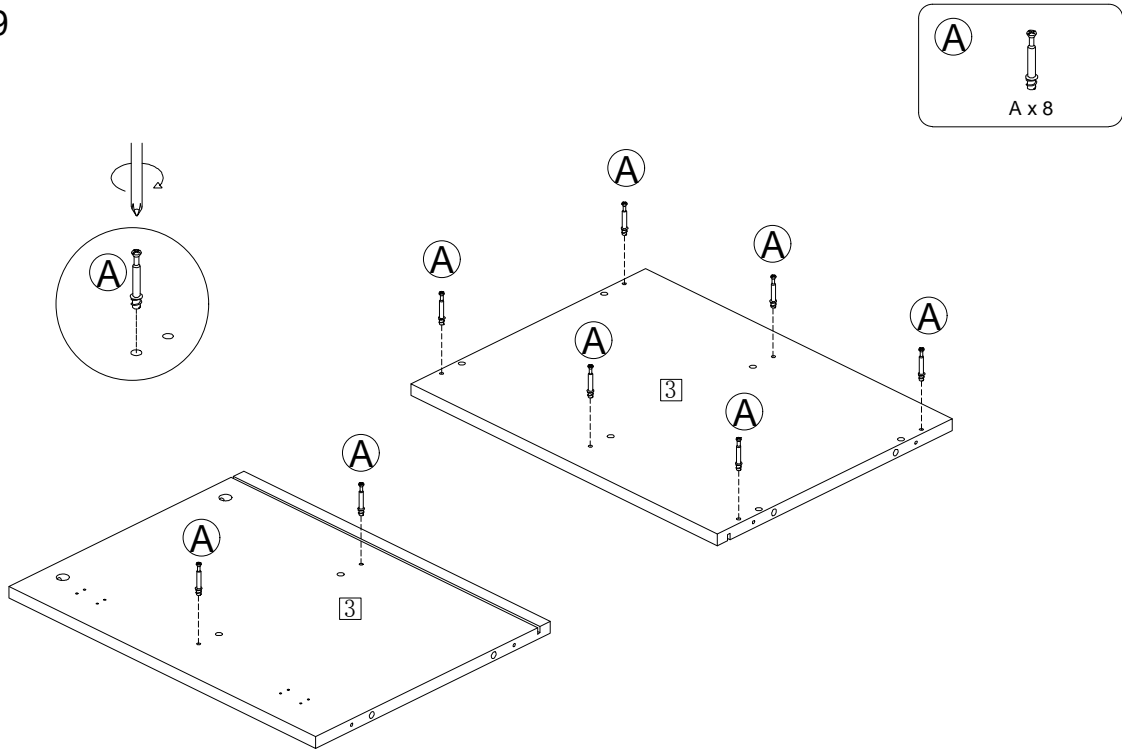
Step 8



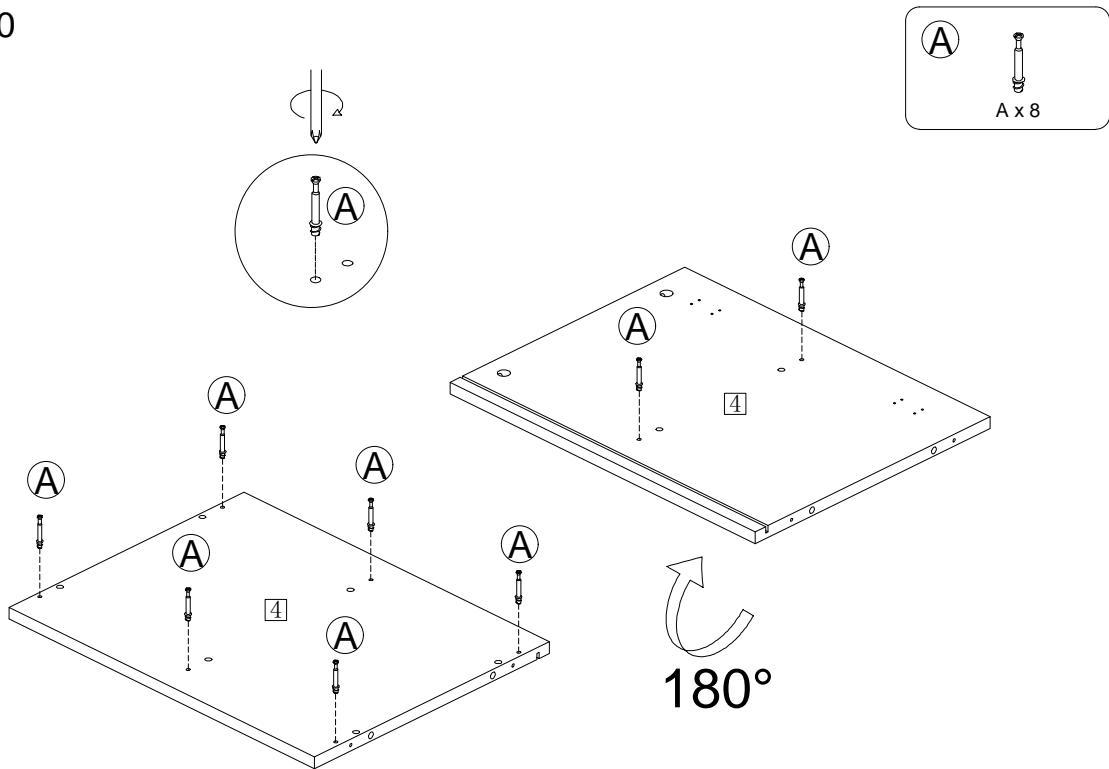
x2

Assembly Instructions

Step 9

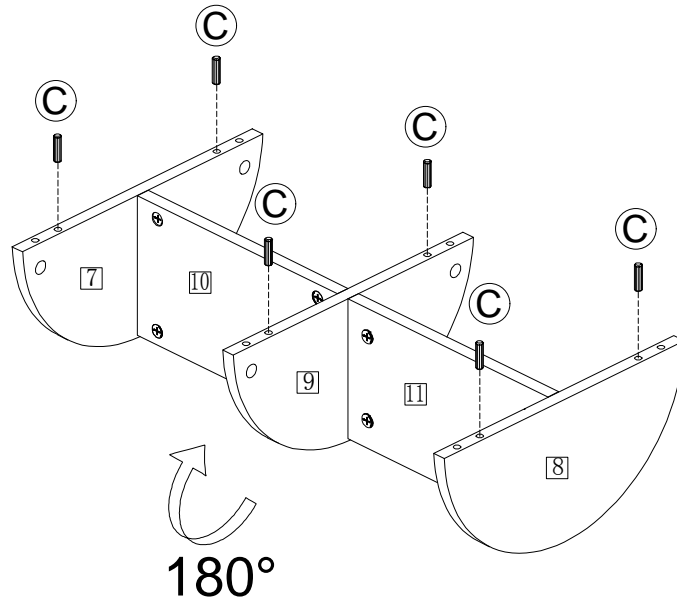
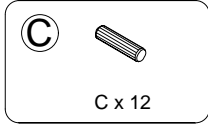


Step 10



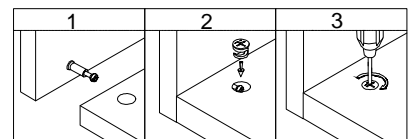
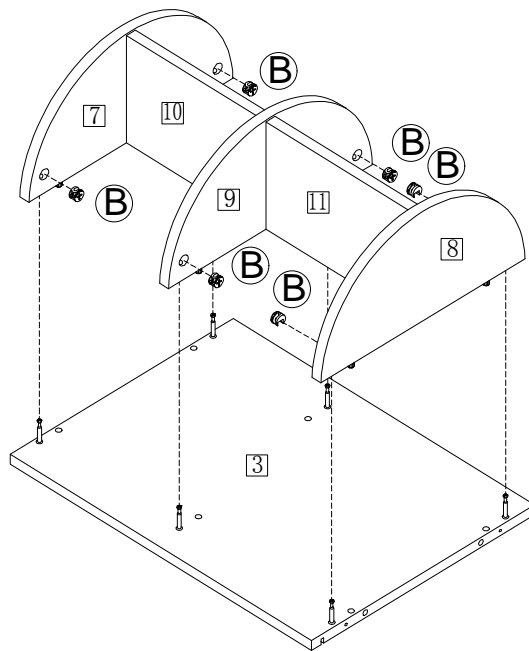
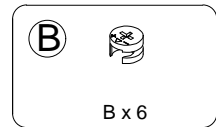
Assembly Instructions

Step 11



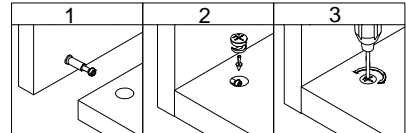
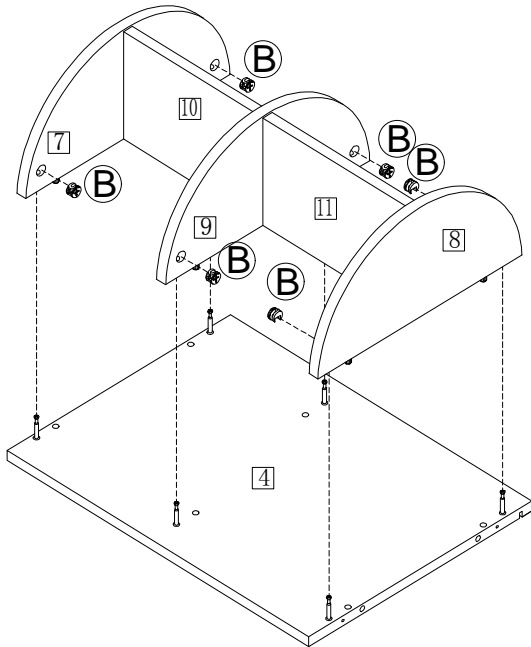
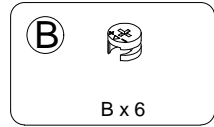
x2

Step 12

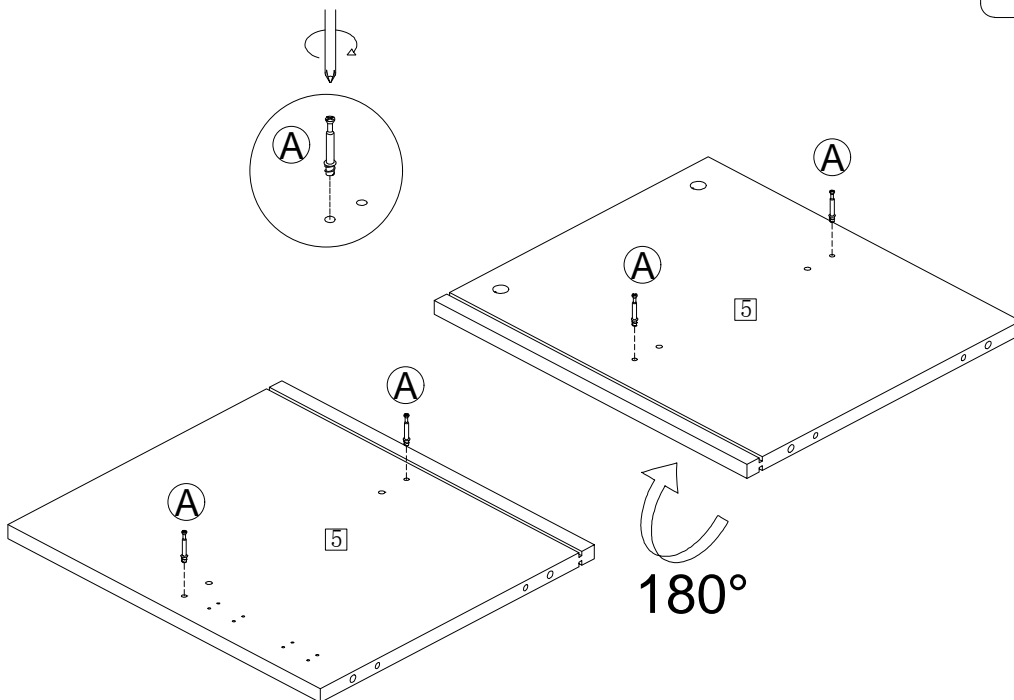
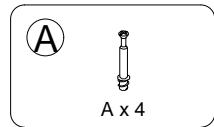


Assembly Instructions

Step 13

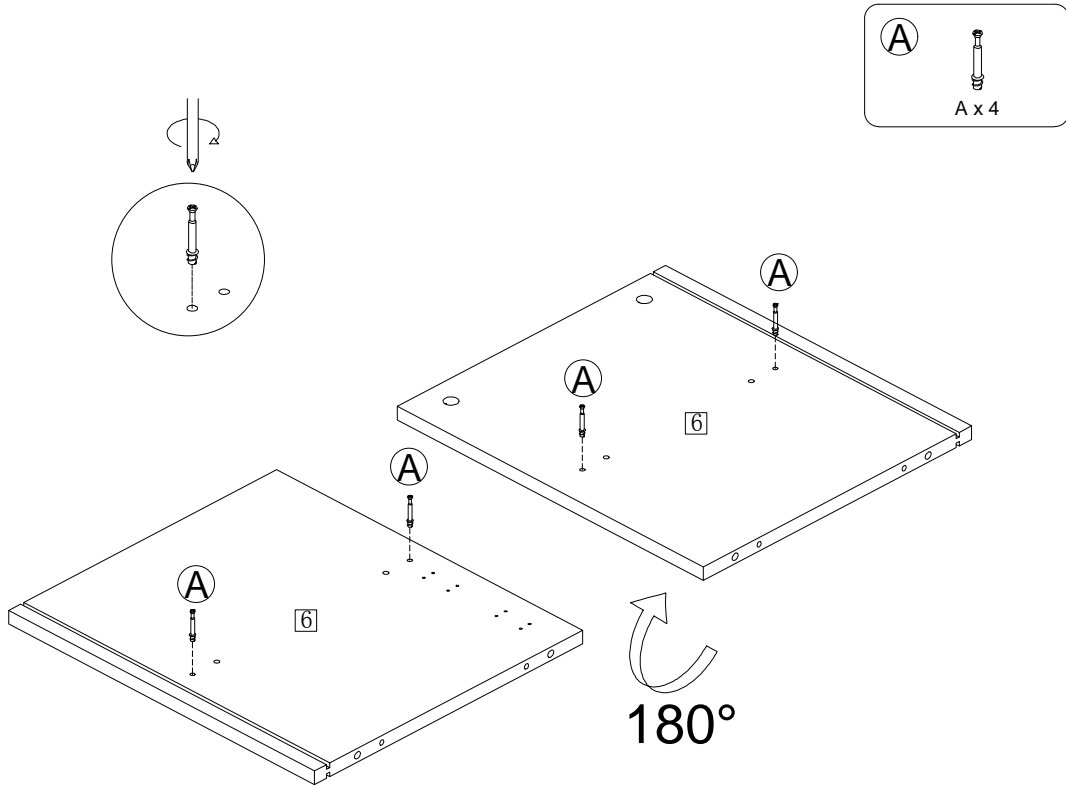


Step 14

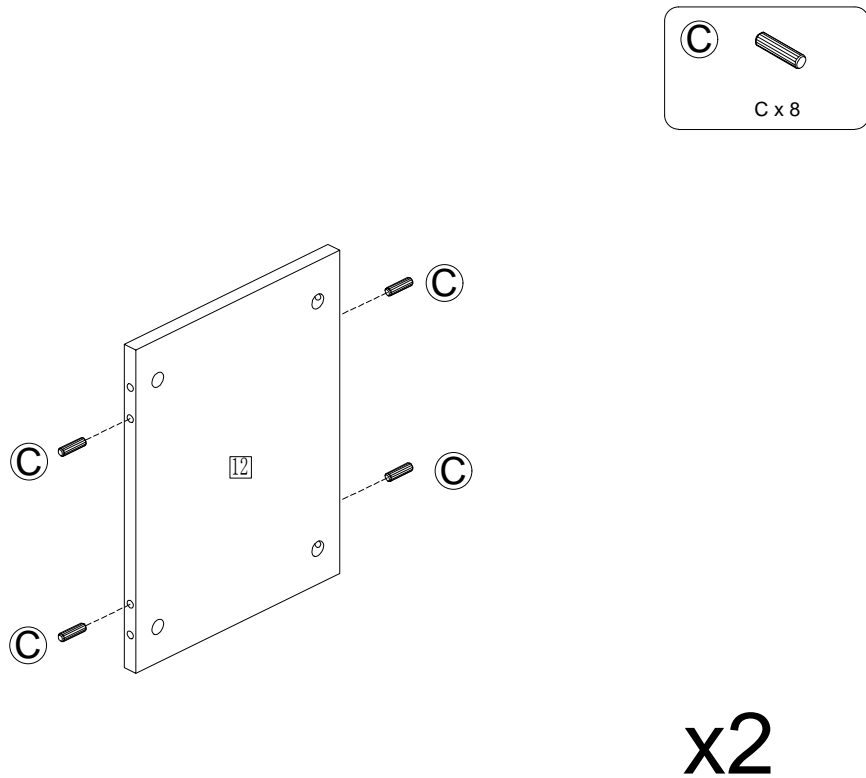


Assembly Instructions

Step 15



Step 16

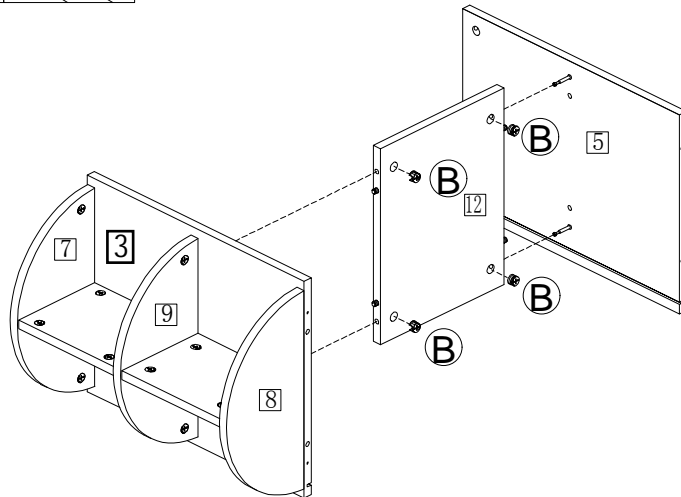
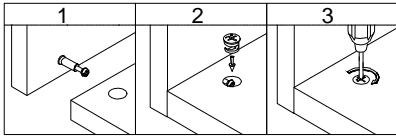


Assembly Instructions

Step 17



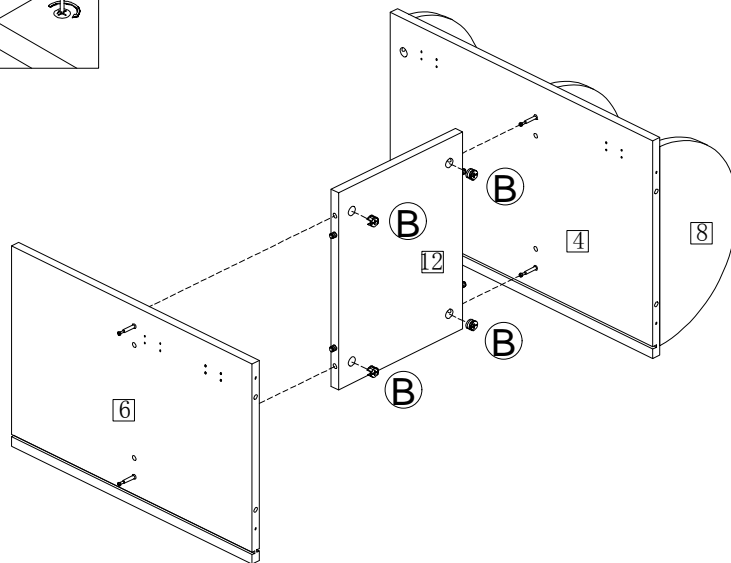
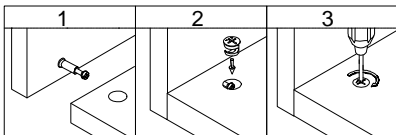
B x 4



Step 18

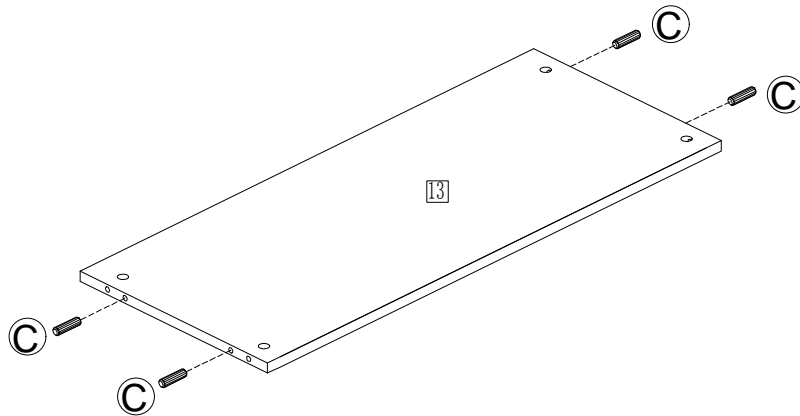
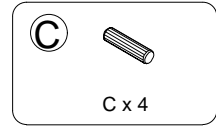


B x 4

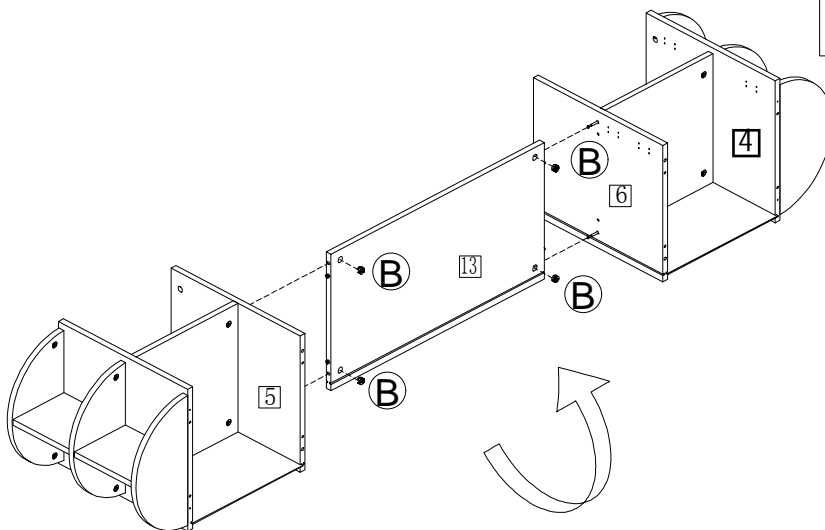
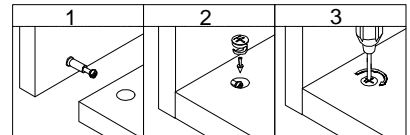
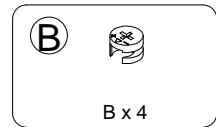


Assembly Instructions

Step 19

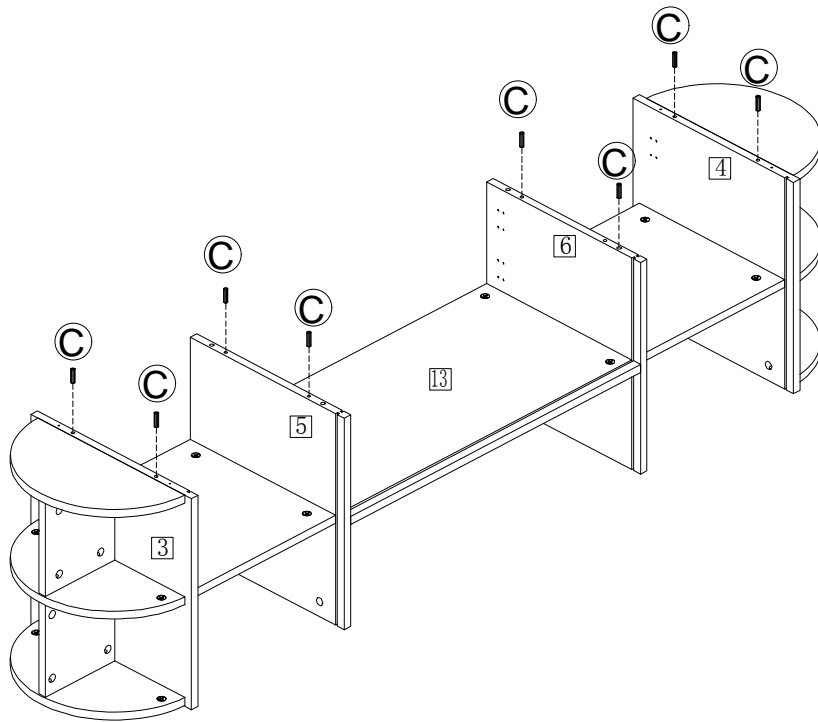


Step 20

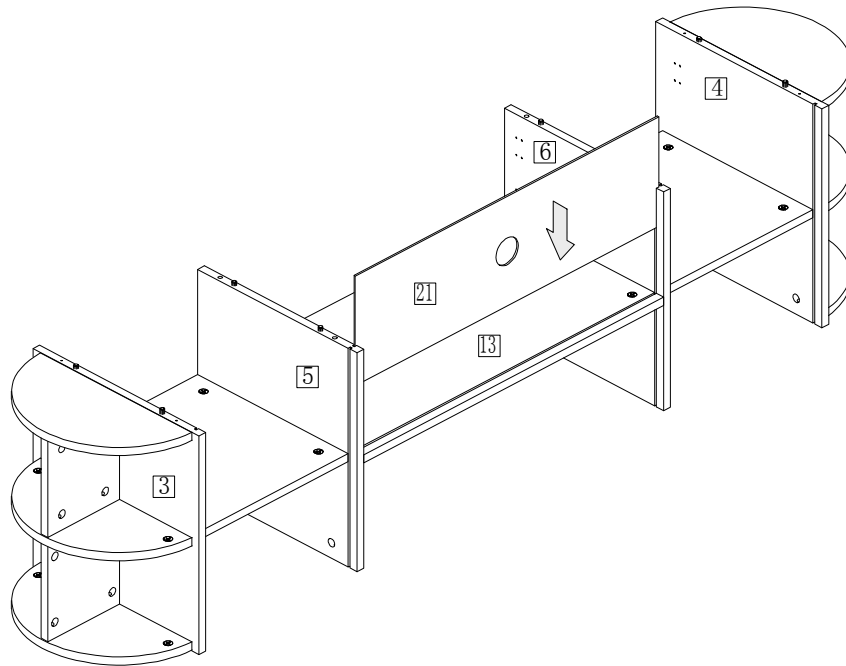


Assembly Instructions

Step 21

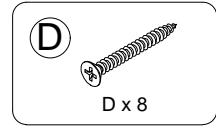
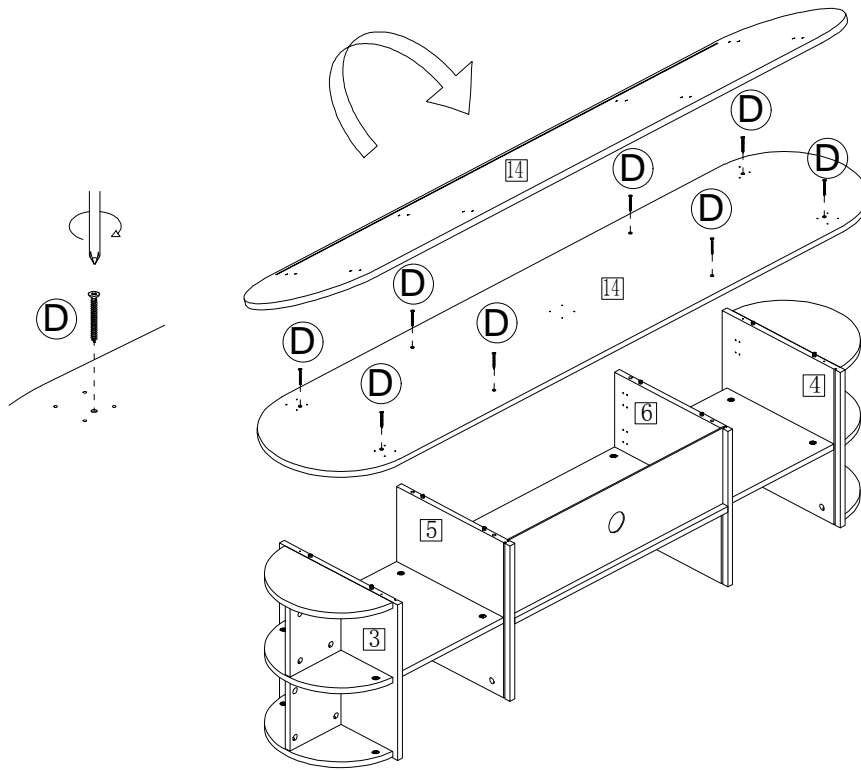


Step 22

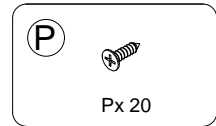
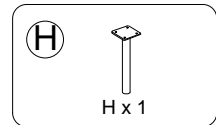
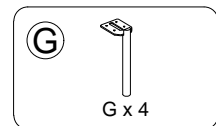
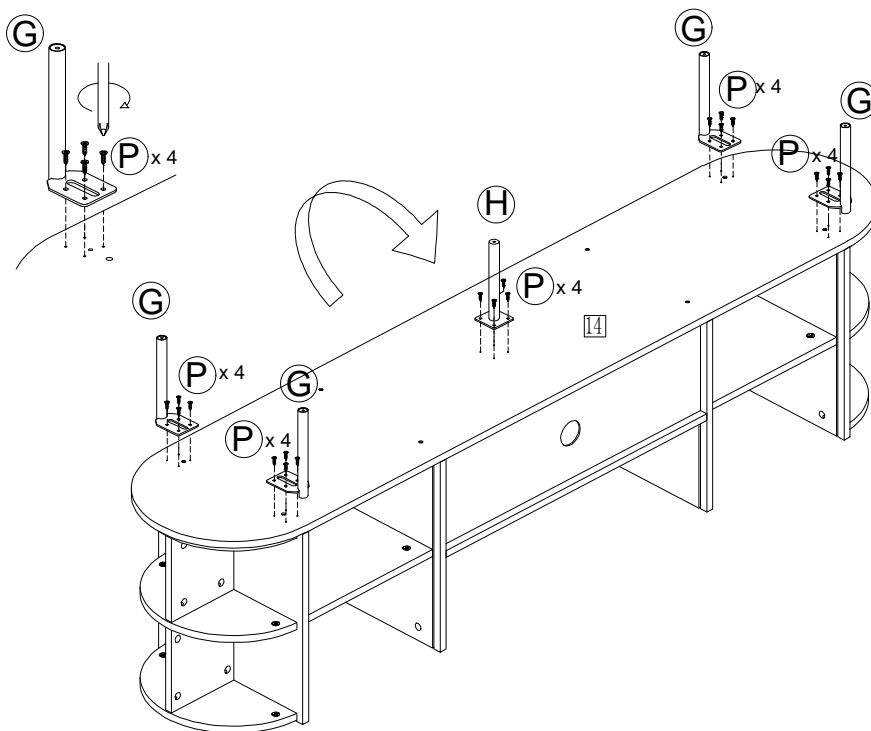


Assembly Instructions

Step 23

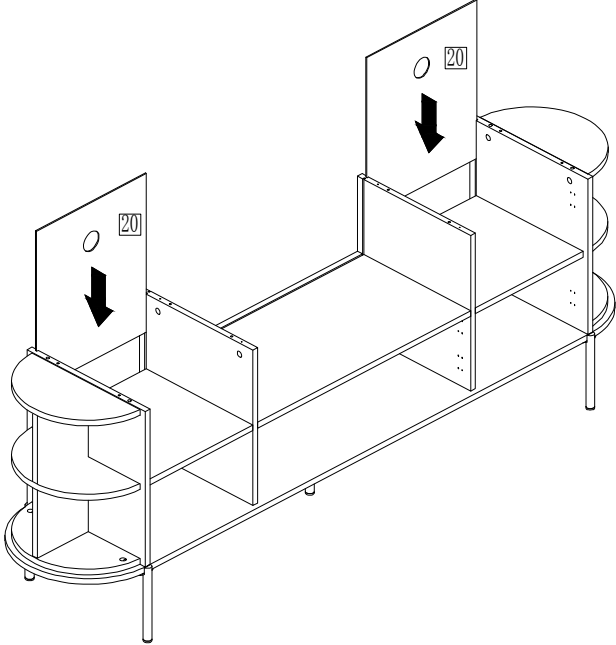


Step 24

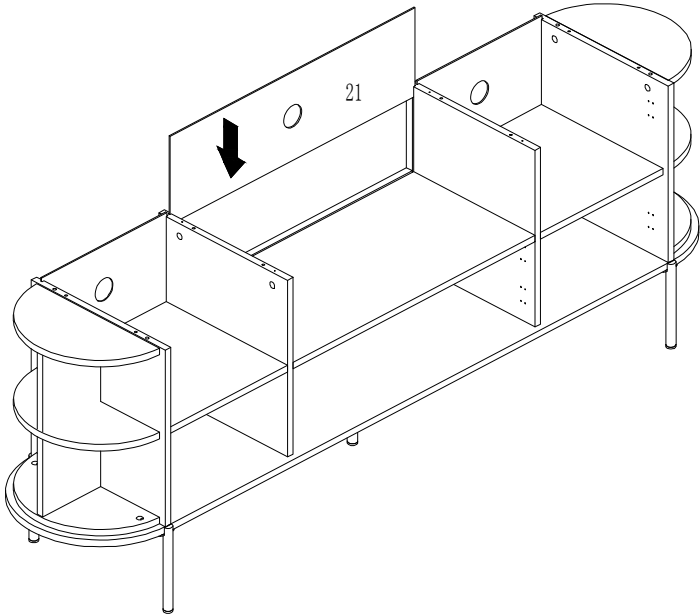


Assembly Instructions

Step 25

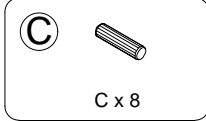
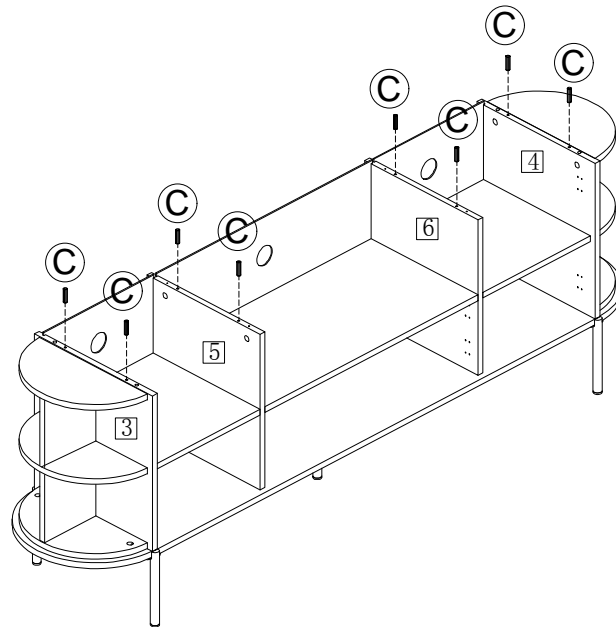


Step 26

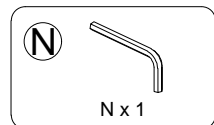
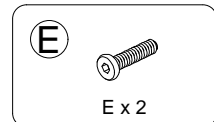
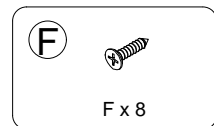
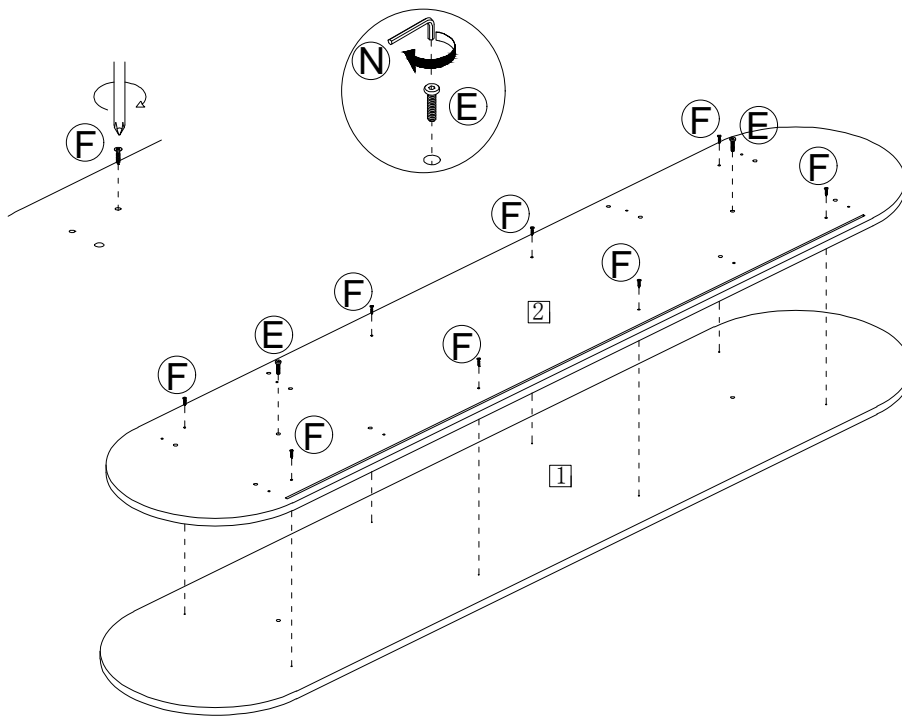


Assembly Instructions

Step 27

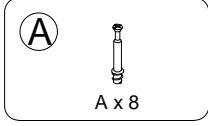
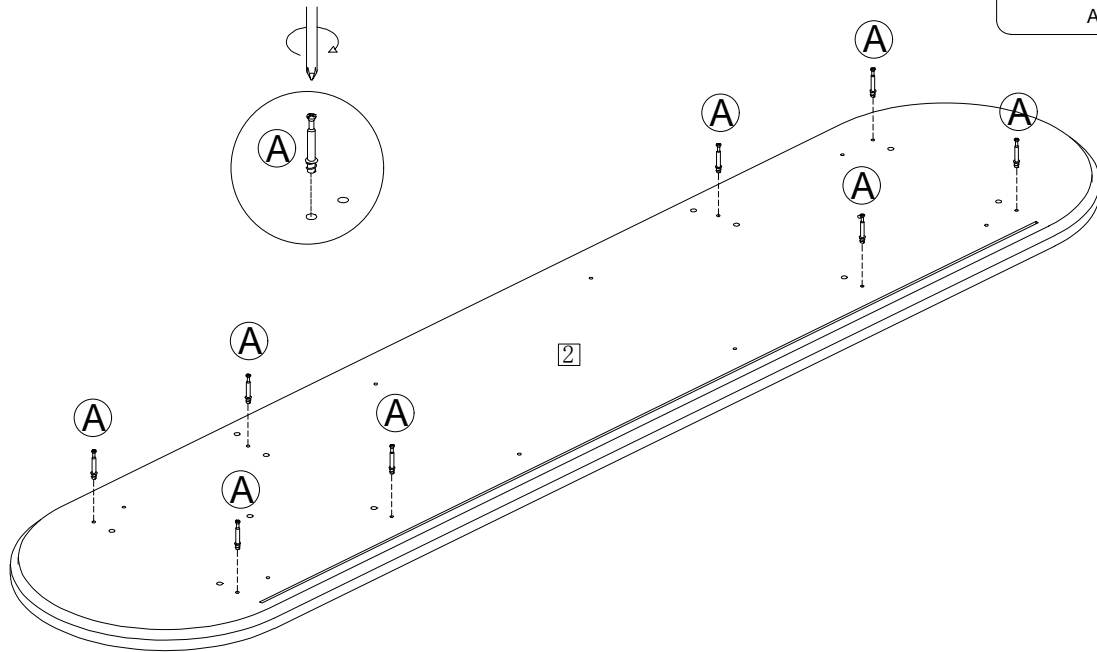


Step 28

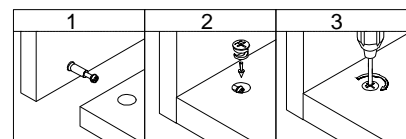
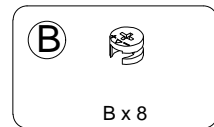
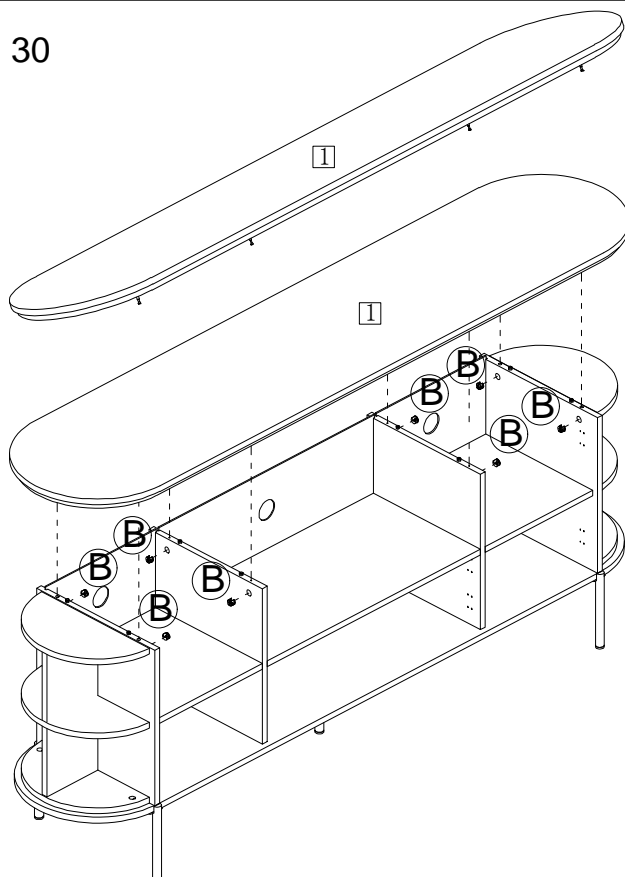


Assembly Instructions

Step 29

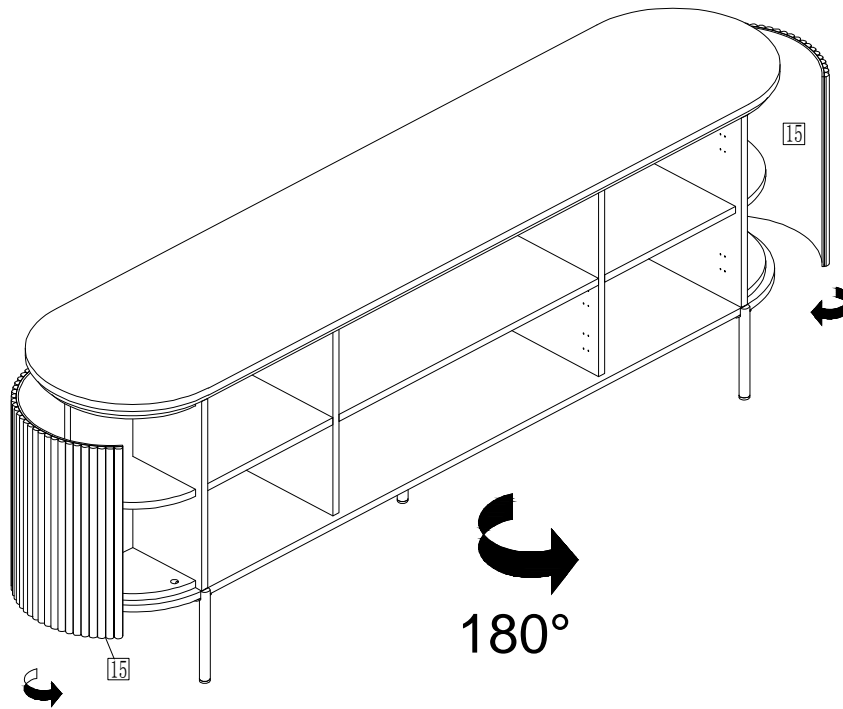


Step 30

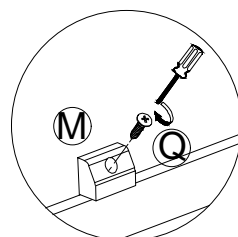
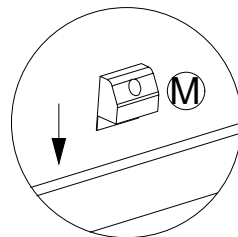
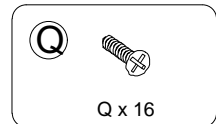
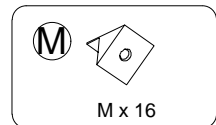
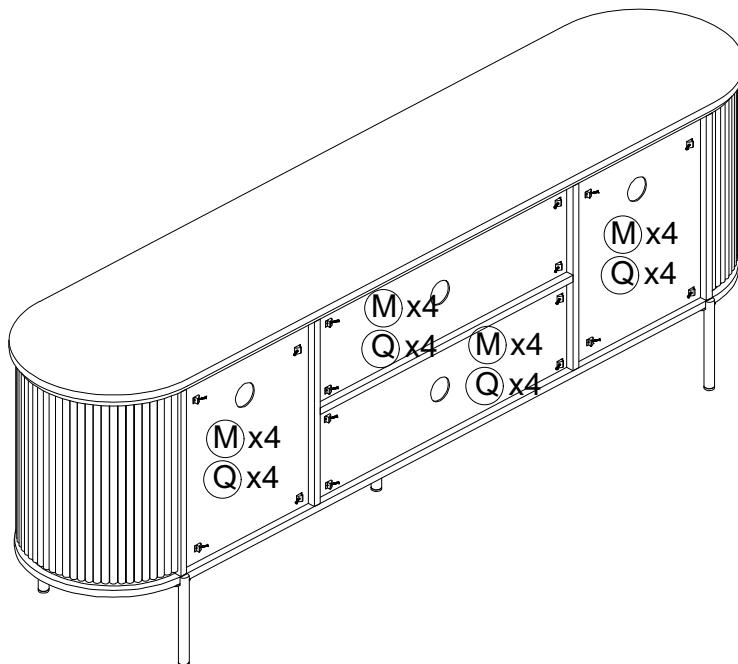


Assembly Instructions

Step 31

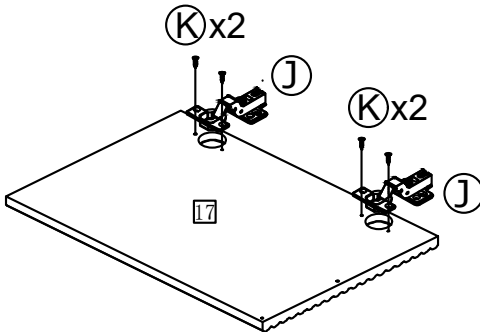
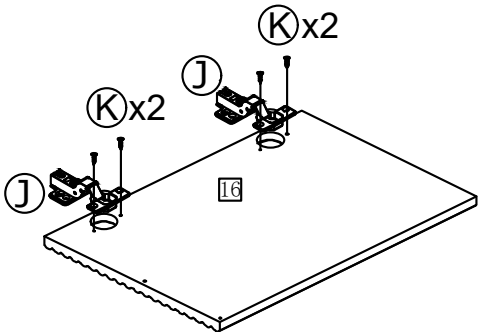
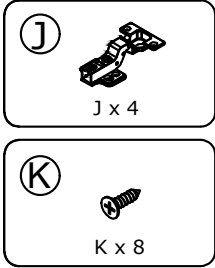


Step 32

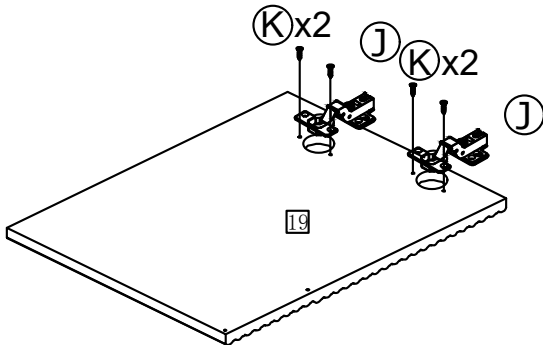
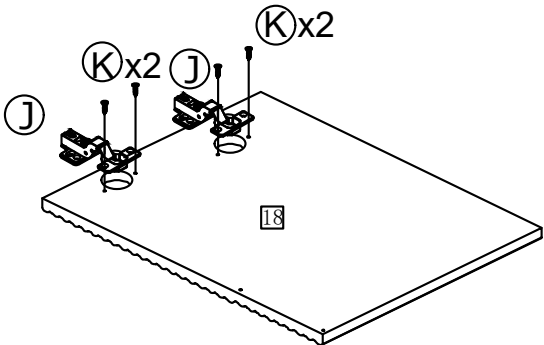
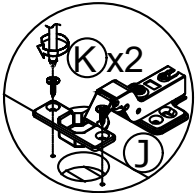
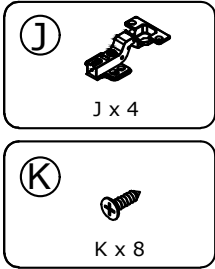


Assembly Instructions

Step 33

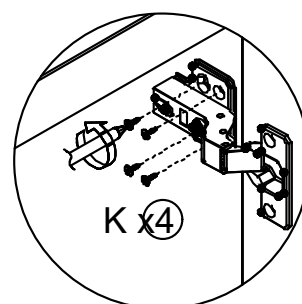
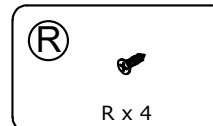
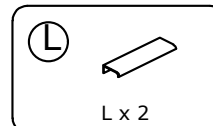
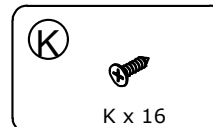
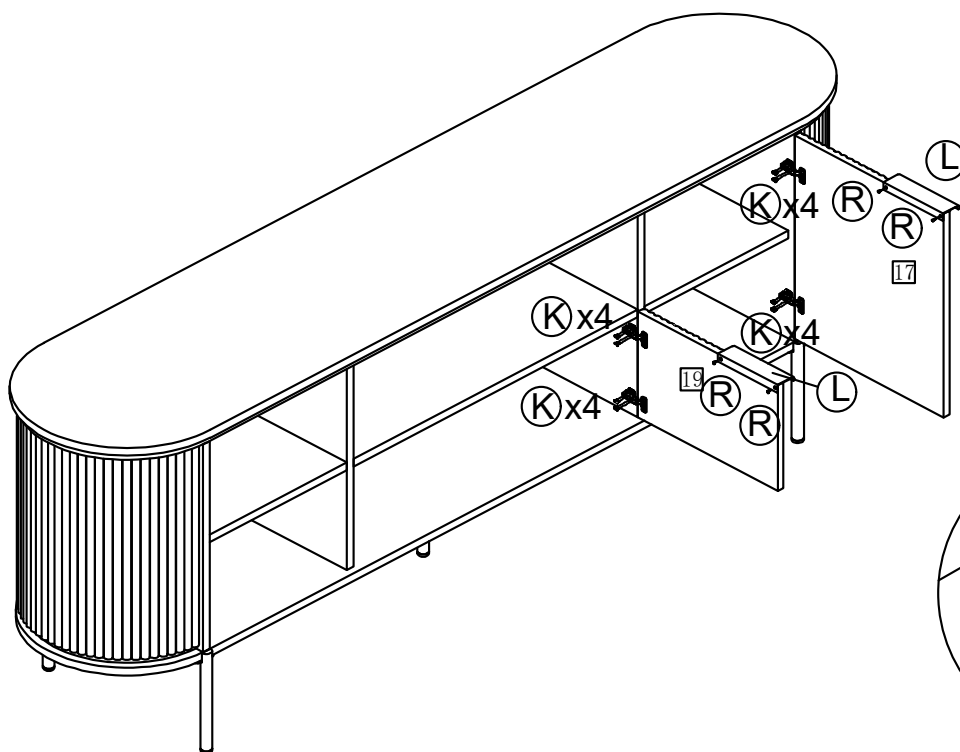


Step 34

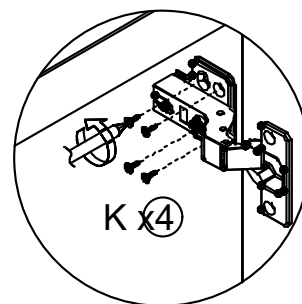
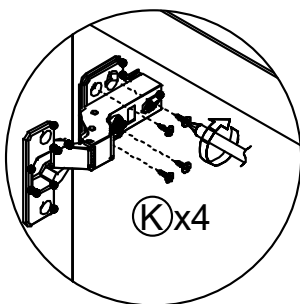
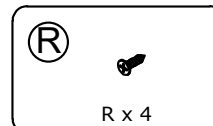
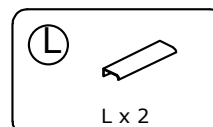
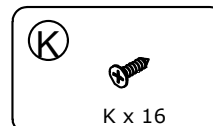
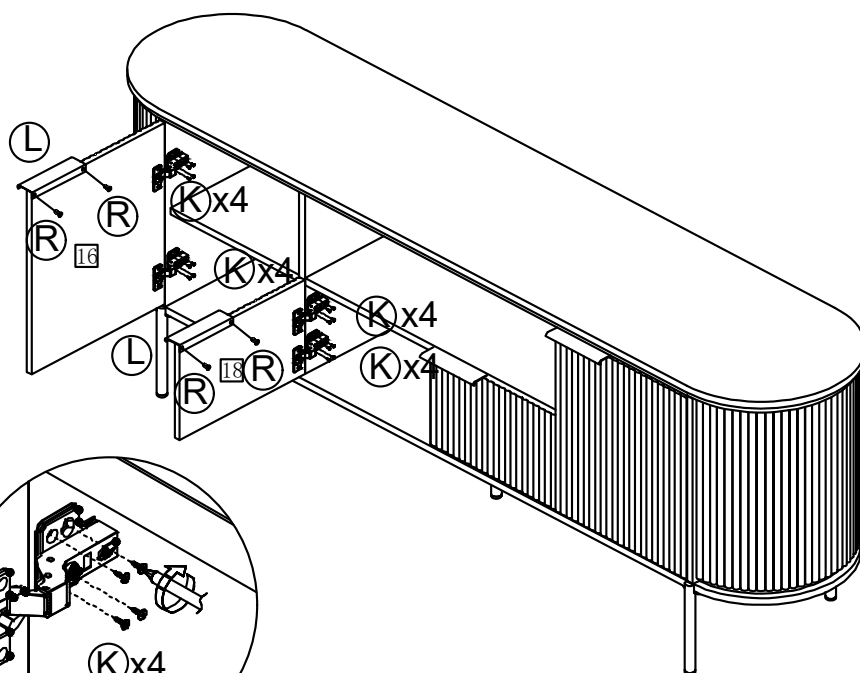


Assembly Instructions

Step 35

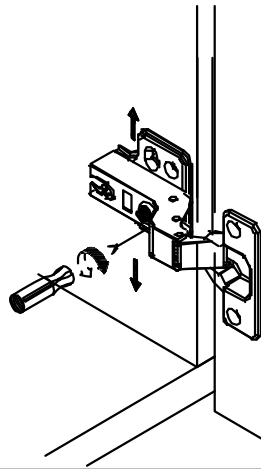
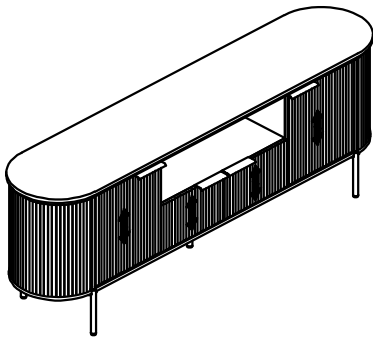
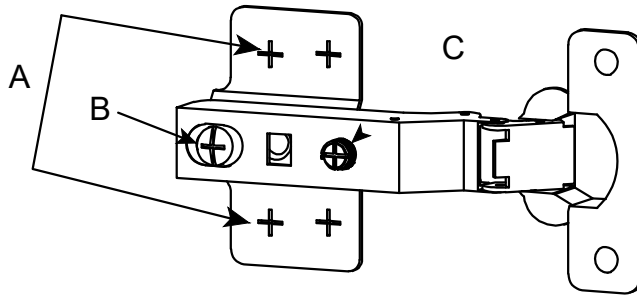


Step 36

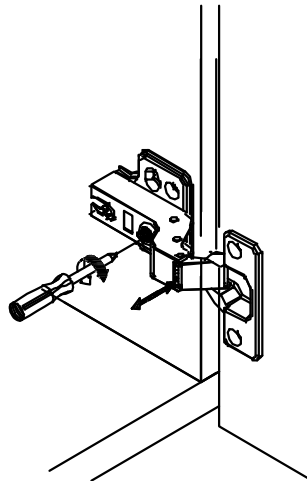
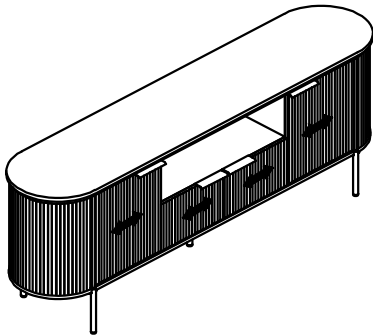


Assembly Instructions

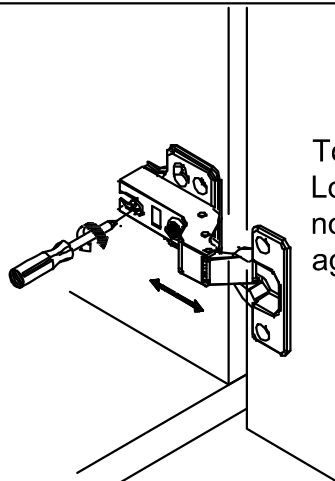
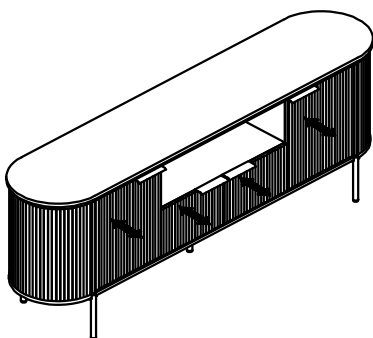
Step 37



To adjust the vertical height.
Loosen the two screws "A" on both hinges.
They are usually in slotted holes which allows
you to adjust up or down by a few mm.
Then tighten back up.



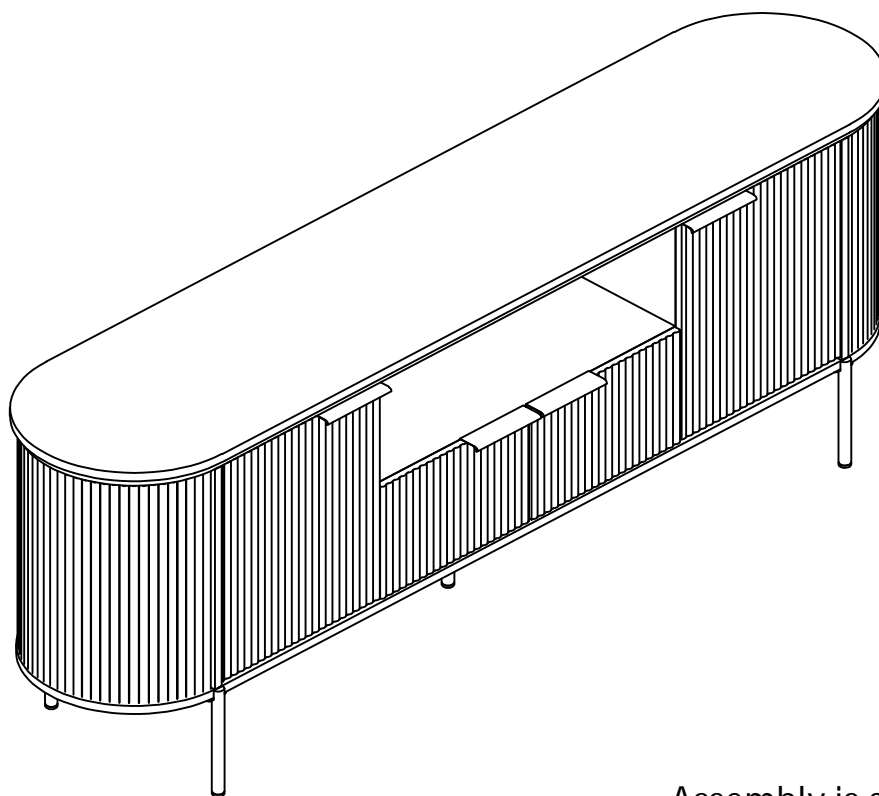
To adjust side ways.
Turning the screw "C" on BOTH hinges on
each door.



To adjust depth
Loosen screw "B" and adjust door, if the door can
not be adjusted, please loosen screw "C", then try
again. Tighten screw "B" and "C".

Assembly Instructions

Step 38



Assembly is complete.