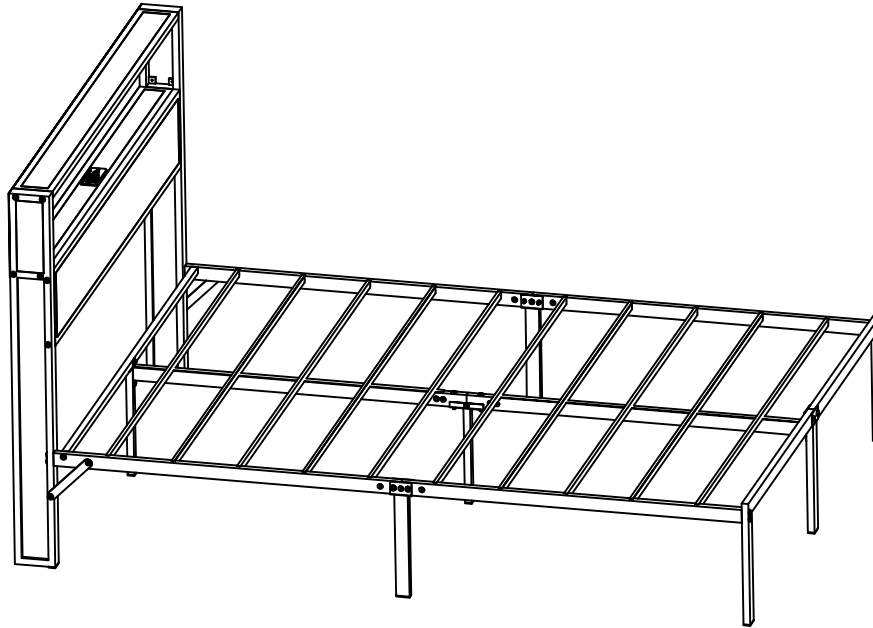
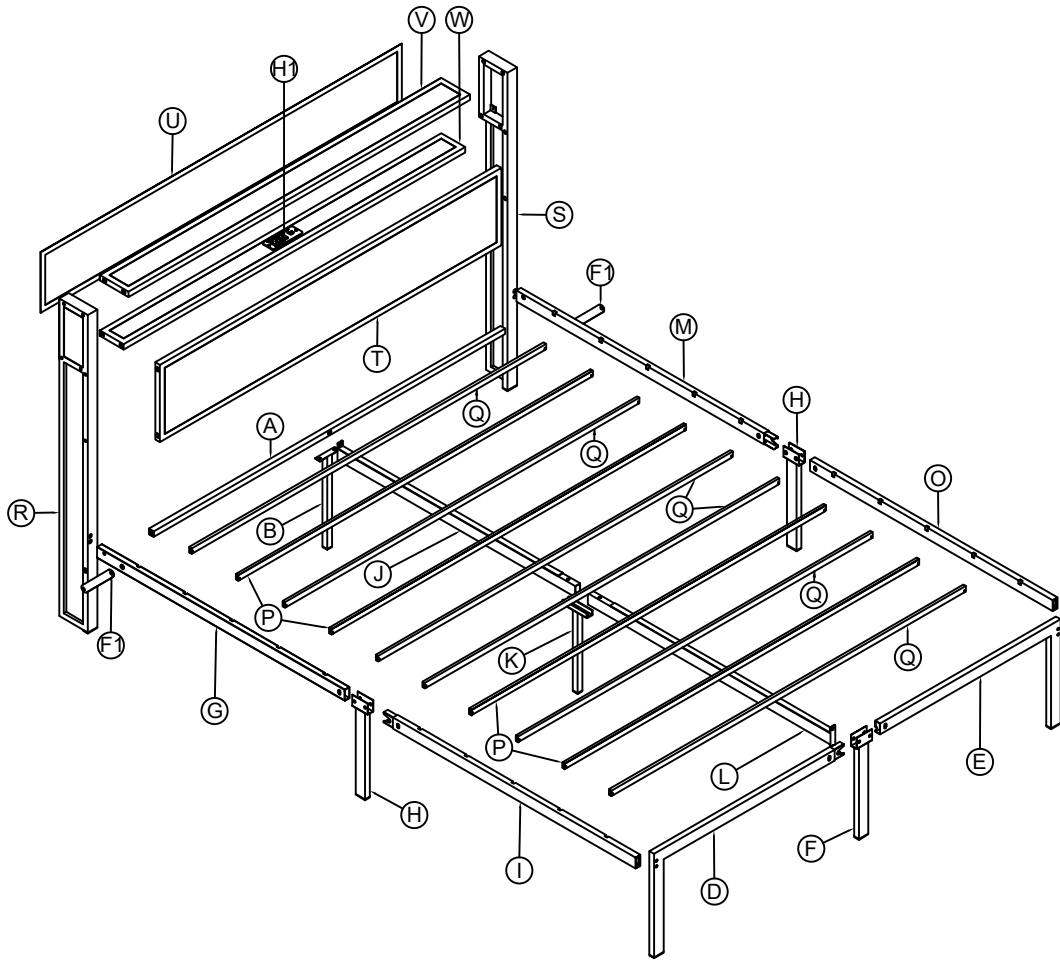


Bed Frame



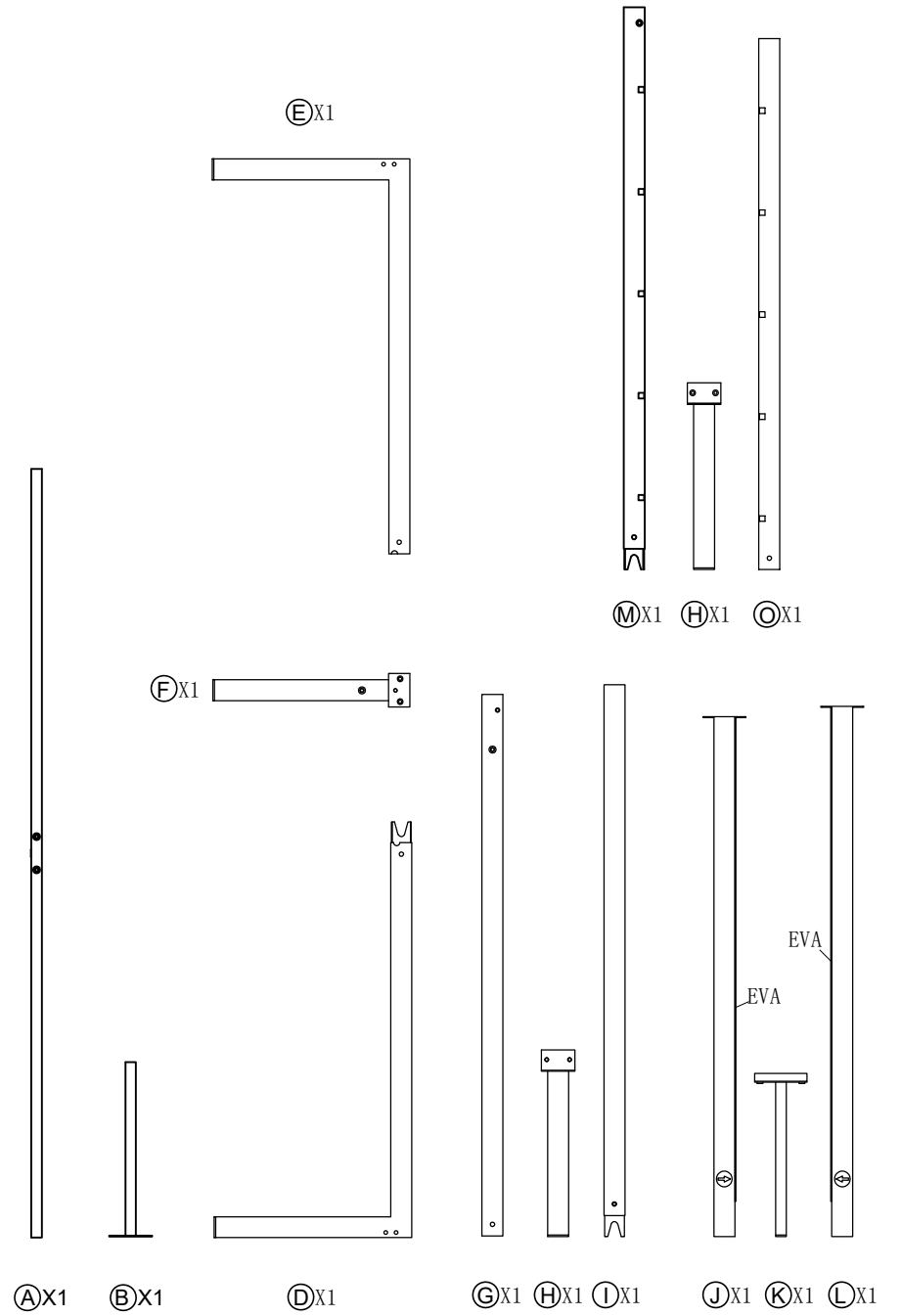
PRODUCT GUIDE AND INSTALLATION MANUAL

Parts List:



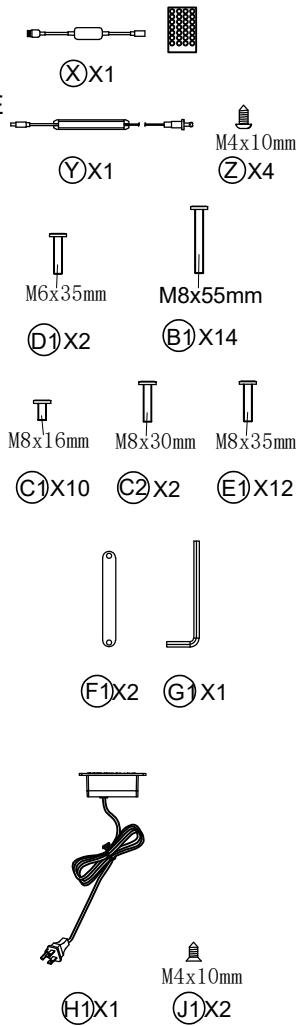
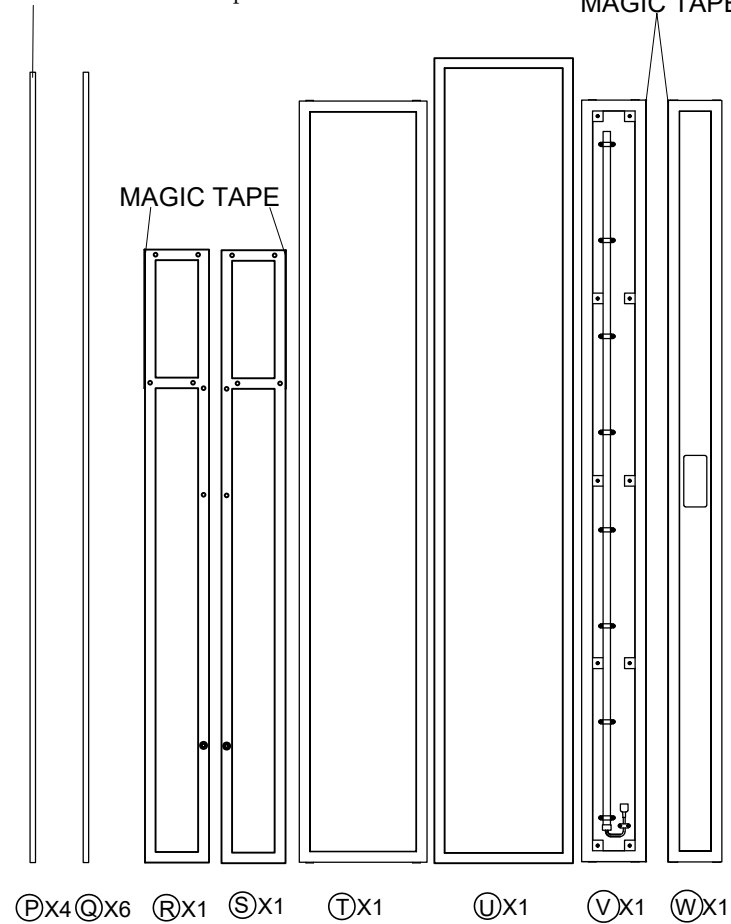
1

2

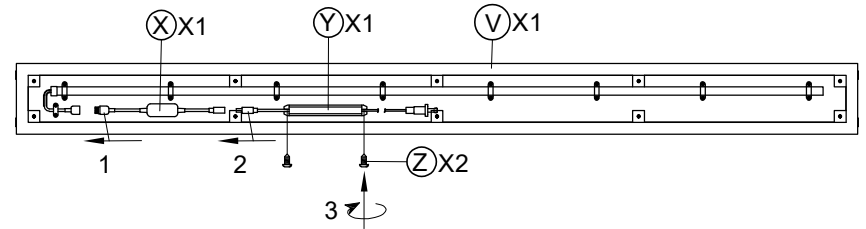


Parts List:

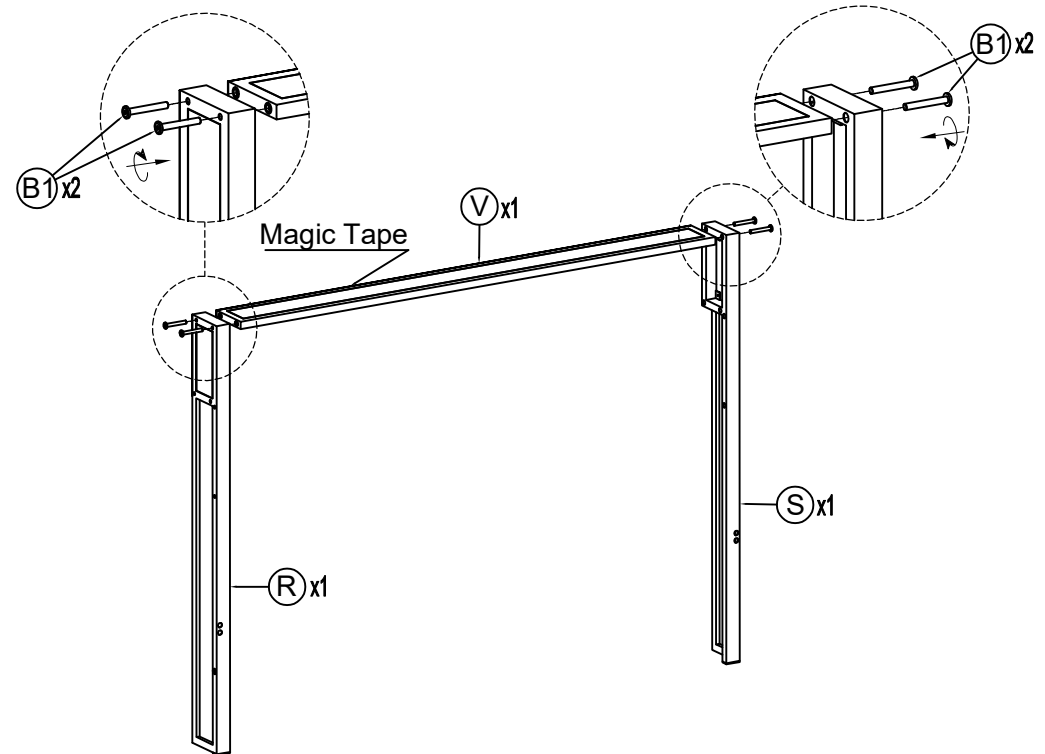
Double-sided tape



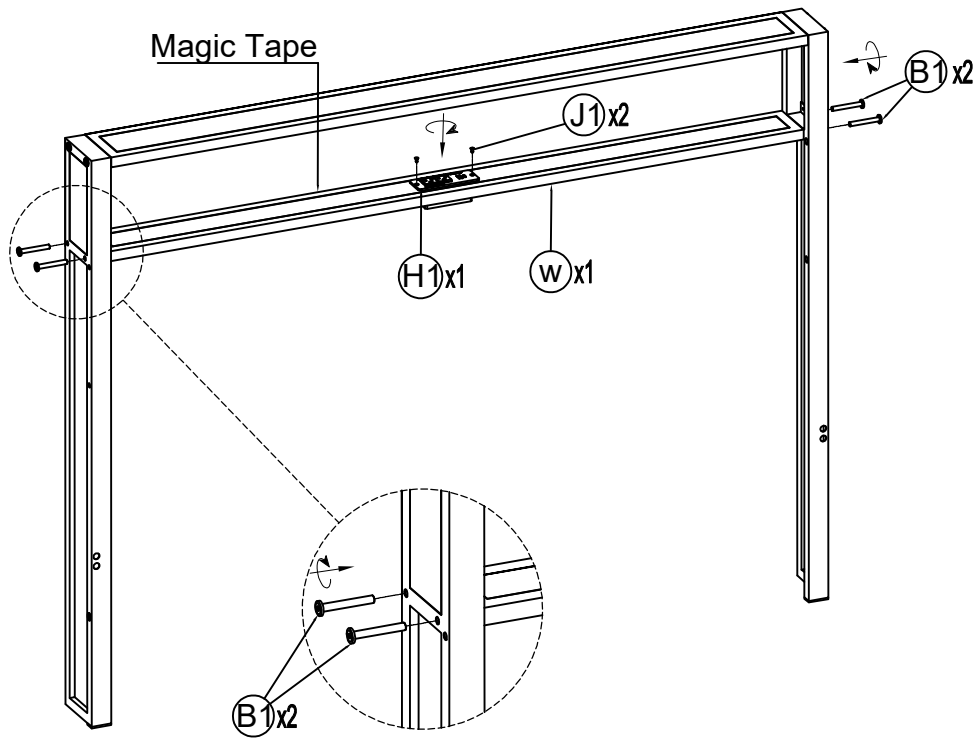
STEP 1



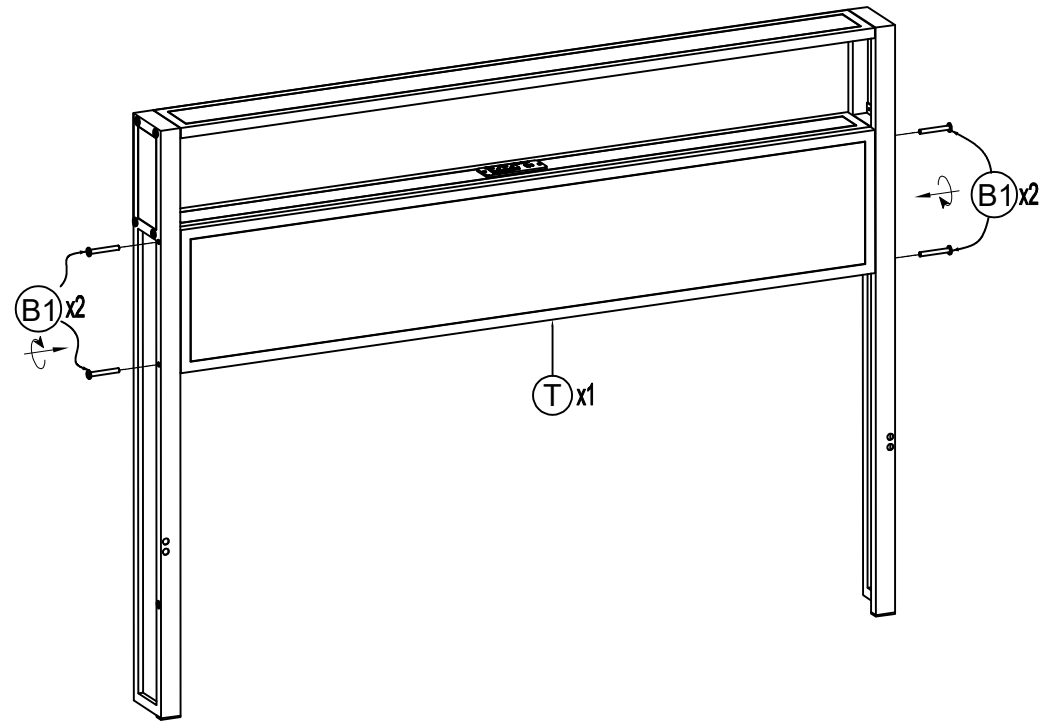
STEP 2



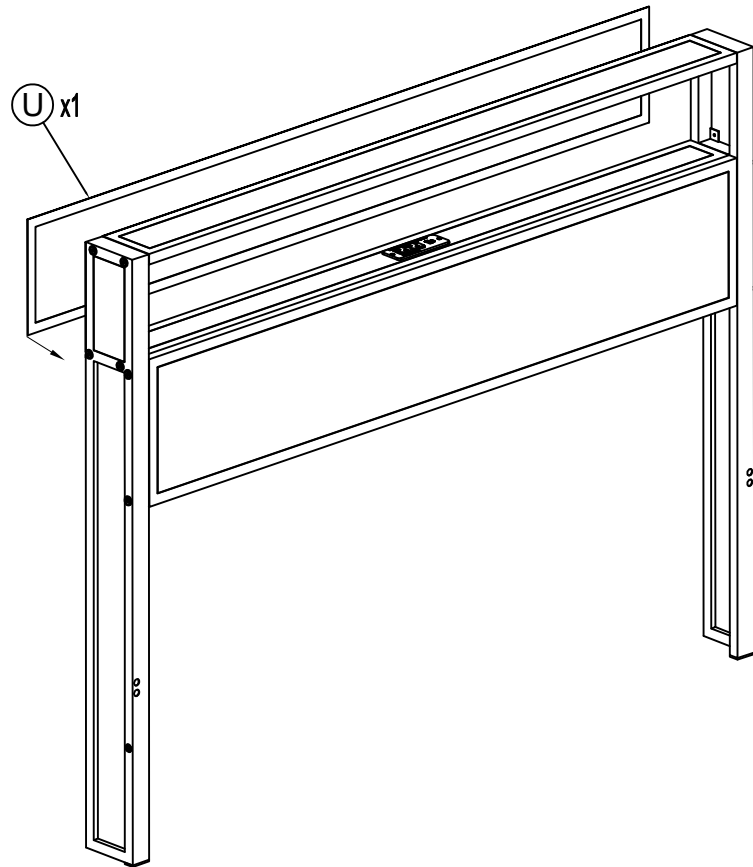
STEP 3



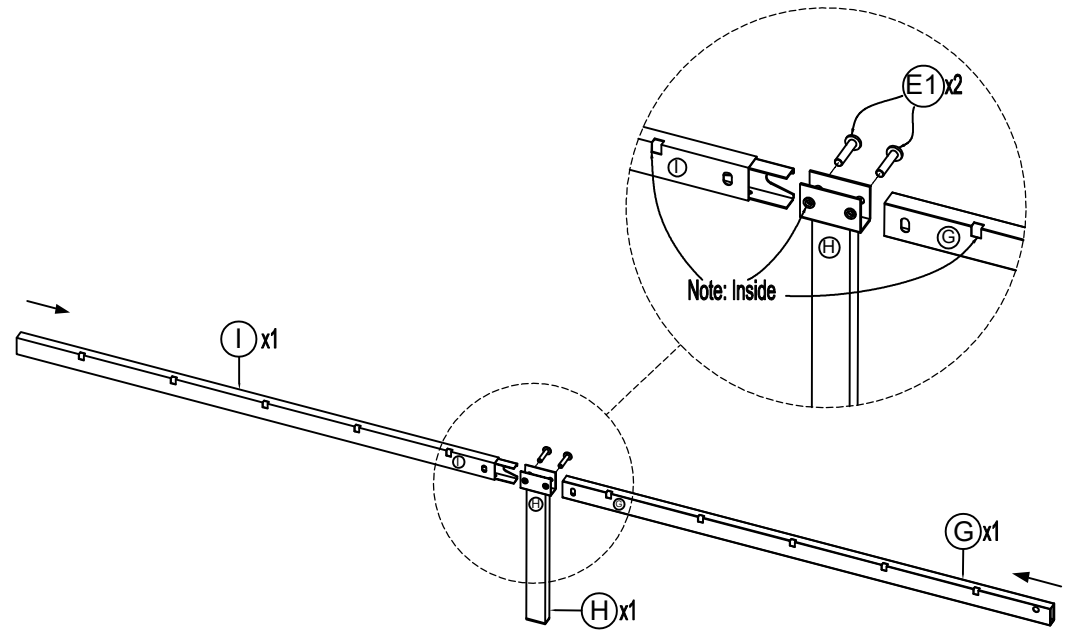
STEP 4



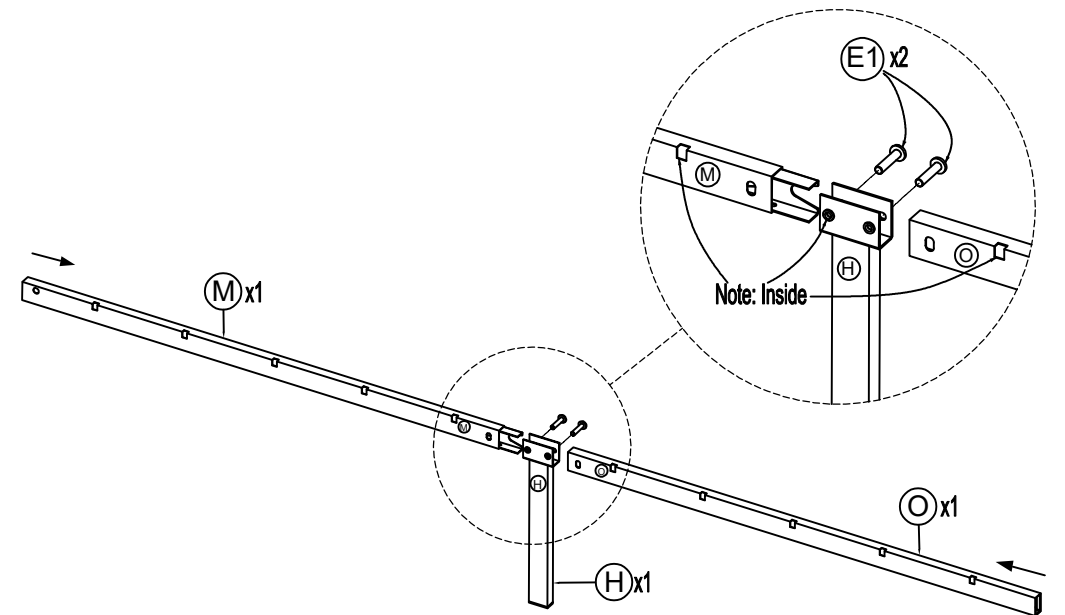
STEP 5



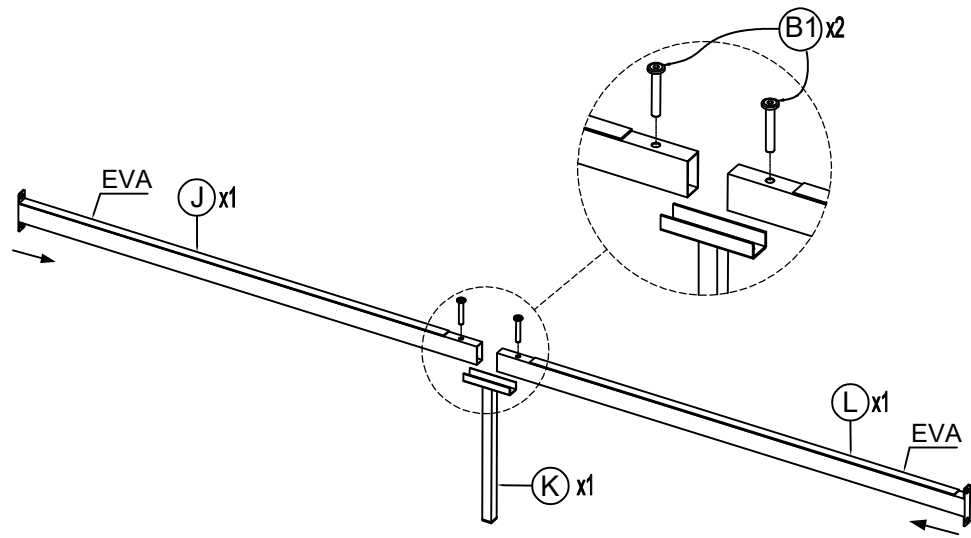
STEP 6



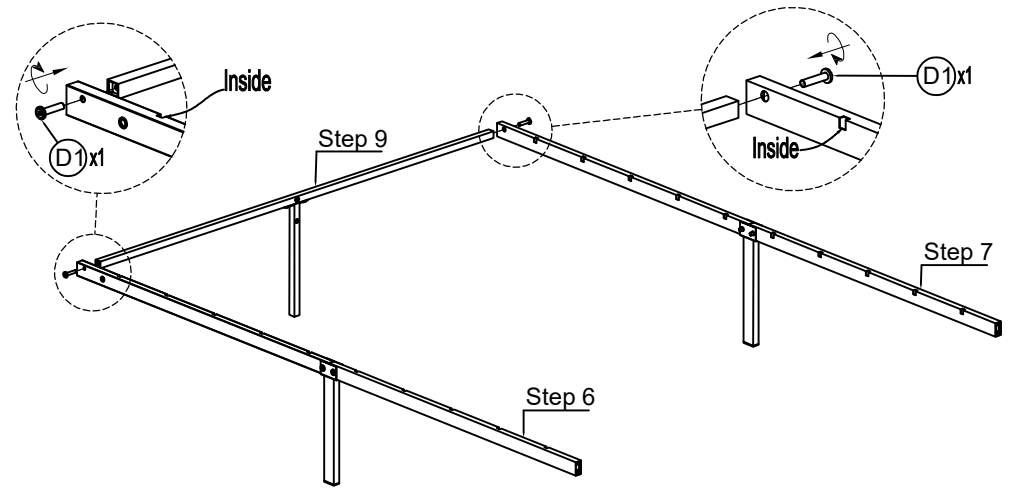
STEP 7



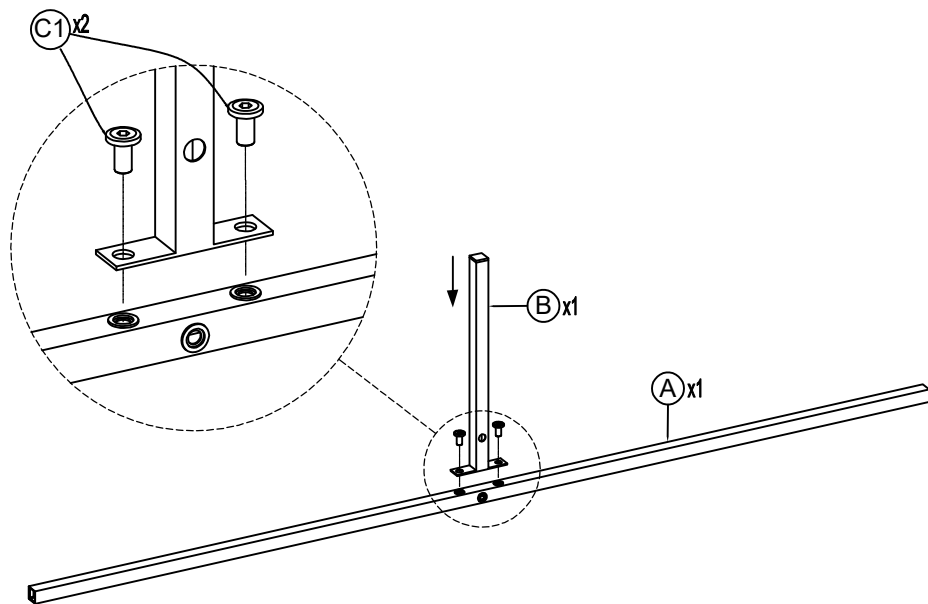
STEP 8



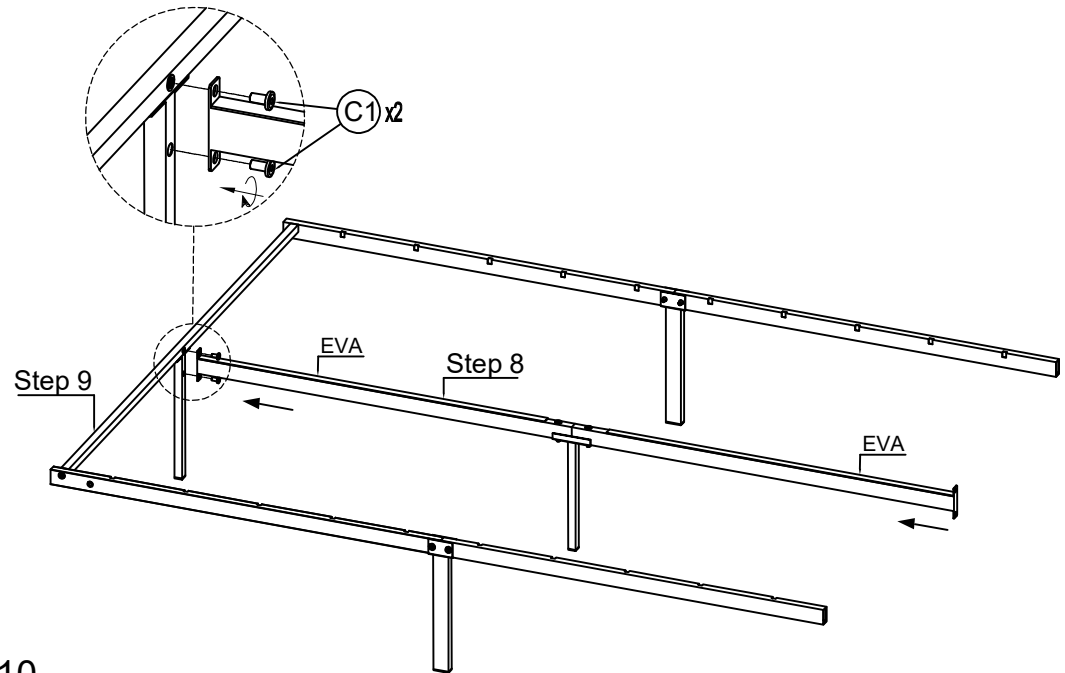
STEP 10



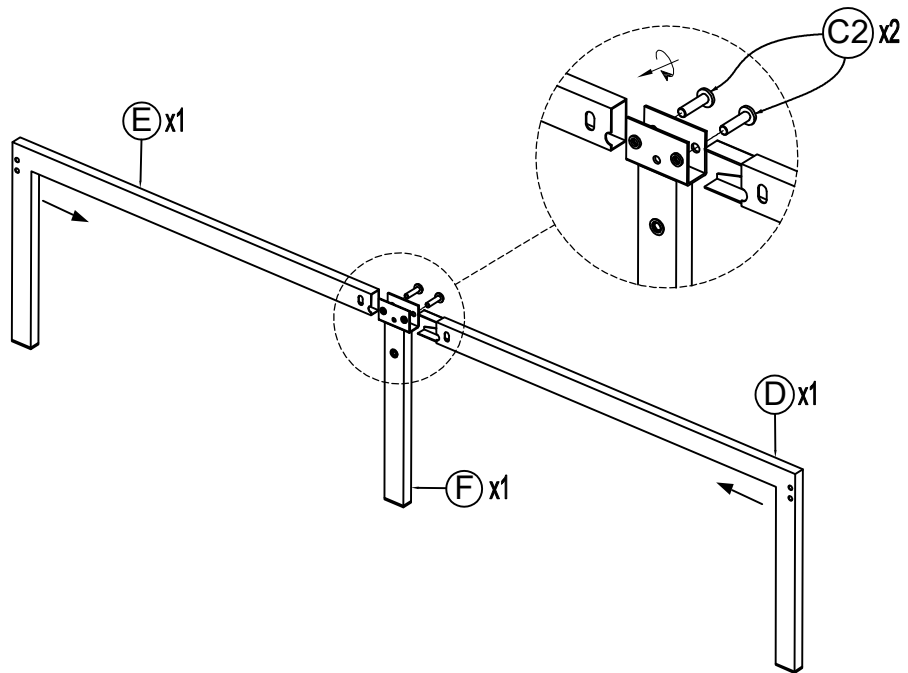
STEP 9



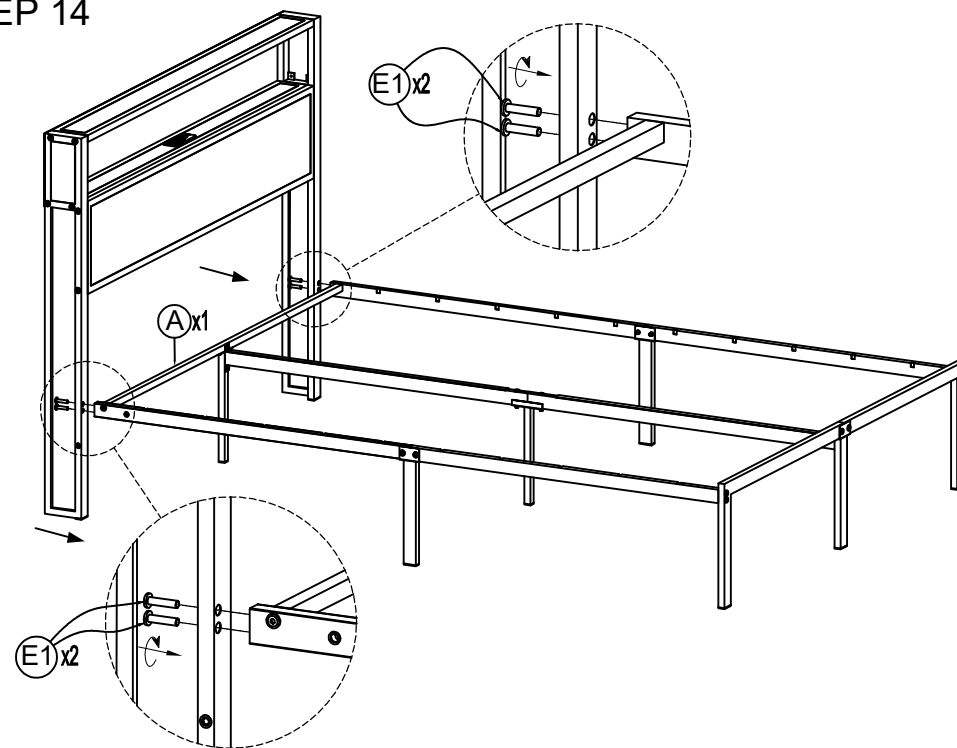
STEP 11



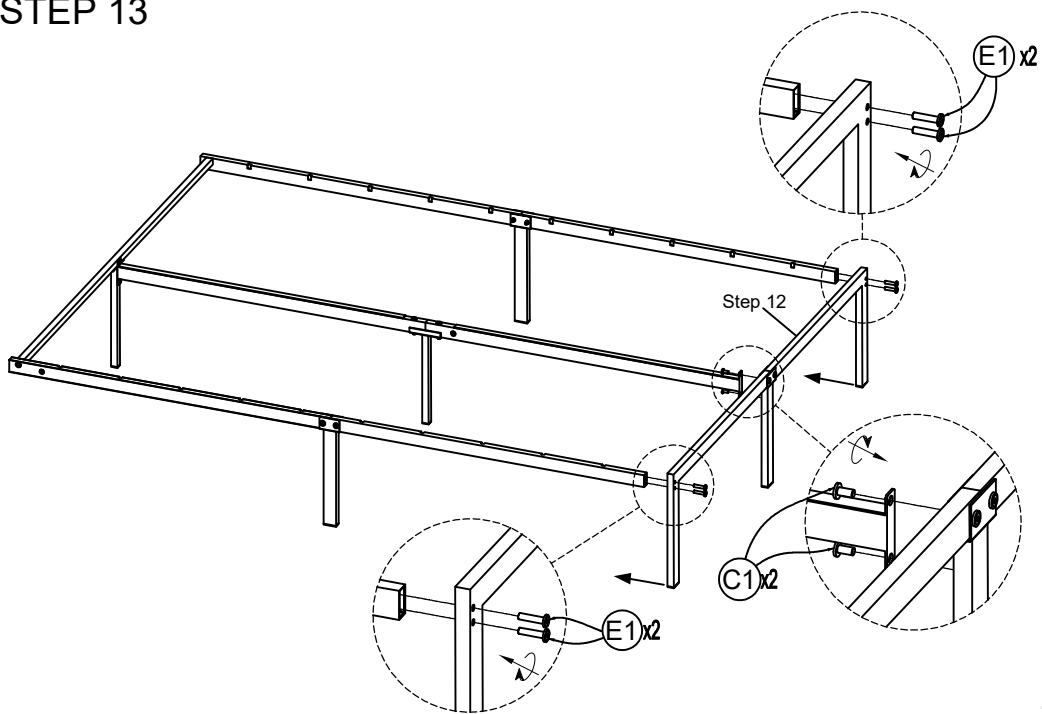
STEP 12



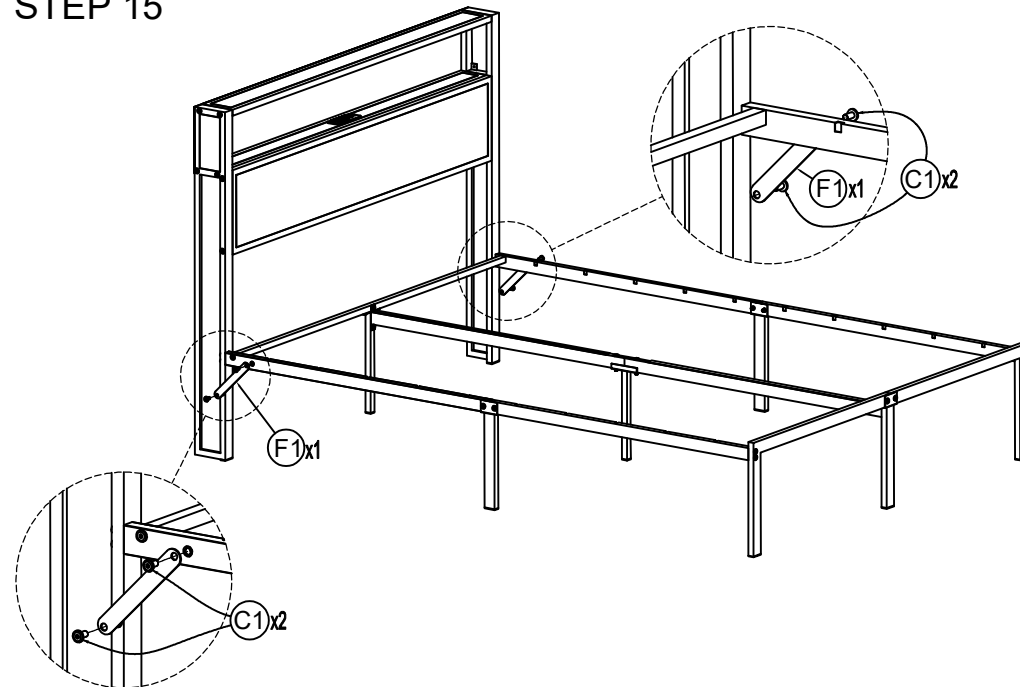
STEP 14



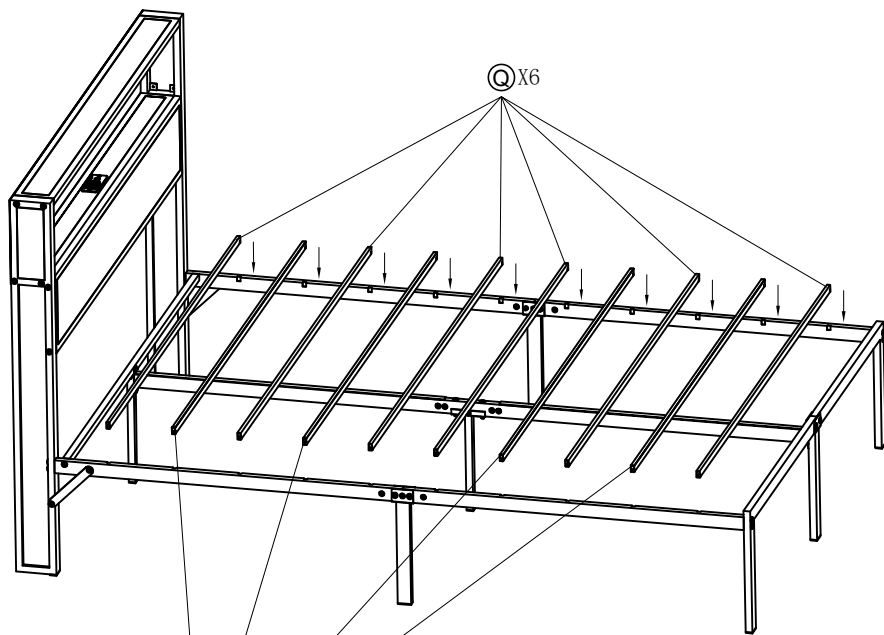
STEP 13



STEP 15



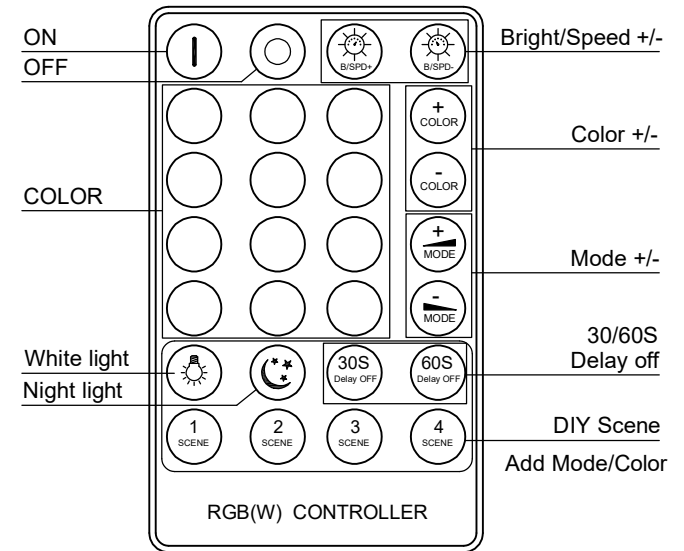
STEP 16



P X4

Tear off the double-sided adhesive tape before place the mattress.

RGB(W) CONTROLLER



NO.	Dynamic modes	NO.	Dynamic modes
1	W+Red	7	3 colors jump
2	W+Green	8	3 colors fade
3	W+Blue	9	7 colors jump
4	W+Yellow	10	7 colors fade
5	W+Purple	11	Full colors fade
6	W+Cyan		