

Audo

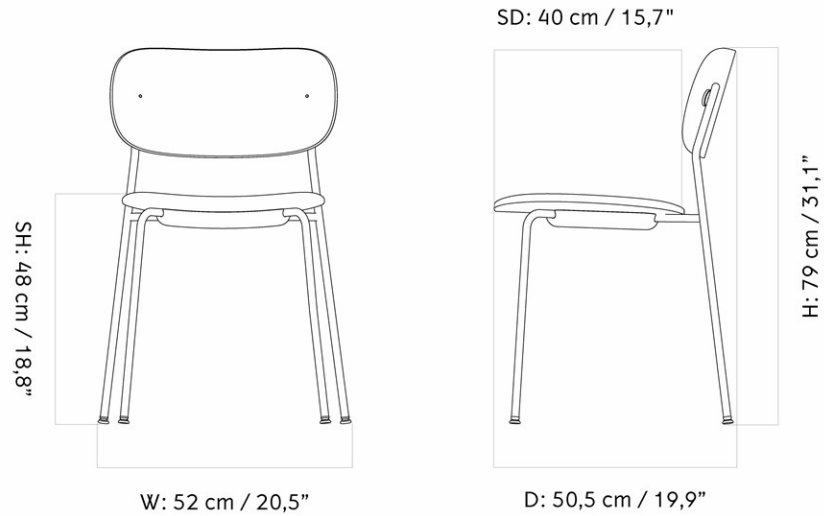


CO DINING CHAIR Designed by *Norm Architects*

DESCRIPTION The Co Dining Chair is available in both un-upholstered and upholstered versions, with the option of an upholstered seat in a range of textiles and leathers. Offered with or without armrests, the base comes in black or chromed steel, and the chair is available in three finishes: natural oak, dark stained oak, and black oak. The design allows for stacking and row-connecting.

SKU	71145-004537	COUNTRY OF ORIGIN	Latvia
EAN	5709262092888	MATERIALS	Plywood, Foam, Upholstery, Oak Veneer, Powder Coated Steel
ADD ARMS?	False	TESTS & CERTIFICATIONS	ANSI: BIFMA X5.4-2020 EN16139:2013, L2
BACKREST MATERIAL	Oak, Veneer, Dark Stained	CO2e	For any inquiries, please contact your local Sales representative
BASE MATERIAL	Steel, Black	2D FILES	Download
BASE TYPE	4-Legs Base	3D FILES	Download
FOAM TYPE	Global / US - CAL117	REVIT FILES	Download
PRICE CATEGORY	PC0T	WARRANTY	10 years (Download)
UPHOLSTERY	AUDO BOUCLÉ	CARE INSTRUCTIONS	Backrest Material Base Material Upholstery
UPHOLSTERY COLOUR	02		
UPHOLSTERY TYPE	Seat Upholstered		
DESIGNER	Norm Architects		
PRODUCT TYPE	Dining Chair		
ENVIRONMENT	Indoor		
TEXTILE LEATHER CONSUMPTION	Textile Consumption: 0.645 yds Leather Consumption: 5.1667 ft2		
DECLARE LABEL	Download		

Audo



CO DINING CHAIR Designed by *Norm Architects*

TECHNICAL SPECIFICATIONS

DIMENSIONS

Seat Height: 18.90 "
Seat Depth: 15.75 "
Product Height: 31.10 "
Product Width: 20.47 "
Product Depth: 19.88 "

NET WEIGHT

13.316 Lb

GROSS WEIGHT

18.942 Lb

PACKAGING TYPE

Brown Box

PACKAGING MEASUREMENTS

H x W x D
31.50 " x 20.87 " x 19.29 "

PRODUCTION PROCESS

The seat, backrest, and armrests are made from curved plywood, with the shell CNC-milled on a 5-axis machine. The core is beech veneer, finished with an outer layer of oak veneer. Upholstered options are available, including full wood, seat upholstery, and fully upholstered versions, with double-layer foam used on the seat for added comfort. The base is made from bent, welded steel tubes, with armrests crafted from steel rods. The base comes in either a powder-coated or chrome finish.

Audo

CO DINING CHAIR Designed by *Norm Architects*

SPARE PARTS

Find relevant spare parts for this product to support long-term maintenance.

SPARE PARTS	VARIANT	SPARE PART SKU
	<i>Harbour & Co Chair, Steel Base-Versions, Quick Click Glides, 2x4 pcs.</i>	81111000599
<i>Spareparts</i>	<i>Co Chair, Screw For Un-Upholstered Backrest, Black</i>	81111000442
	<i>Row Connection For Co Chair Without Armrest</i>	81111000813
	<i>Co Chair Insert w/Plastic Glide, Black, 4 pcs.</i>	81111000603