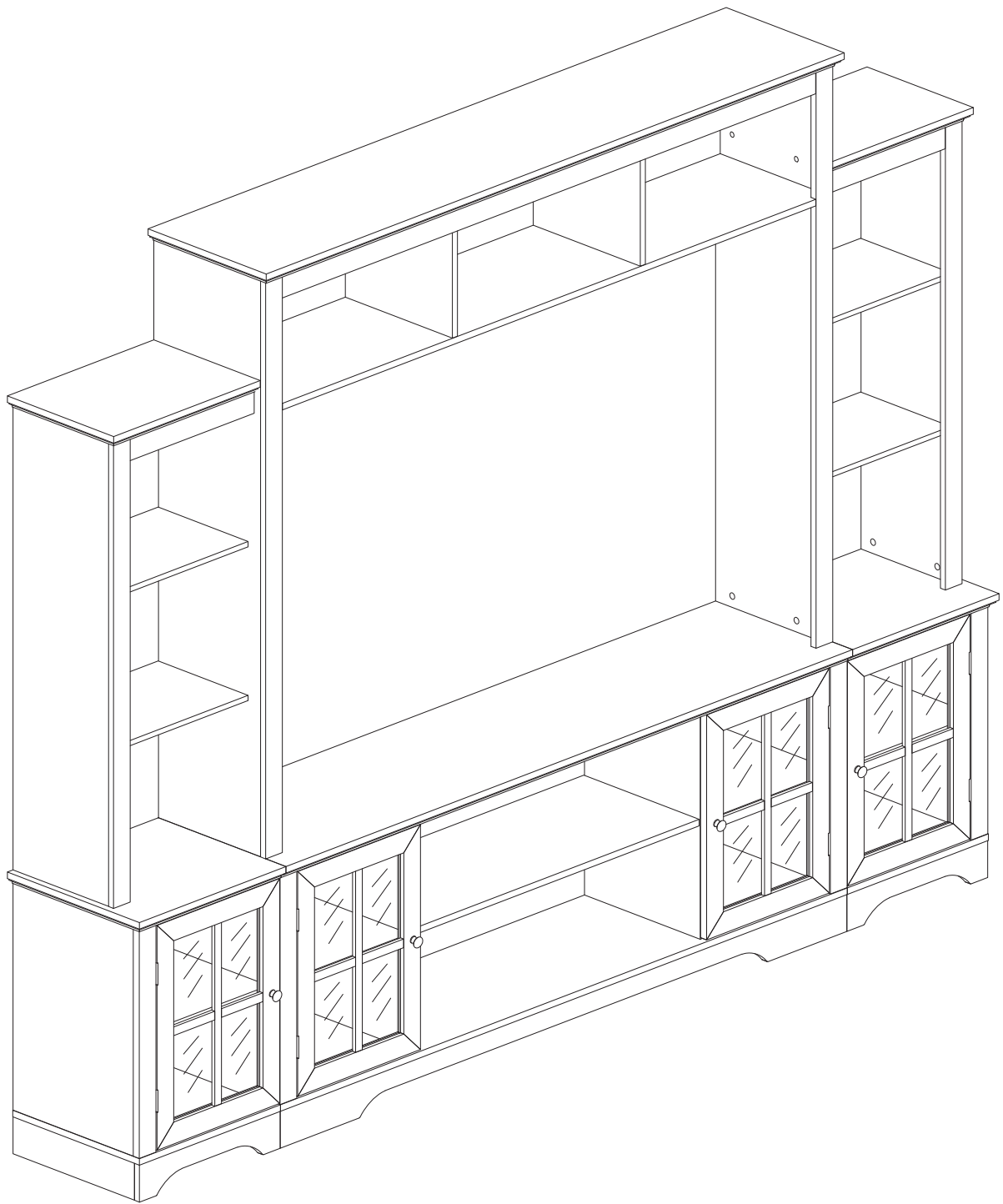
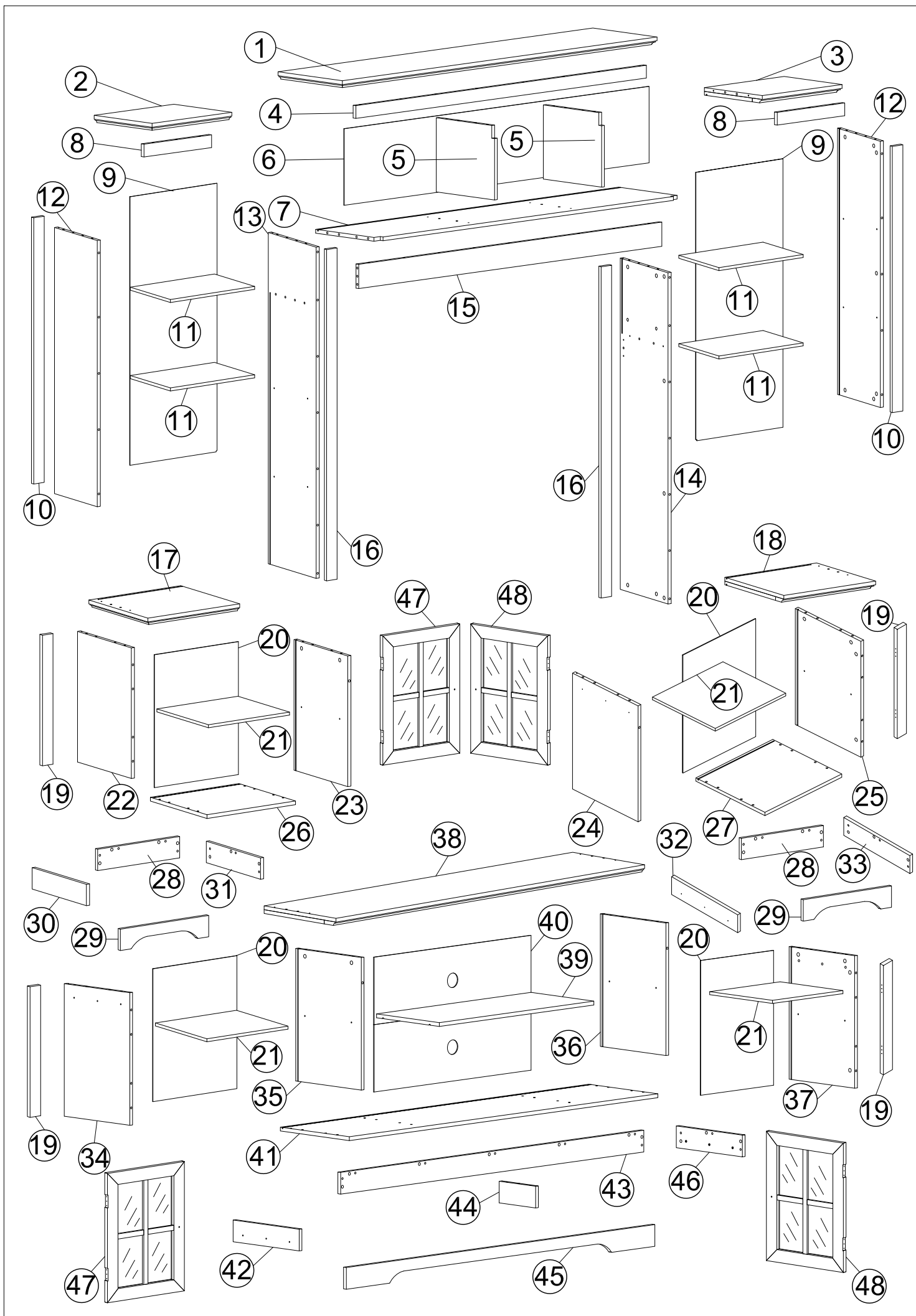
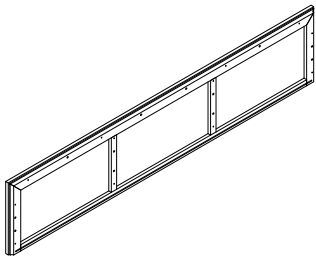


Installation & Assembly

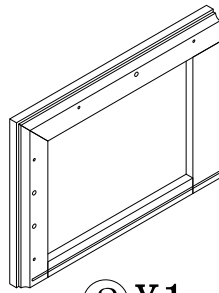




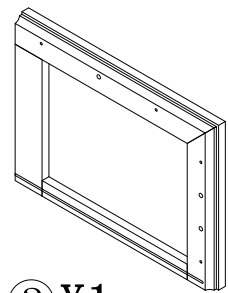
PRODUCT PARTS:



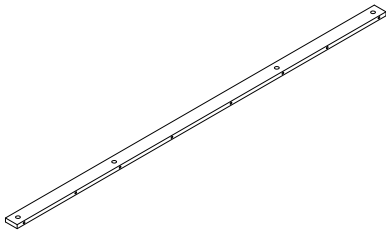
① X1



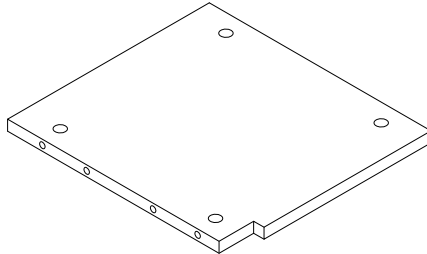
② X1



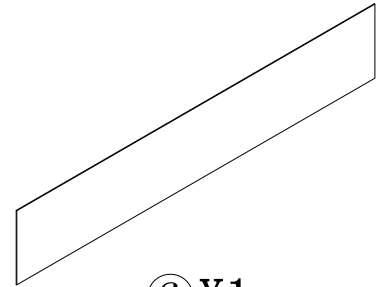
③ X1



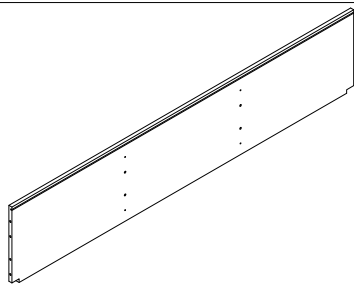
④ X1



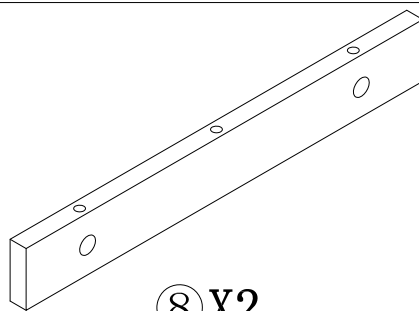
⑤ X2



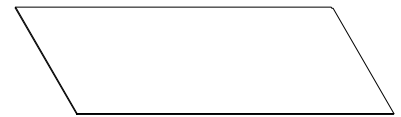
⑥ X1



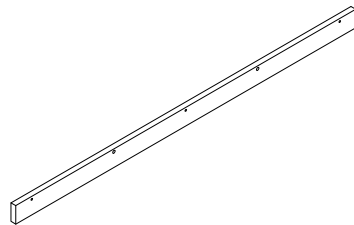
⑦ X1



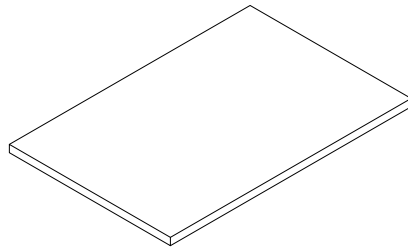
⑧ X2



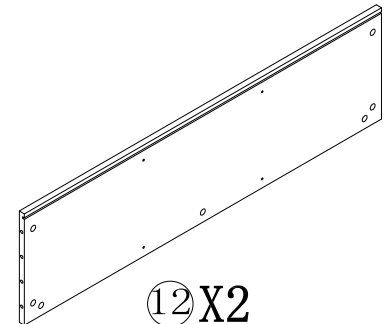
⑨ X2



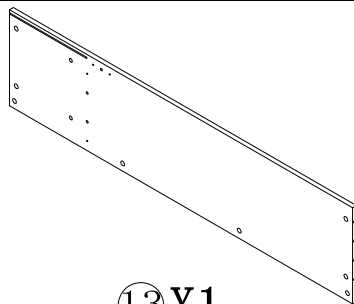
⑩ X2



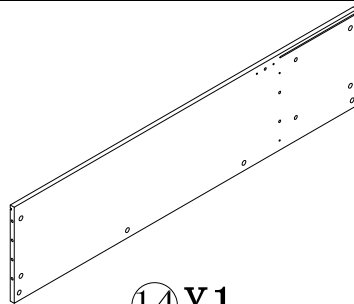
⑪ X4



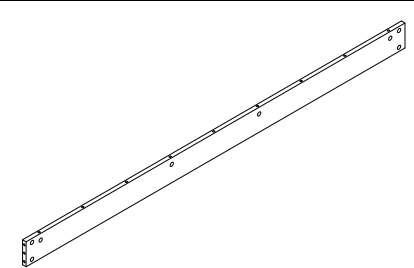
⑫ X2



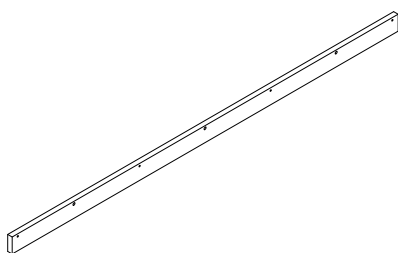
⑬ X1



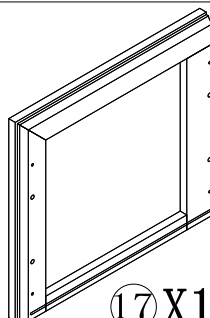
⑭ X1



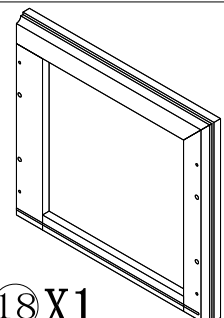
⑮ X1



⑯ X2

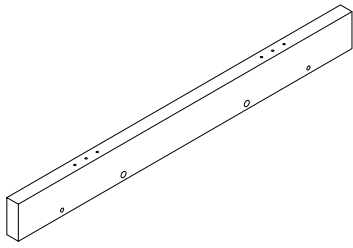


⑰ X1

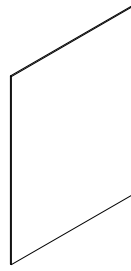


⑱ X1

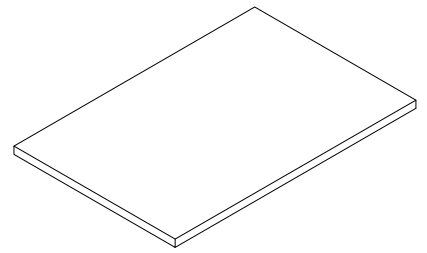
PRODUCT PARTS:



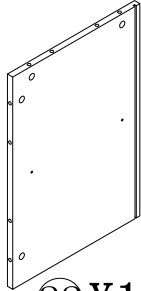
⑲X4



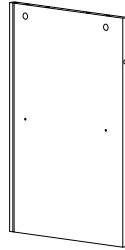
⑳X4



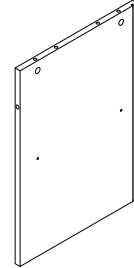
㉑X4



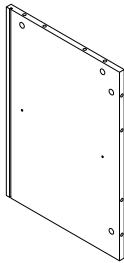
㉒X1



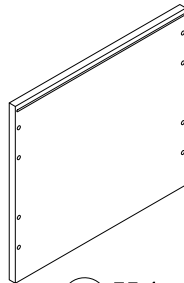
㉓X1



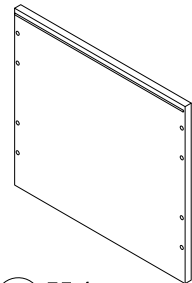
㉔X1



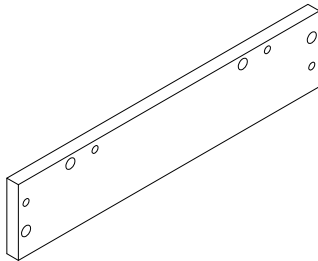
㉕X1



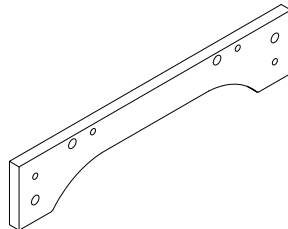
㉖X1



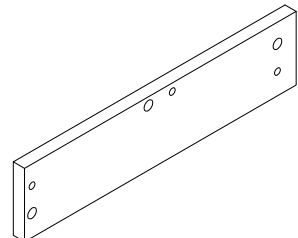
㉗X1



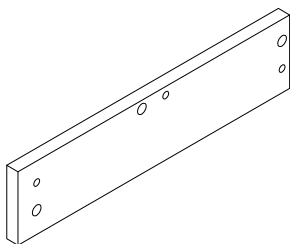
㉘X2



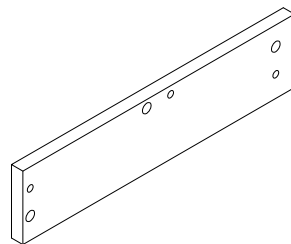
㉙X2



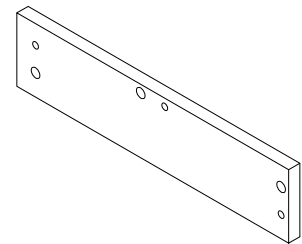
㉚X1



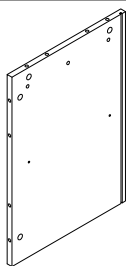
㉛X1



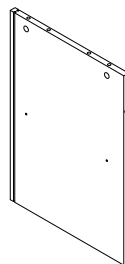
㉜X1



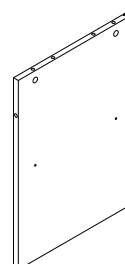
㉝X1



㉞X1

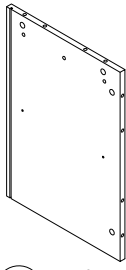


㉟X1

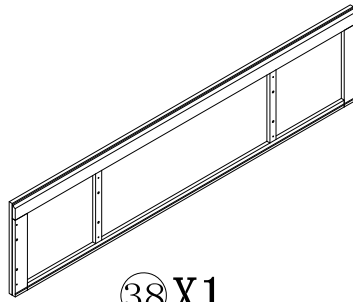


㊱X1

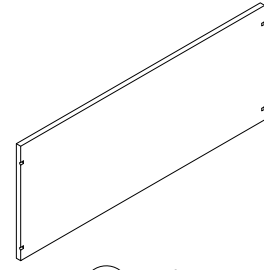
PRODUCT PARTS :



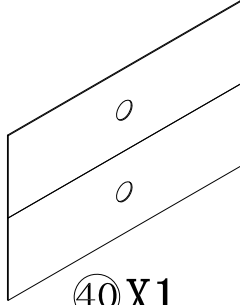
③⑦ X1



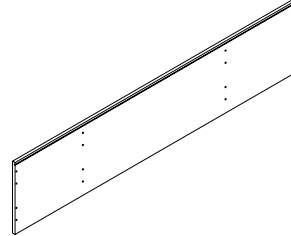
③⑧ X1



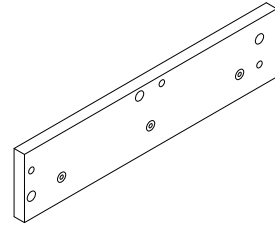
③⑨ X1



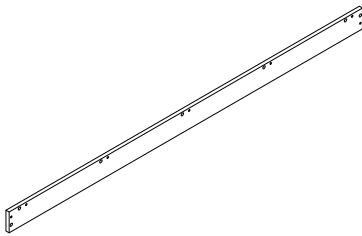
④⑩ X1



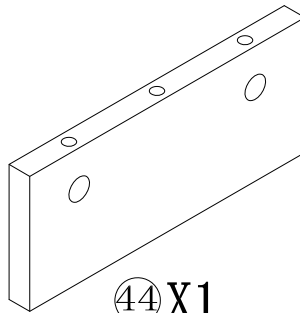
④① X1



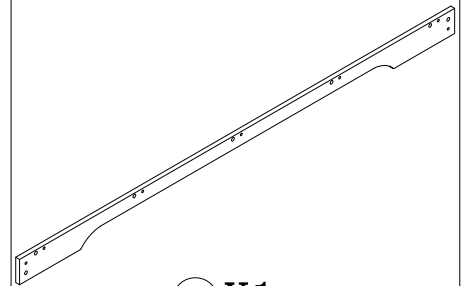
④② X1



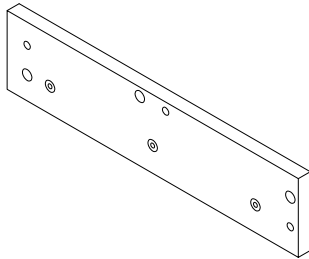
④③ X1



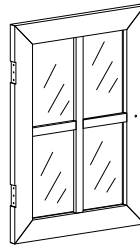
④④ X1



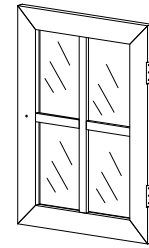
④⑤ X1



④⑥ X1

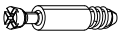

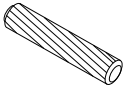
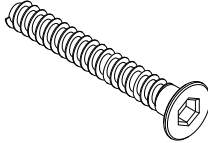
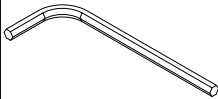
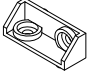

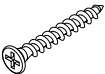
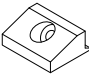



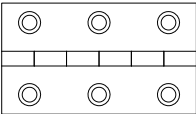
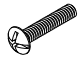

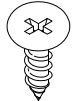
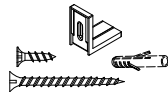



④⑦ X2



④⑧ X2

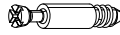
HARDWARE :

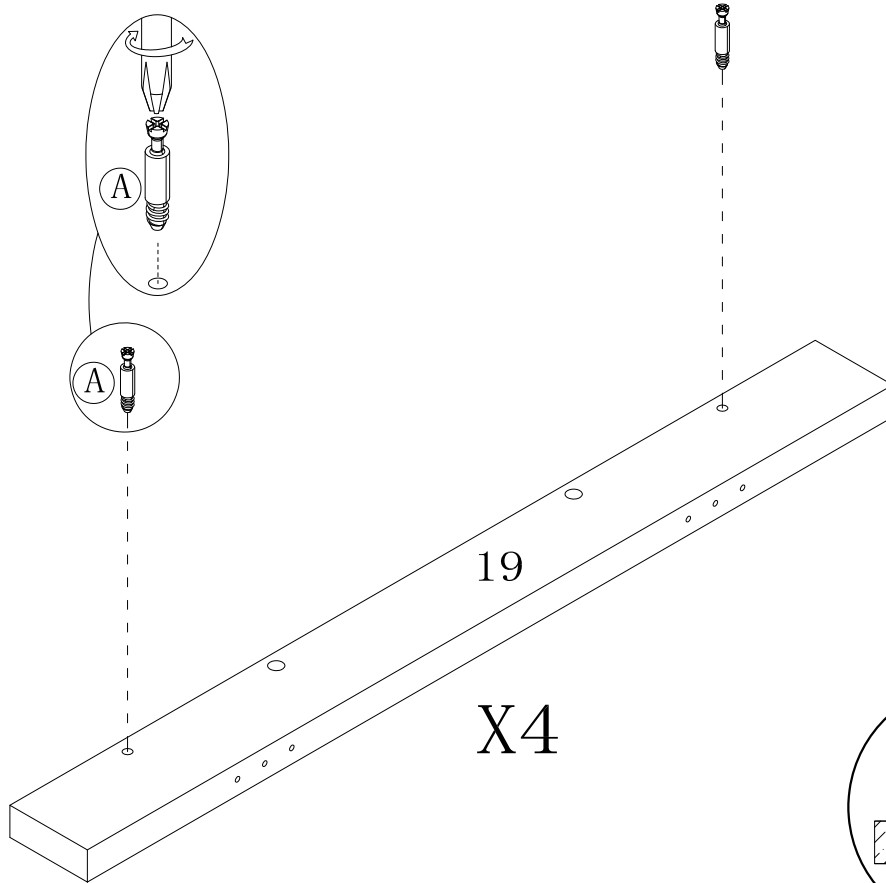
(A)	(B)	(C)	(D)	(E)	(F)
					
φ6*35	φ15*12	φ8*30	φ6*50	M4	
84PCS	84PCS	96PCS	20PCS	1PC	36PCS
(G)	(H)	(I)	(J)	(K)	(L)
					
M6*12mm	φ4*25		φ3*17	φ5*16	φ3*15
72PCS	12PCS	72PCS	72PCS	36PCS	48PCS
(M)	(N)	(O)	(P)	(Q)	(R)
					
	M4*25		φ4*12		φ30
8PCS	4PCS	4PCS	4PCS	2PCS	84PCS

Two people are required to install this product



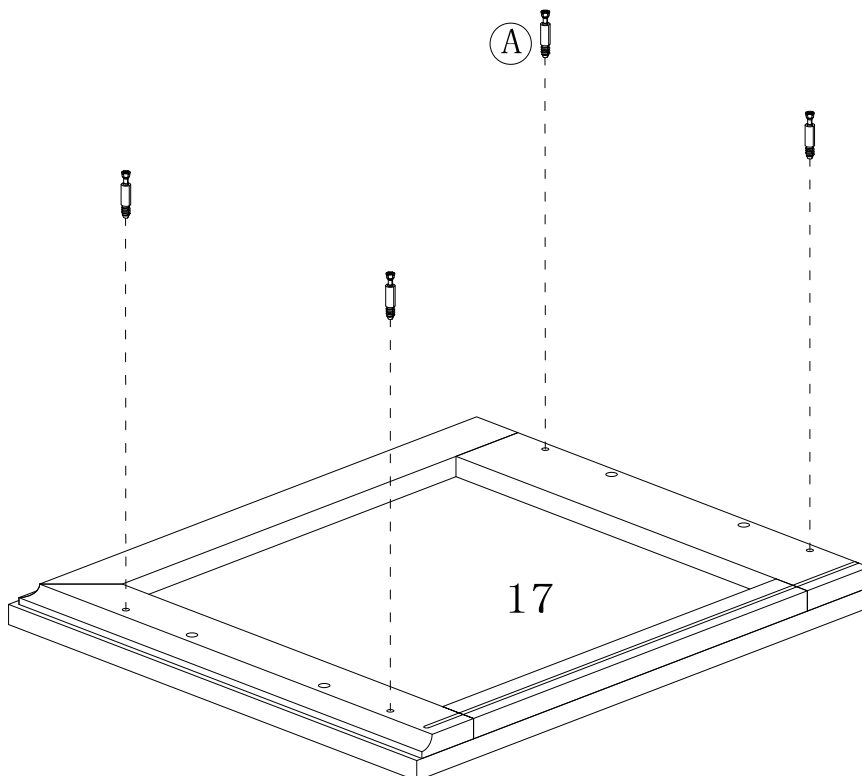
Step 1

(A)  8PCS
Ø6*35

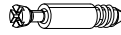


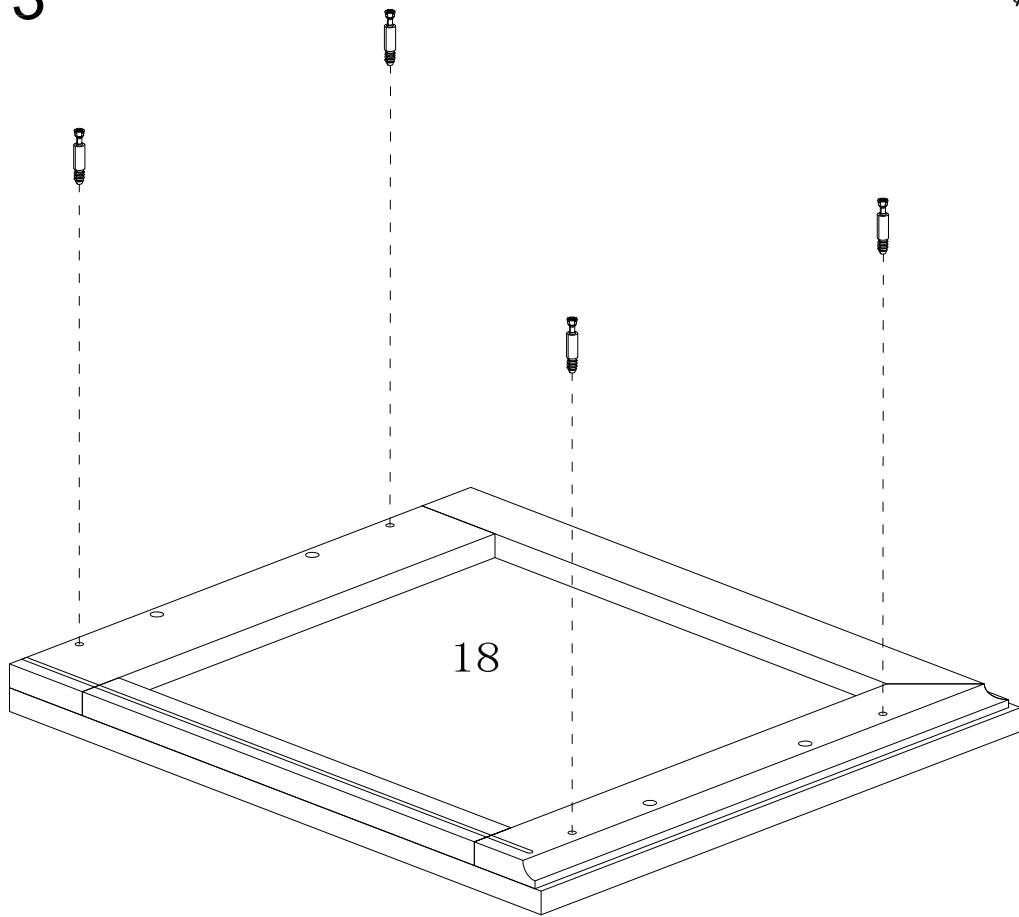
Step 2

(A)  4PCS
Ø6*35




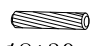
Step 3

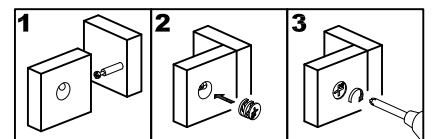
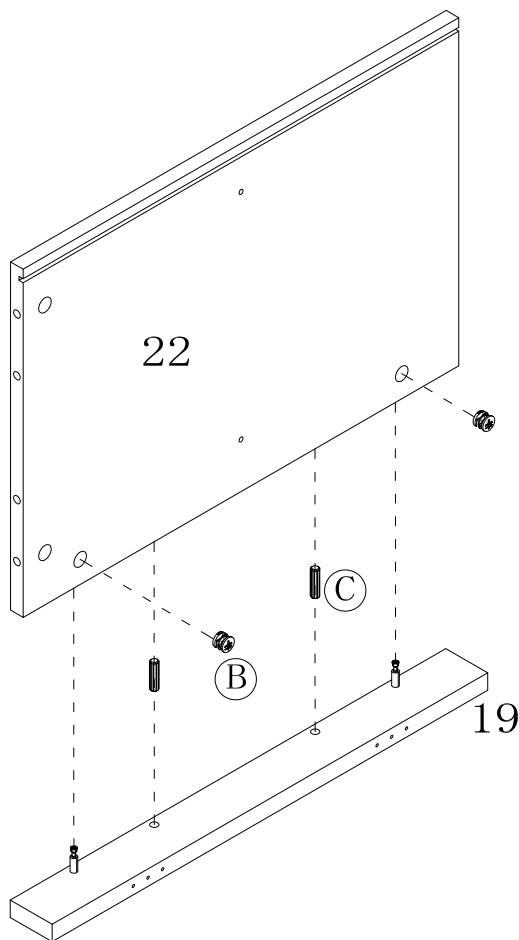
(A)  4PCS
Ø6*35



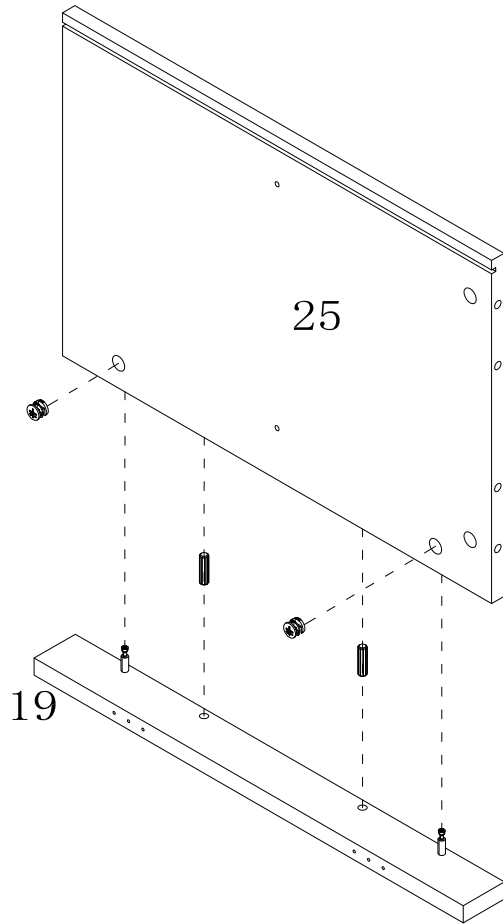
Step 4



(B)  2PCS
Ø15*12

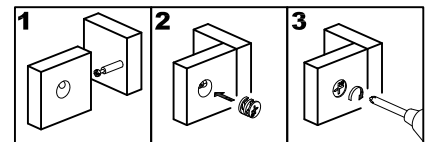
(C)  2PCS
Ø8*30



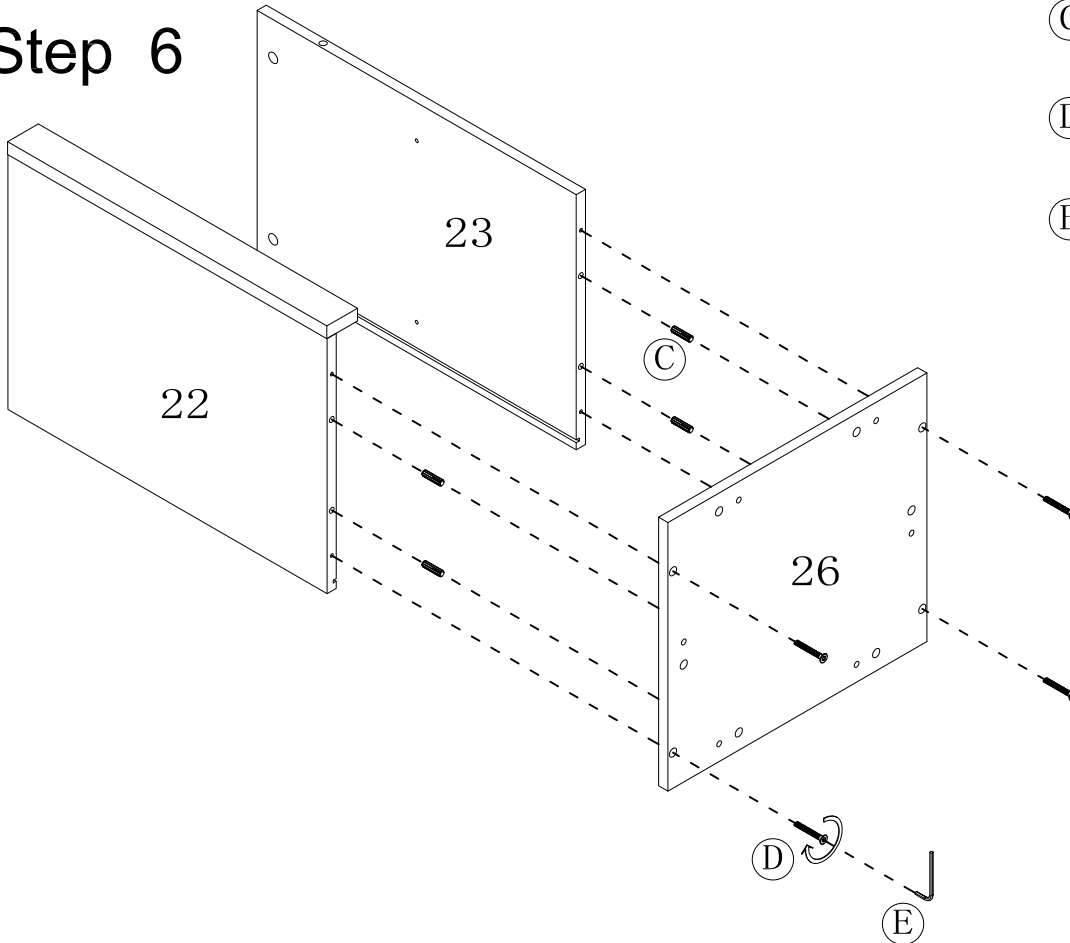
Step 5






- (B)  2PCS
Ø15*12
- (C)  2PCS
Ø8*30

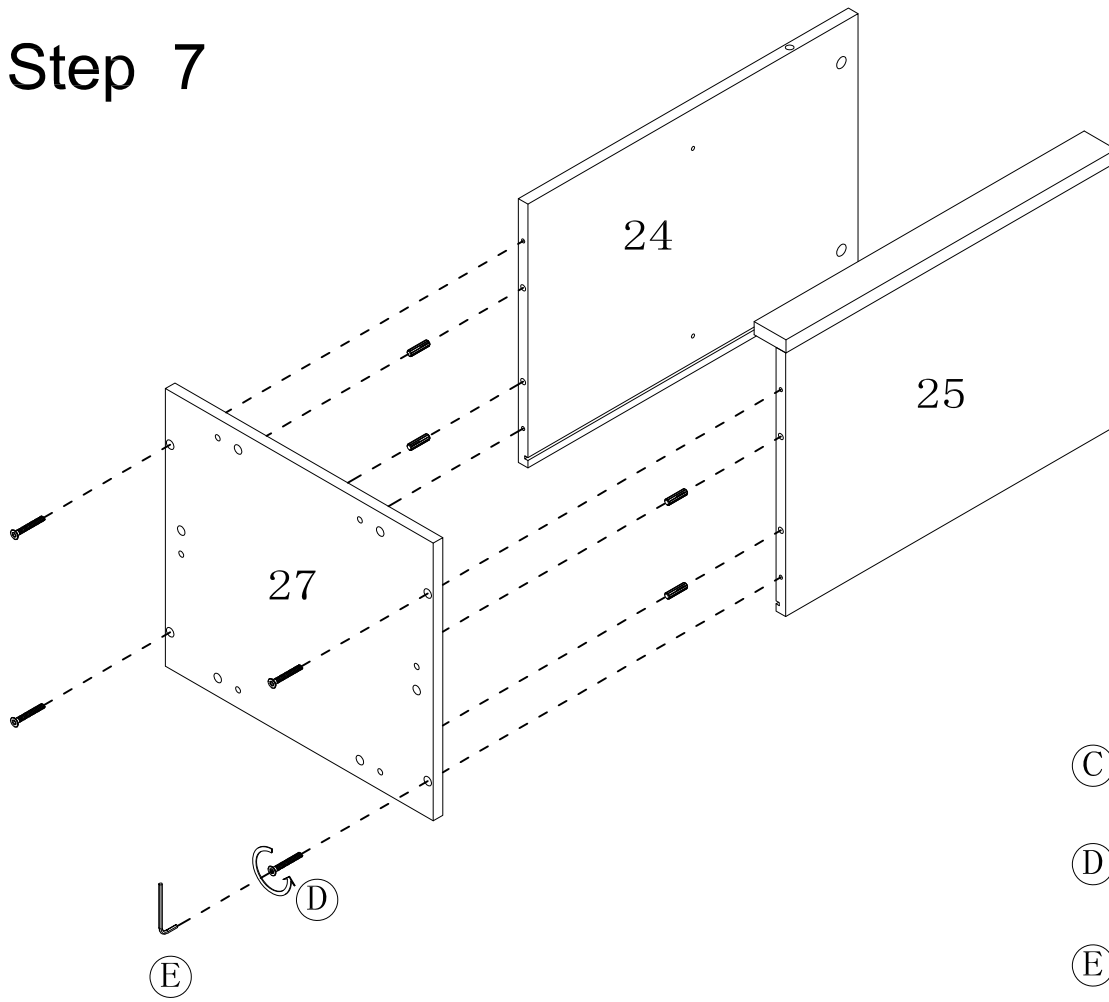




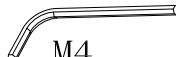
Step 6



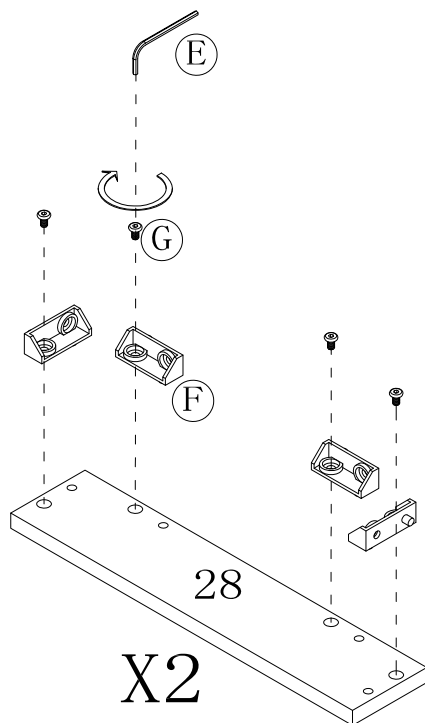
- (C)  4PCS
Ø8*30
- (D)  4PCS
Ø6*50
- (E)  M4

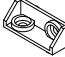


Step 7

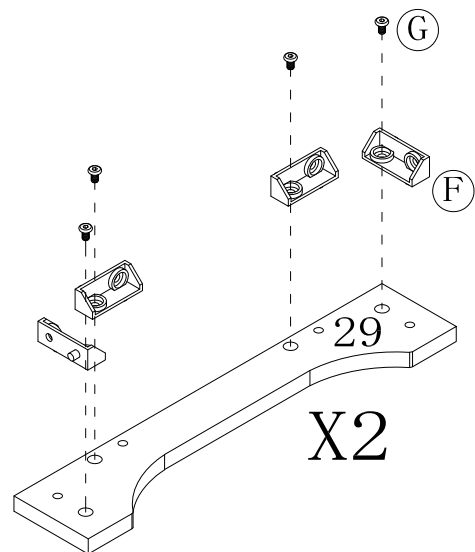


- (C)  4PCS
Ø8*30
- (D)  4PCS
Ø6*50
- (E)  M4

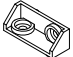
Step 8



- (F)  16PCS
- (G)  16PCS
M6*12
- (E)  M4

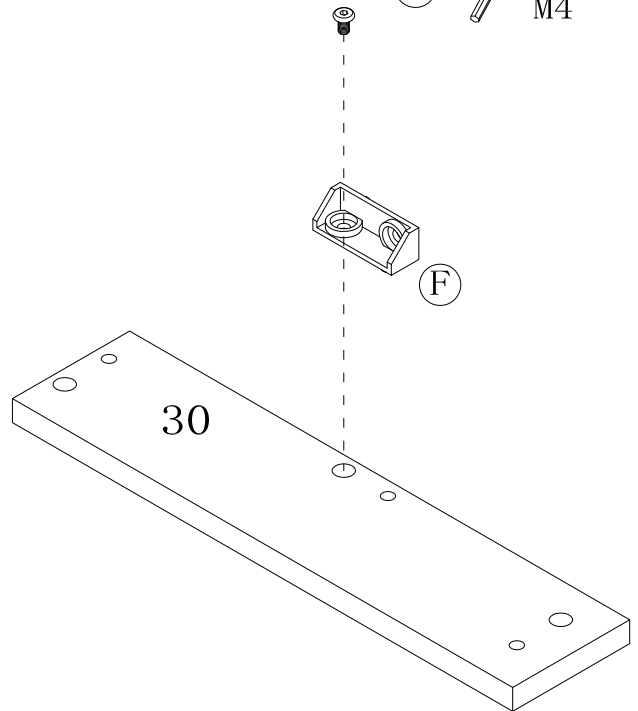
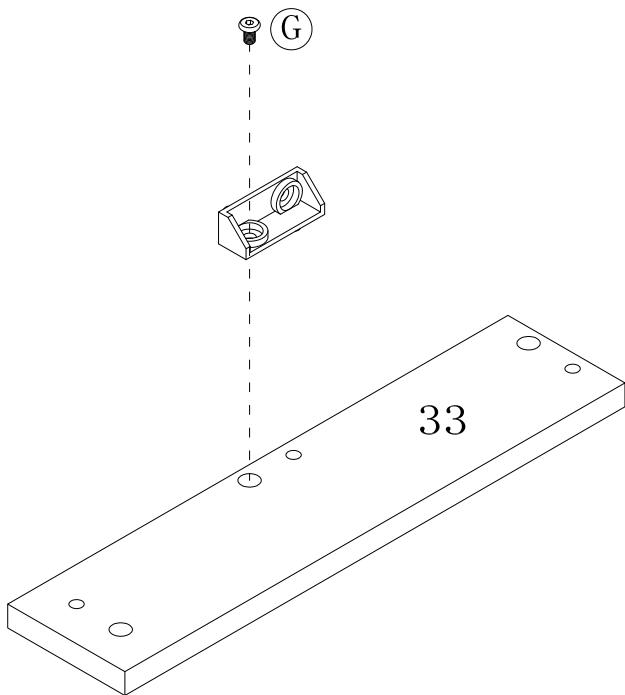


Step 9


(F)  2PCS

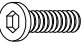
(G)  2PCS
M6*12

(E)  M4

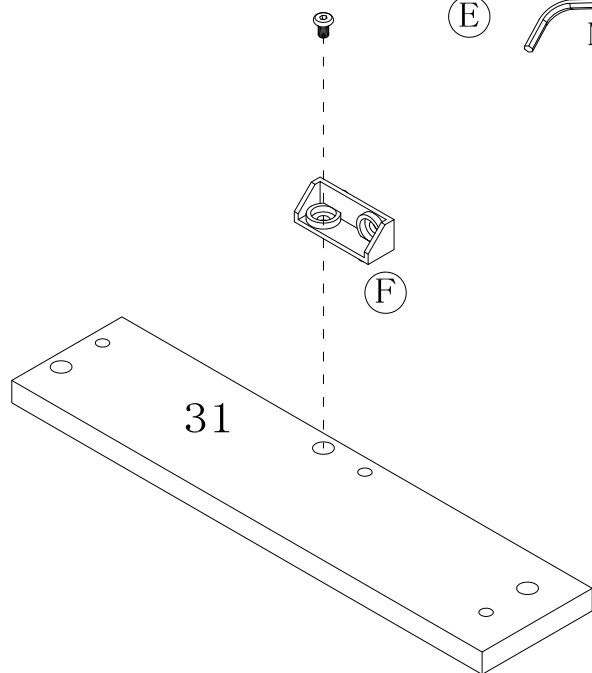
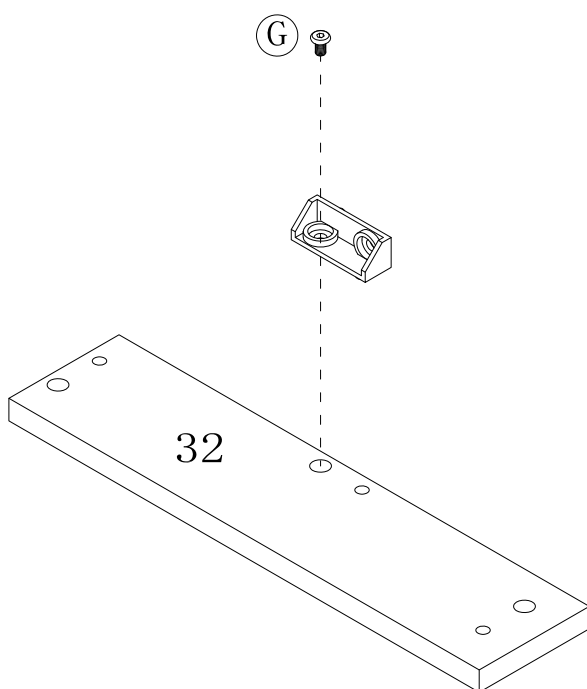


Step 10

(F)  2PCS

(G)  2PCS
M6*12

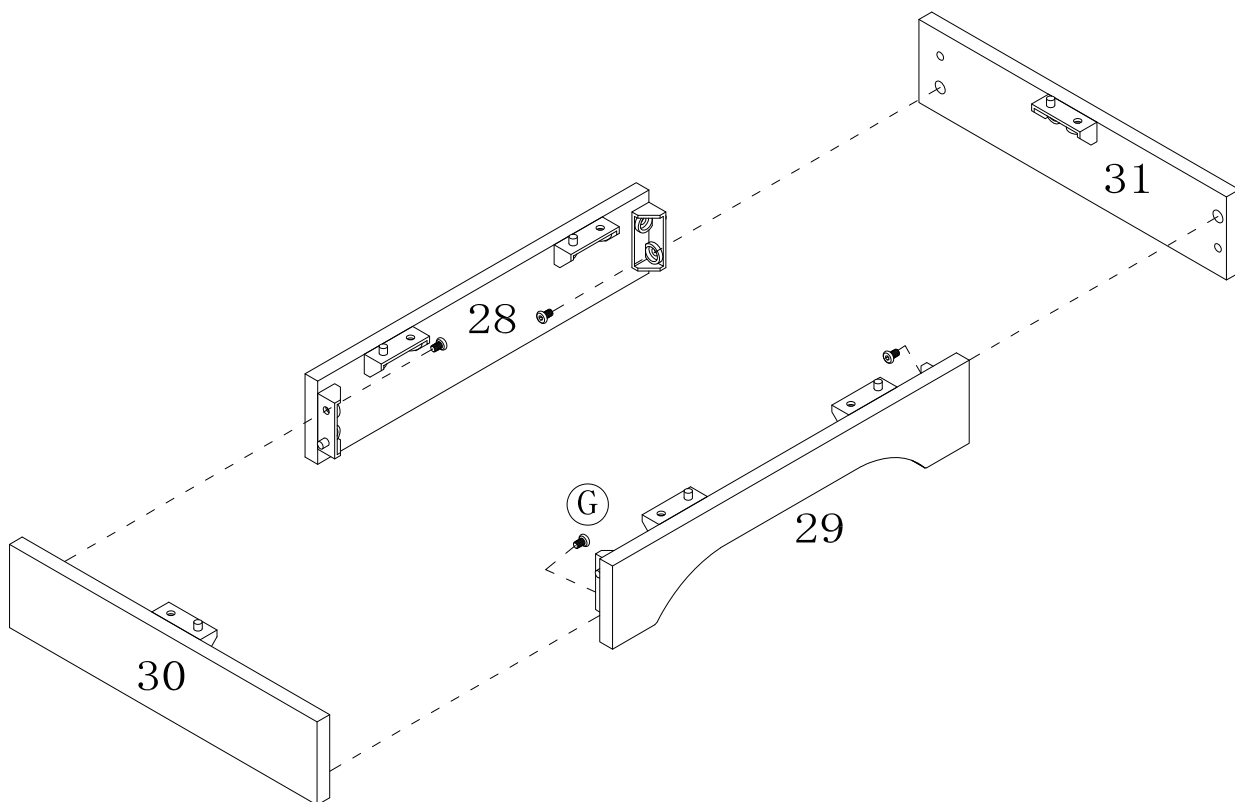
(E)  M4




Step 11

(G)  4PCS
M6*12

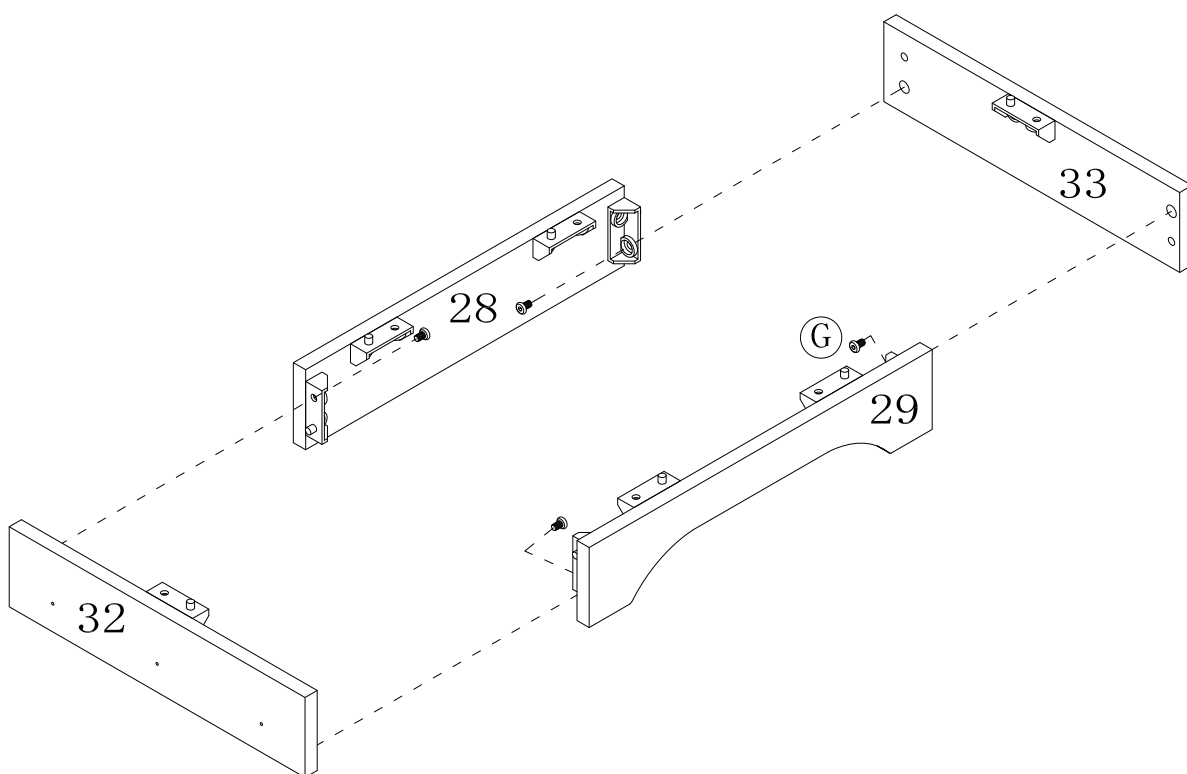
(E)  M4





Step 12

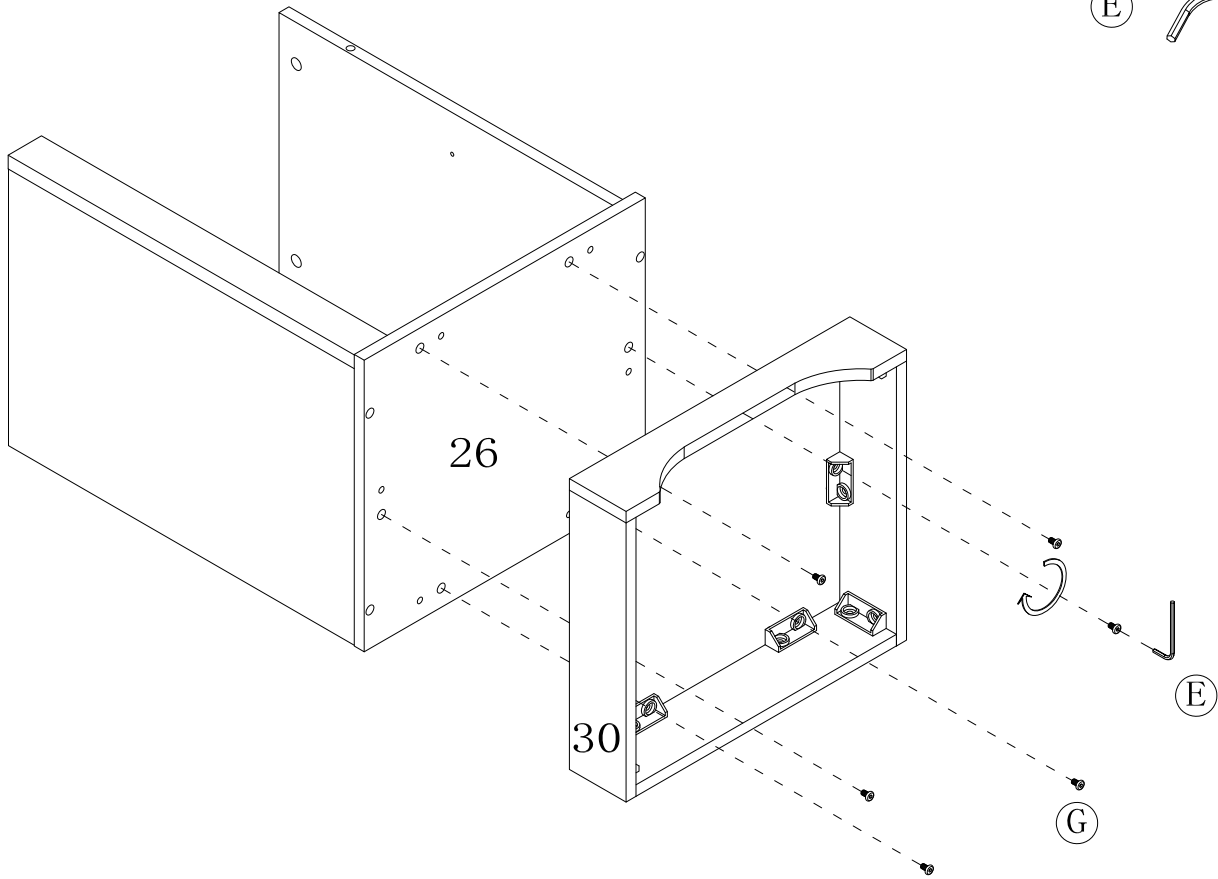
(G)  4PCS
M6*12

(E)  M4





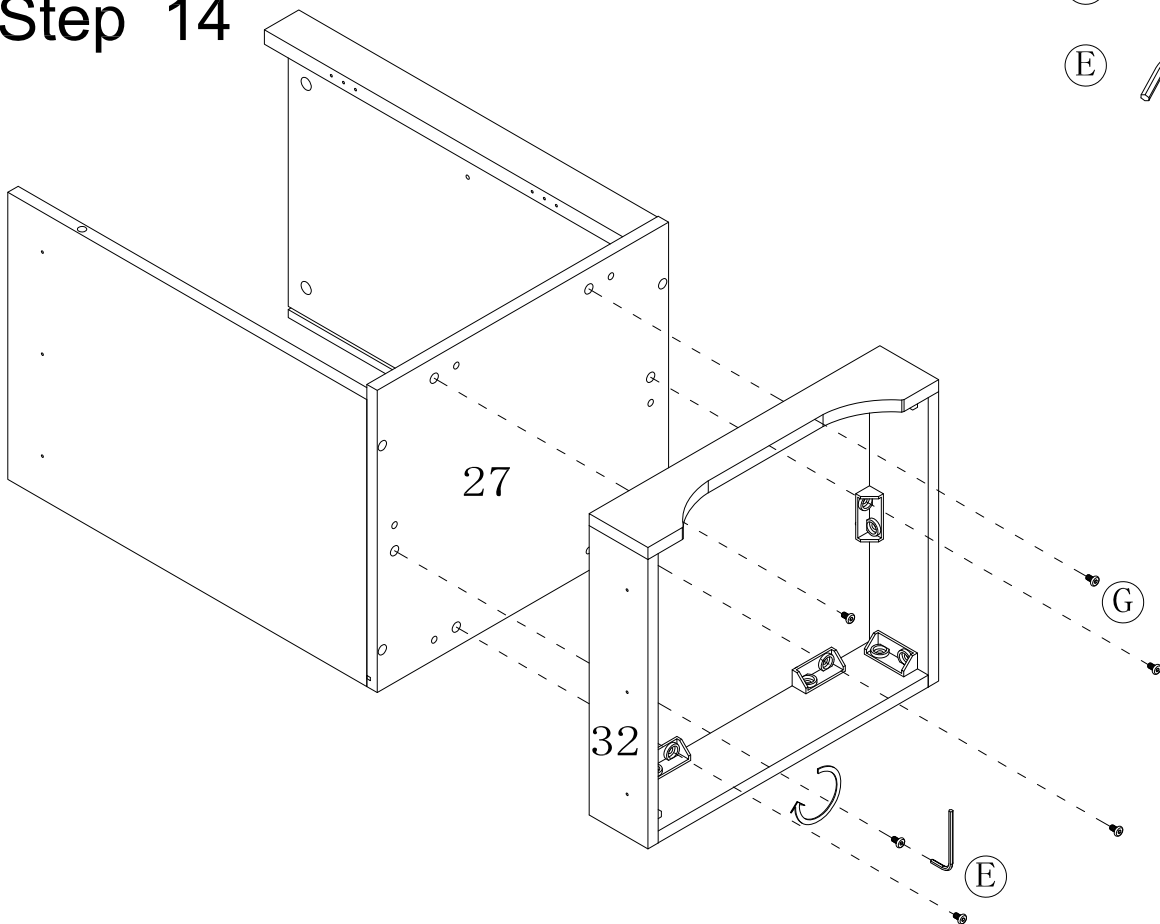
Step 13

- (G)  6PCS
M6*12
- (E)  M4

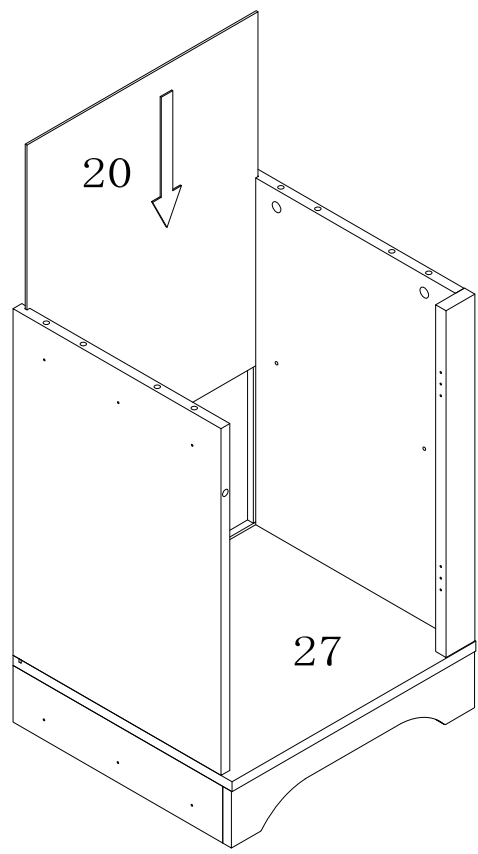
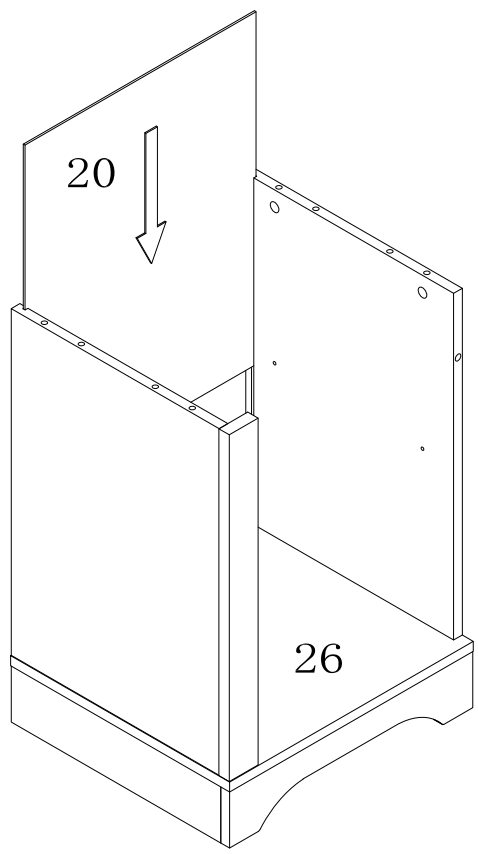


Step 14

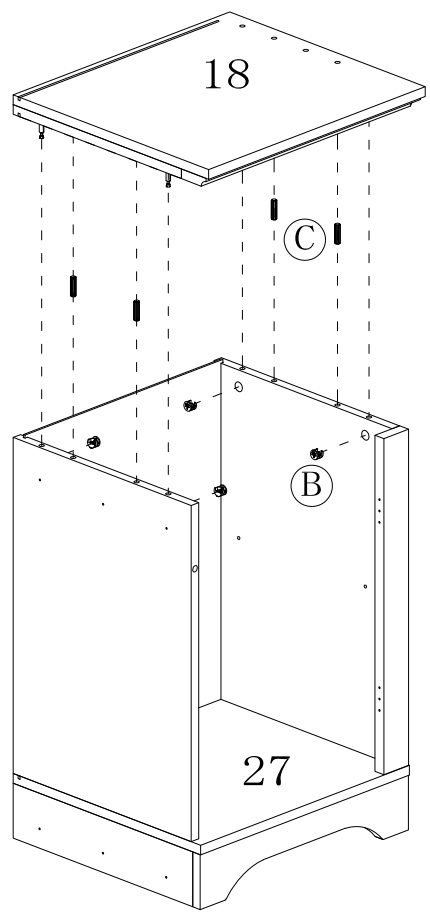
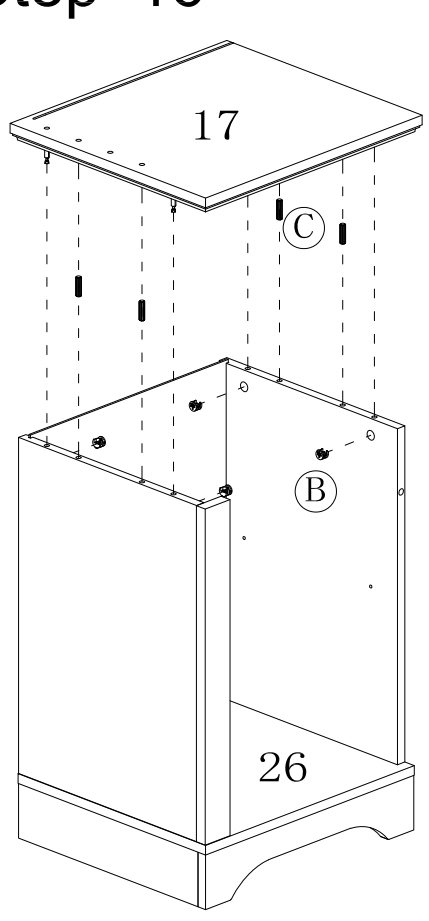
- (G)  6PCS
M6*12
- (E)  M4





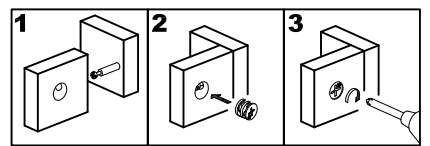
Step 15



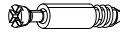
Step 16

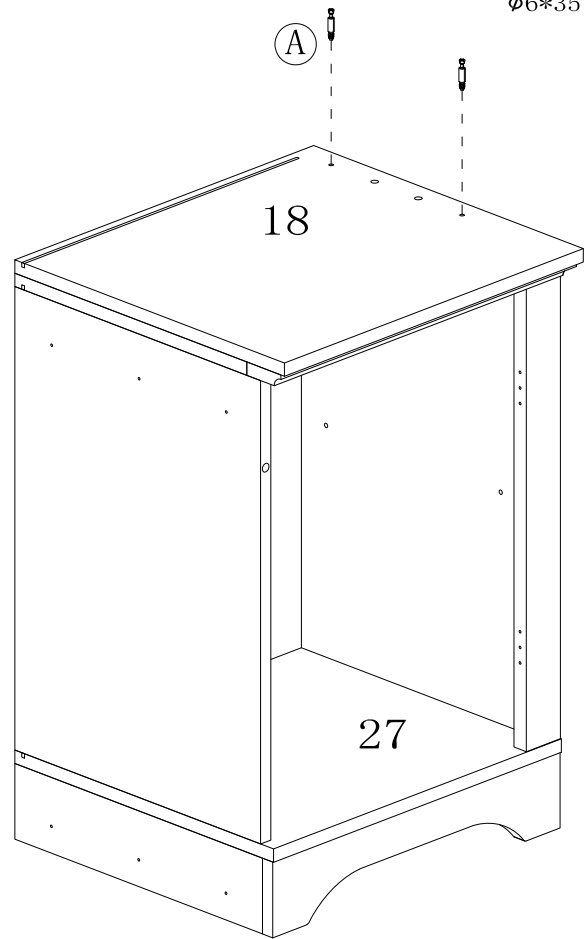
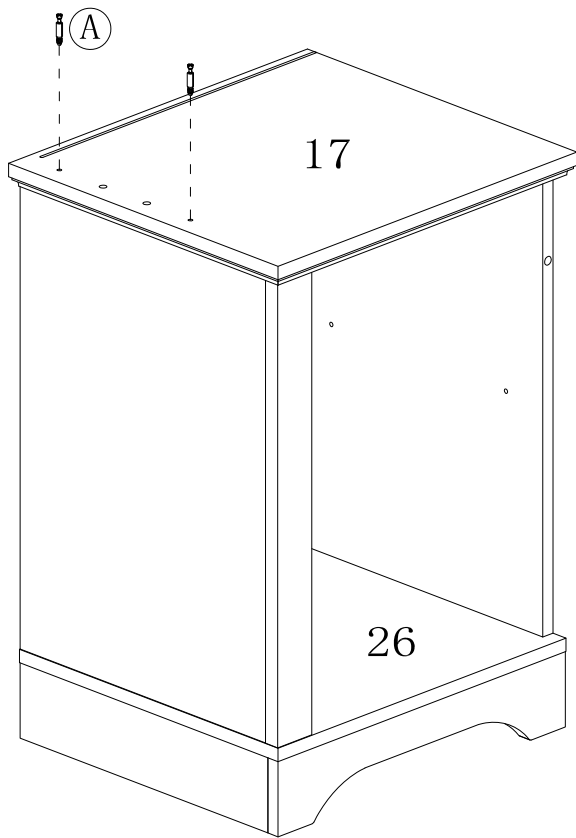


- (B)  8PCS
Ø15*12
- (C)  8PCS
Ø8*30

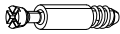


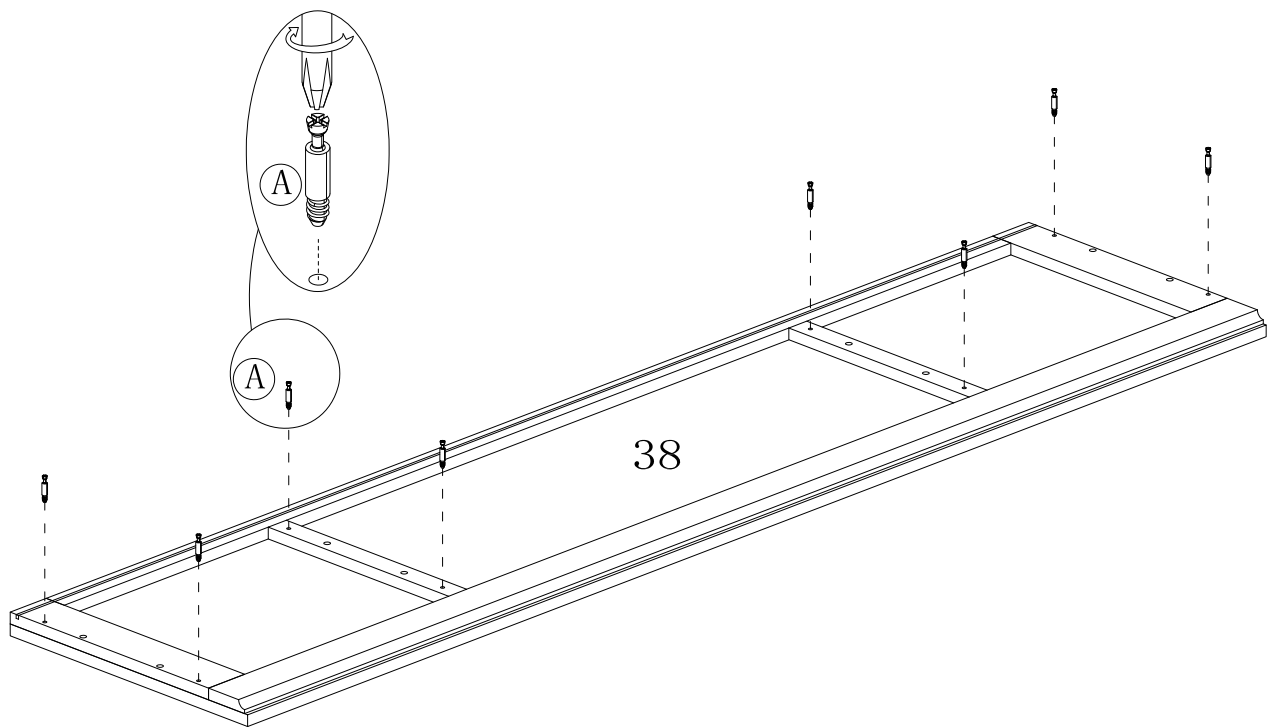
Step 17

(A)  4PCS
Ø6*35





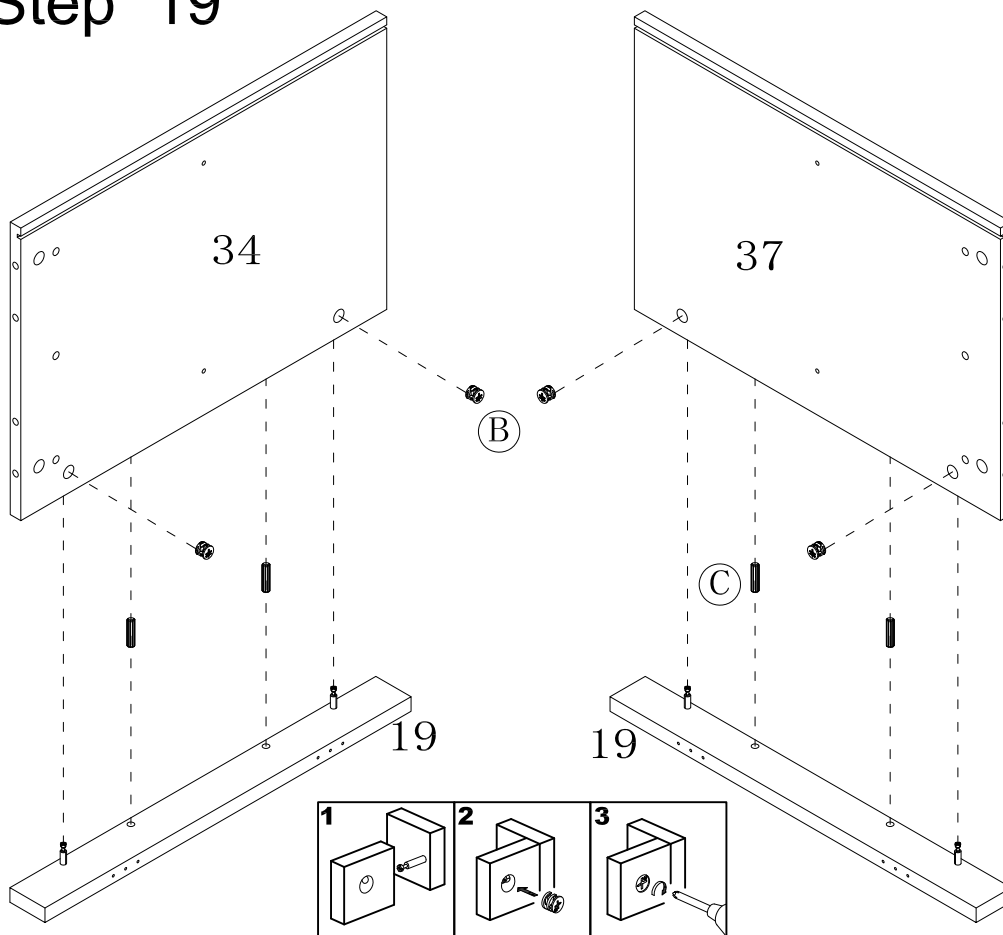
Step 18

(A)  8PCS
Ø6*35

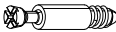


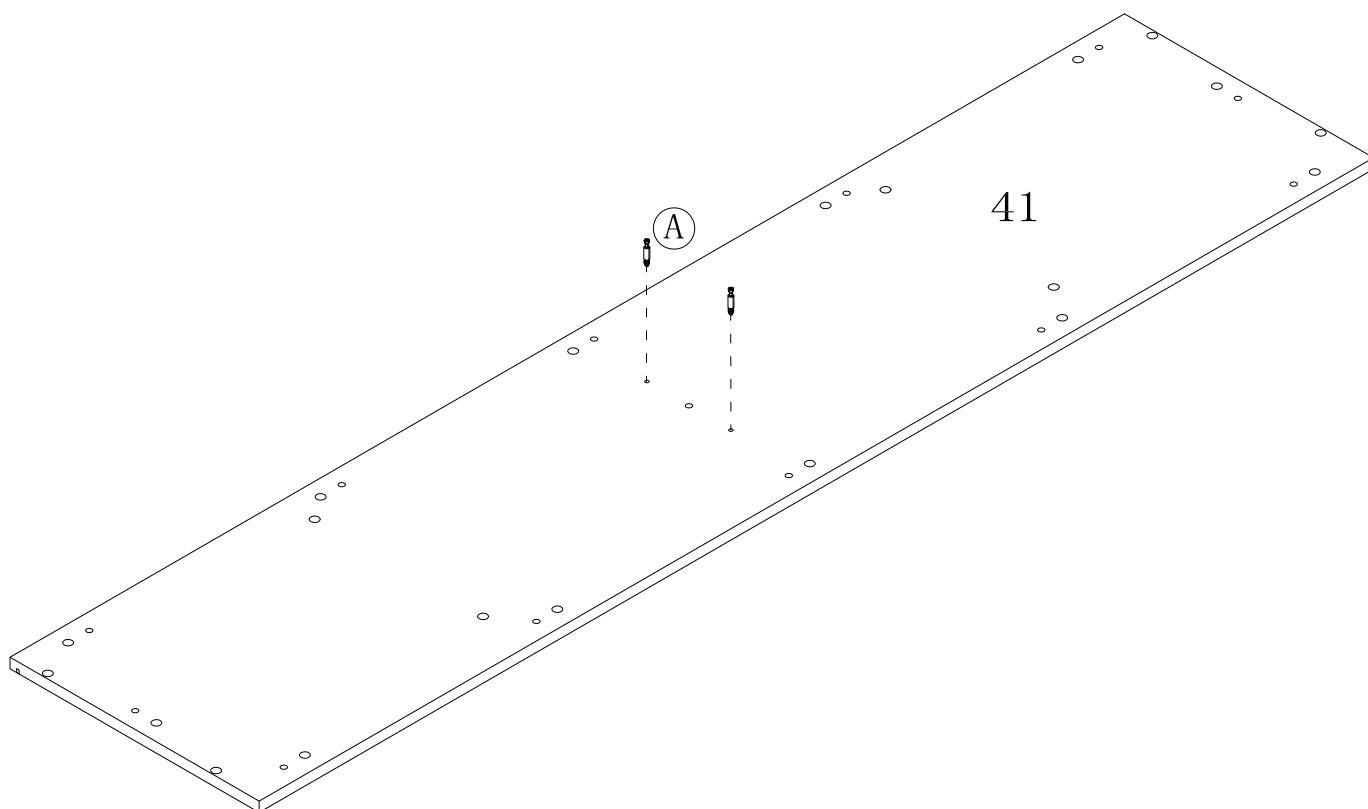
Step 19

- (B)  4PCS
Ø15*12
- (C)  4PCS
Ø8*30

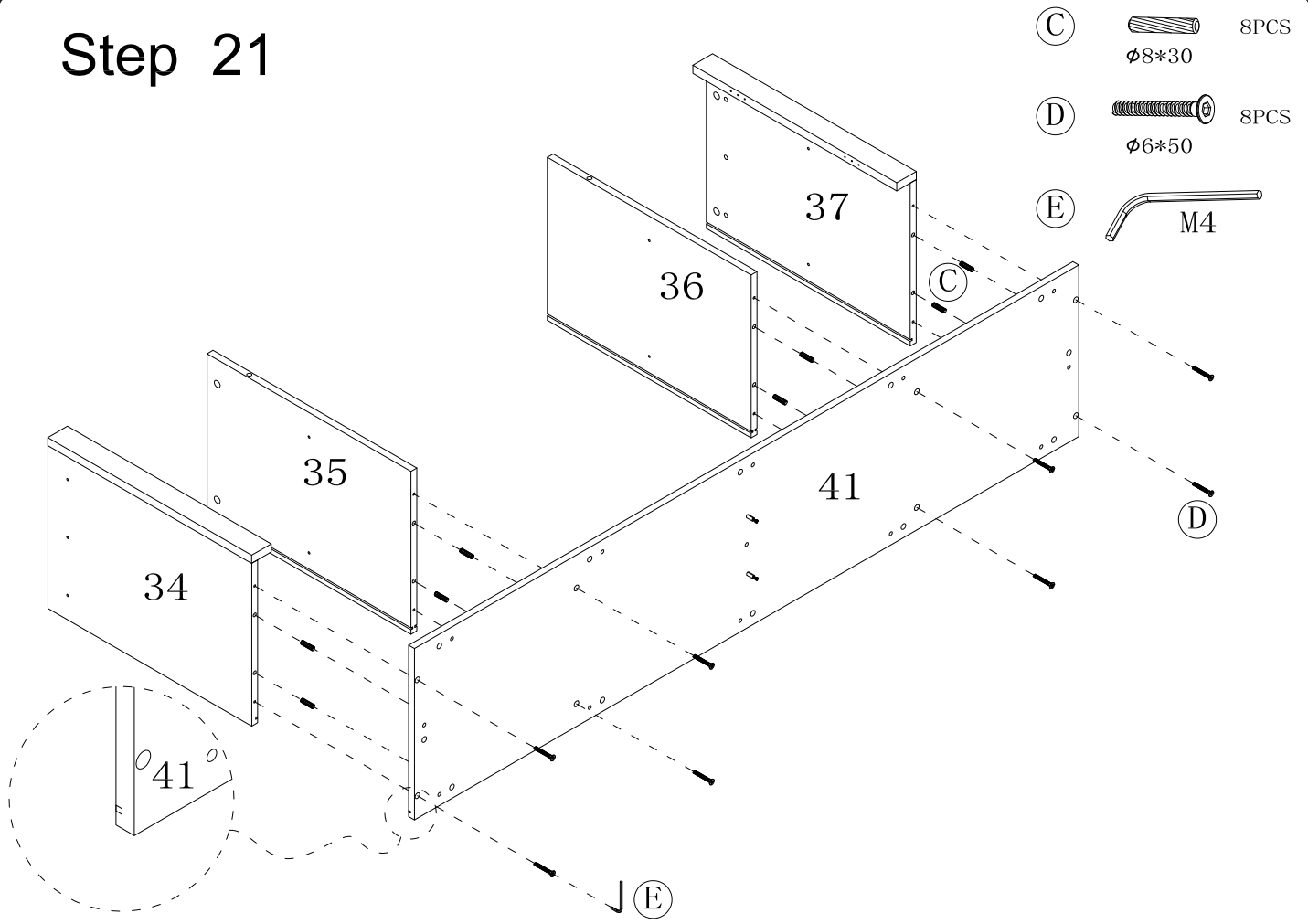


Step 20

- (A)  2PCS
Ø6*35

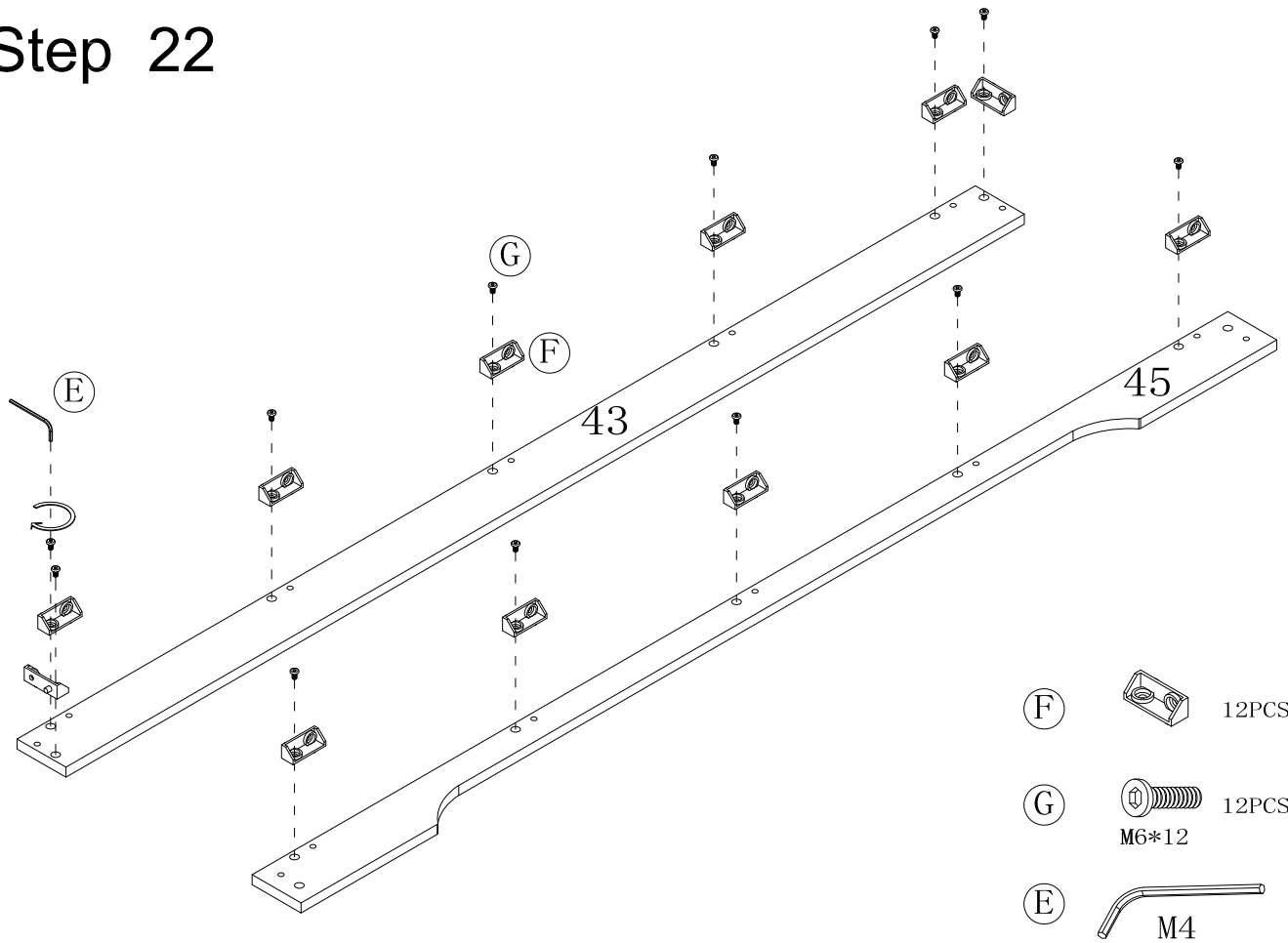


Step 21



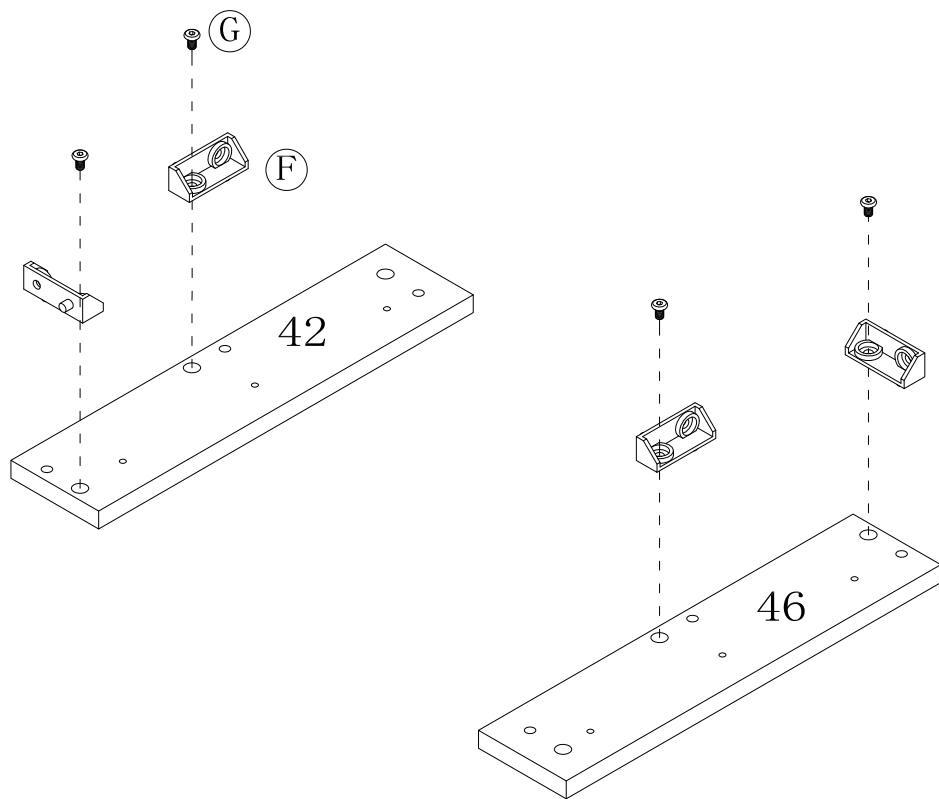
- (C) 8PCS
Ø8*30
- (D) 8PCS
Ø6*50
- (E) M4

Step 22



- (F) 12PCS
- (G) 12PCS
M6*12
- (E) M4

Step 23

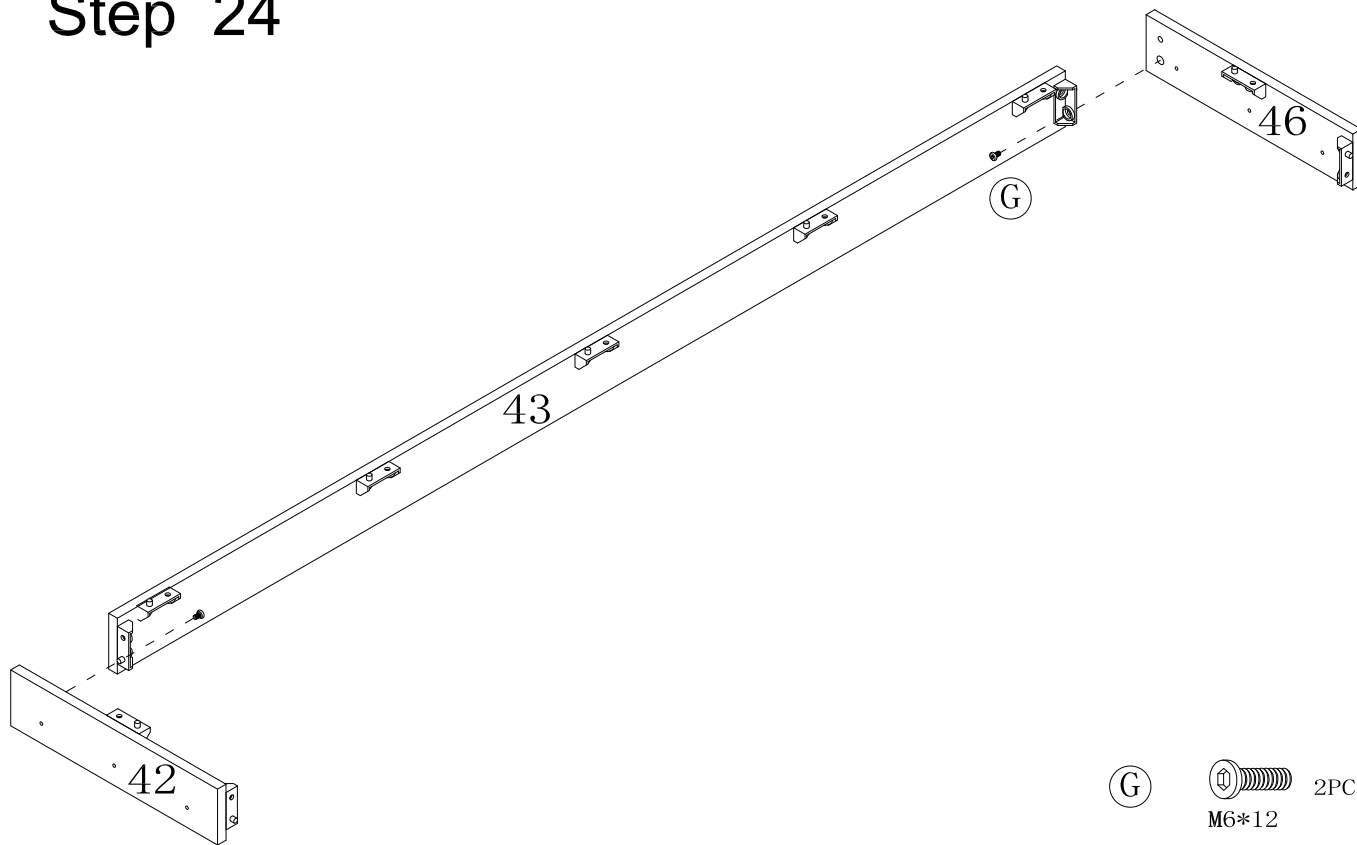



(F)  4PCS

(G)  4PCS
M6*12

(E)  M4

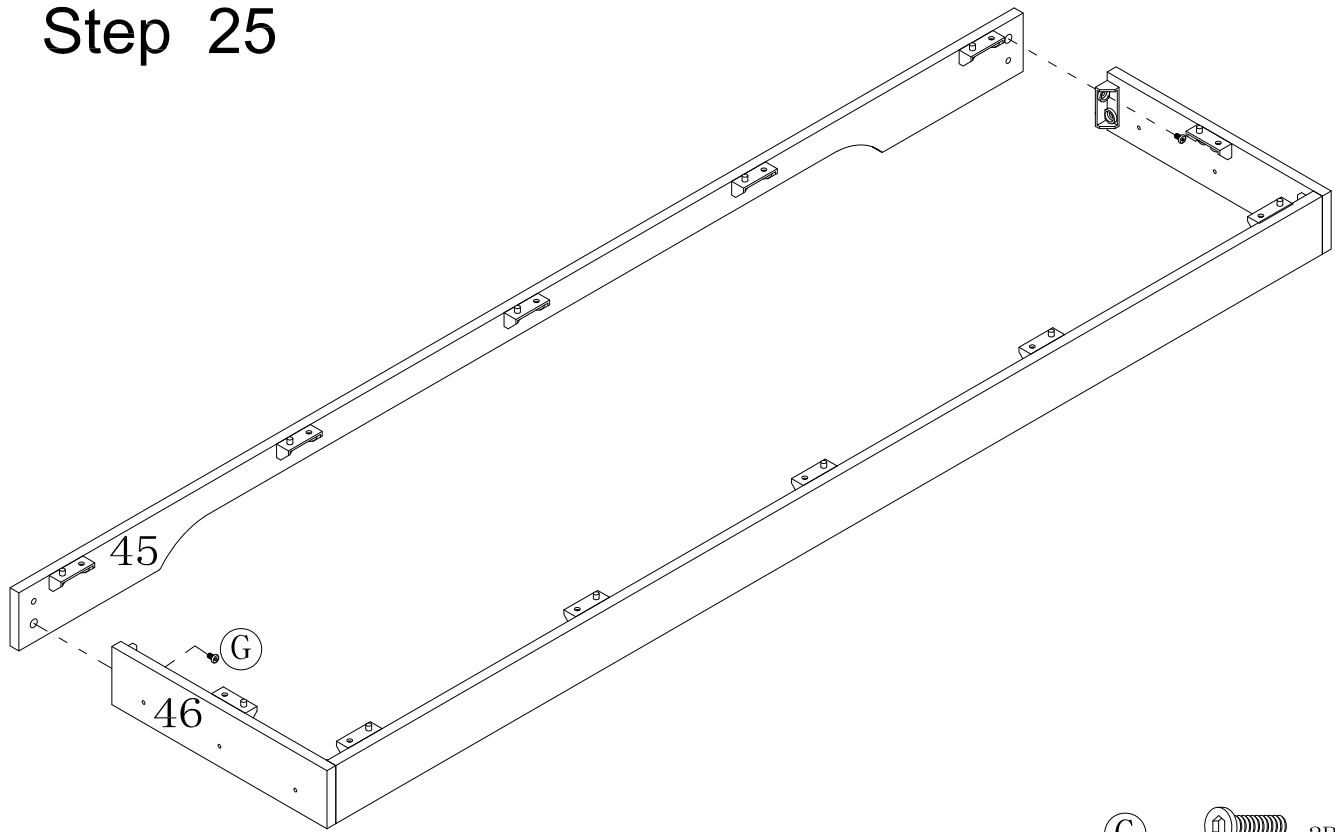
Step 24





(G)  2PCS
M6*12

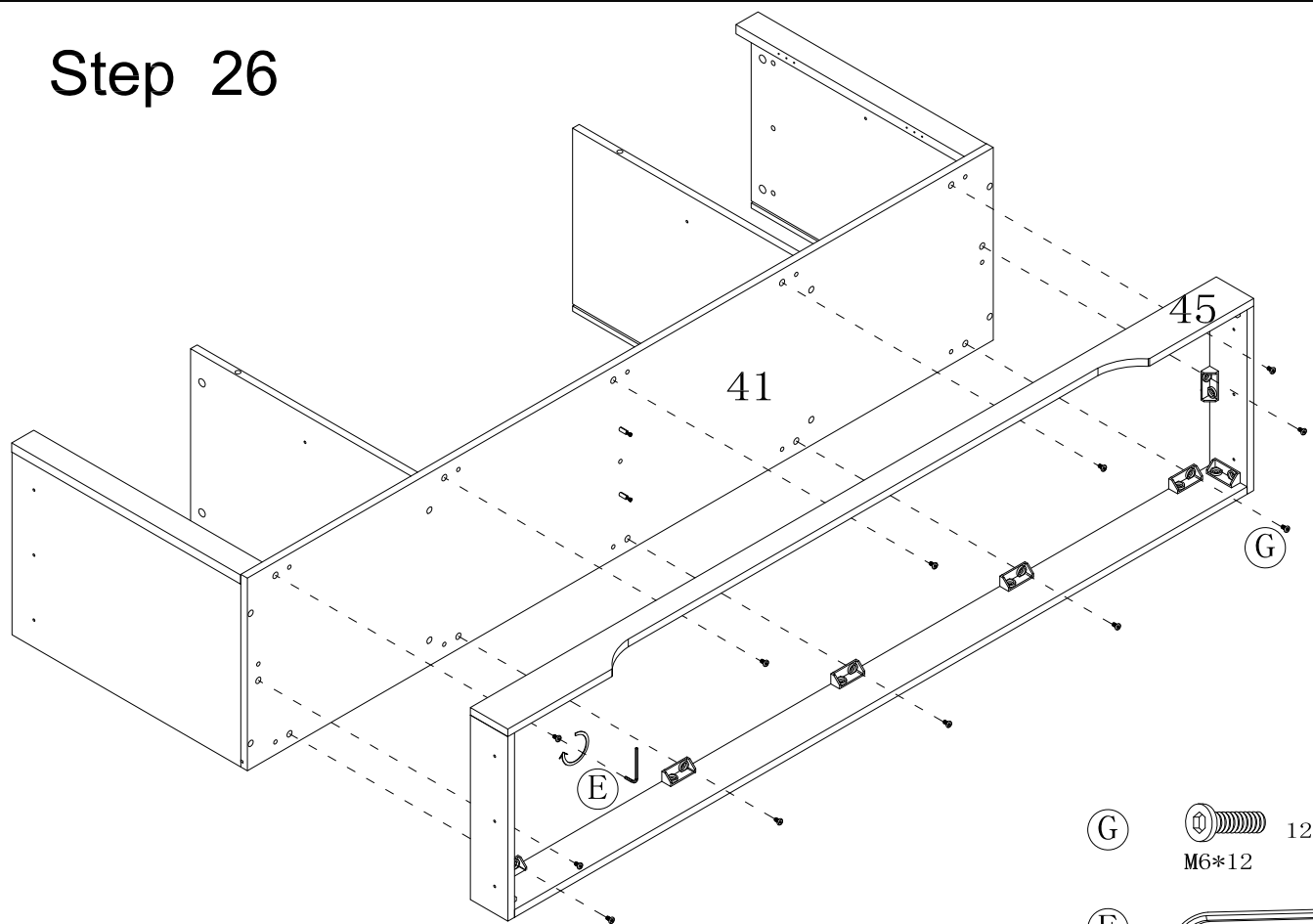
(E)  M4



Step 25



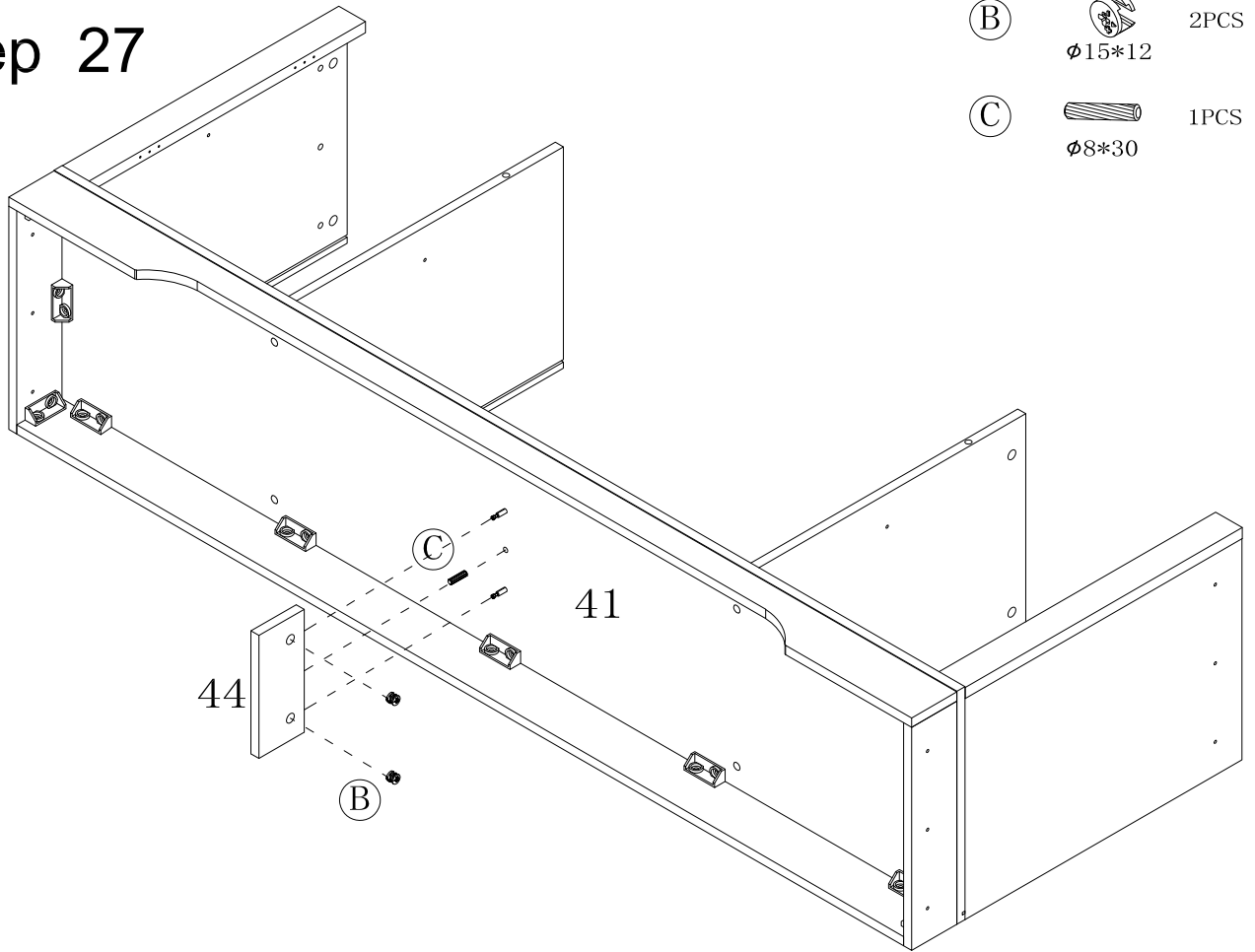
- (G)  2PCS
M6*12
- (E)  M4

Step 26

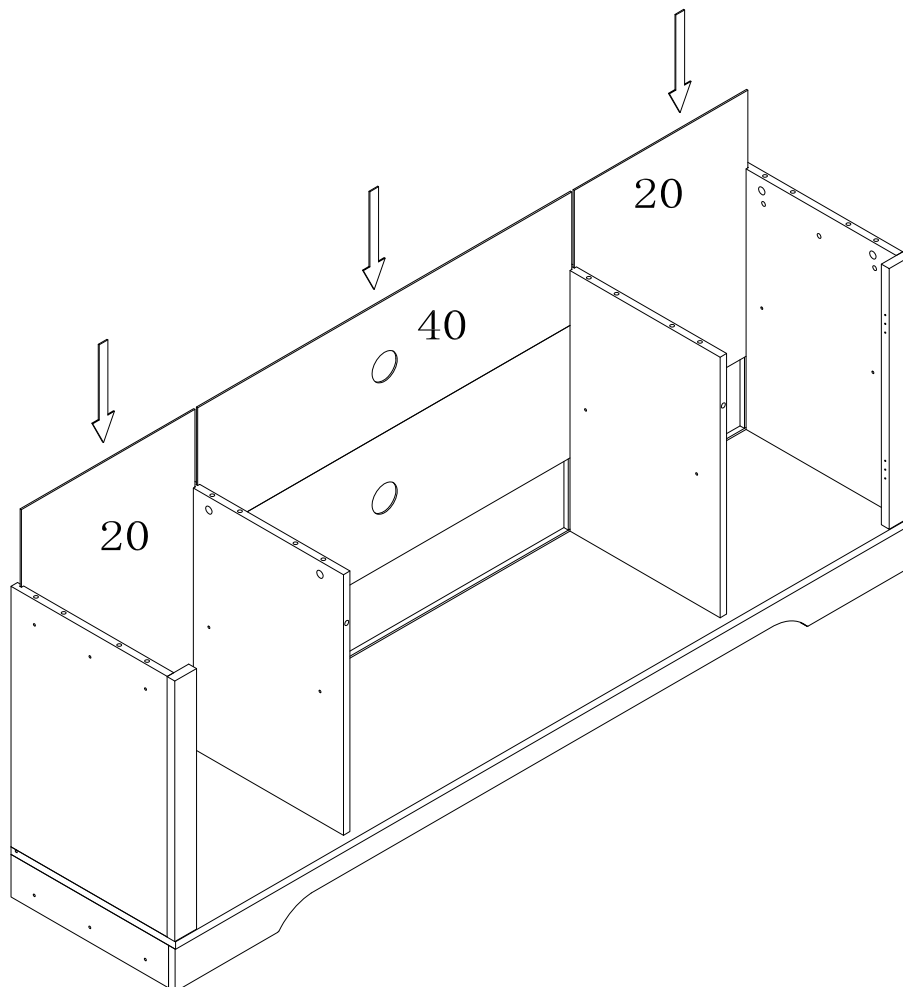


- (G)  12PCS
M6*12
- (E)  M4

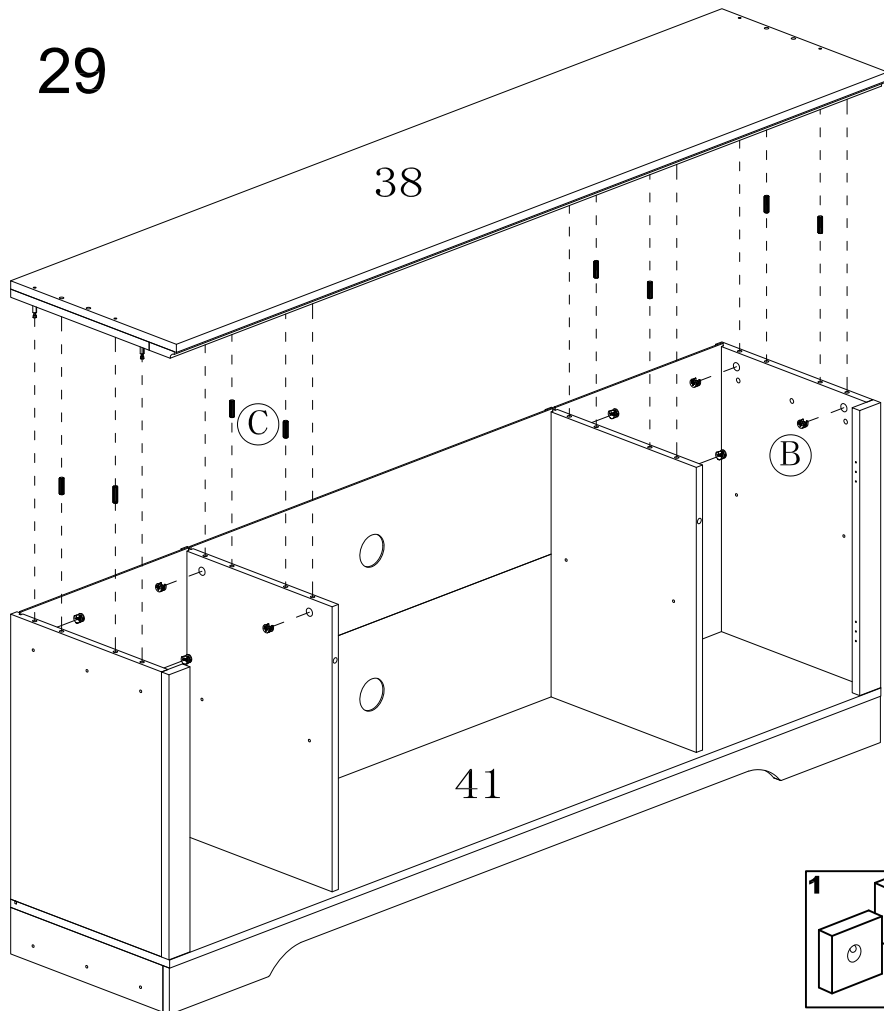
Step 27





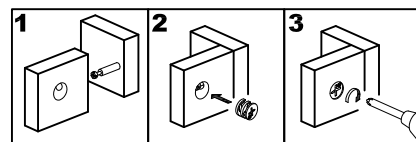
Step 28



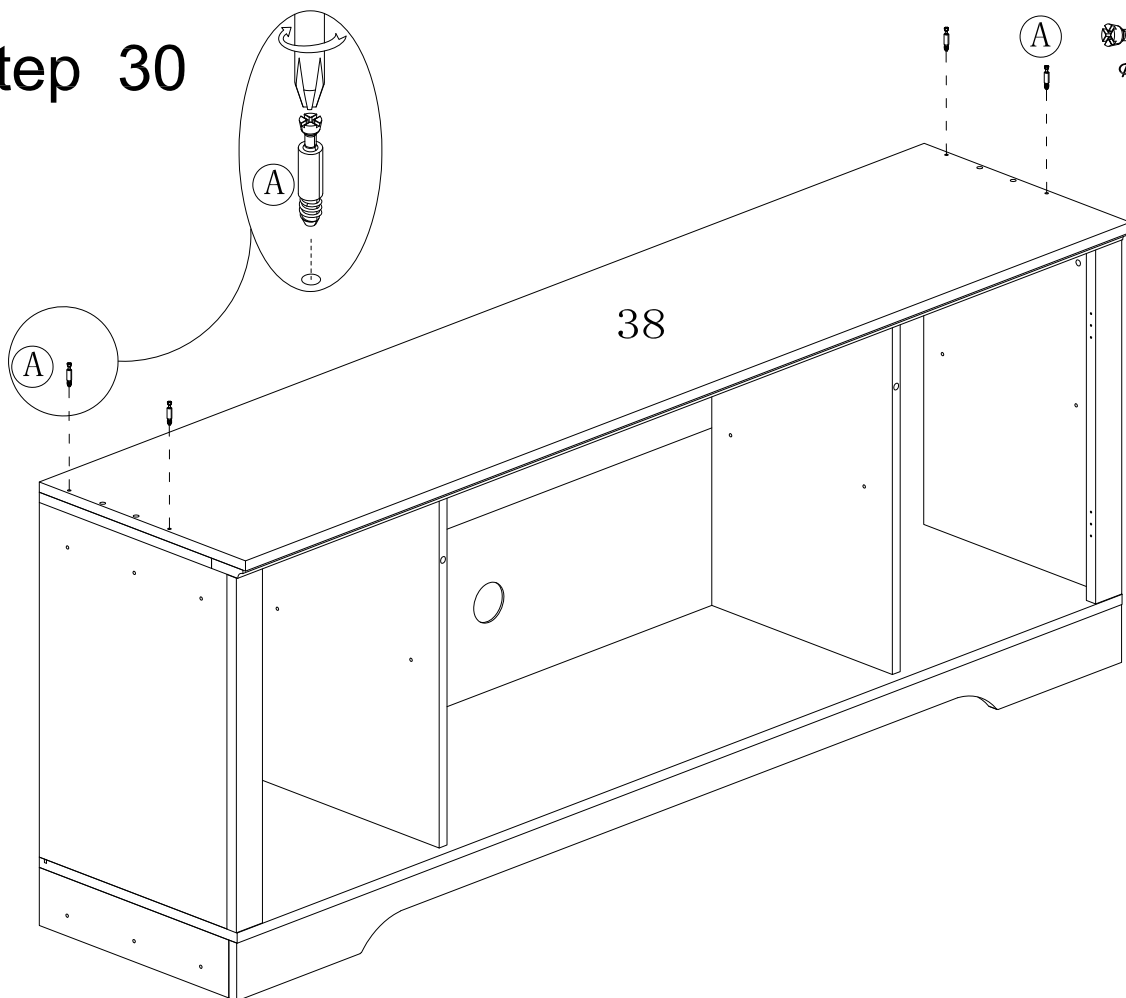
Step 29

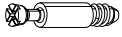


- (B)  8PCS
 $\phi 15 \times 12$
- (C)  8PCS
 $\phi 8 \times 30$

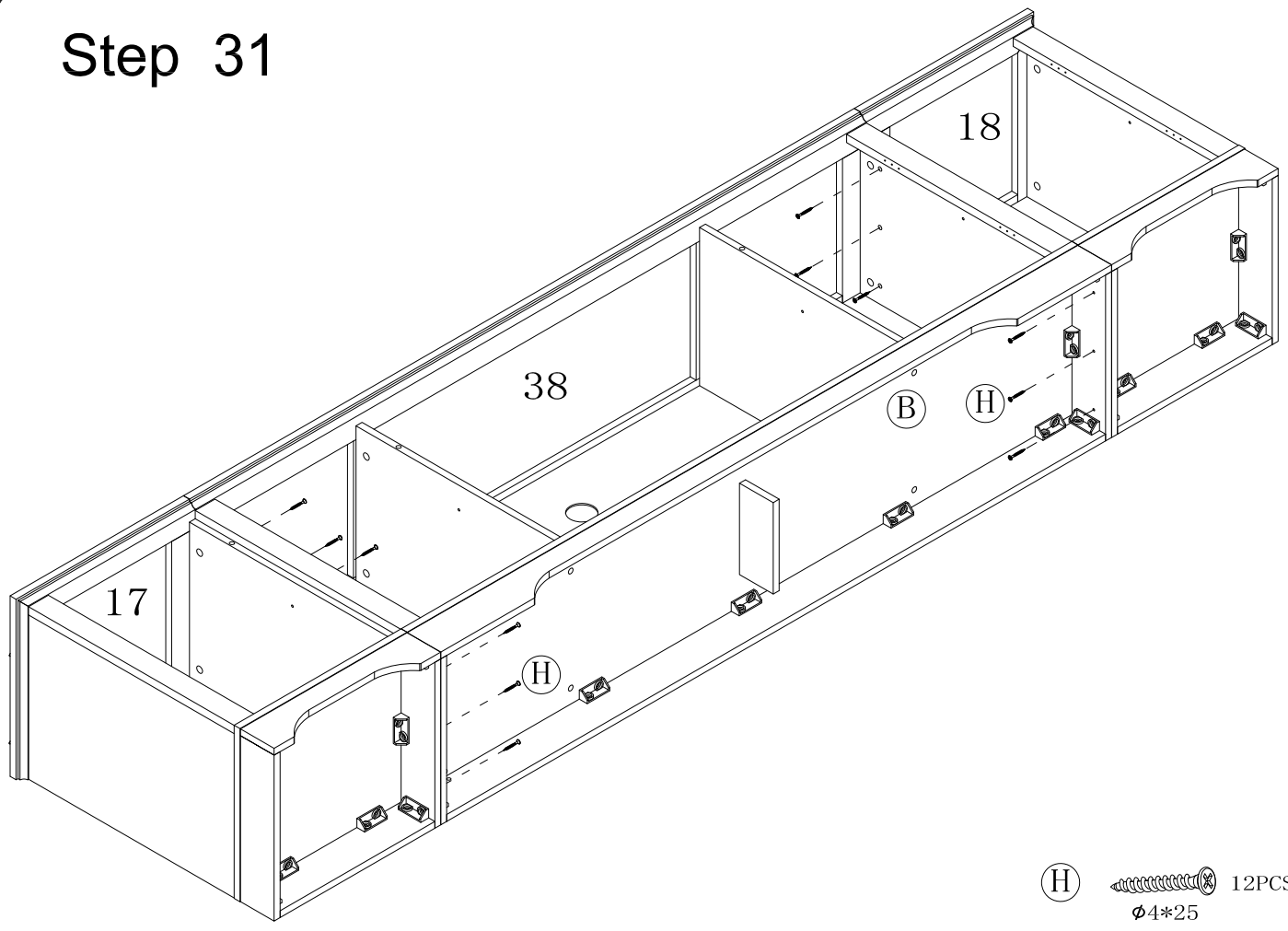


Step 30

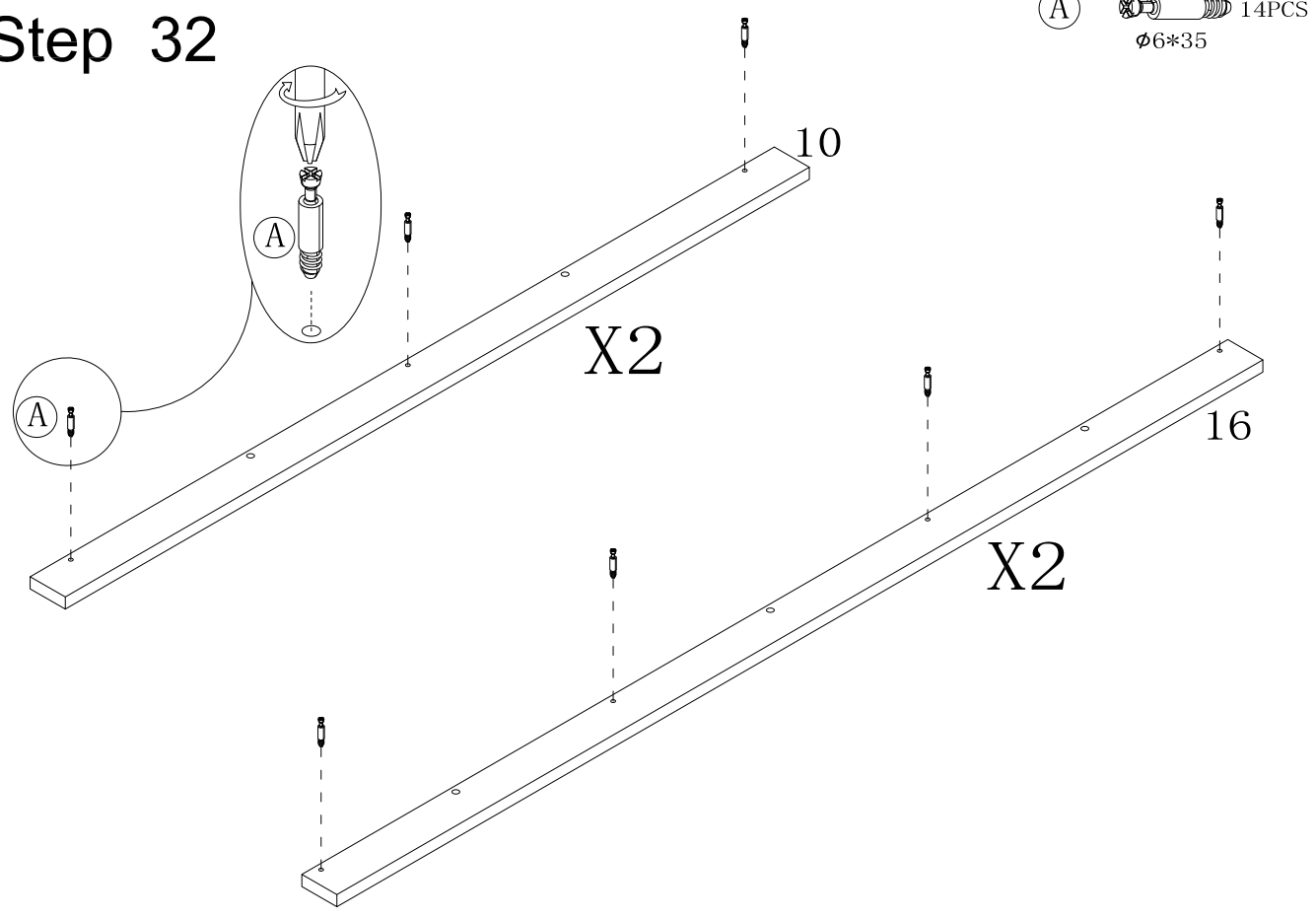


- (A)  4PCS
 $\phi 6 \times 35$


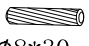
Step 31

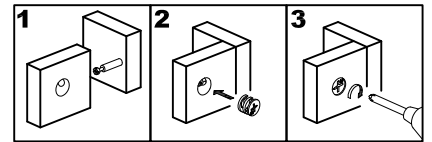
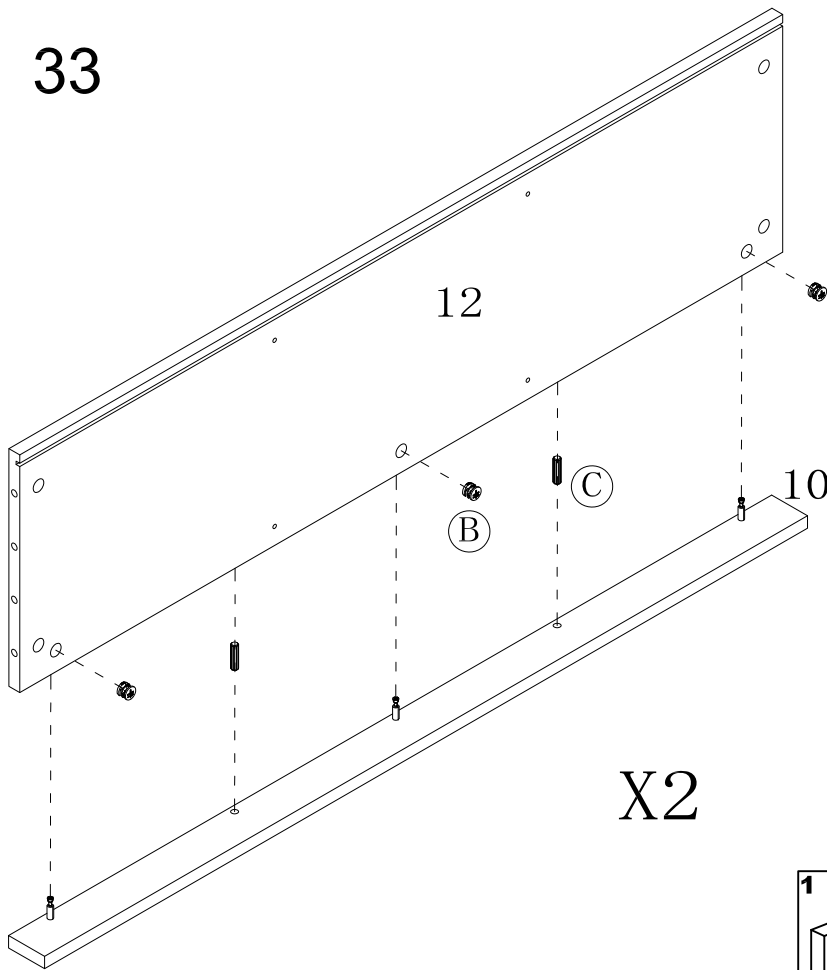


Step 32

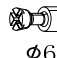


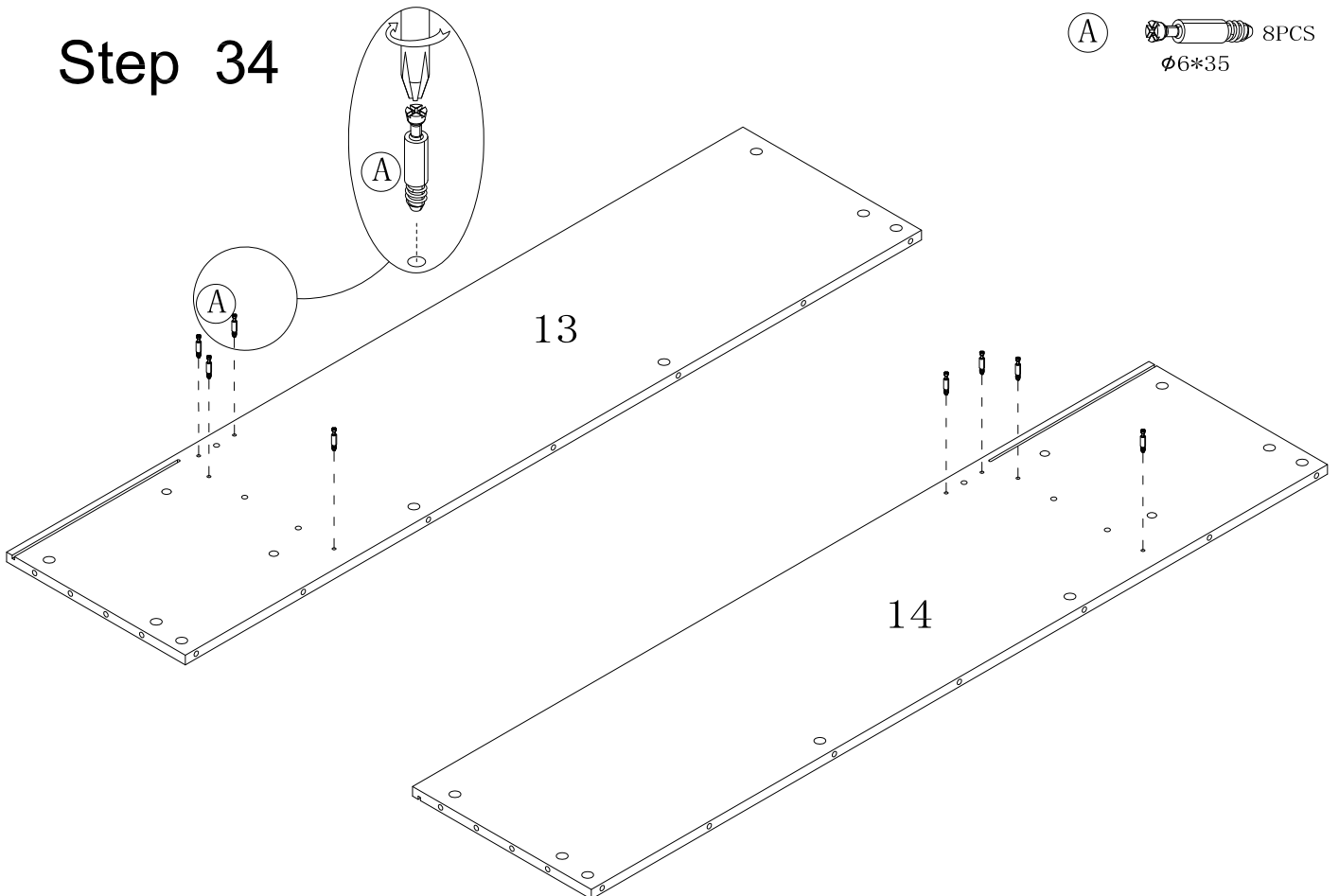
Step 33

- (B)  6PCS
 $\phi 15 \times 12$
- (C)  4PCS
 $\phi 8 \times 30$

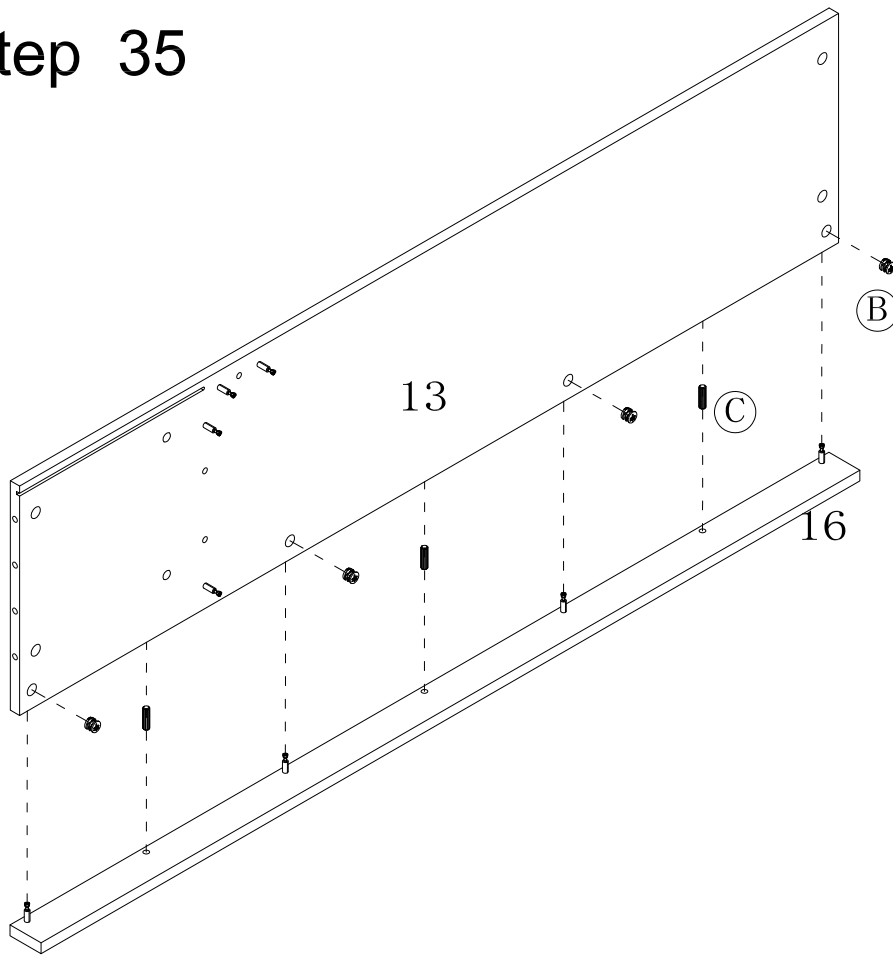



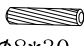
Step 34

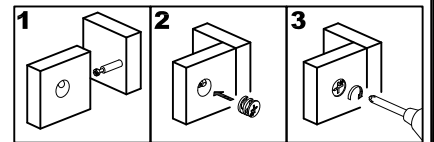
- (A)  8PCS
 $\phi 6 \times 35$



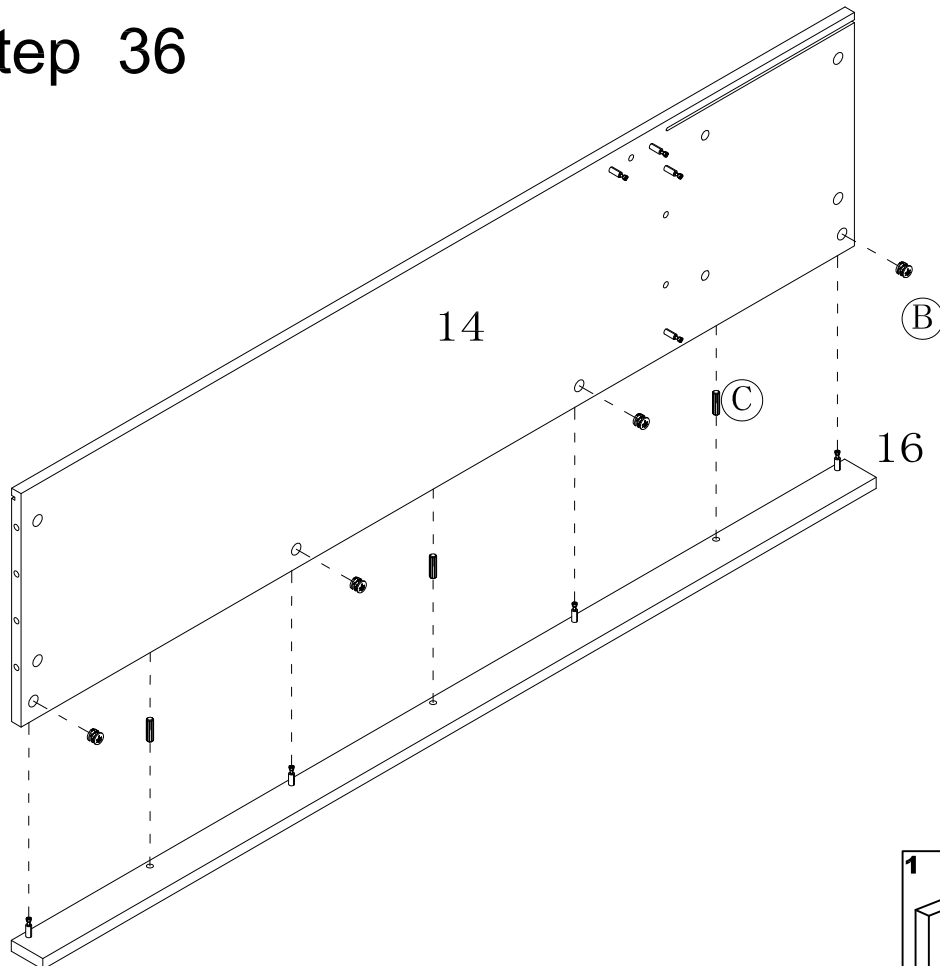
Step 35


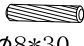


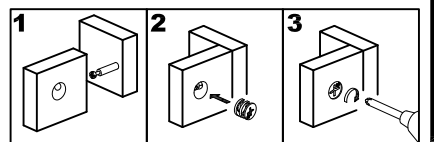
- (B)  4PCS
 $\phi 15 \times 12$
- (C)  3PCS
 $\phi 8 \times 30$



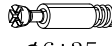
Step 36

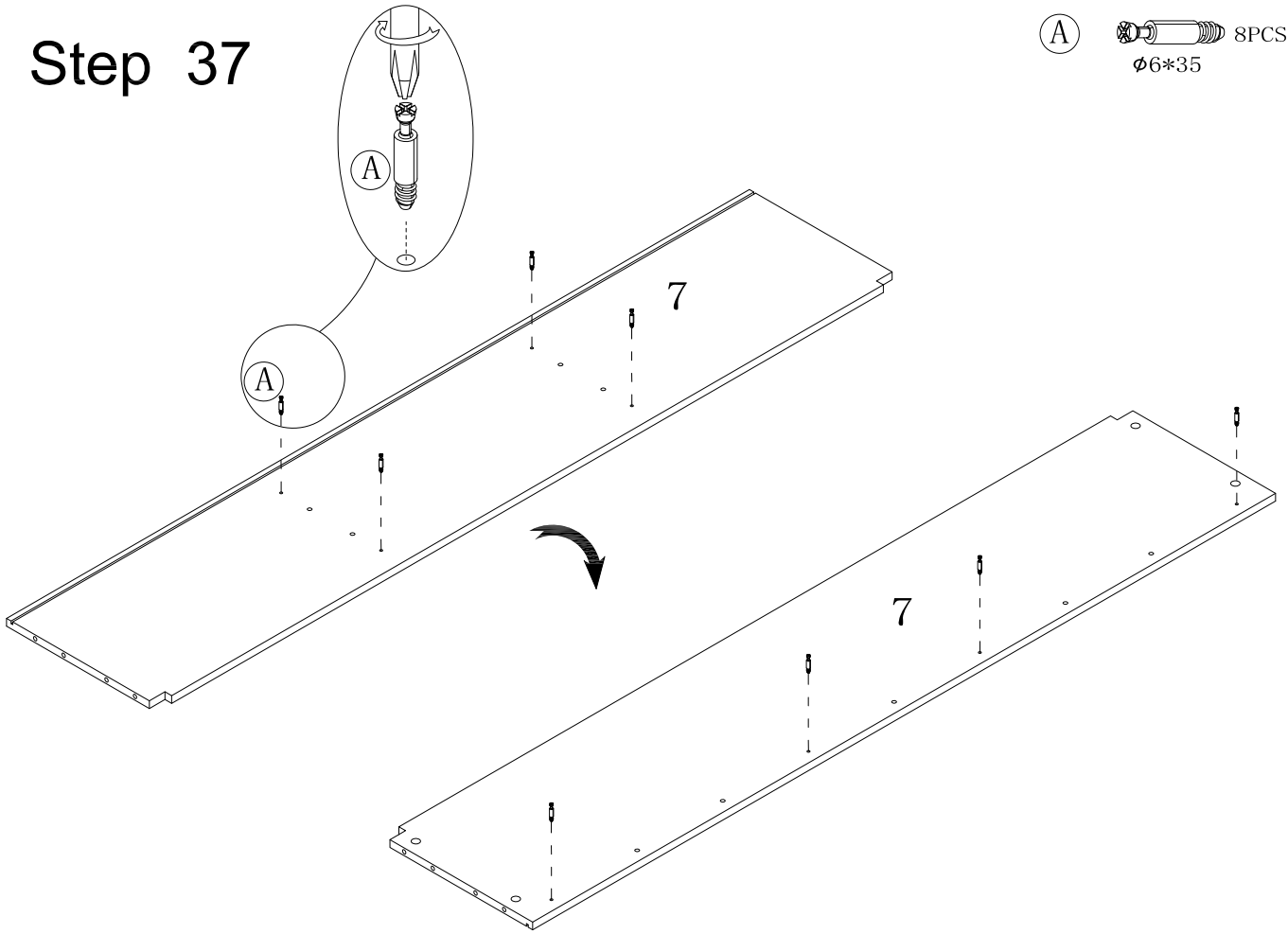


- (B)  4PCS
 $\phi 15 \times 12$
- (C)  3PCS
 $\phi 8 \times 30$




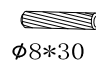
Step 37

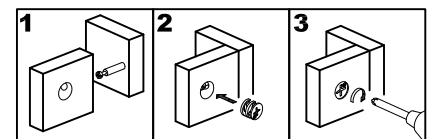
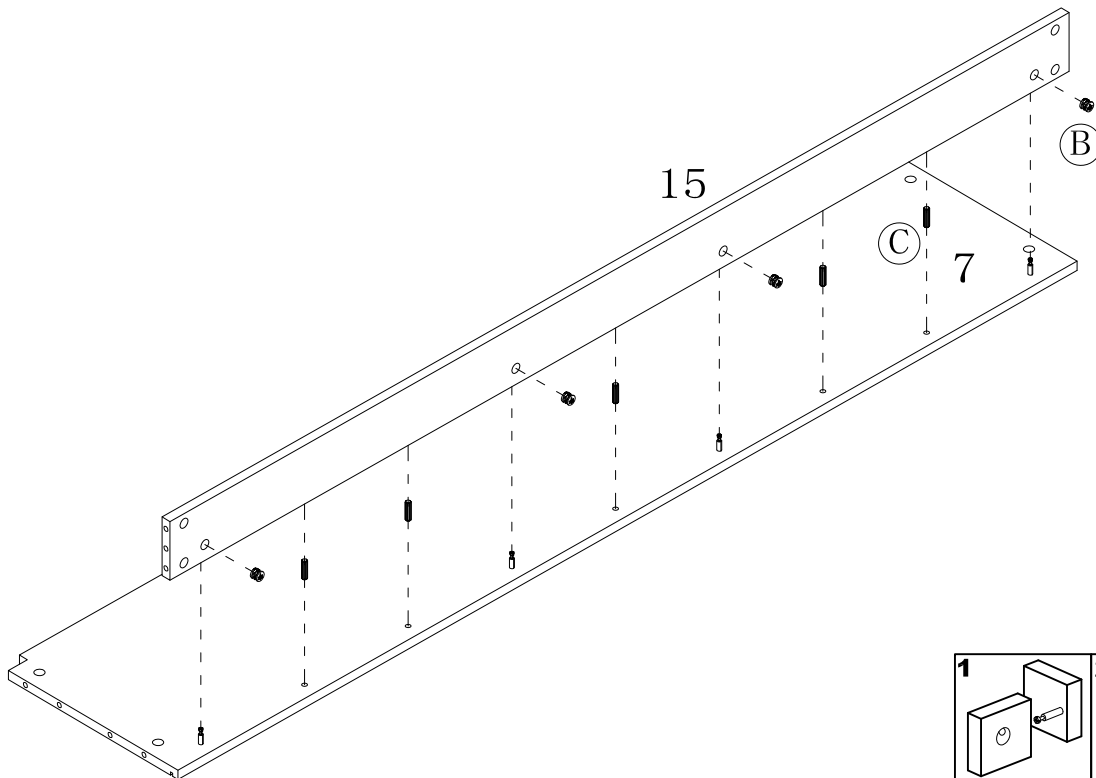
(A)  8PCS
Ø6*35




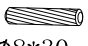
Step 38

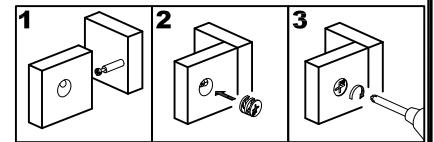
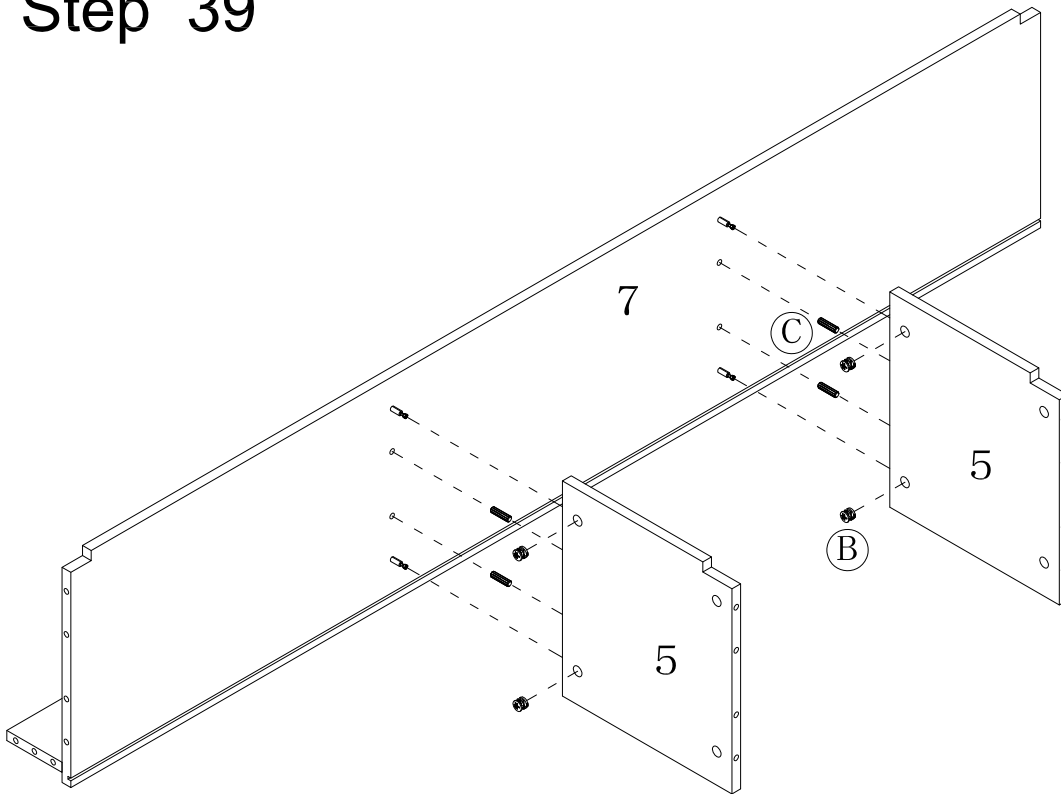
(B)  4PCS
Ø15*12

(C)  5PCS
Ø8*30


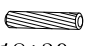


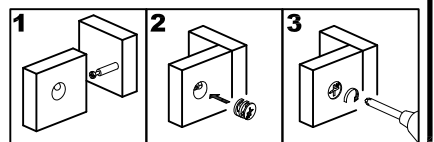
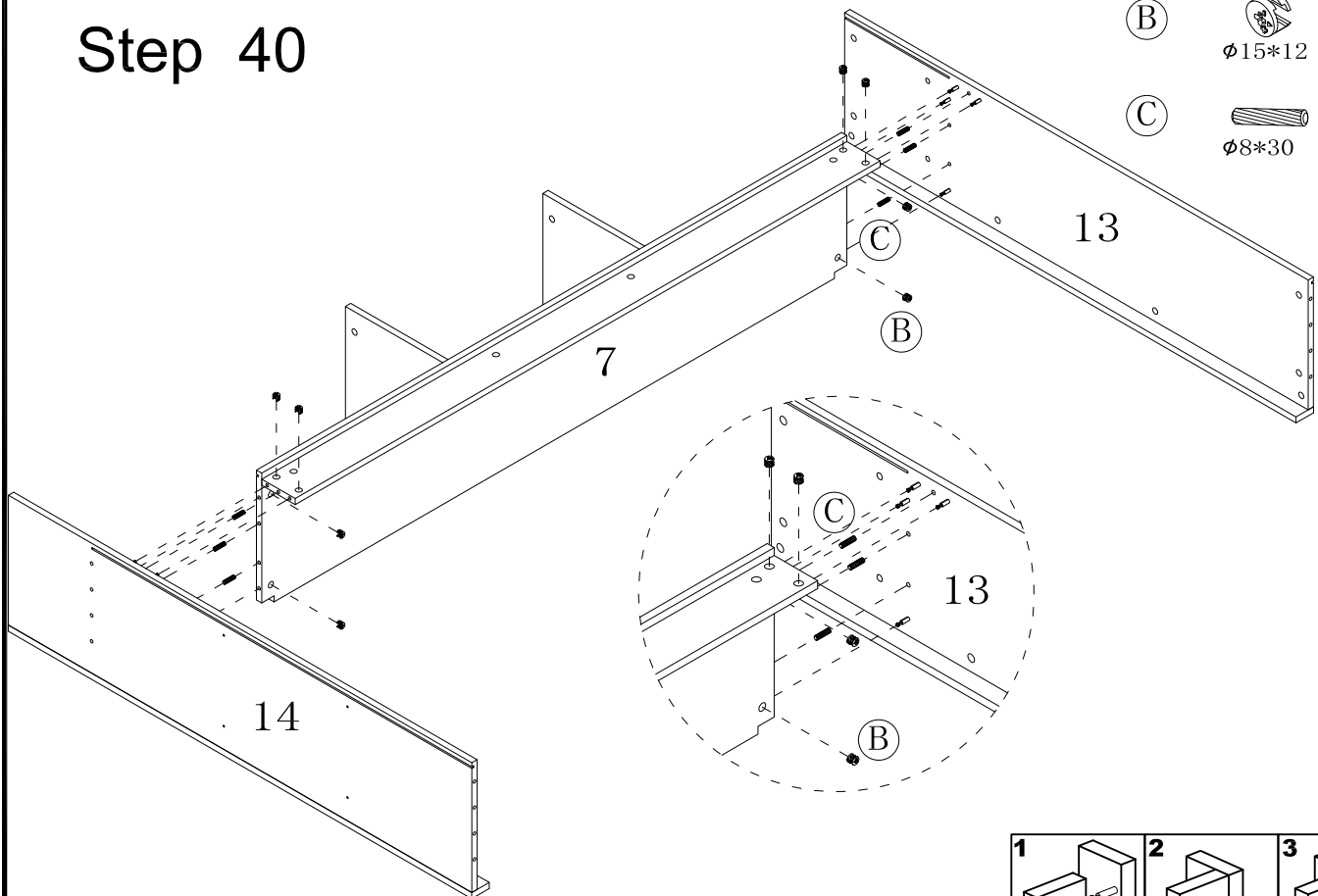
Step 39

- (B)  4PCS
 $\phi 15 \times 12$
- (C)  4PCS
 $\phi 8 \times 30$

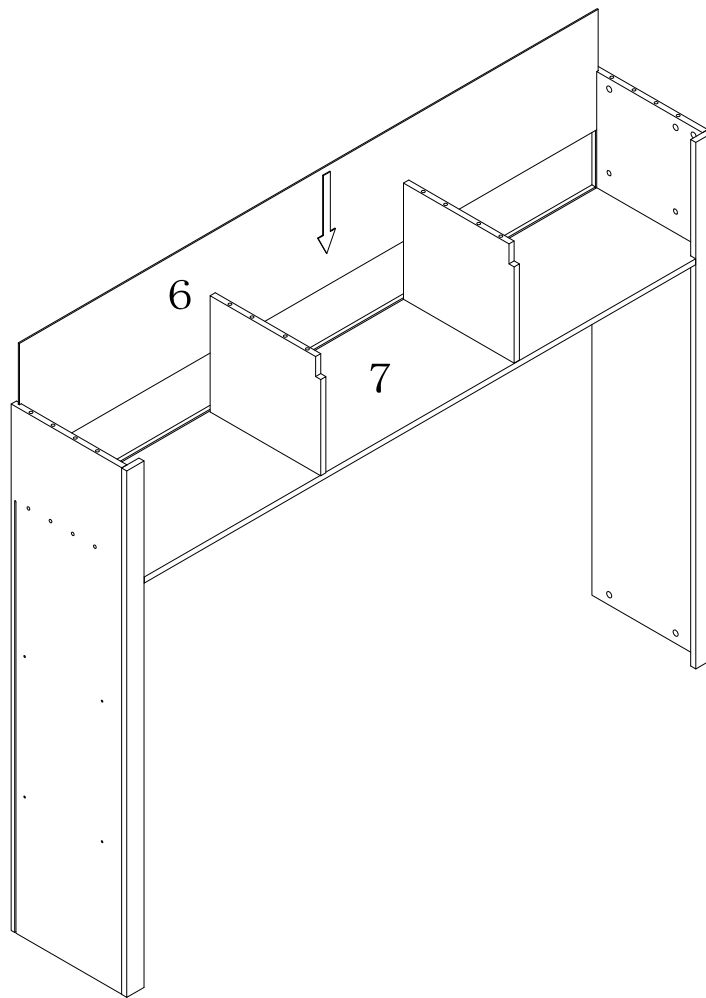


Step 40

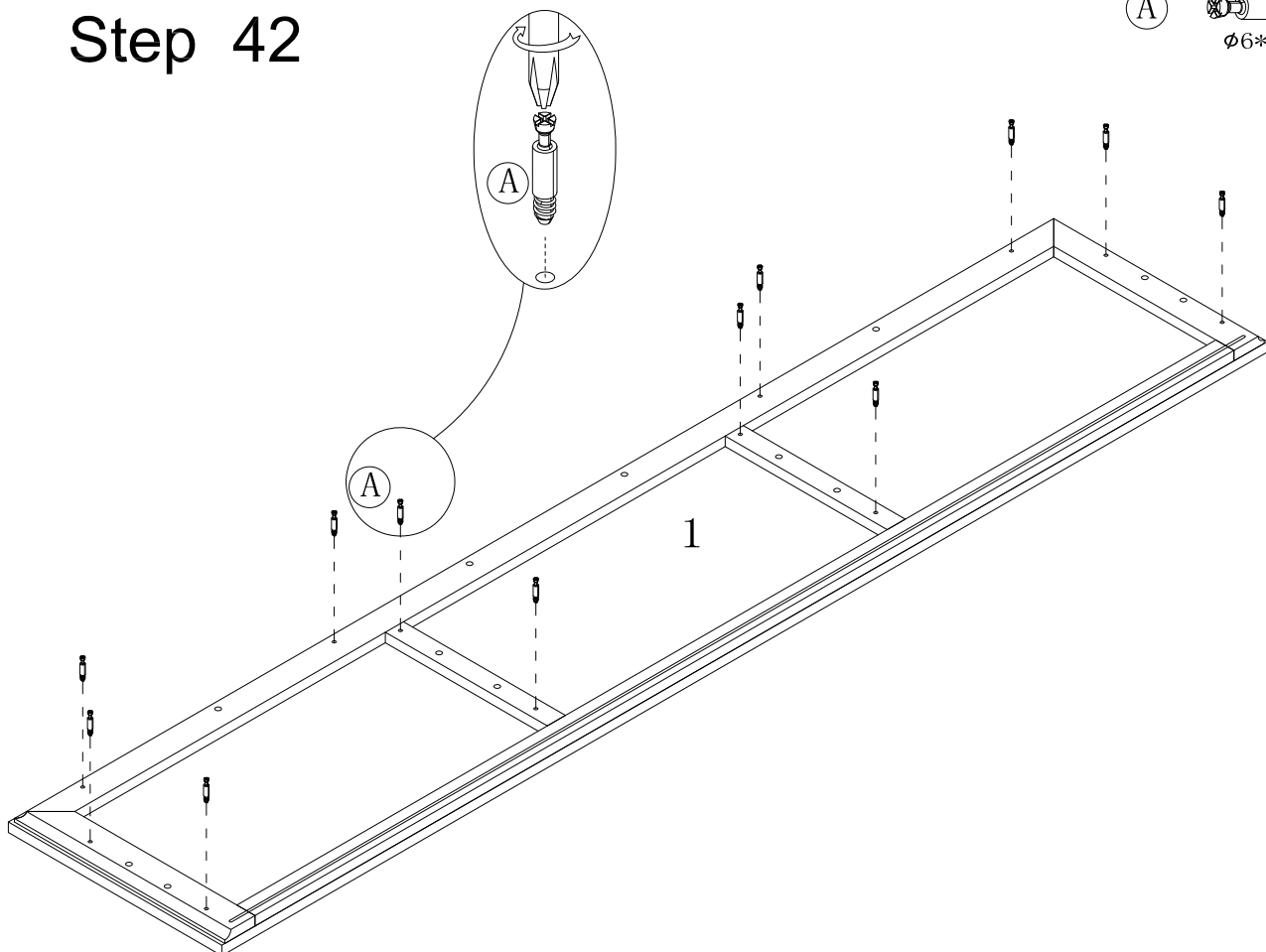
- (B)  8PCS
 $\phi 15 \times 12$
- (C)  6PCS
 $\phi 8 \times 30$

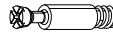


Step 41


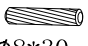


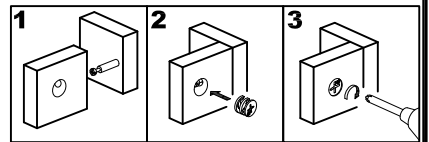
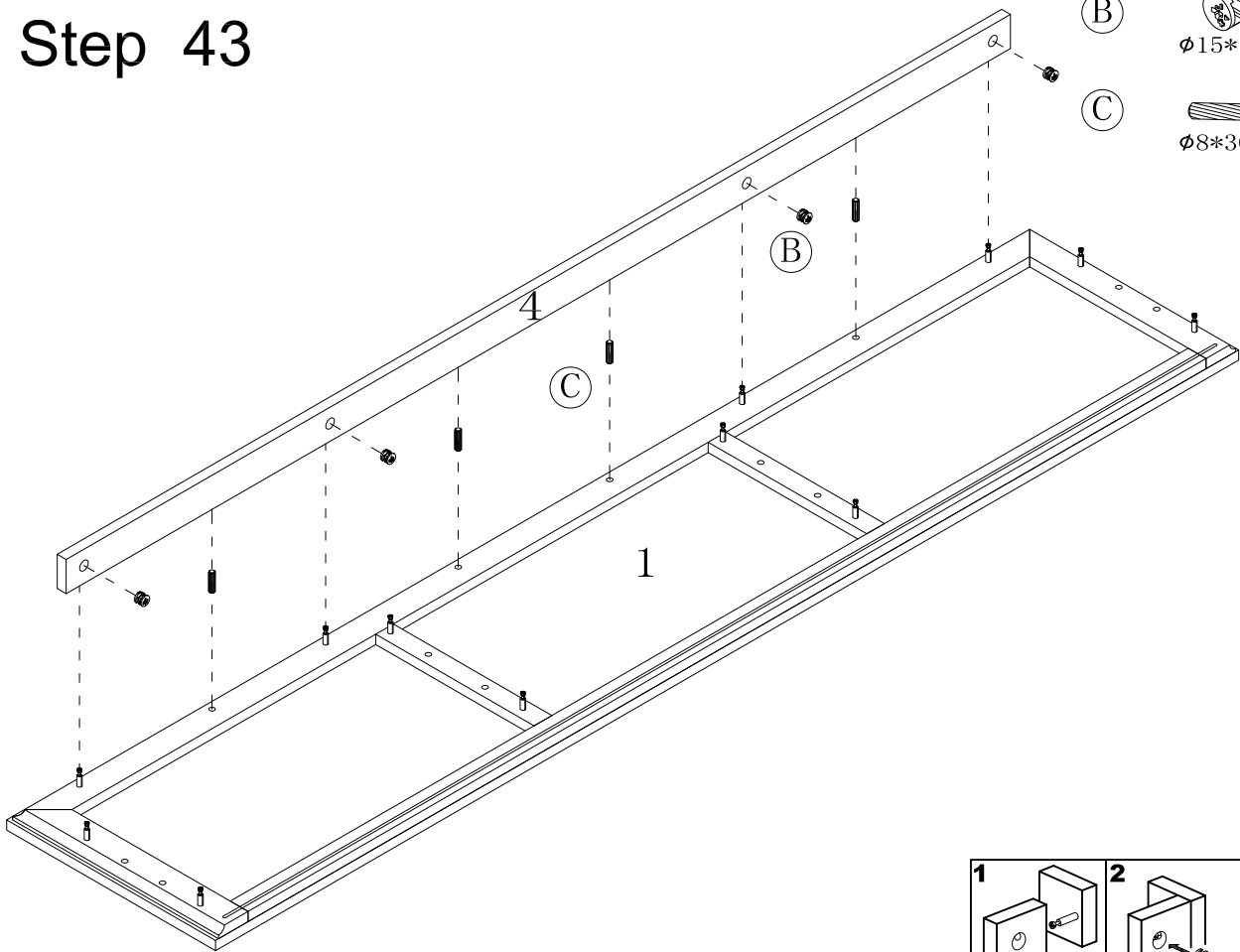
Step 42





(A)  12PCS
Ø6*35

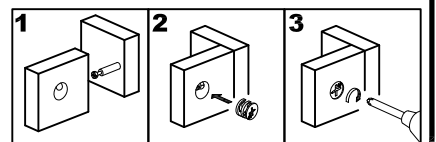
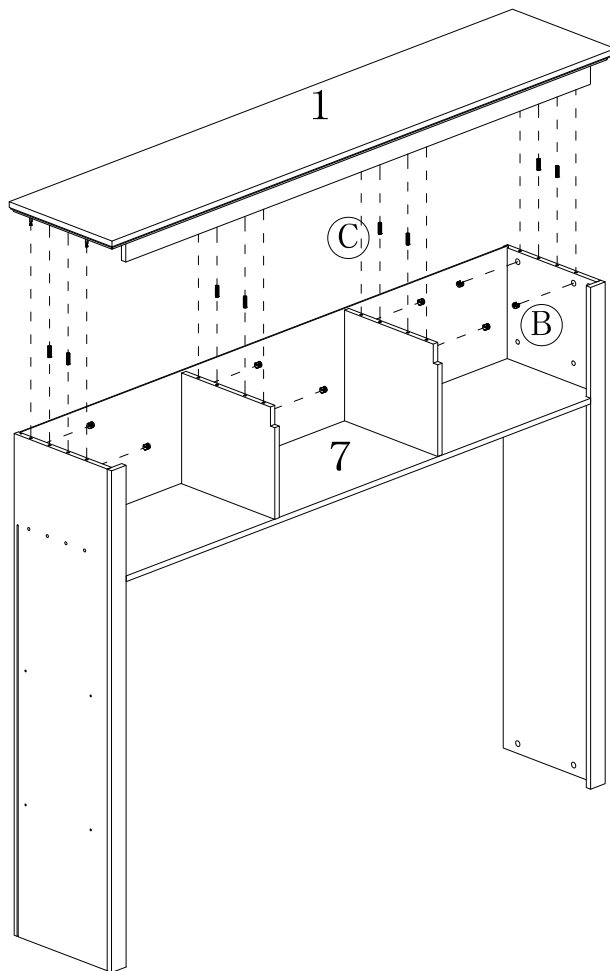
Step 43

- (B)  4PCS
 $\phi 15 \times 12$
- (C)  4PCS
 $\phi 8 \times 30$

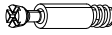


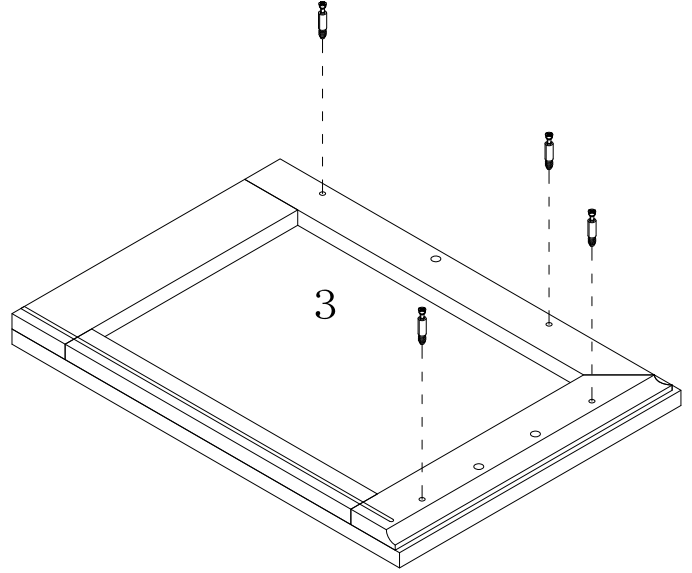
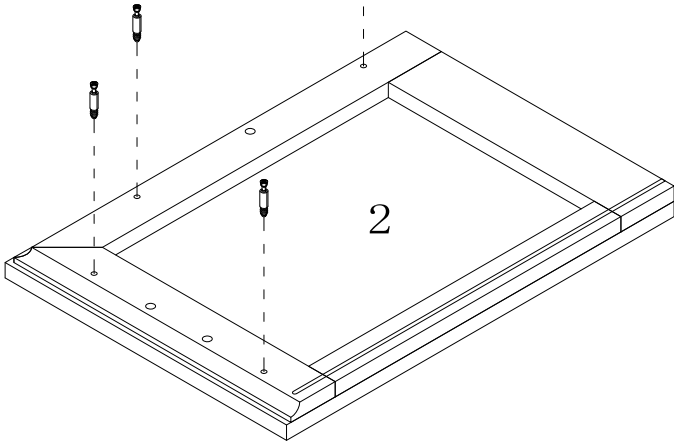
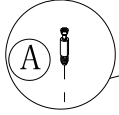
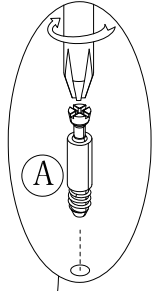
Step 44

- (B)  8PCS
 $\phi 15 \times 12$
- (C)  8PCS
 $\phi 8 \times 30$



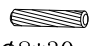
Step 45

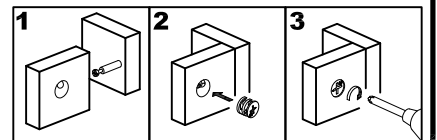
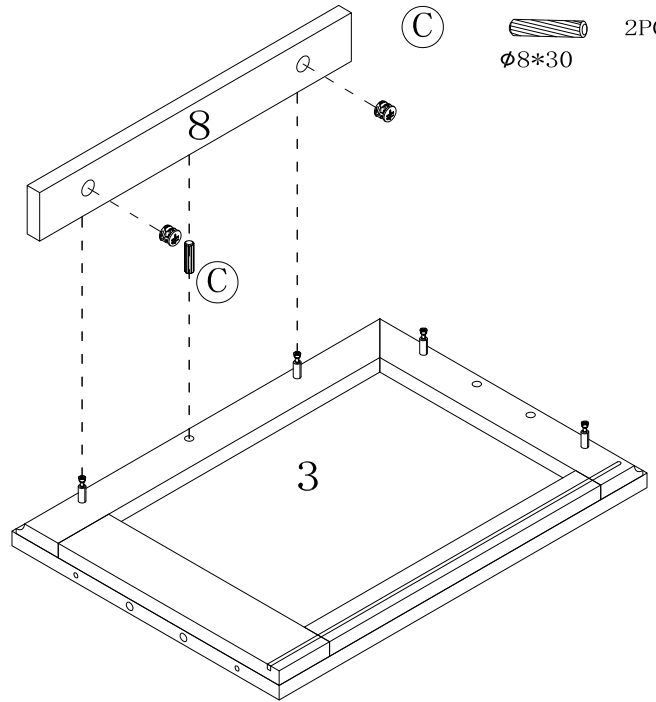
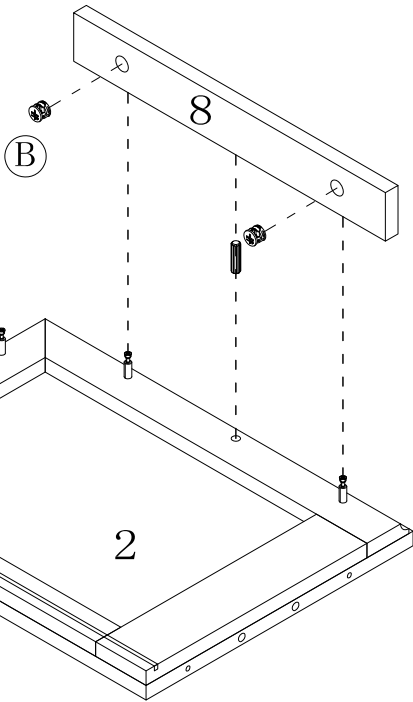
(A)  8PCS
Ø6*35



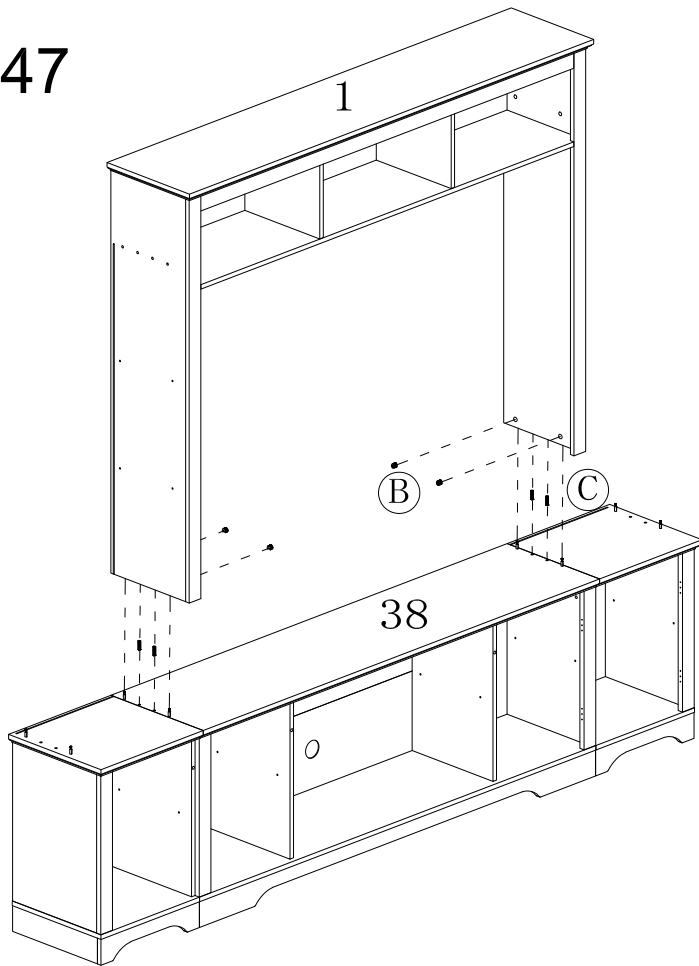
Step 46



(B)  4PCS
Ø15*12

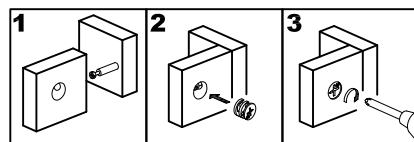
(C)  2PCS
Ø8*30



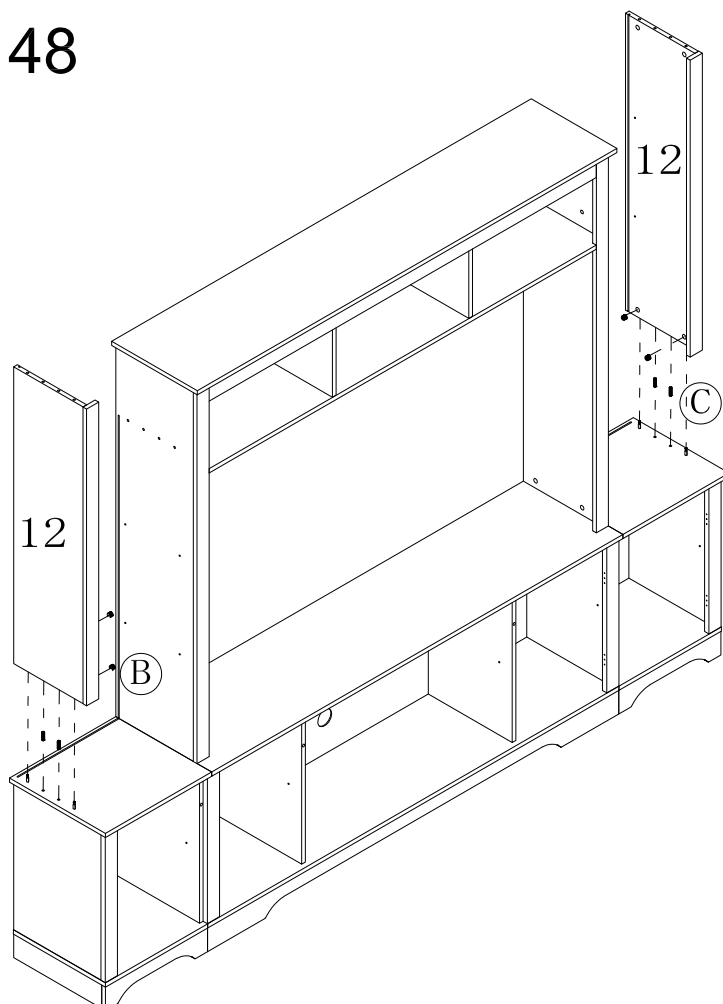
Step 47





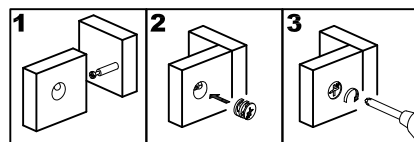
- (B)  4PCS
Ø15*12
- (C)  4PCS
Ø8*30



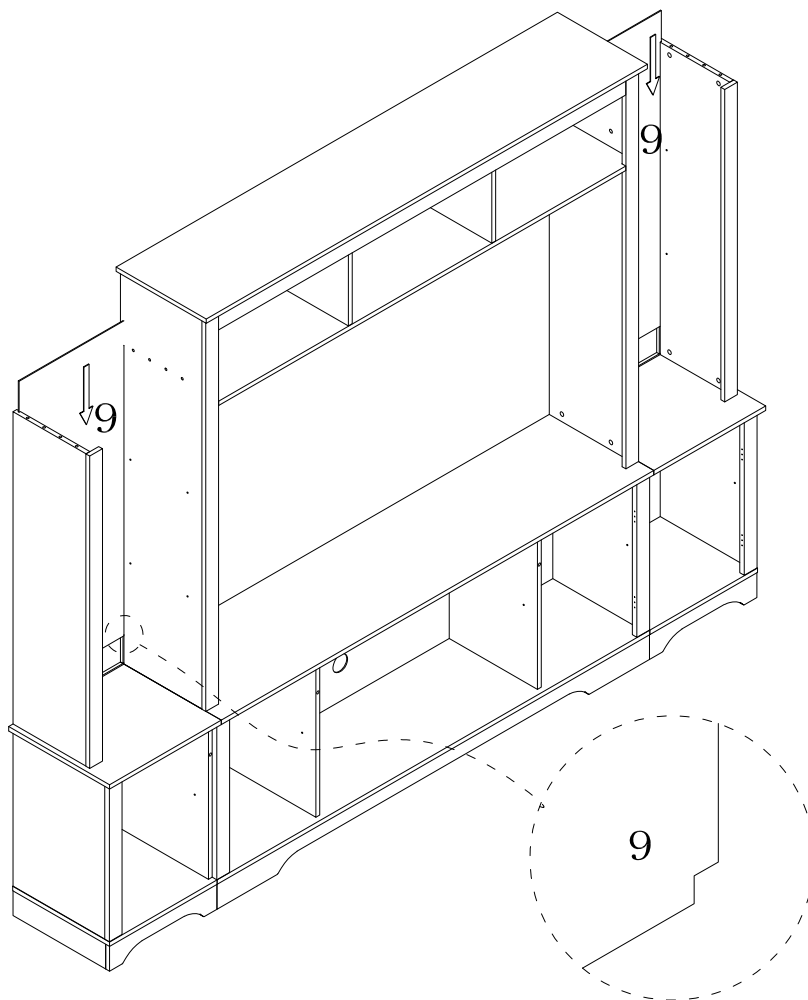
Step 48



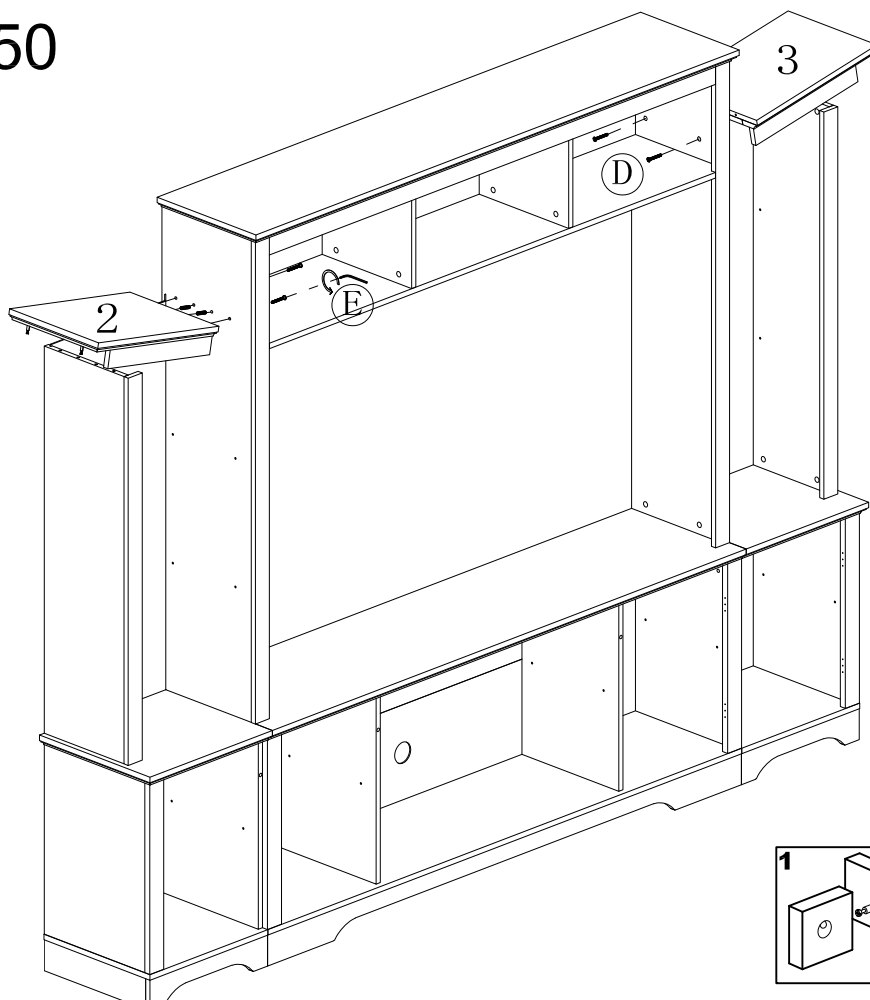
- (B)  4PCS
Ø15*12
- (C)  4PCS
Ø8*30







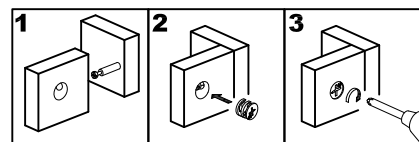
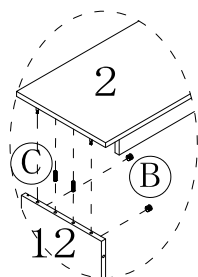
Step 49



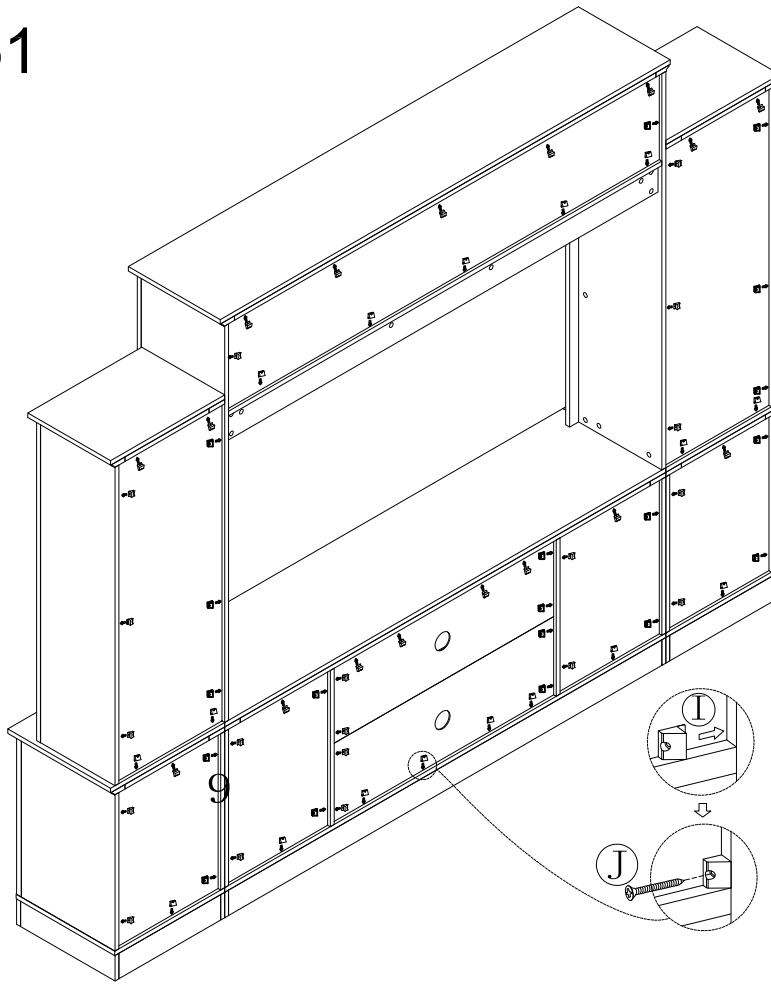
Step 50

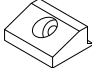



- (B)  4PCS
Ø15*12
- (C)  8PCS
Ø8*30
- (D)  4PCS
Ø6*50
- (E)  M4



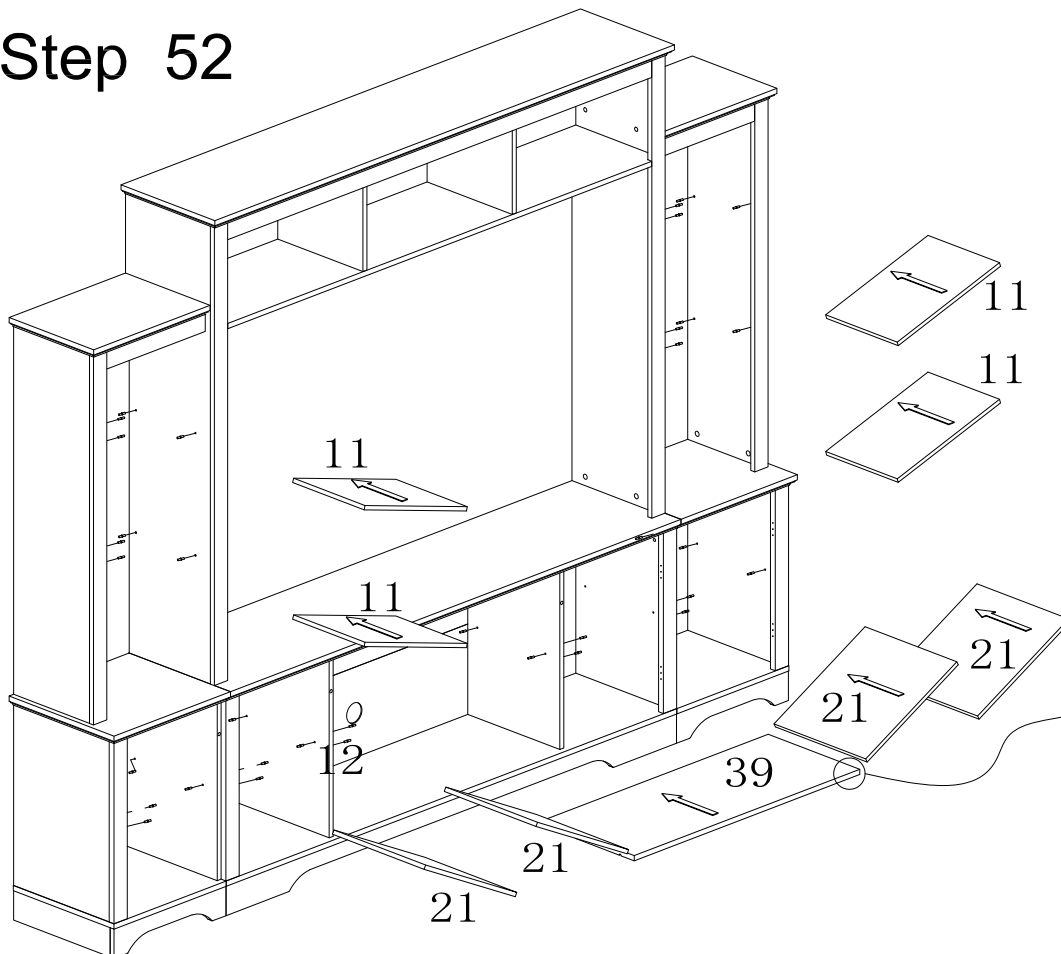
Step 51

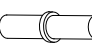


(I)  72PCS

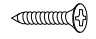
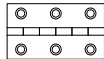
(J)  72PCS
Ø3*17

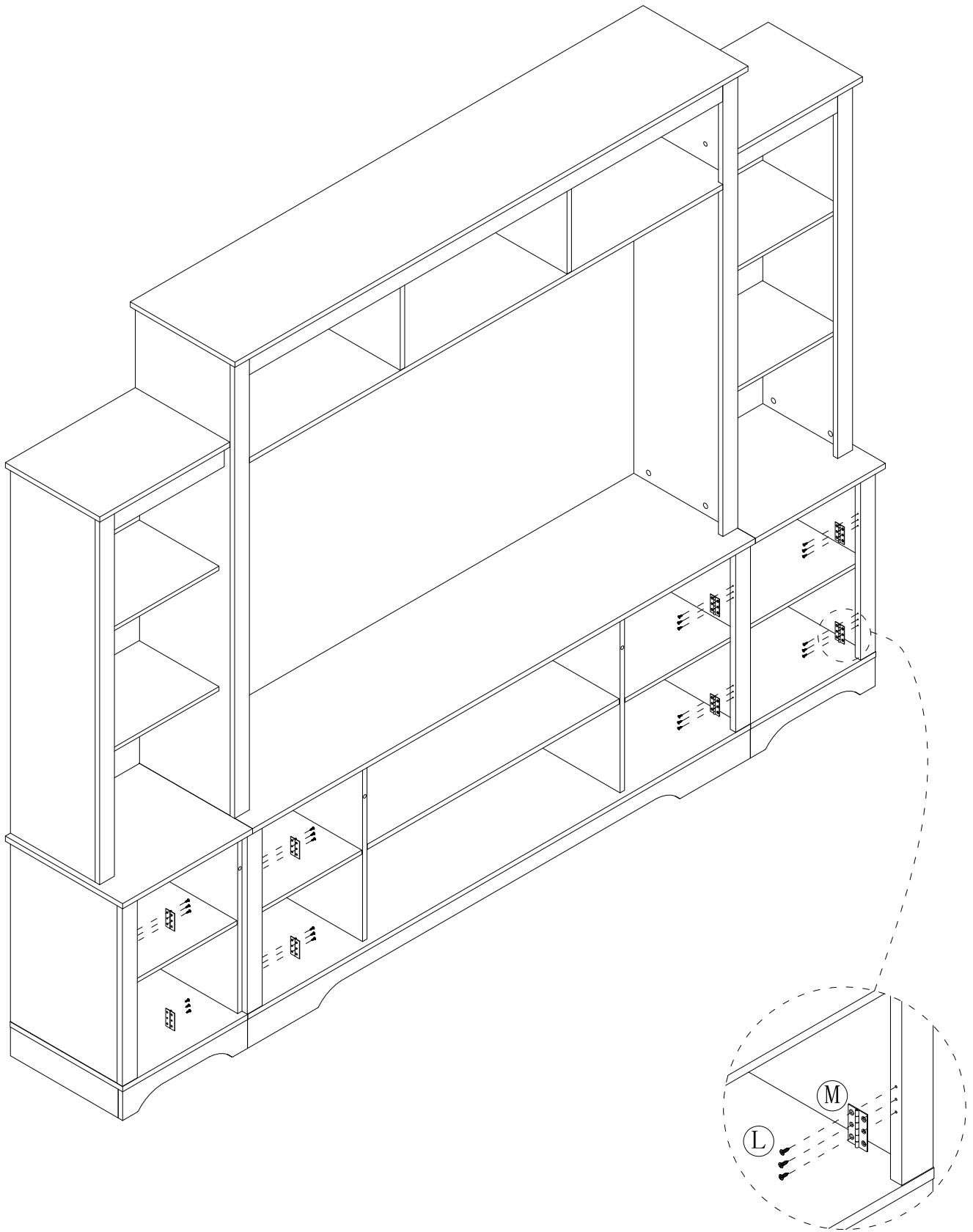
Step 52



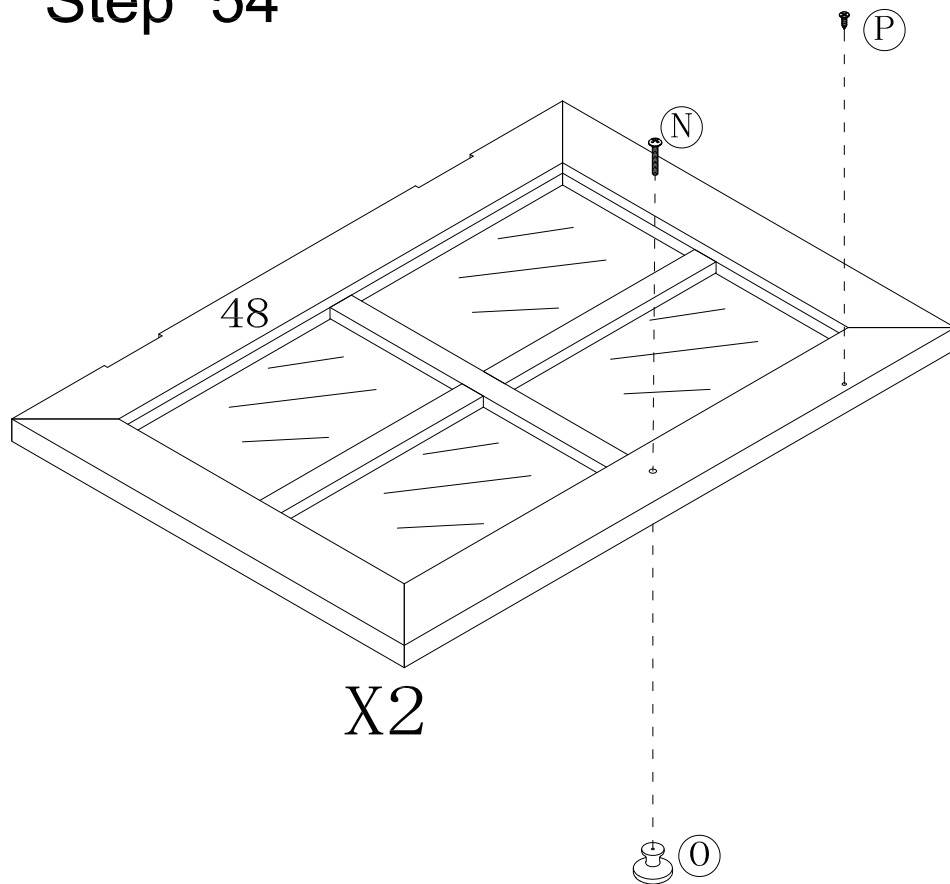
(K)  36PCS
Ø5*16



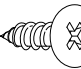
Step 53

- (L)  24PCS
Ø3*15
- (M)  8PCS

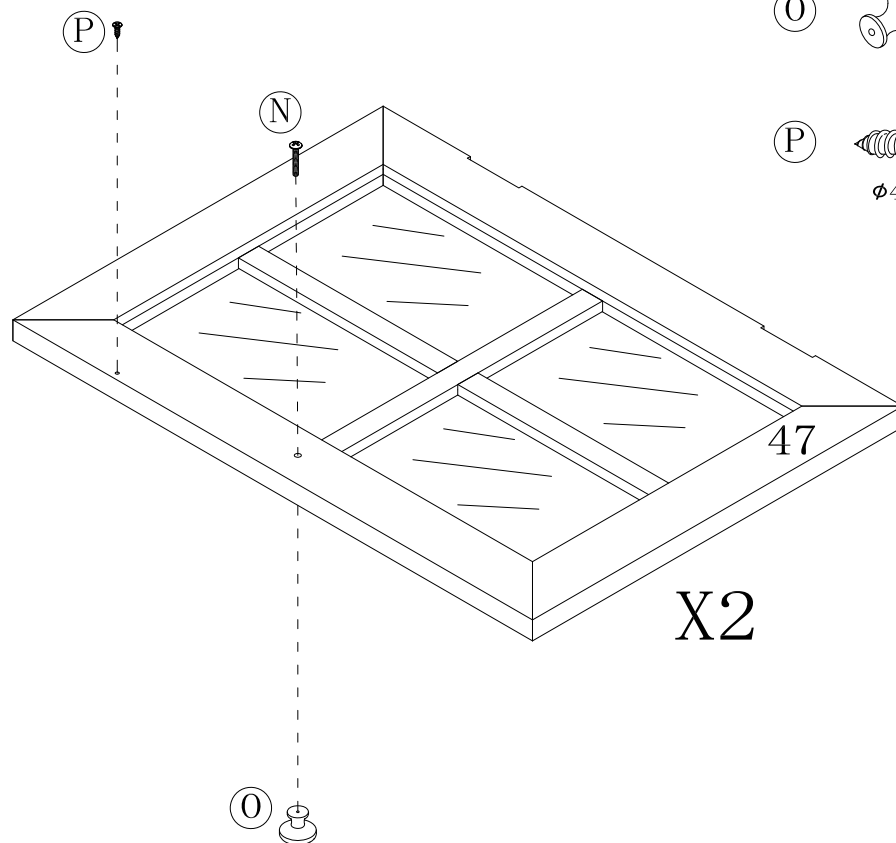




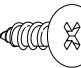
Step 54



- (N)  2PCS
M4*25
- (O)  2PCS
- (P)  2PCS
Ø4*12

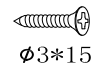
Step 55



- (N)  2PCS
M4*25
- (O)  2PCS
- (P)  4PCS
Ø4*12

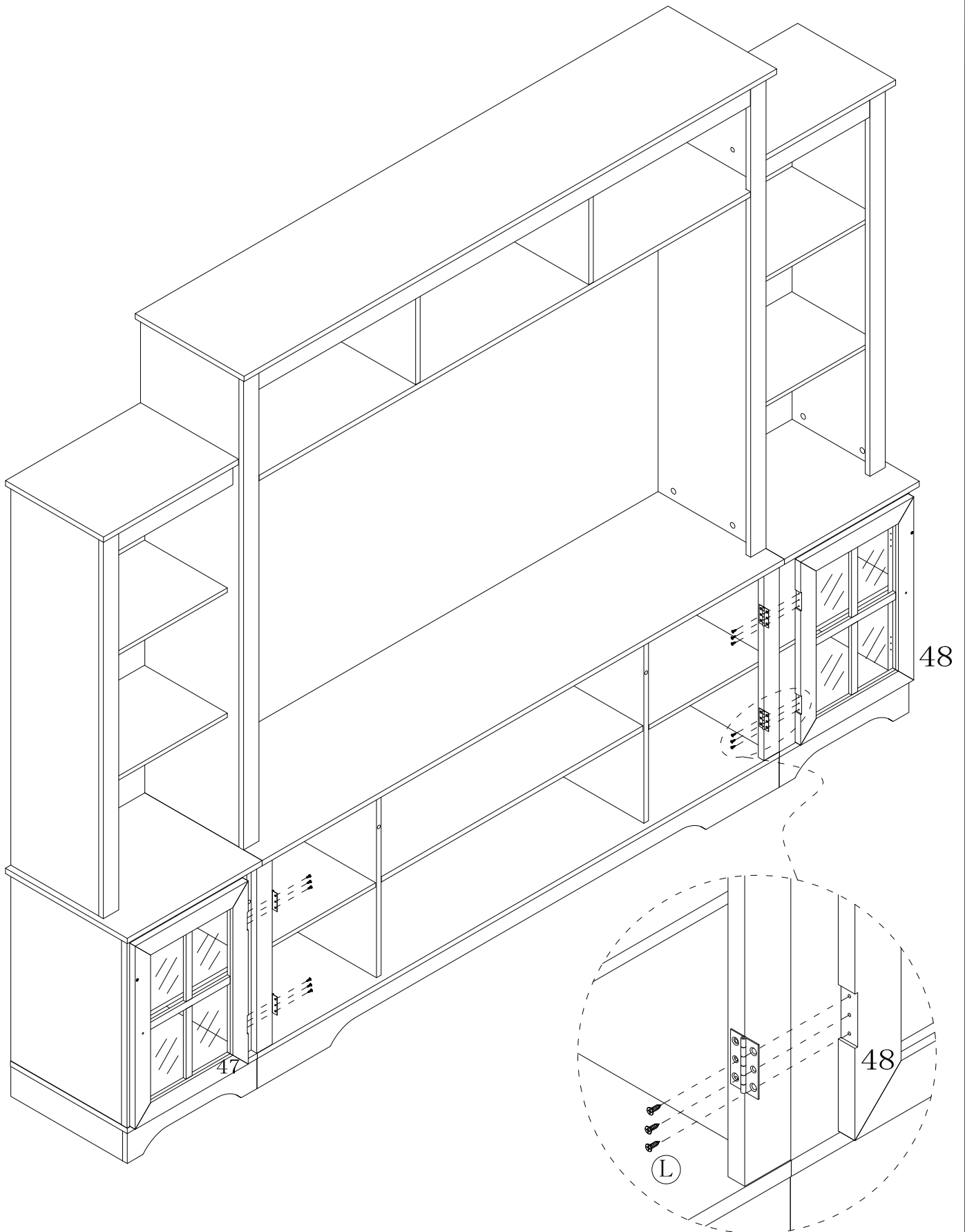
Step 56

(L)



12PCS

Ø3*15



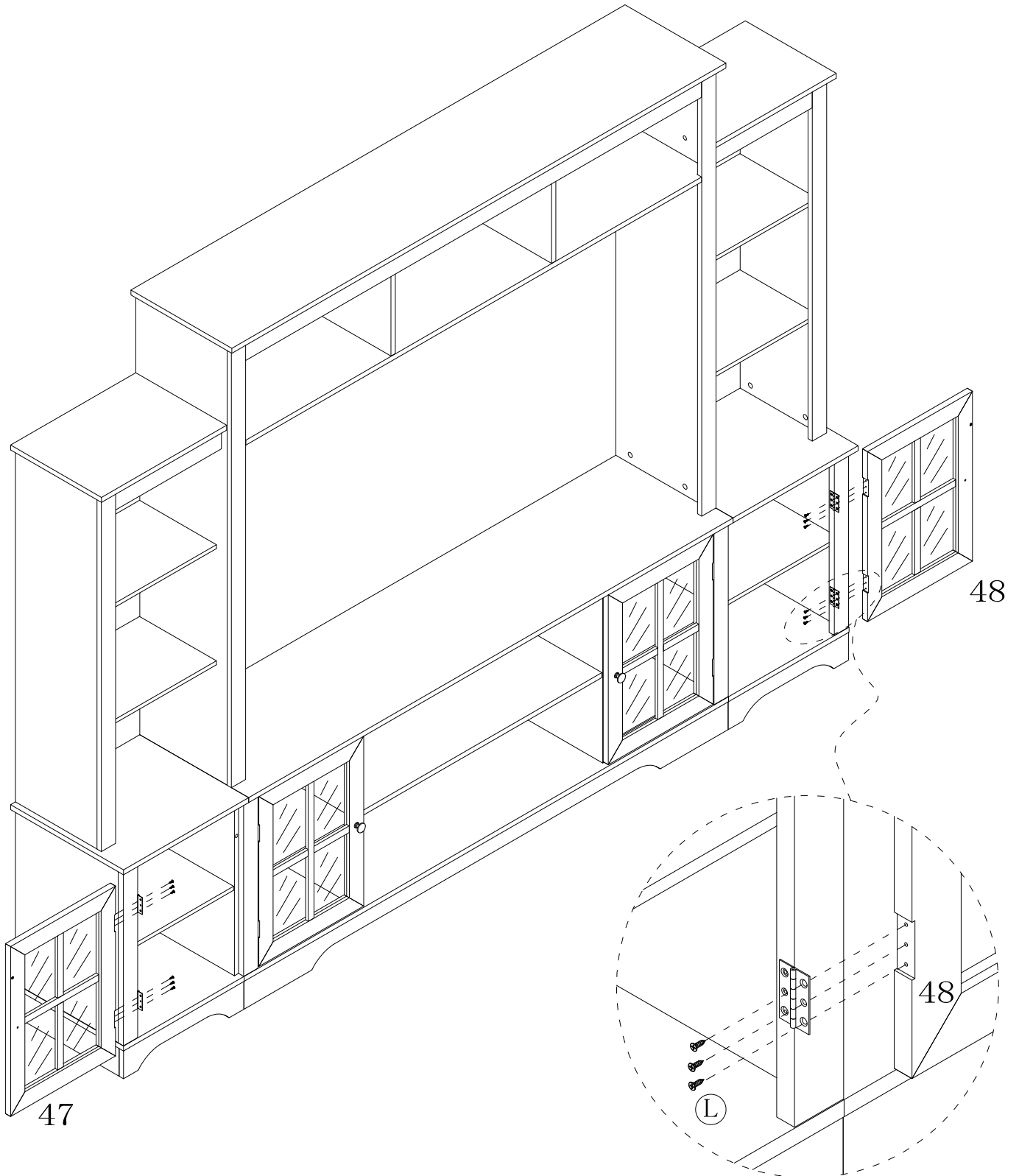
Step 57

(L)

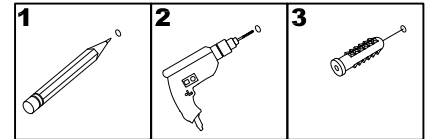


12PCS

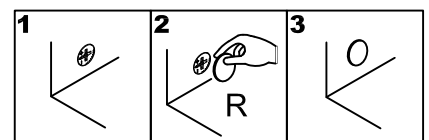
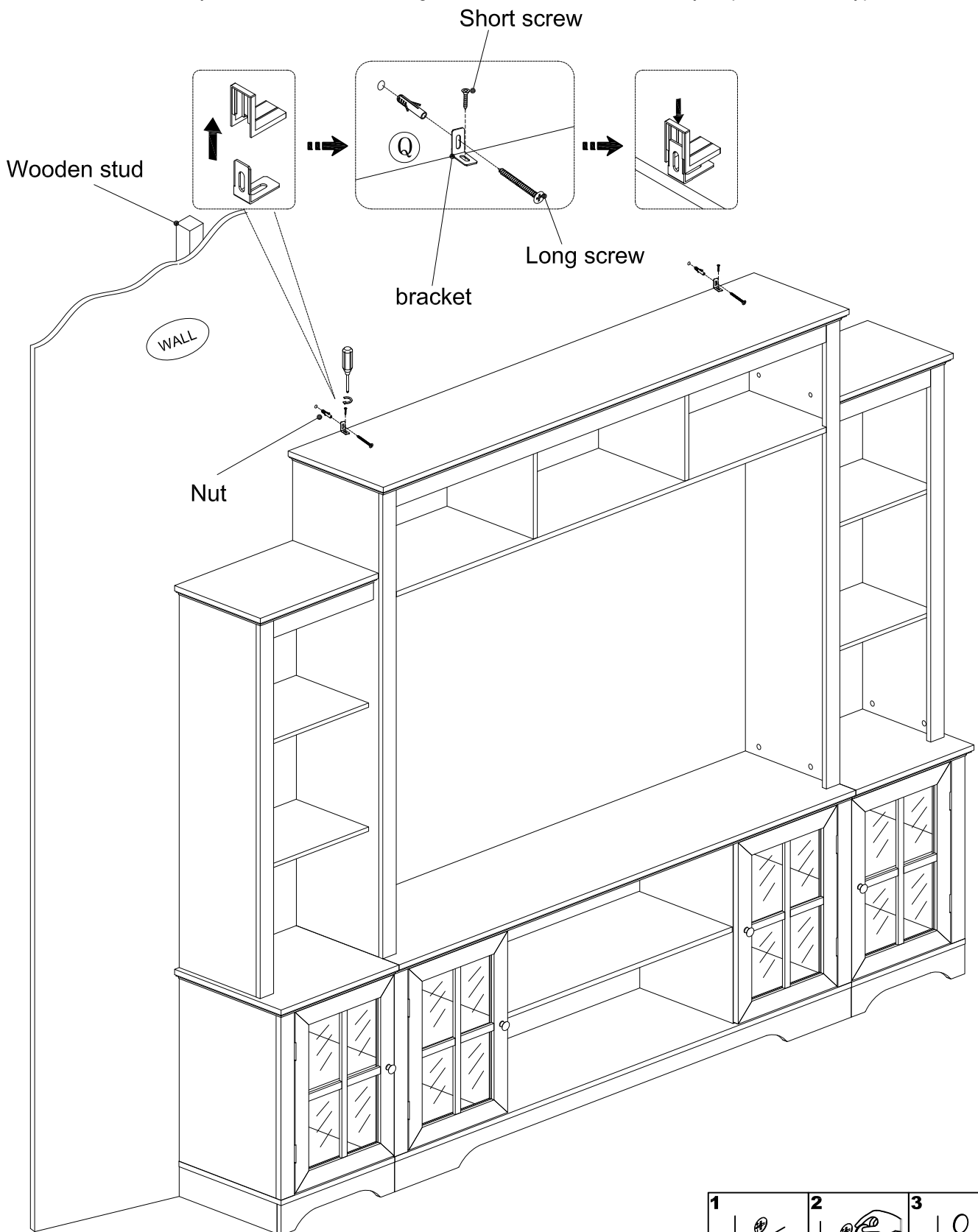
Ø3*15



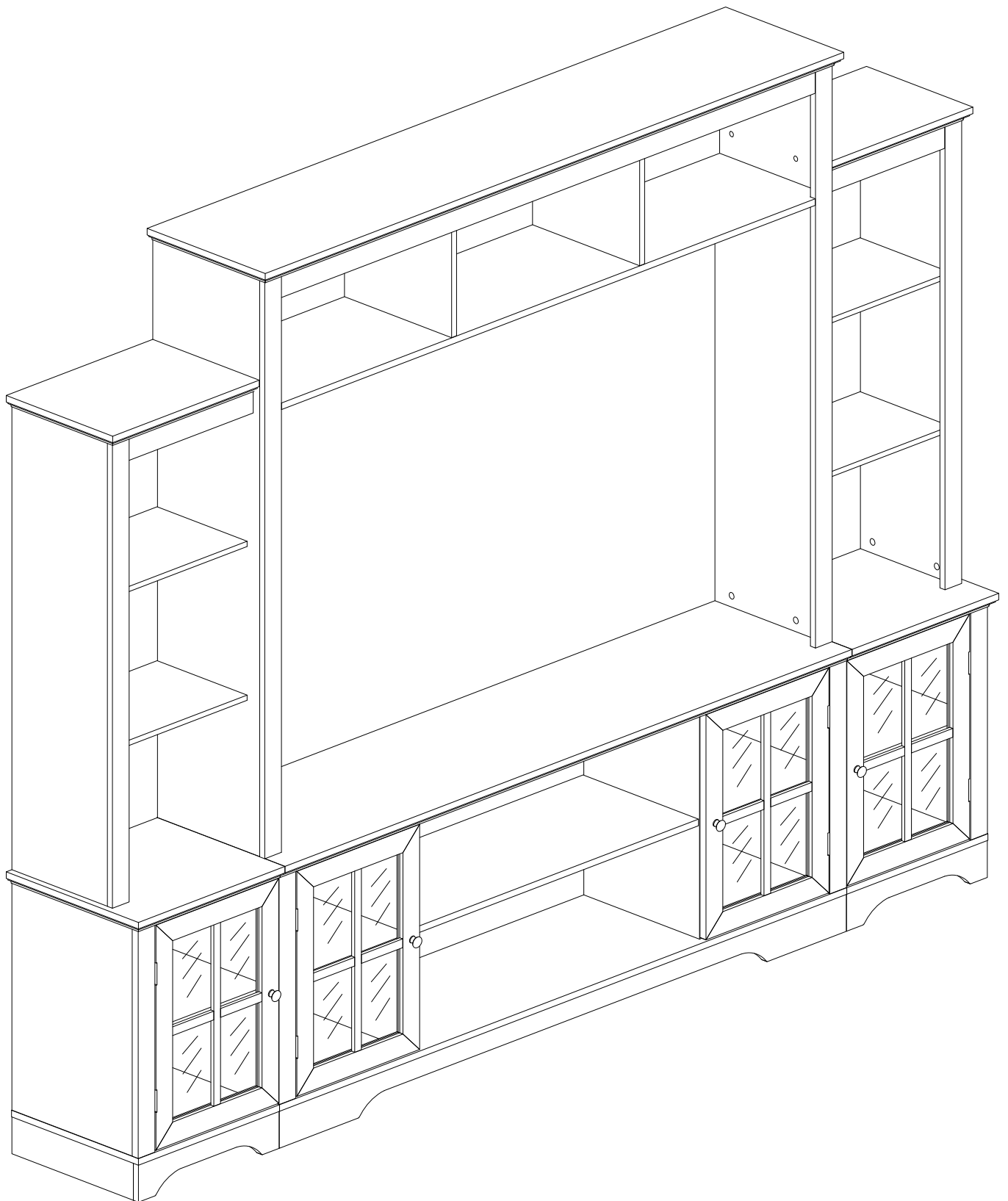
Step 58



Serious or fatal injuries can occur from furniture tipping over. To prevent the furniture from tipping over we recommend that it is permanently fixed to the wall. Wall anchor and hardware are included with this product. Please make sure hardware is suitable for your walls before installing, as different wall materials may require different types of anchors.



Step 59



Final Assembly