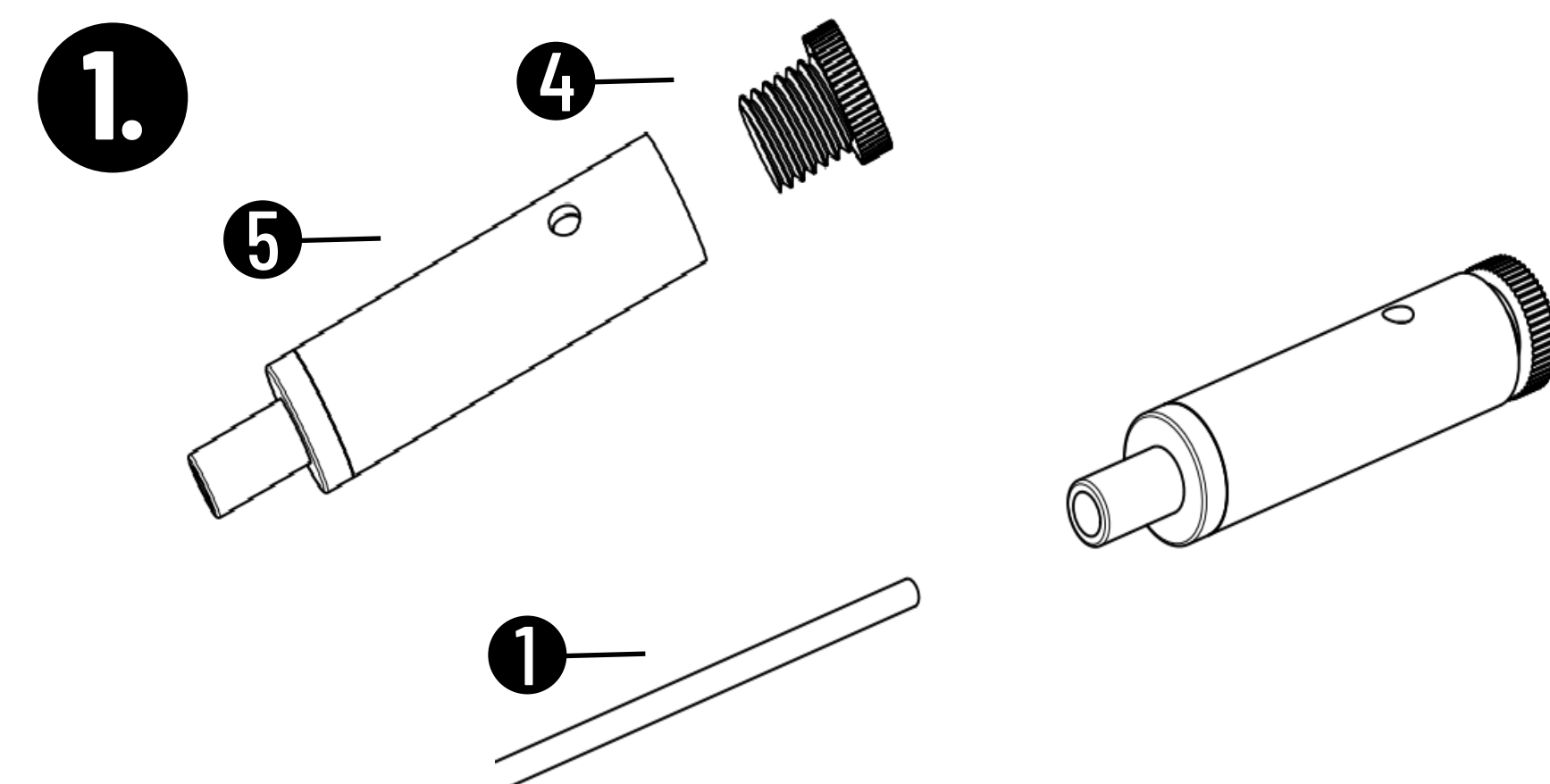
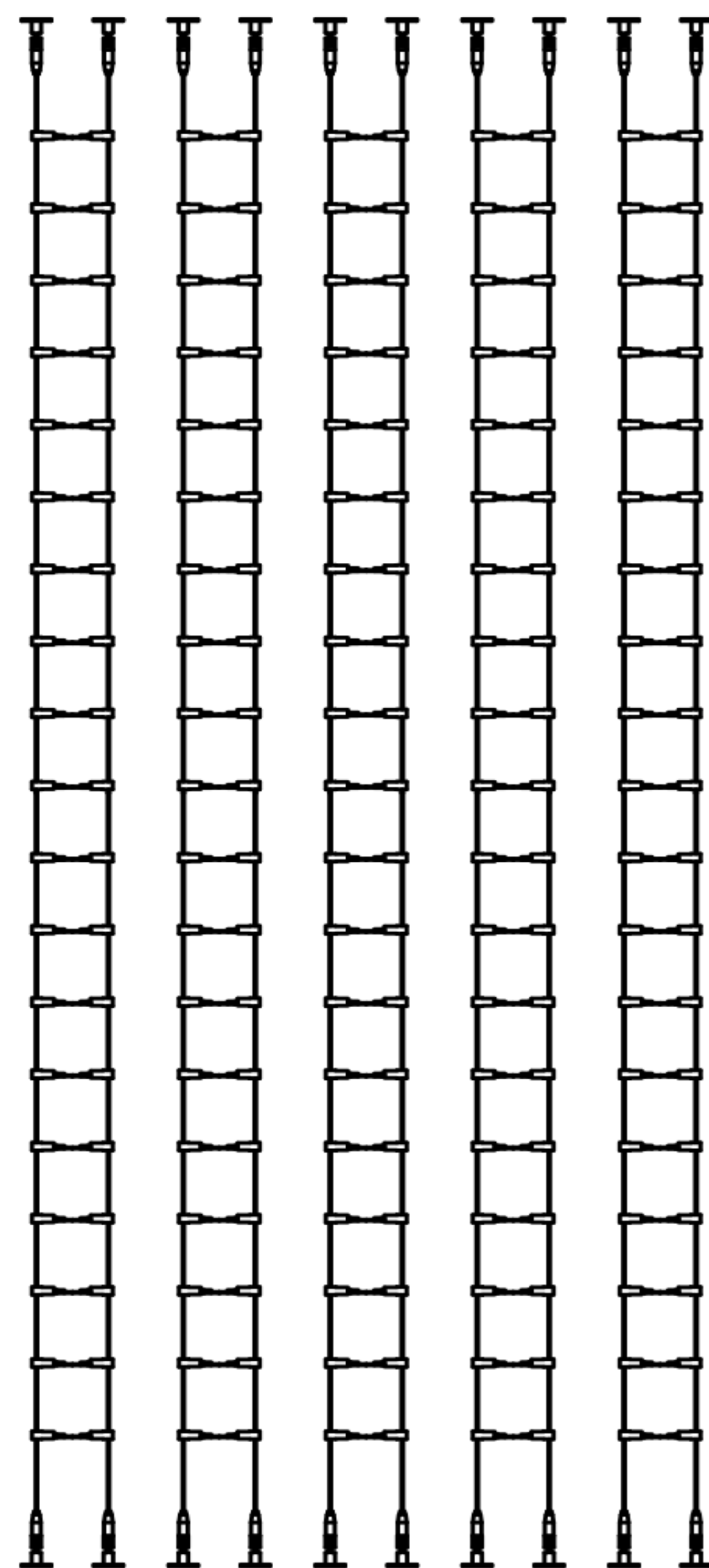


Wire Wine Rack

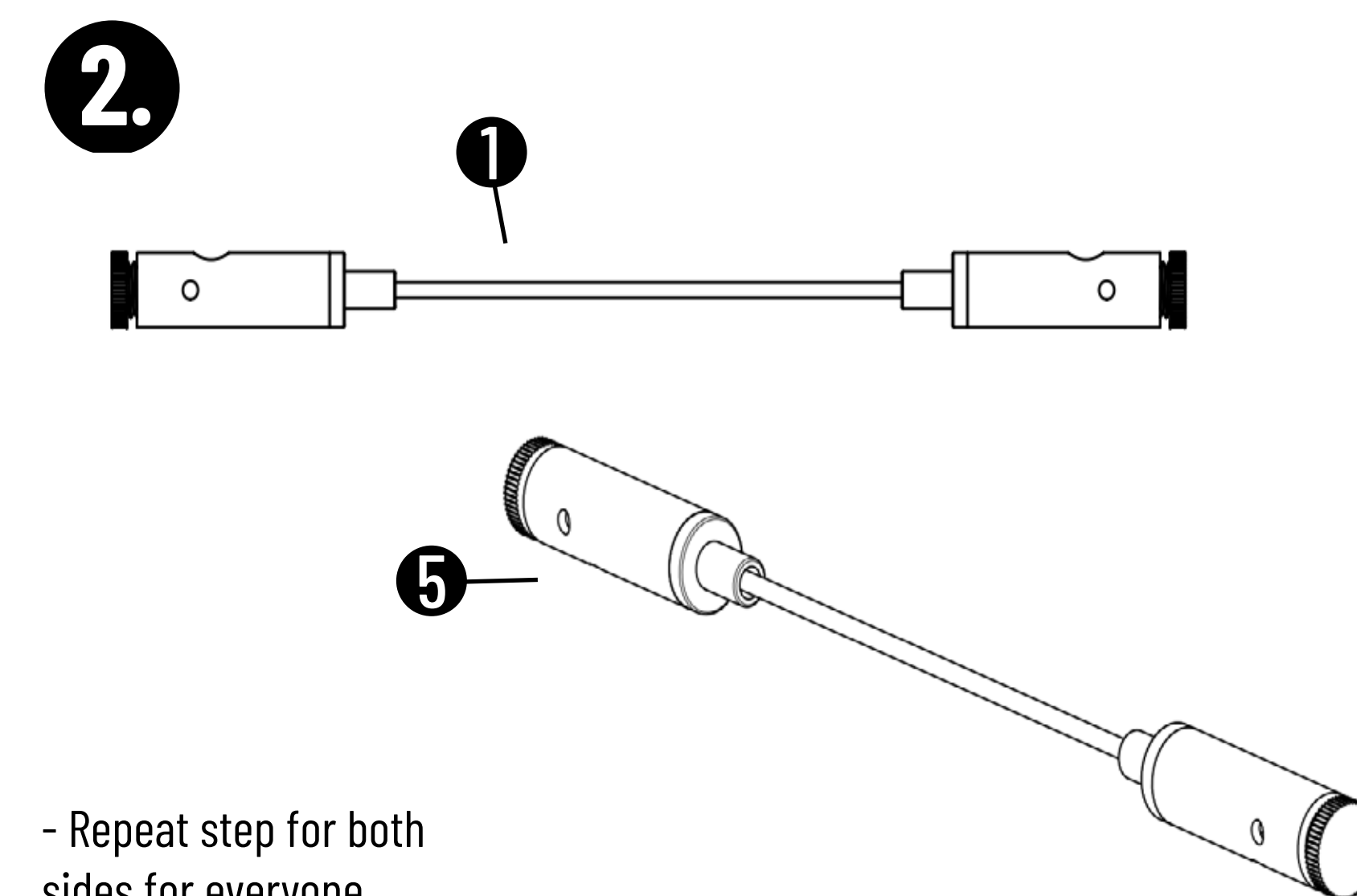
Floor to Ceiling Wine Storage

Stoor, Age and Display your wine in style with this modern and expandable floor to ceiling mountable wine rack. With a total capacity of 20 bottles per unit this all inclusive system contains everything required to start your stylish wine cellar.

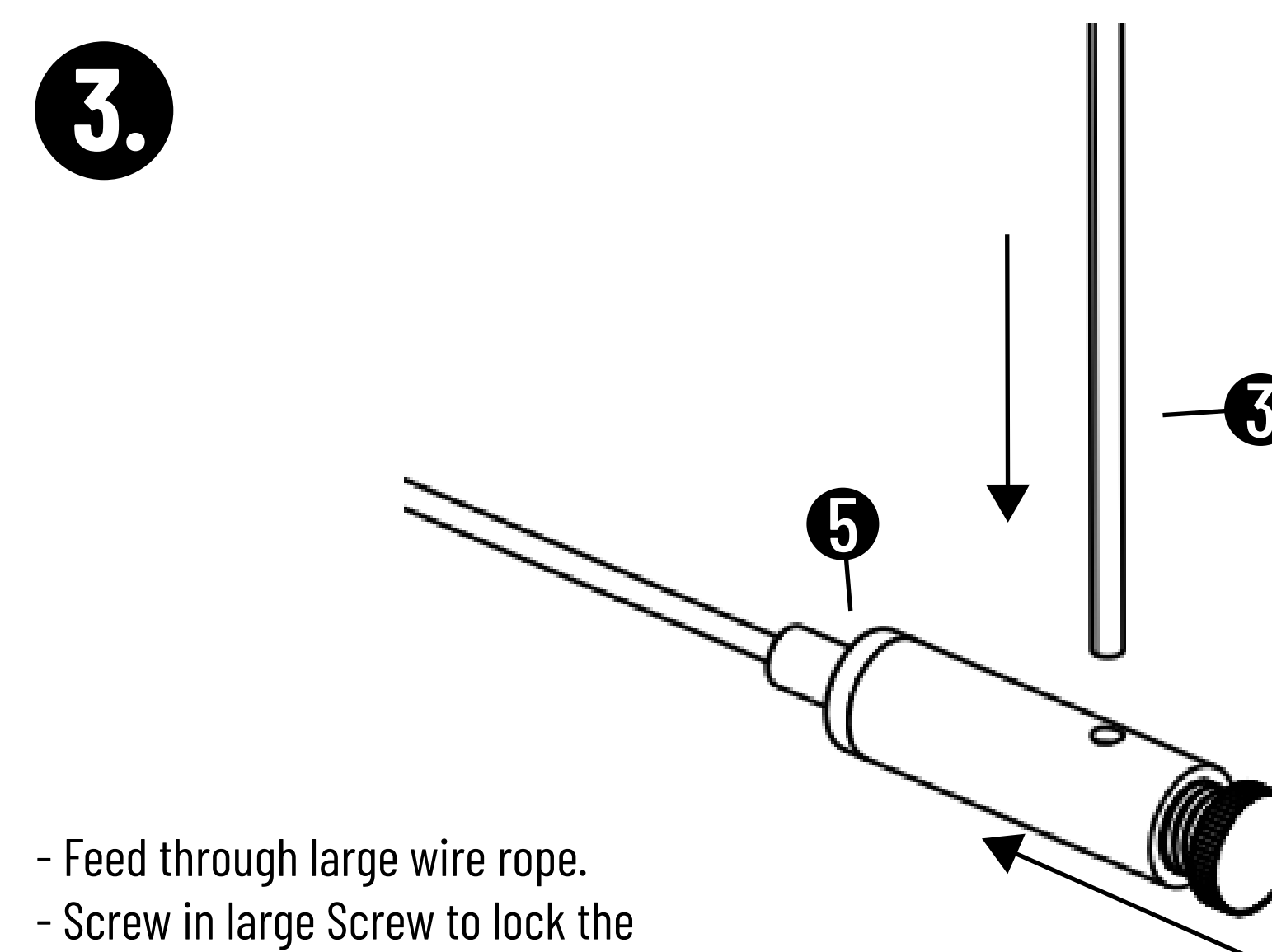
L: 25cm
W: 13.5cm
H: 240cm



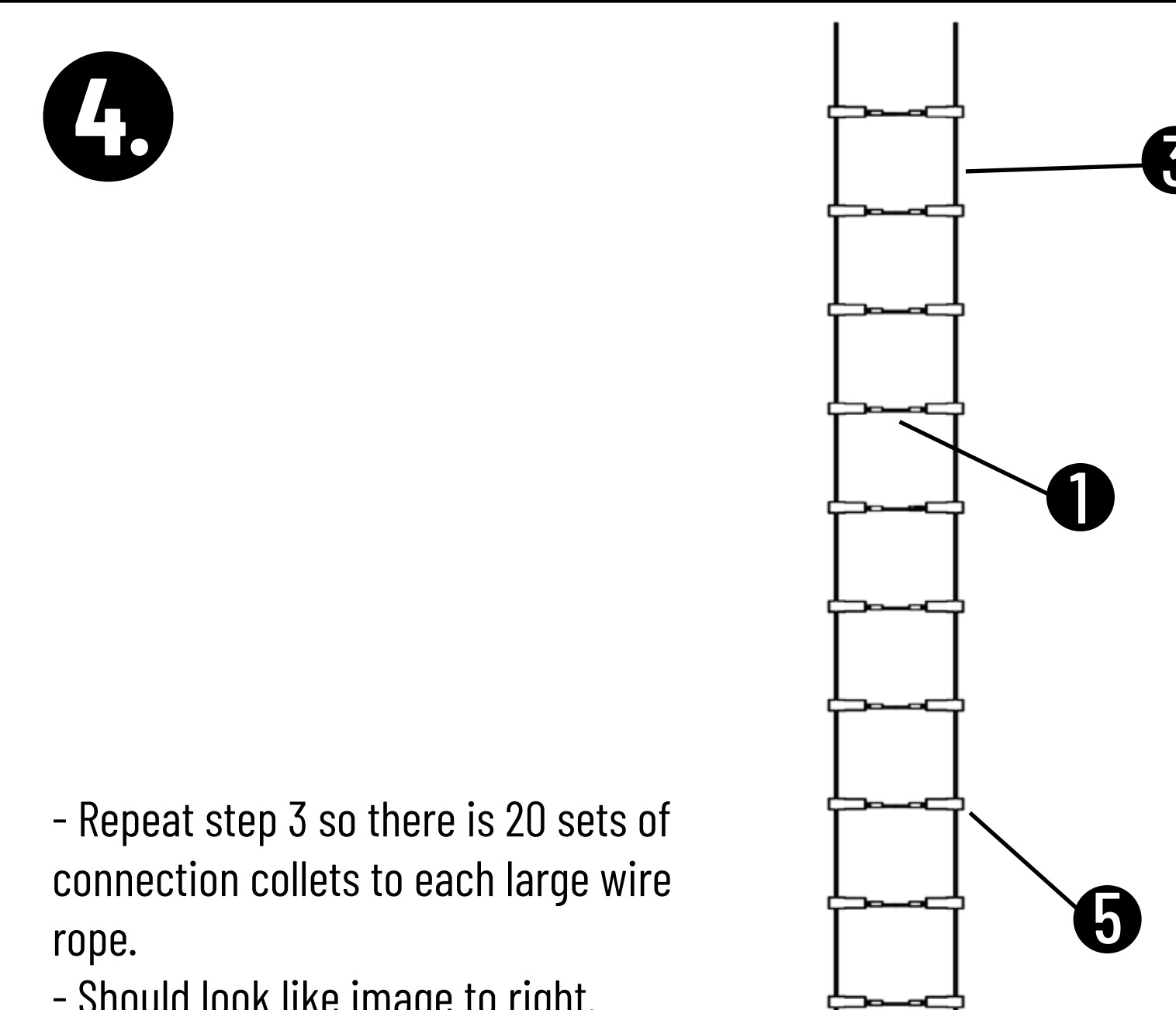
- Make sure screw and Pin are together
- Push in Small wire rope into connector Pin. Then release so it locks in.



- Repeat step for both sides for everyone.

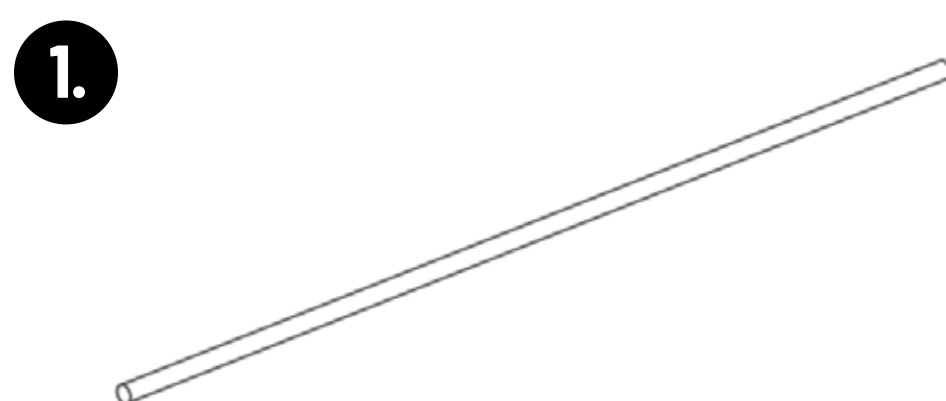


- Feed through large wire rope.
- Screw in large Screw to lock the wire rope to the connection pin.

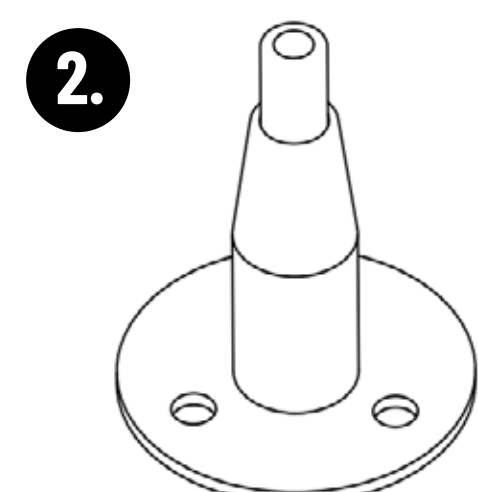


- Repeat step 3 so there is 20 sets of connection collets to each large wire rope.
- Should look like image to right.

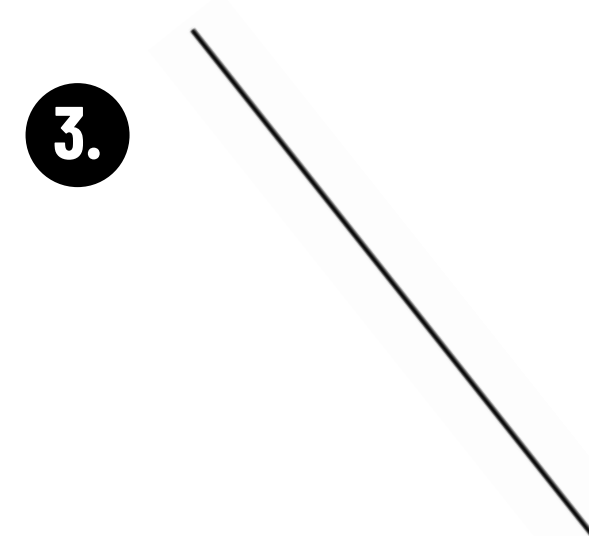
Parts



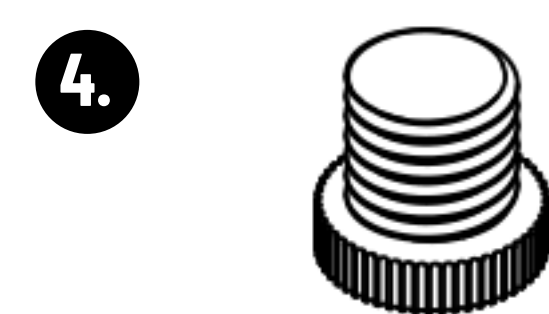
40x Small Wire Rope



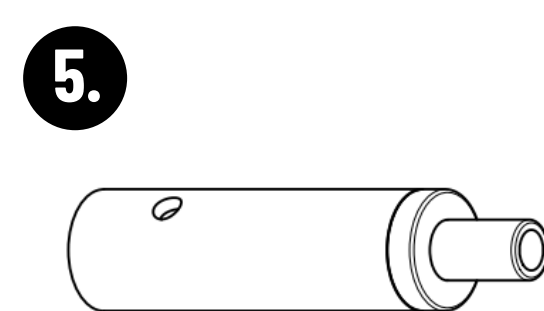
8x Mounting Pins



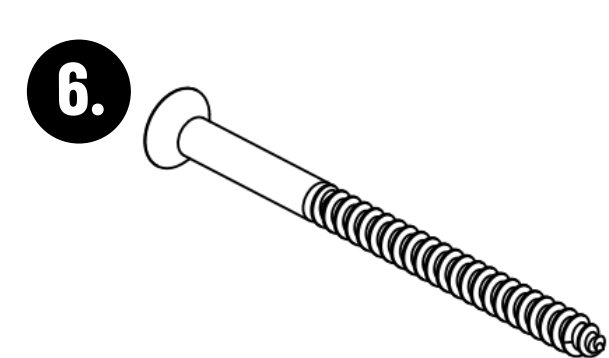
4x Large Wire Rope



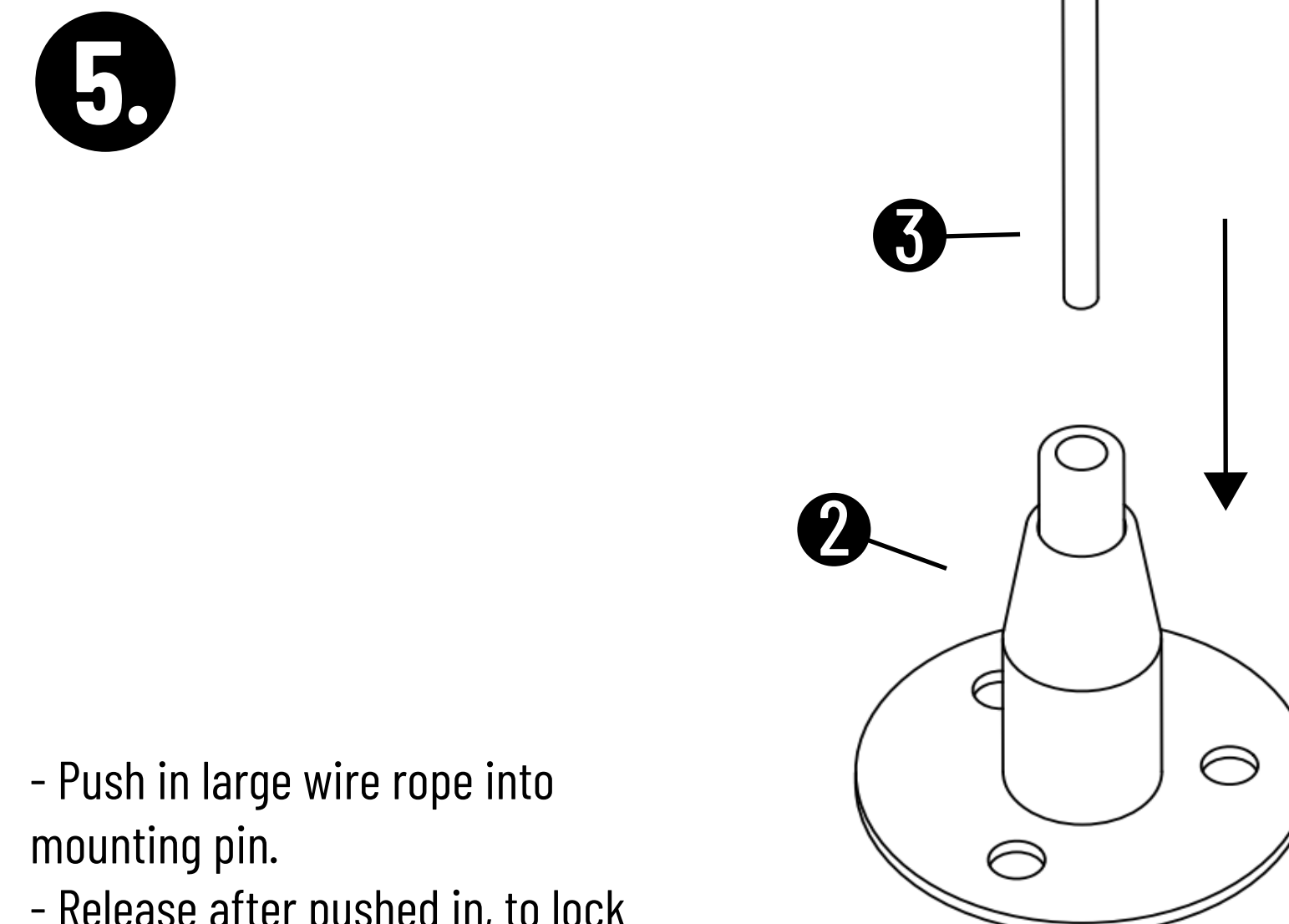
80x Large Hex Screw



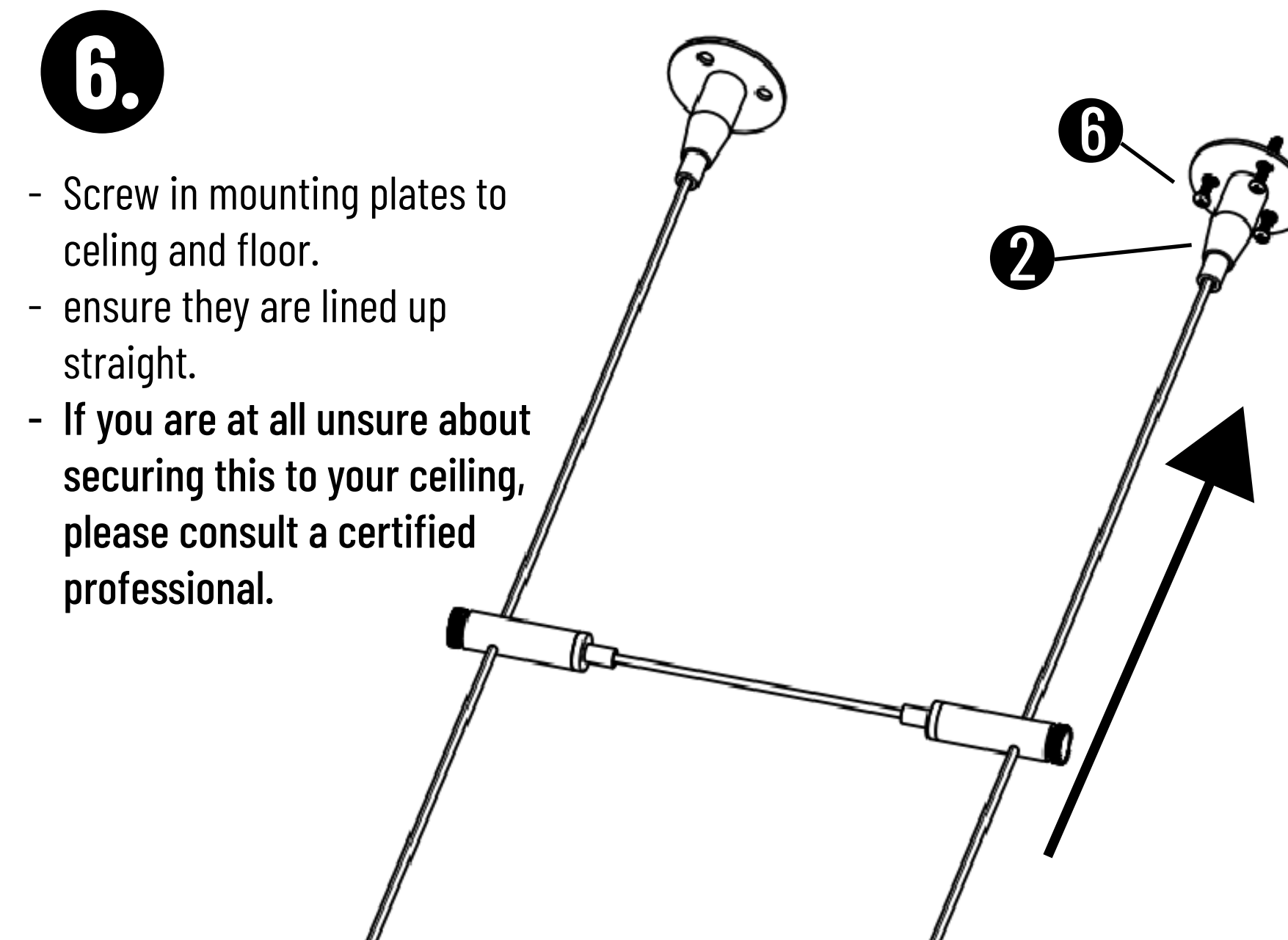
80x Connection Pins



12x Wall Screws



- Push in large wire rope into mounting pin.
- Release after pushed in, to lock large wire rope.



- Screw in mounting plates to ceiling and floor.
- ensure they are lined up straight.
- If you are at all unsure about securing this to your ceiling, please consult a certified professional.

Terms and Conditions:

These Terms and Conditions ("Agreement") constitute a legal agreement between you ("Customer" or "You") and [Wine Stash] ("Company" or "We" or "Us") regarding the purchase, installation, and use of the ceiling-mounted wire wine racks ("Product"). By placing an order or using the Product, you acknowledge that you have read, understood, and agree to be bound by the terms and conditions outlined below:

Product Description:

- 1.1. The ceiling-mounted wire wine racks are designed to securely store wine bottles from the ceiling of a suitable location.
- 1.2. The Product is intended for indoor use only.
- 1.3. The Product is compatible with standard-sized wine bottles unless otherwise specified.

Product Installation:

- 2.1. The installation of the Product should be performed by a professional or experienced individual.
- 2.2. It is your responsibility to ensure that the ceiling structure is suitable for installation and can support the weight of the Product and the wine bottles.
- 2.3. We recommend consulting a professional before installation to ensure safety and proper installation.

Product Care and Maintenance:

- 3.1. Regularly inspect the Product for any signs of damage, wear, or instability.
- 3.2. Clean the Product using a mild detergent and a soft cloth. Avoid abrasive materials that may scratch the surface.
- 3.3. Do not use the Product for purposes other than its intended use.

Limitation of Liability:

- 4.1. We strive to provide high-quality products. However, the installation and use of the Product are done at your own risk.
- 4.2. We are not liable for any damage, injury, or loss arising from the installation, use, or misuse of the Product.
- 4.3. In no event shall we be liable for any indirect, incidental, consequential, or punitive damages.

Intellectual Property:

- 5.1. All intellectual property rights, including trademarks and copyrights, related to the Product and its documentation belong to the Company.
- 5.2. You may not reproduce, modify, distribute, or create derivative works of the Product without our prior written consent.

Product Warranty:

- 6.1. We offer a limited warranty on the Product against defects in materials and workmanship for a period of 12 months from the date of purchase.
- 6.2. This warranty does not cover damage caused by improper installation, misuse, accidents, or unauthorised repairs or modifications.
- 6.3. To claim warranty service, you must provide proof of purchase and contact our customer service within the warranty period.

Returns and Refunds:

- 7.1. If you are unsatisfied with the Product, you may return it within 90 days of purchase for a refund, subject to the following conditions:
 - a) The Product must be in its original condition and packaging.
 - b) You are responsible for return shipping costs.
- 7.2. Refunds will be issued within 30 days after the Product is received and inspected.

Governing Law and Jurisdiction:

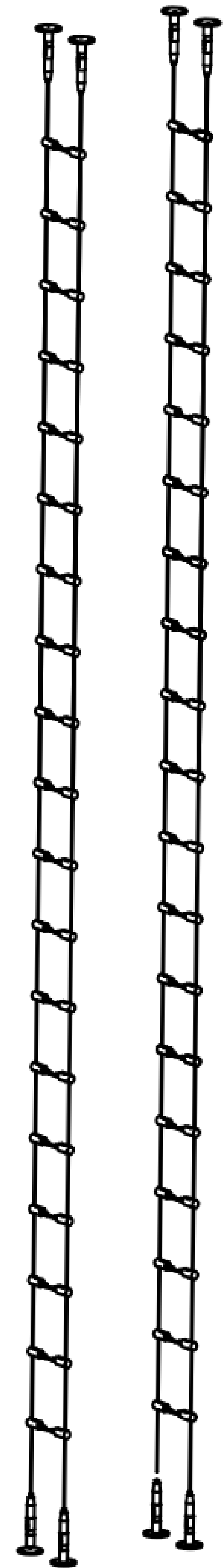
- 8.1. This Agreement shall be governed by and construed in accordance with the laws of Australia.
- 8.2. Any disputes arising from or relating to this Agreement shall be subject to the exclusive jurisdiction of the courts of Australia.

Please carefully review and acknowledge your agreement to these Terms and Conditions before purchasing or using the Product. If you do not agree with any part of this Agreement, please refrain from purchasing or using the Product.

Wire Wine Rack

Floor to Ceiling Wine Storage

Stoor, Age and Display your wine in style with this modern and expandable floor to ceiling mountable wine rack. With a total capacity of 20 bottles per unit this all inclusive system contains everything required to start your stylish wine cellar.



L: 25cm
W: 13.5cm
H: 240cm

