

INSTALLATION MANUAL

CHANDELIER



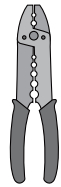
TOOLS REQUIRED



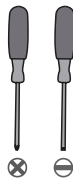
Ladder



Pliers

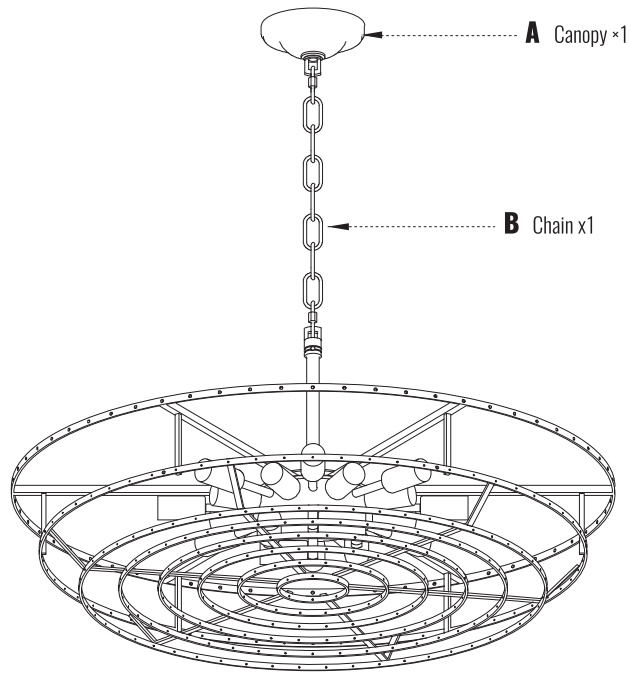


Wire
Strippers


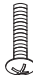



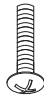
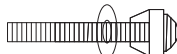

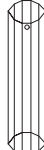





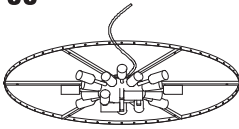
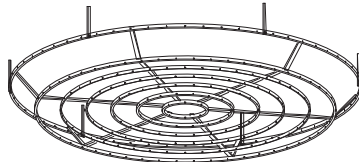



Screwdrivers

PACKING LIST



INSTALLATION KIT

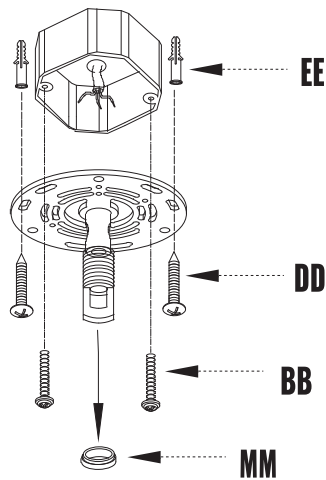
AA 1×  Mounting Bracket	BB 2×  Outlet Box Screw	CC 1×  Ground Screw	DD 2×  Wood Screw	EE 2×  Plastic Anchor
FF 6×  M5 Screw	GG 60×  M4 Screw with Silicon Washer	HH 60×  M4 Hex Nut	II 30×  Smoke Gray Crystal	JJ 30×  Clear Crystal
KK 244×  Small Crystal with Clip	LL 3×  Wire Nut	MM 1×  Loop Ring	NN 1×  Hanging Rod	OO 1×  Top Lamp Frame
PP 1×  Bottom Lamp Frame	QQ 1×  Gloves			

NOTE:

1. AA/CC/MM has already been pre-installed with Canopy (A).
2. II/JJ/KK has one spare.
3. Some extra hardware may be included. The quantity listed above is the number required for installation.

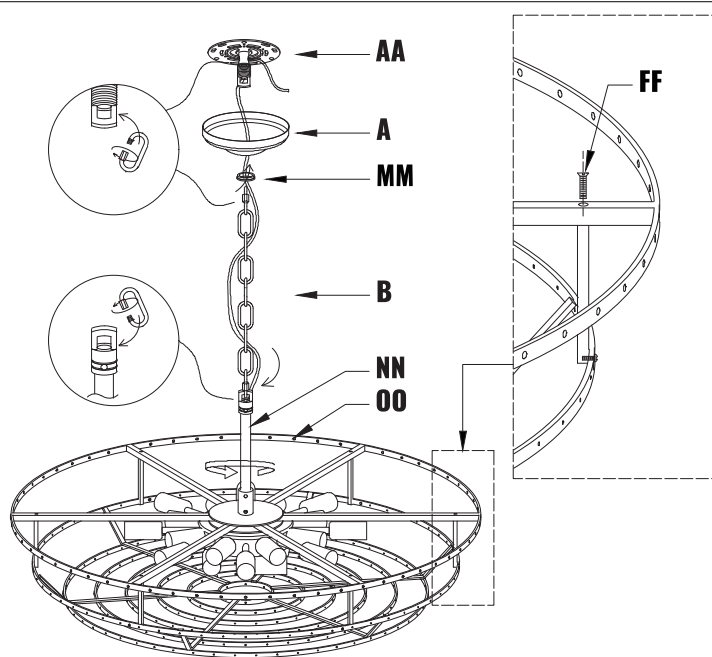
MOUNTING AND WIRE

1. Install the Mounting Bracket



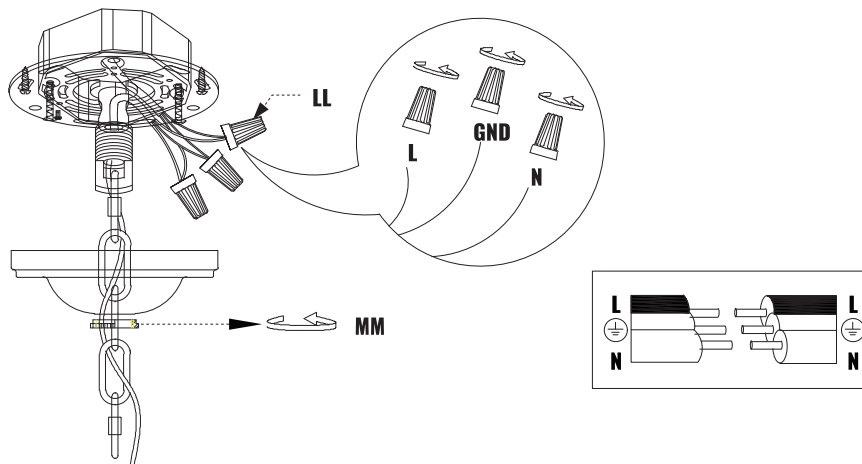
- STEP 1:** Loosen the Loop Ring (MM) from the Canopy (A) and remove the Mounting Bracket (AA).
- STEP 2:** Plan the holes for the Mounting Bracket (AA) first, then place the Plastic Anchor (EE) inside the punched holes.
- STEP 3:** Take off the screws from the outlet box, and secure the Mounting Bracket (AA) onto the box with the screws taken off or Outlet Box Screw (BB).
- STEP 4:** Pass the Wood Screws (DD) through the Mounting Bracket (AA) and then screw them into the Plastic Anchor (EE).

2. Install the Lamp Body



- STEP 1:** Use the Square Rod of the Bottom Lamp Frame (PP) to install on the Top Lamp Frame (OO), and fix it with M5 Screw (FF).
- STEP 2:** Pass the wires through the Hanging Rod (NN), Chain (B), Loop Ring (MM), Canopy (A), and mounting Bracket (AA) in order.
- STEP 3:** Open the Quick Link on Chain (B), then connect the Quick Link on both ends of Chain (B) to the Hanging Rod (NN) and Mounting Bracket (AA), and finally lock the Quick Link tightly.

3.Connect the Wires



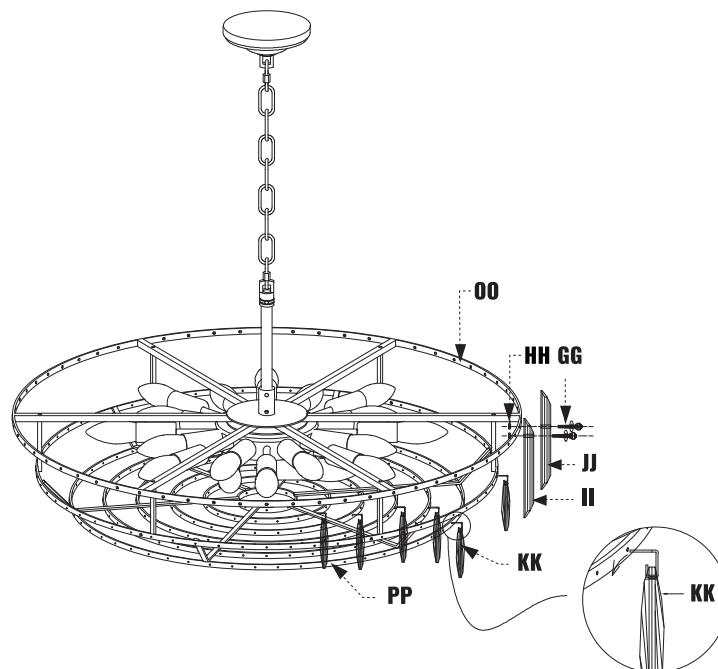
STEP 1: Wrap the ground wire from the outlet box around the Ground Screw (CC) on the Mounting Bracket (AA), and then connect the ground wire from the fixture to the ground wire from the outlet box.

STEP 2: Connect the wires from the fixture to the house supply wires, neutral (white) to neutral wire, and hot (black) to hot wire.

STEP 3: Spread apart the wires so that the hot wires are on one side of the outlet box and the neutral wires are on the other.

STEP 4: Lock the Loop Ring (MM) onto the Mounting Bracket (AA), then attach the Canopy (A) to the ceiling.

INSTALL CRYSTAL AND BULBS



STEP 1: Install the E12 bulbs. (not included)

NOTE:

This lamp uses E12 bulb base and can only be used in conjunction with LED bulbs up to 40W.
Fully dimmable when used with dimmable bulbs and compatible dimming switches (not included).

STEP 2: Use M4 Screw with Silicon Washer (GG) to insert the Smoke Gray Crystal (II)/ Clear Crystal (JJ) into the holes of the Top Lamp Frame (OO) and fix it with M4 Hex Nut (HH).

NOTE:

Hang the Clear Crystal (JJ)/ Smoke Gray Crystal (II) on the Top Lamp Frame (OO) alternately

STEP 3: Fix the Small Crystal (KK) into the holes of the Bottom Lamp Frame (PP) as shown.