



IN240500276V01_US

820-422V83_820-422V82_820-422V81

820-422V80



ELECTRIC HEATER INSTRUCTION MANUAL

Models: W914-36F, W914-40F, W914-50F and W914-60F

ATTENTION:

1. Keep this electric heater away from direct sunlight.
2. Before plugging in the electric heater, read all instructions.

IMPORTANT, RETAIN FOR FUTURE REFERENCE: READ CAREFULLY

IMPORTANT SAFETY INSTRUCTIONS

Keep this manual for future reference.

WHEN USING ELECTRICAL APPLIANCES, BASIC PRECAUTIONS SHOULD ALWAYS BE FOLLOWED TO REDUCE THE RISK OF FIRE, ELECTRIC SHOCK AND INJURY TO PERSONS, INCLUDING THE FOLLOWING:

Read all instructions before using this heater. Failure to follow these important safety instructions may cause fire, electric shock or damage. Following proper safety and operating instructions is the responsibility of the owner.

- 1) If needed, ensure proper grounding – this heater is designed for use with 120 volts. Do not modify the plug or use adapters that would disable the grounding feature.
- 2) Caution: This heater becomes hot during use. To prevent burns, avoid direct skin contact with hot surfaces. The grill in front of the heater outlet also becomes hot while in use.
- 3) Do not block the front of the fireplace while in use.
- 4) CAUTION: Take extreme caution when using this heater near small children or persons with disabilities. Never leave this heater operating unattended.
- 5) Never use a heater with a damaged cord or plug, or if the heater malfunctions or has been dropped or damaged in any way. Instead, take the heater to an authorised service facility for examination, adjustment or repair.
- 6) Never modify this heater in any way. If parts need removing or servicing, they must be replaced at a qualified repair center before operating the heater again.
- 7) Do not use this heater outdoors or in wet areas. Keep this heater away from bathrooms, laundry areas or similar indoor locations. Ensure the appliance is not positioned where it could fall into a bathtub or any other water container.
- 8) Avoid running the cord under carpets or covering it with throw rugs, runners or anything similar. Keep the cord away from congested areas to prevent it from being tripped over.
- 9) Only connect this heater to properly grounded outlets.
- 10) Never insert foreign objects into ventilation or exhaust openings, as this could cause an electric shock, fire or damage to the heater.
- 11) To minimize the risk of fire, do not block air intakes or exhausts. Do not use this appliance on beds or other soft surfaces where openings may get blocked.
- 12) CAUTION: This heater contains hot and arcing or sparking parts. Do not use it in areas where gasoline, propane, paint or flammable liquids are present or stored. Avoid exposing the heater to flammable vapours. Never use this heater for drying clothes and do not hang decorations on it.
- 13) Do not modify this heater. Only use this heater in accordance with the instructions provided in this manual. Any other usage not recommended by the manufacturer may result in fire, electric shock or personal injury.
- 14) Avoid using extension cords with this heater, as it could overheat. However, if you must use an extension cord, make sure it is a minimum size of No.16AWG and rated at least 1875 watts. The extension cord must be a three-wire cord with a grounding-type plug and cord connector.
- 15) Do not connect this product to a receptacle that is controlled by a wall switch or dimmer.
- 16) If new circuits or outlets are needed, always contact a qualified electrician for installation.
- 17) Before cleaning, maintenance or moving the heater, turn off and unplug the appliance.
- 18) When not in use for long periods, store the appliance in a dry location.
- 19) If you experience headaches, nausea, vomiting, tiredness, dizziness, fainting or a rapid pulse, turn off the heater and seek medical attention.

20) To avoid extreme room temperatures, do not leave the product running unattended, especially around small children or individuals with reduced physical, sensory or mental capabilities.

CAUTION: Procedures and techniques, if not carefully followed, can result in damage to the equipment, property or personal injury.

WARNING: Procedures and techniques, if not carefully followed, can expose the user to the risk of serious injury, illness or death.

WARNING:






The heater and its components become hot during operation. Ensure the area directly around and underneath the heater is clear of any obstructions.

DO NOT ALLOW CHILDREN TO OPERATE THIS HEATER: Keep children and pets away from the heater and its controls.

ELECTRICAL PARAMETER

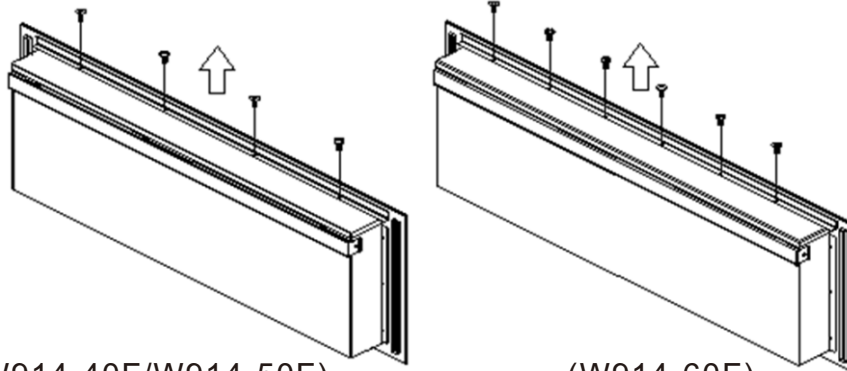
- Power supply: 120V AC
- Frequency: 60Hz
- Power: 1500W

PARTS LIST

REF NO	DESCRIPTION	QTY
A Screw		8
B Anchor Screw		8
C Mounting Bracket		1
D Washer		4
E Mounting Screw		2
F Log		W914-36F: 4 W914-40F: 4 W914-50F: 8 W914-60F: 12
G Crystal		W914-36F: 500g W914-40F: 500g W914-50F: 500g W914-60F: 700g

INSTALLATION

Caution: Before installation, remove the fixing screws on the top plate.



(W914-36F/W914-40F/W914-50F)

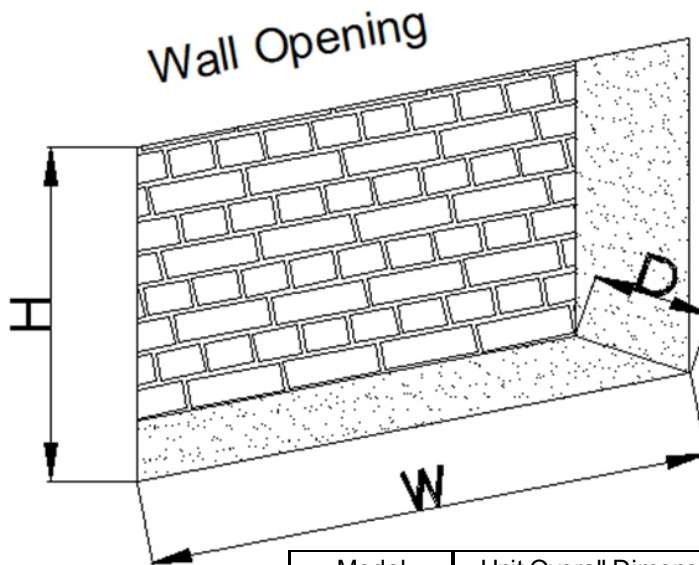
(W914-60F)

NOTE: This heater offers two installation options, which can be selected based on your preference.

Installation 1: Built-in wall

Clearance: Maintain a minimum spacing of 0.5 inches between the rear of the unit and the wall.

Wall opening dimensions: Before installation, confirm the wall opening dimensions.



Model	Unit Overall Dimensions	Cutout Dimensions(W*D*H)
W914-18F	18" x 6.2" x 24"	15.75"x 6.313"x 23.625"
	45.7 x 15.75 x 61 cm	40 x 16 x 60 cm
W914-26F	26" x 6.2" x 17.7"	22.75"x 6.313"x 17.125"
	66 x 15.75 x 45 cm	58 x 40 x 43.5 cm
W914-30F	30" x 6.2" x 17.7"	26.75"x 6.313"x 17.125"
	76 x 15.75 x 45 cm	68 x 40 x 43.5 cm
W914-36F	36" x 6.2" x 17.7"	32.75"x 6.313"x 17.125"
	91.5 x 15.75 x 45 cm	83.5 x 40 x 43.5 cm
W914-40F	40" x 6.2" x 17.7"	36.75"x 6.313"x 17.125"
	101.6 x 15.75 x 45 cm	93.5 x 40 x 43.5 cm
W914-48F	48" x 6.2" x 17.7"	44.75"x 6.313"x 17.125"
	122 x 15.75 x 45 cm	113.6 x 40 x 43.5 cm
W914-50F	50" x 6.2" x 17.7"	46.75"x 6.313"x 17.125"
	127 x 15.75 x 45 cm	119 x 40 x 43.5 cm
W914-60F	60" x 6.2" x 17.7"	56.75"x 6.313"x 17.125"
	152.4 x 15.75 x 45 cm	144 x 40 x 43.5 cm

Step 1: (1) Locate and remove the two mounting screws. (2) Pull the front cover upwards to remove it (see figures below).

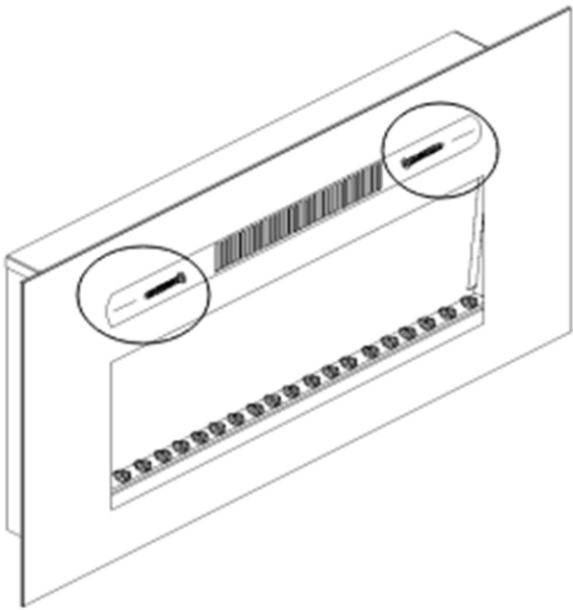


Fig. A (1)

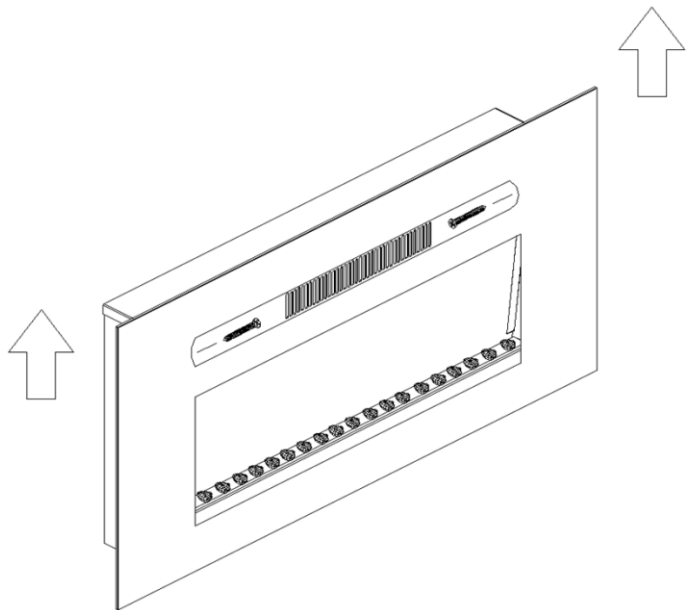


Fig. A (2)

Step 2: Using four screws, secure the unit to the wall (see figure below).

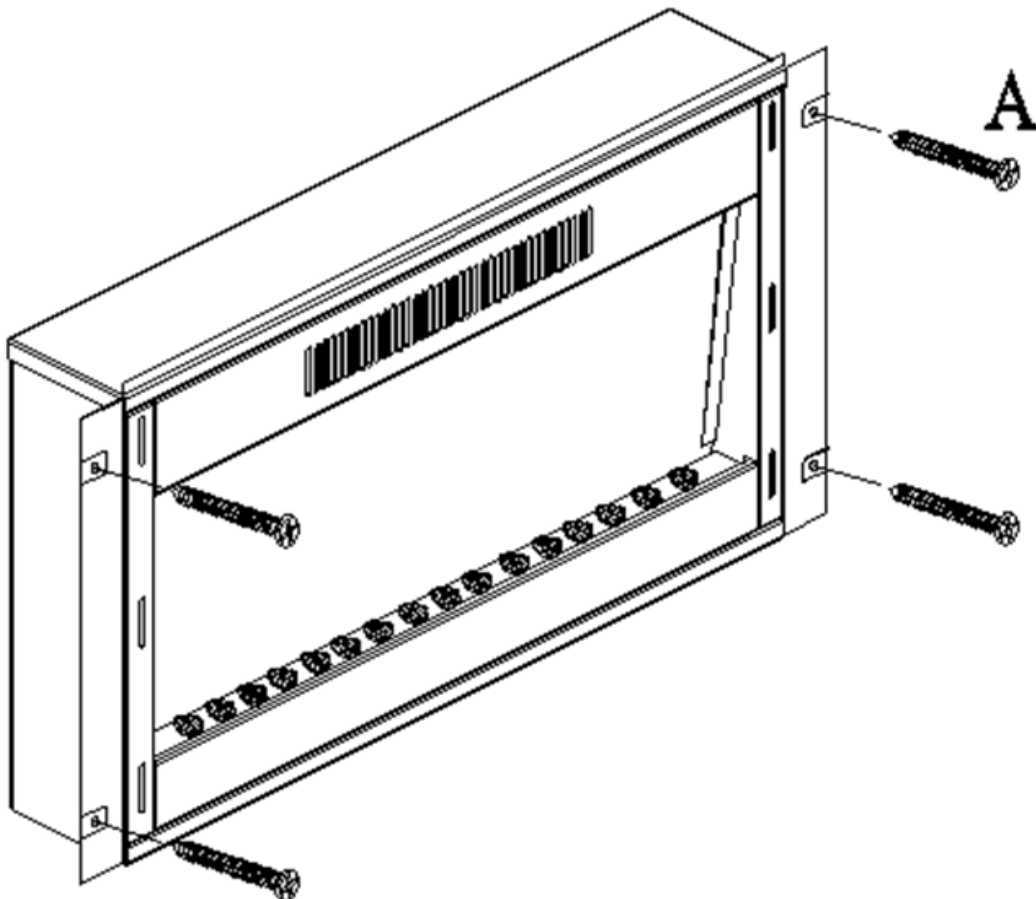


Fig. B

Step 3: Replace the front cover and secure it with two mounting screws (see figure below).

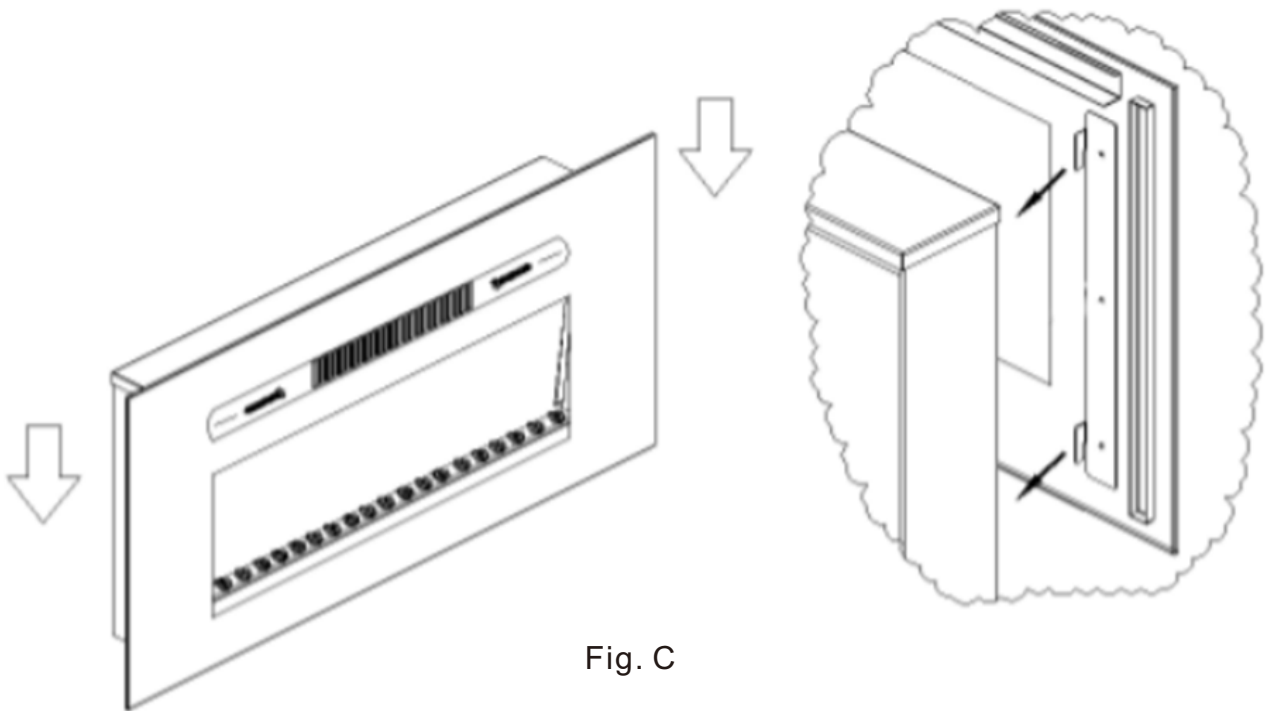


Fig. C

Installation 2: Wall hanging

Step 1: Choose the wall location for hanging your electric heater. Use a level to draw a horizontal line and mark four drill holes for the anchor screws.

Note: The drill holes are for mounting the heater – the heater needs to be level during installation, ensuring proper mounting and alignment.

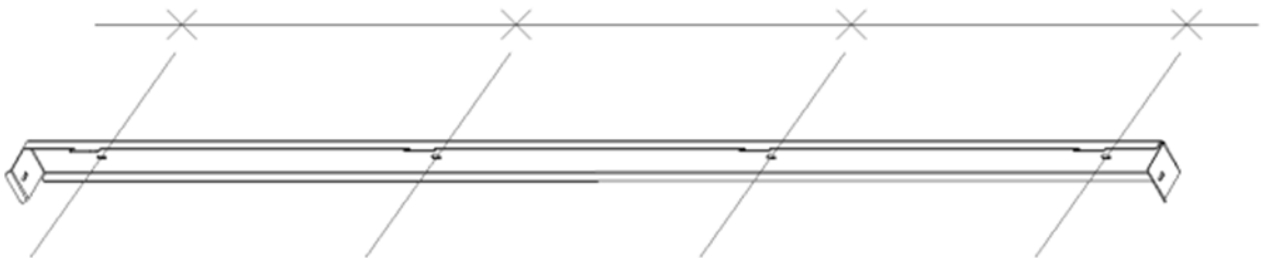


Fig.A

Step 2: Drill four 8mm (5/16 inch) diameter holes, each 43mm (1.7 inches) deep at the marked locations. If any hole does not hit a stud, use the included wall anchor. Insert and firmly tap the wall anchors into place until flush with the wall surface (see figure below).

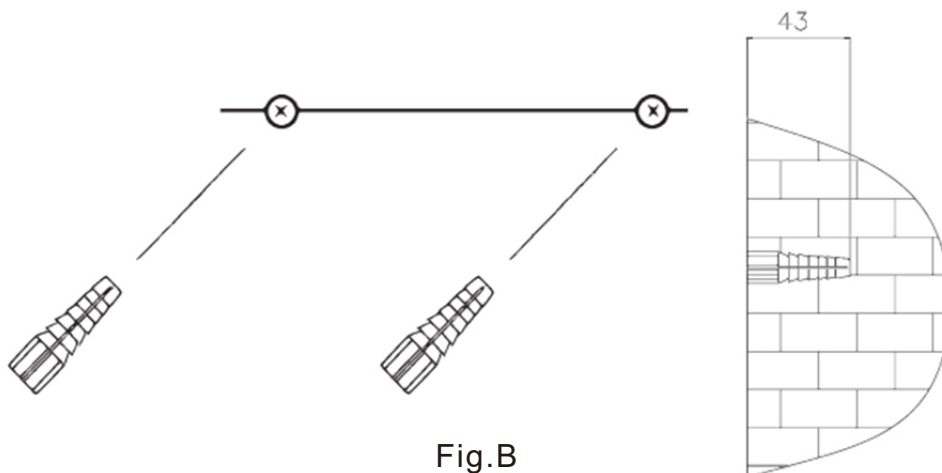
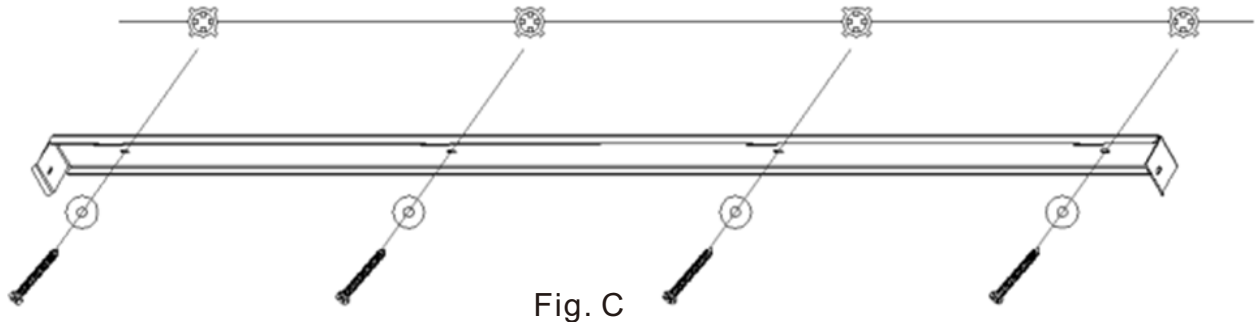
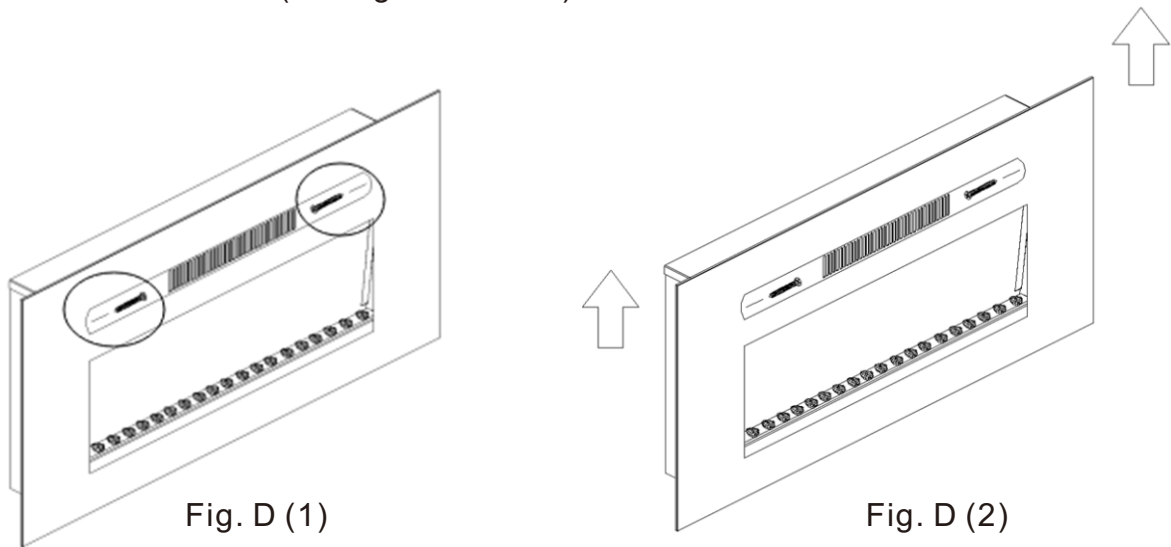


Fig.B

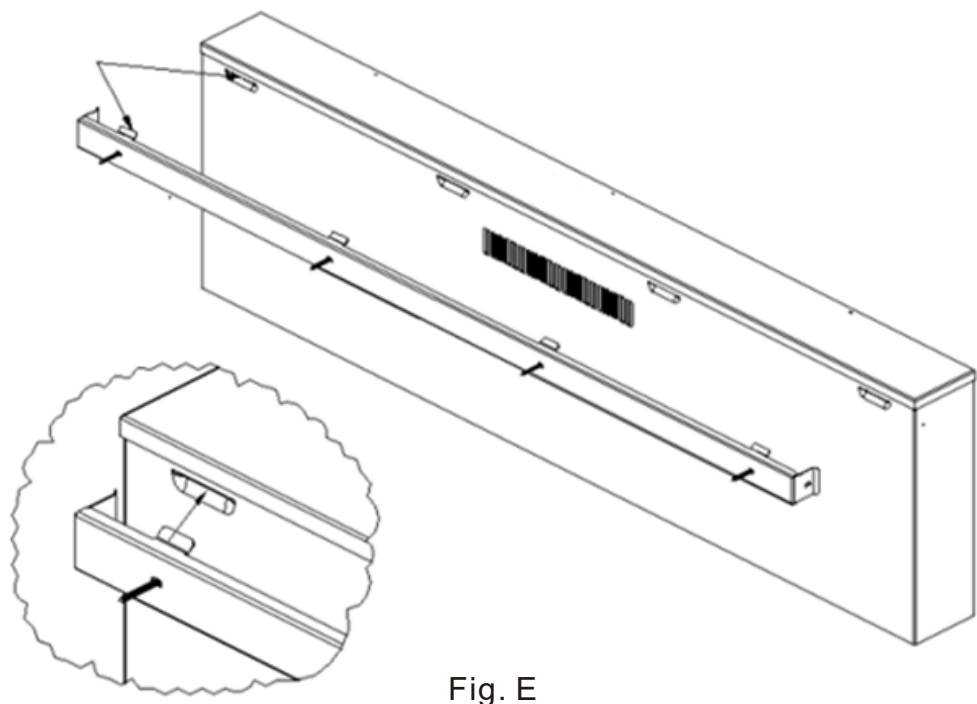
Step 3: Using four anchor screws and four washers, attach the mounting bracket to the wall (see figure below).



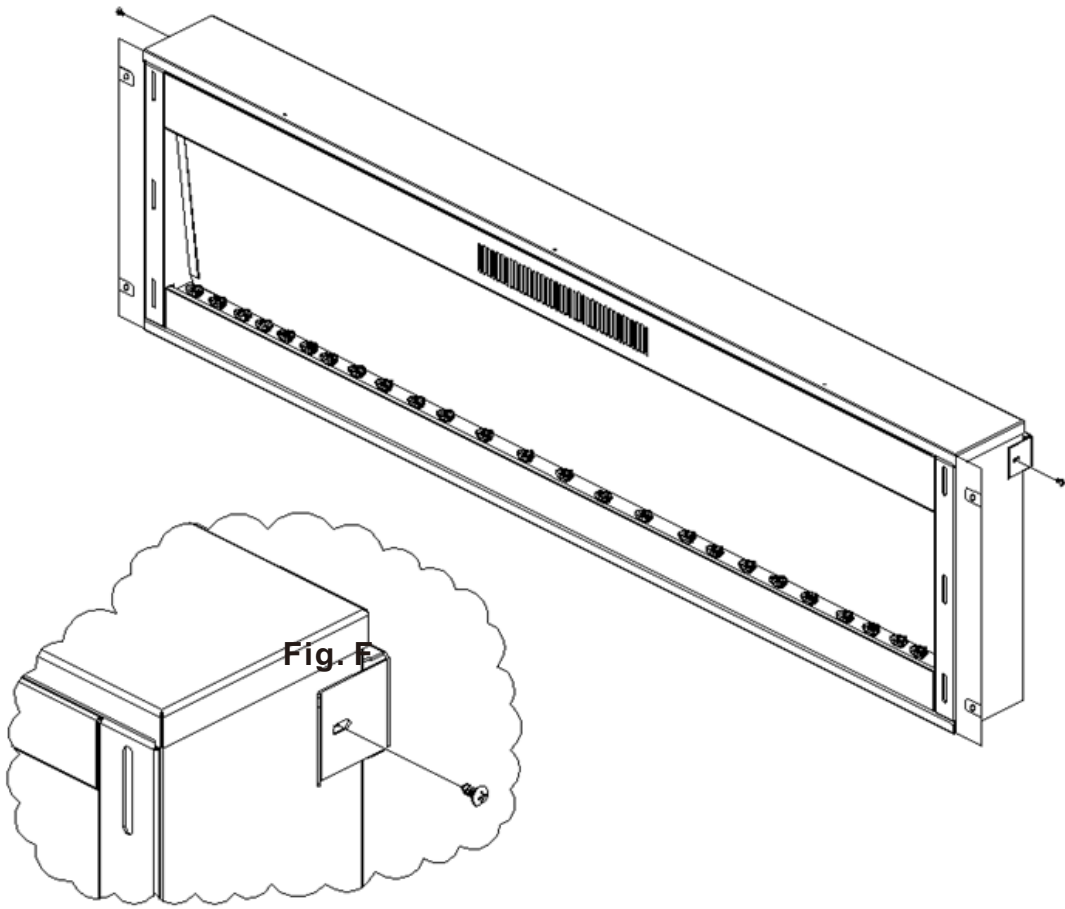
Step 4: (1) Locate and remove the two mounting screws. (2) Pull the front cover upwards to remove it (see figures below).



Step 5: Mount the heater on the wall using the keyhole slots on the metal bracket, which is on the back of the heater (see figure below). Ensure the mounting bracket is securely engaged with the metal bracket at the back of the heater.



Step 6: Using two mounting screws, secure the mounting bracket to the heater (see figure below).



Step 7: Attach the front cover and secure it with two mounting screws (see figure below).

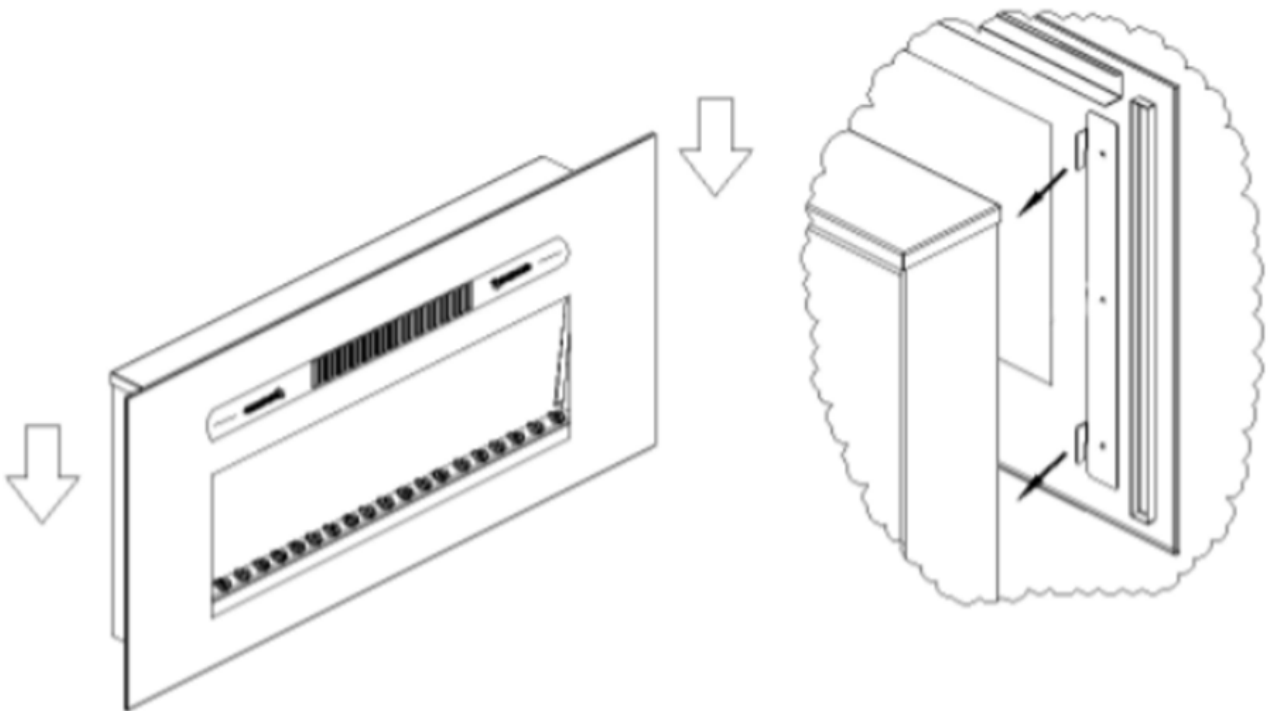


Fig. G

REPLACING DECORATIVE ROCK

Step 1: (1) Locate and remove the two mounting screws. (2) Pull the front cover upwards and remove it (see figure below).

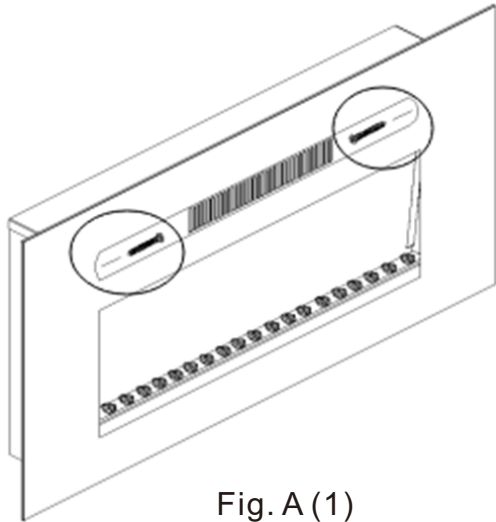


Fig. A (1)

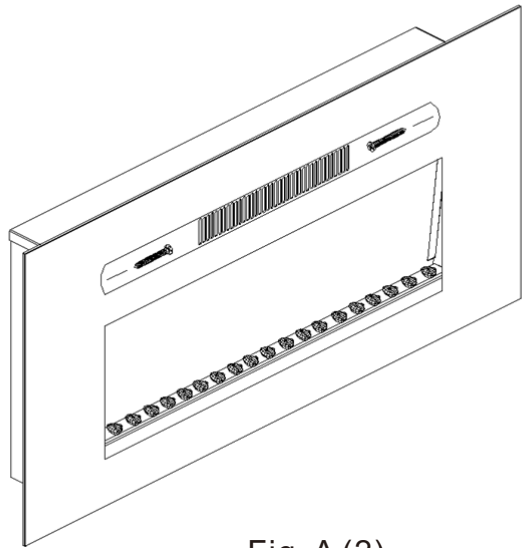


Fig. A (2)

Step 2: Place the rock or branch into the heater (see figure below).

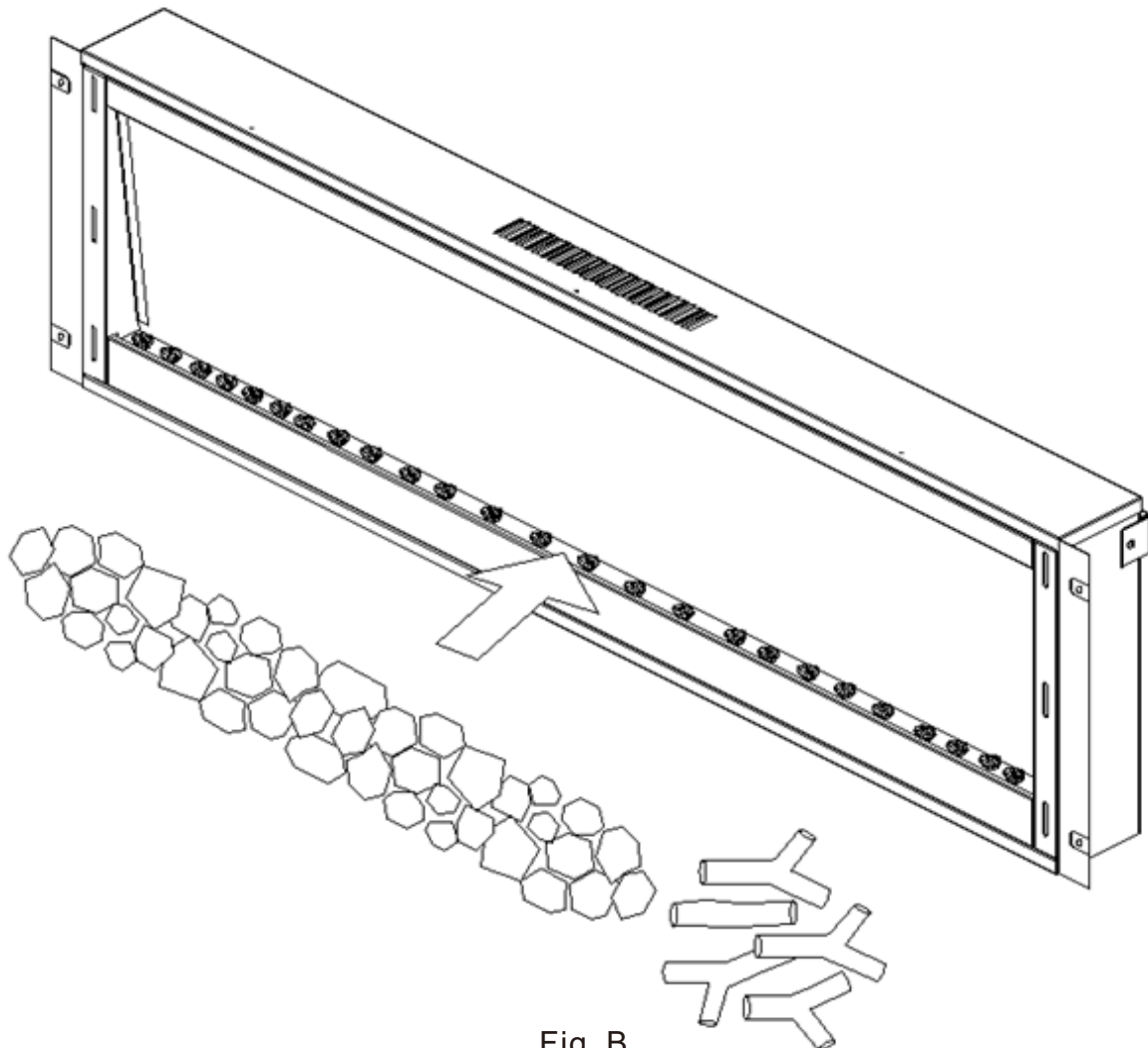


Fig. B

Step 3: Attach the front cover and secure it with two mounting screws (see figure below).

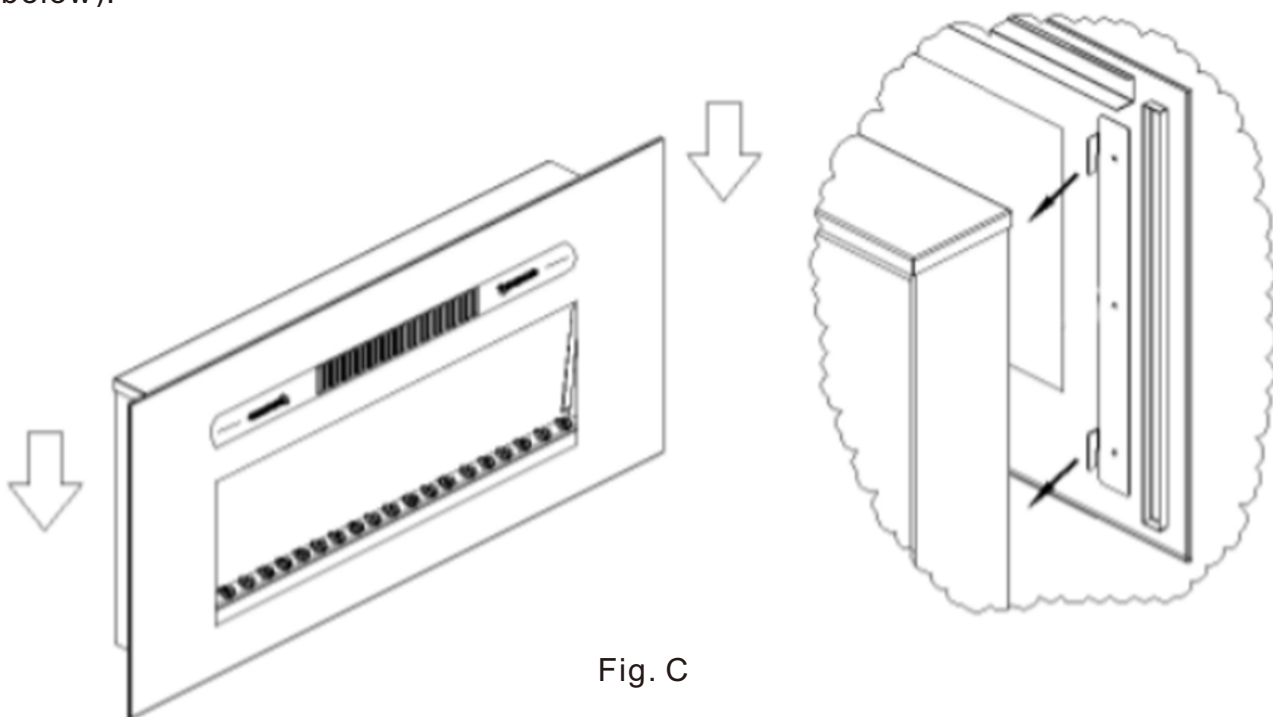


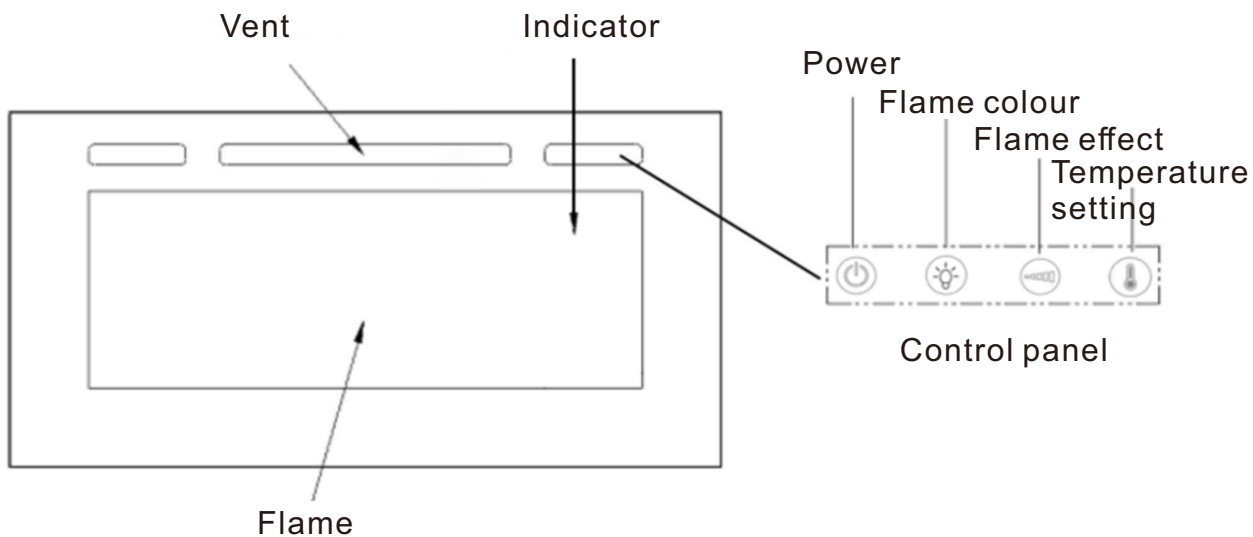
Fig. C

CAUTION: Before operating the unit, ensure all screws are tightened.

OPERATION

After reading all the instructions, ensure the fireplace controls are in the OFF position. Then, plug the fireplace into a 15A/120V outlet.

USING THE CONTROL PANEL



The controls are on the right side of the unit.



: Press this button to turn the fireplace on. Press it again to turn it off. Once the fireplace is turned off, the fan will continue to operate for 60 seconds without heat.



: Press this button to change the flame color. There are ten different flame effects available. Keep pressing the button until you reach the desired color effect.



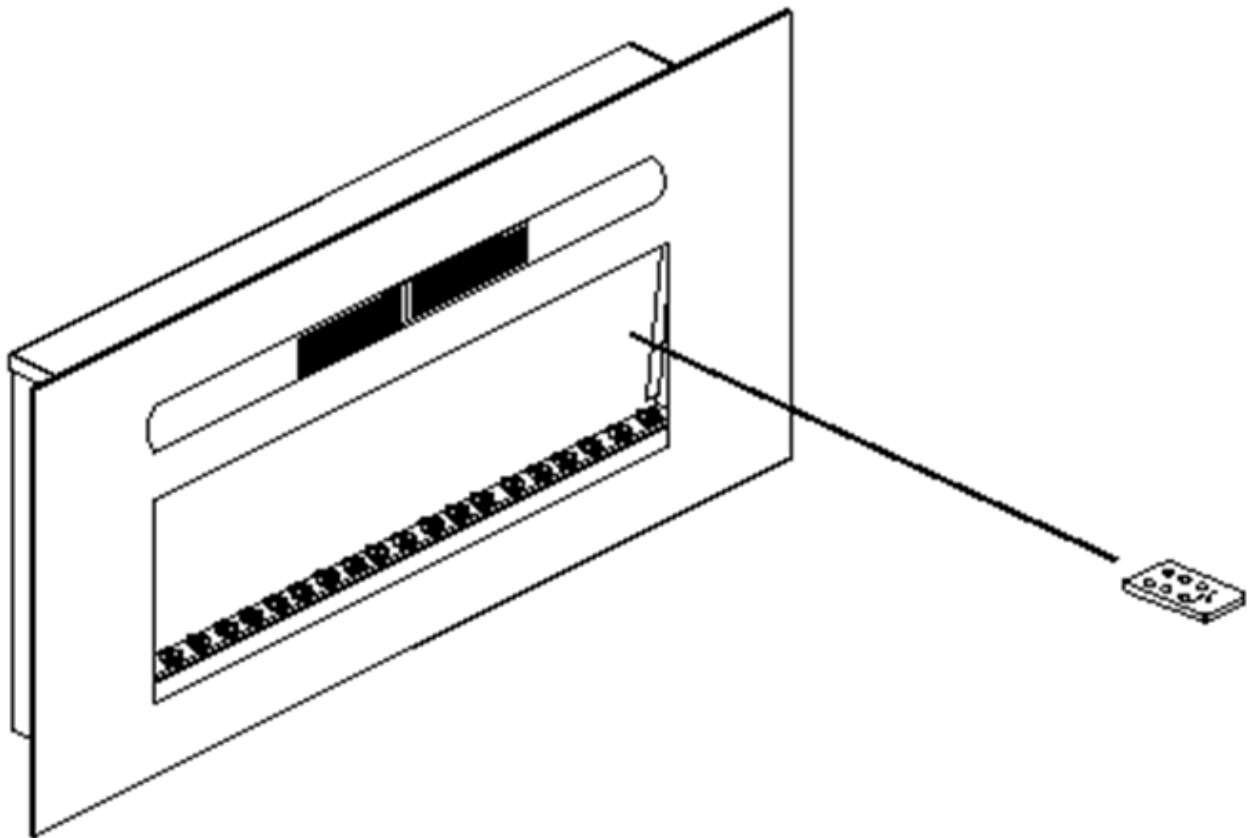
: Press the button to change the flame effect. Press it again to decrease the flame intensity. There are six light intensities available, numbered from 6-1. Press the button once more to stop the flame effect.



: Press this button to set the temperature – press it repeatedly until you reach the desired temperature. Once the desired ambient temperature is reached, the heater will automatically stop heating. Please note, if the ambient temperature drops 2°C below the desired temperature, the heater will resume heating.

USING THE REMOTE CONTROL

NOTE: For optimal performance, use the remote control in front of the heater, ensuring you do not exceed five meters from the heater.



1 CR2025 batteries required (NOT INCLUDED)



: Press this button to turn the fireplace on. Press it again to turn it off. Once the fireplace is turned off, the fan will continue to operate for 60 seconds without heat.



: Press this button to toggle between the two temperature scales. The corresponding Celsius (C) or Fahrenheit (F) LED will indicate the current temperature scale setting.



: Press this button for the timer function. The LED screen will display the options from 0H-8H, 0H indicates that there is no set running time – the heater will run continuously. The numbers 1H-8H represent the number of hours that the heater will run before automatically shutting off.



: Press this button to activate the heat function. Press it again to turn it off.



: Press this button to change the flame color. There are ten different flame effects available. Keep pressing the button until you reach the desired color effect.



: Press the button to change the flame effect. Press it again to decrease the flame intensity. There are six light intensities available, numbered from 6-1. Press the button once more to stop the flame effect.



: Press these buttons to adjust the temperature. Once the desired ambient temperature is reached, the heater will automatically stop heating. If the ambient temperature drops below the desired temperature by 2°C, the heater will resume heating to maintain the set temperature.



11 REMOTE CONTROL BATTERY REPLACEMENT

Replace with a CR2025 battery. To install the new battery, follow the diagram on the back of the remote control.

⚠ WARNING

- **INGESTION HAZARD:** This product contains a button cell or coin battery.
- **DEATH** or serious injury can occur if ingested.
- A swallowed button cell or coin battery can cause **Internal Chemical Burns** in as little as **2** hours.
- **KEEP** new and used batteries **OUT OF REACH** of **CHILDREN**
- **Seek immediate medical attention** if a battery is suspected to be swallowed or inserted inside any part of the body.



- 1.) Battery type:CR2025
- 2.)Nominal Vlotage 3V

Battery

- a) Remove and immediately recycle or dispose of used batteries according to local regulations and keep away from children. Do NOT dispose of batteries in household trash or incinerate.
- b) Even used batteries may cause severe injury or death.
- c) Call a local poison control center for treatment information.
- d) A statement indicating the compatible battery type Cr2025.
- e) A statement indicating the nominal battery voltage.
- f) Non-rechargeable batteries are not to be recharged.
- g) Do not force discharge, recharge, disassemble, heat above (manufacturer's specified temperature rating) or incinerate. Doing so may result in injury due to venting, leakage or explosion resulting in chemical burns.
- h) Ensure the batteries are installed correctly according to polarity (+ and -).
- l) The statement "Do not mix old and new batteries, different brands or types of batteries, such as alkaline, carbon-zinc, or rechargeable batteries."
- j) The statement "Remove and immediately recycle or dispose of batteries from equipment not used for an extended period of time according to local regulations."
- k) The statement "Always completely secure the battery compartment. If the battery compartment does not close securely, stop using the product, remove the batteries, and keep them away from children.

MAINTENANCE

WARNING: Before performing any maintenance or cleaning, turn off and unplug the appliance to reduce the risk of fire or electric shock. It is recommended to have maintenance tasks carried out by a qualified technician.

CLEANING

CAUTION: Before cleaning, wait for the appliance to completely cool down.

CLEANING GLASS PANEL

- Use a dry cloth to remove dust.
- Use a damp cloth to remove fingerprints and other marks from the glass door.
- Do not use abrasive cleaners or liquid sprays on glass door surfaces.
- Clean metal and metal-painted parts with a damp cloth only. Do not use abrasive cleaners or liquid sprays on these surfaces.

If you have any questions, please contact our customer care center.

Our contact details are below:



001-877-644-9366



customerservice@aosom.com

Imported by Aosom LLC
27150 SW Kinsman Rd Wilsonville, OR 97070 USA
MADE IN CHINA

