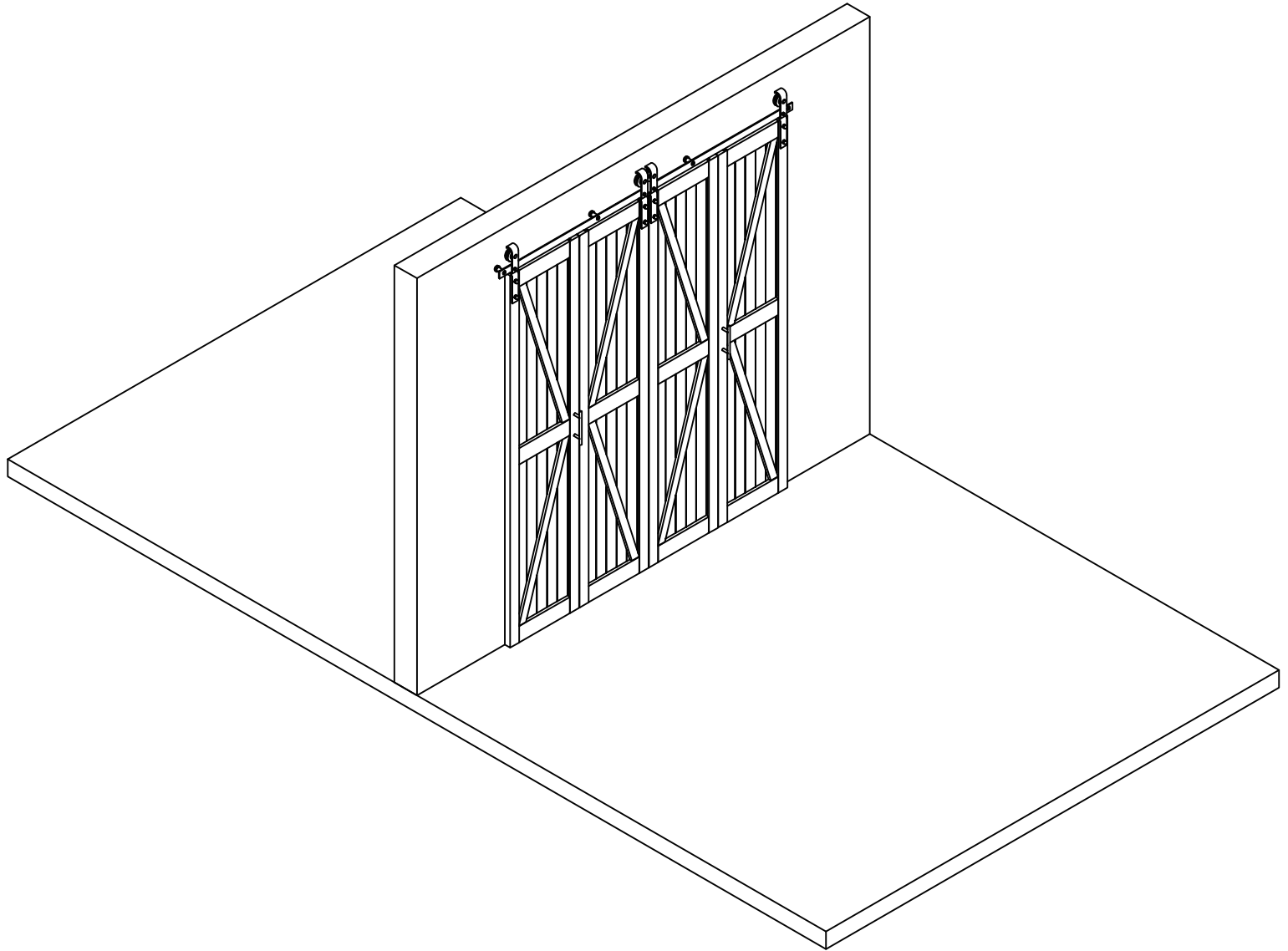


Bifold Barn Door (48in/60in/72) User Manual (NV039-DX)

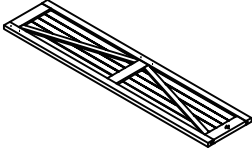
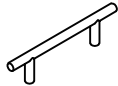
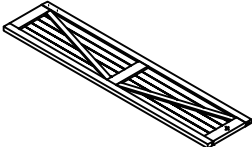
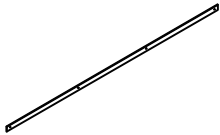
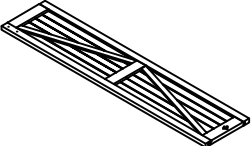
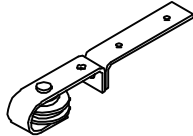
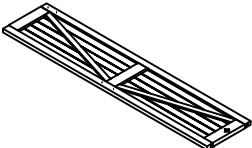
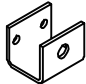
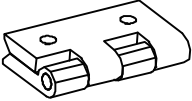
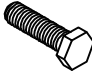
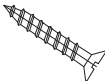

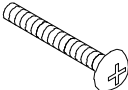
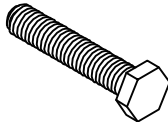


*Note: If you encounter any problems with the installation, missing or replacement parts, Please contact us. Please also tell us your “**ORDER ID**,” we will solve the issue for you as soon as possible.*

Customer Service: (855)208-0668 (MON-FRI 9:00am-5:00pm Eastern Time) or help@EverythingSupport.com






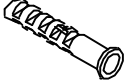

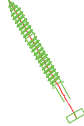
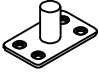

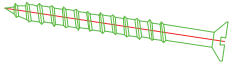
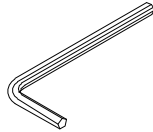
Hardware List

- The instructions are general versions for reference only. The installation methods are basically the same. If you have any doubts, please contact customer service.
- Carefully remove all the parts from the carton and place them individually on a softcloth to prevent scratches or other damage.
- Carefully and strictly follow these assembly&installation instructions to ensure acompleted product as designed.

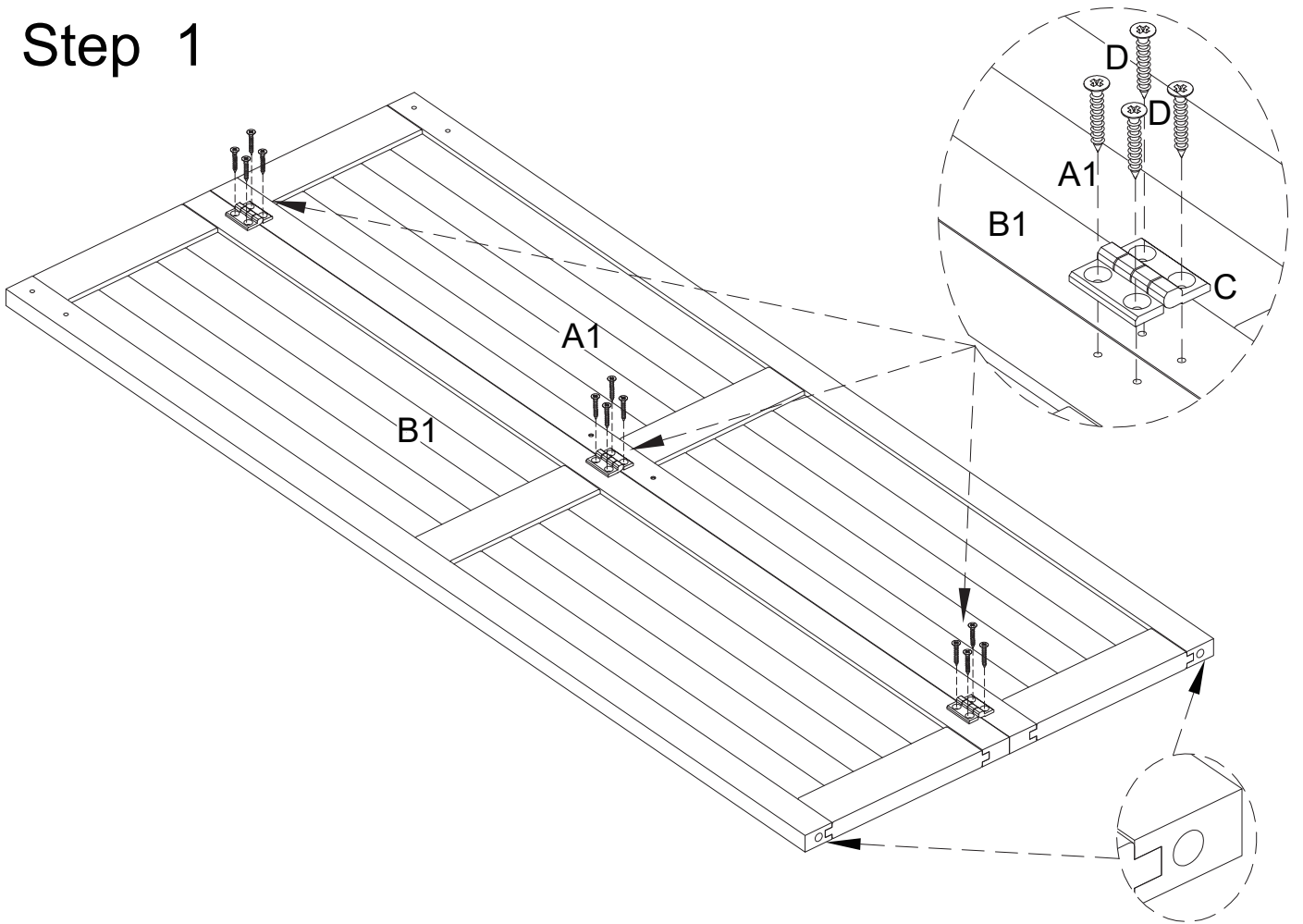
A1		1 PC	F		2 PCS
B1		1 PC	G		1 PC
A2		1 PC	H		4 PCS
B2		1 PC	I		2 PCS
C		6 PCS	J		2 PCS
D		24 PCS	K		4 PCS
E		4 PCS	L		8 PCS

Hardware List

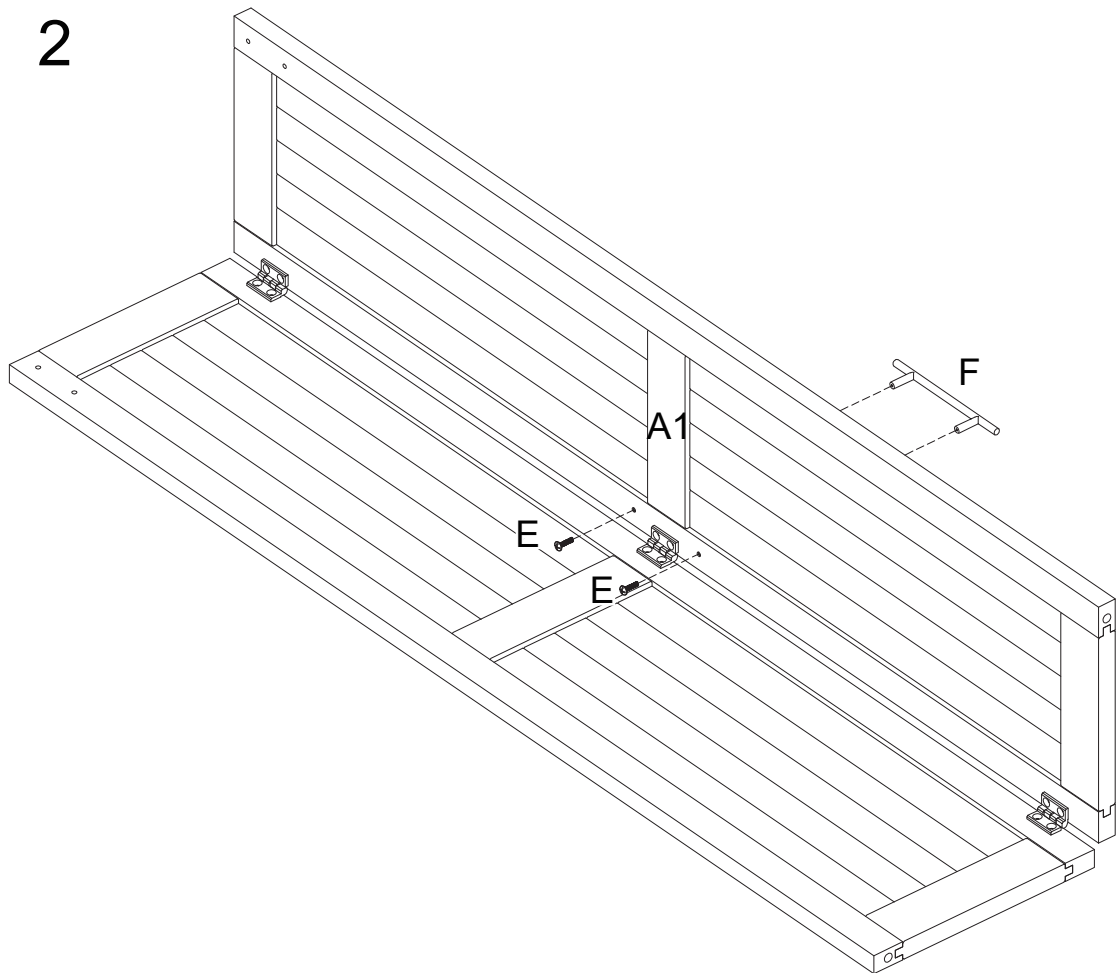
- The instructions are general versions for reference only. The installation methods are basically the same. If you have any doubts, please contact customer service.
- Carefully remove all the parts from the carton and place them individually on a softcloth to prevent scratches or other damage.
- Carefully and strictly follow these assembly&installation instructions to ensure acompleted product as designed.

M		8 PCS	S		4.68FT*4 5.75FT*4 6.73FT*5
N		16 PCS	T		4.68FT*4 5.75FT*4 6.73FT*5
O		1 PC	U		5 PCS
P		2 PC	V		5 PCS
Q		2 PCS	W		5 PCS
R		8 PCS	X		1 PCS

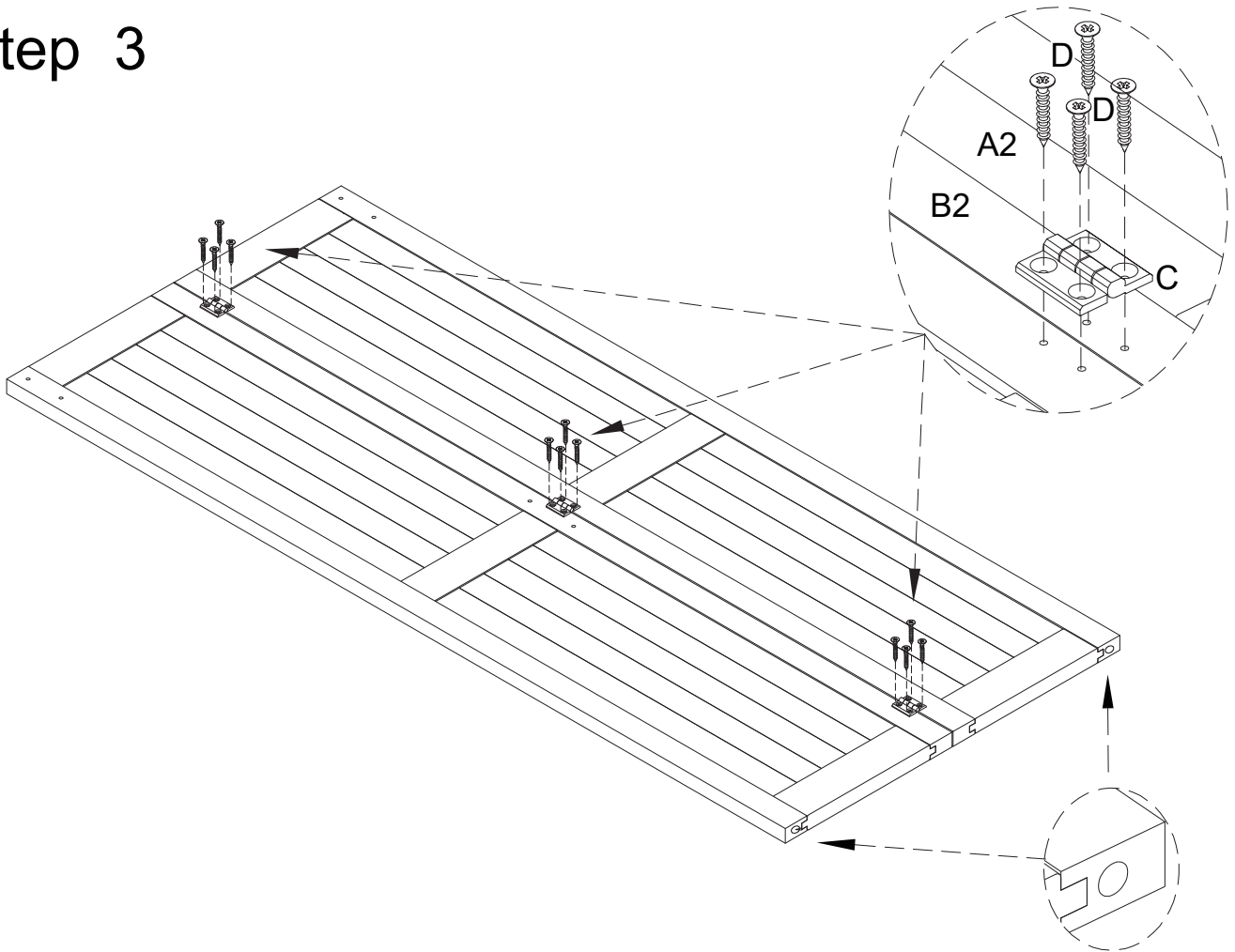
Step 1



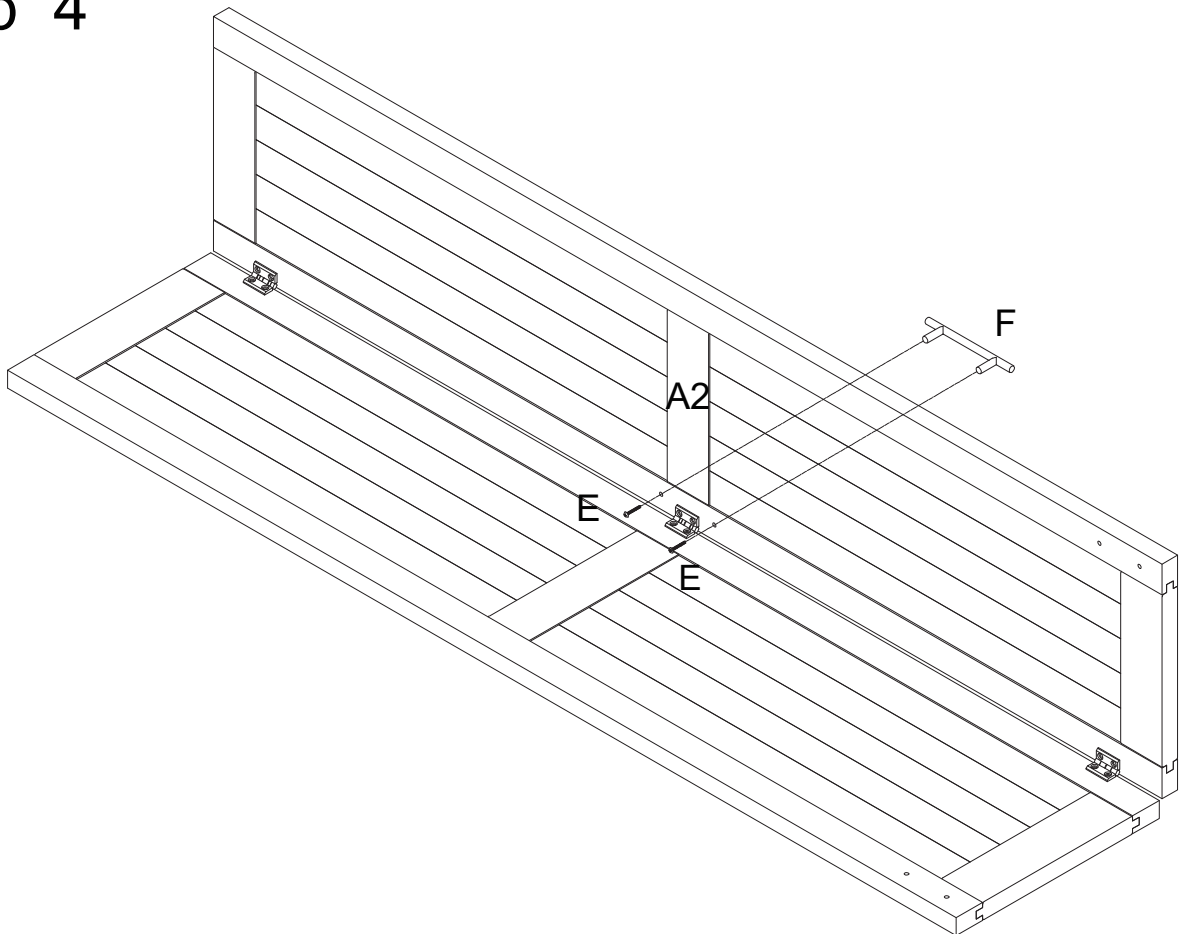
Step 2



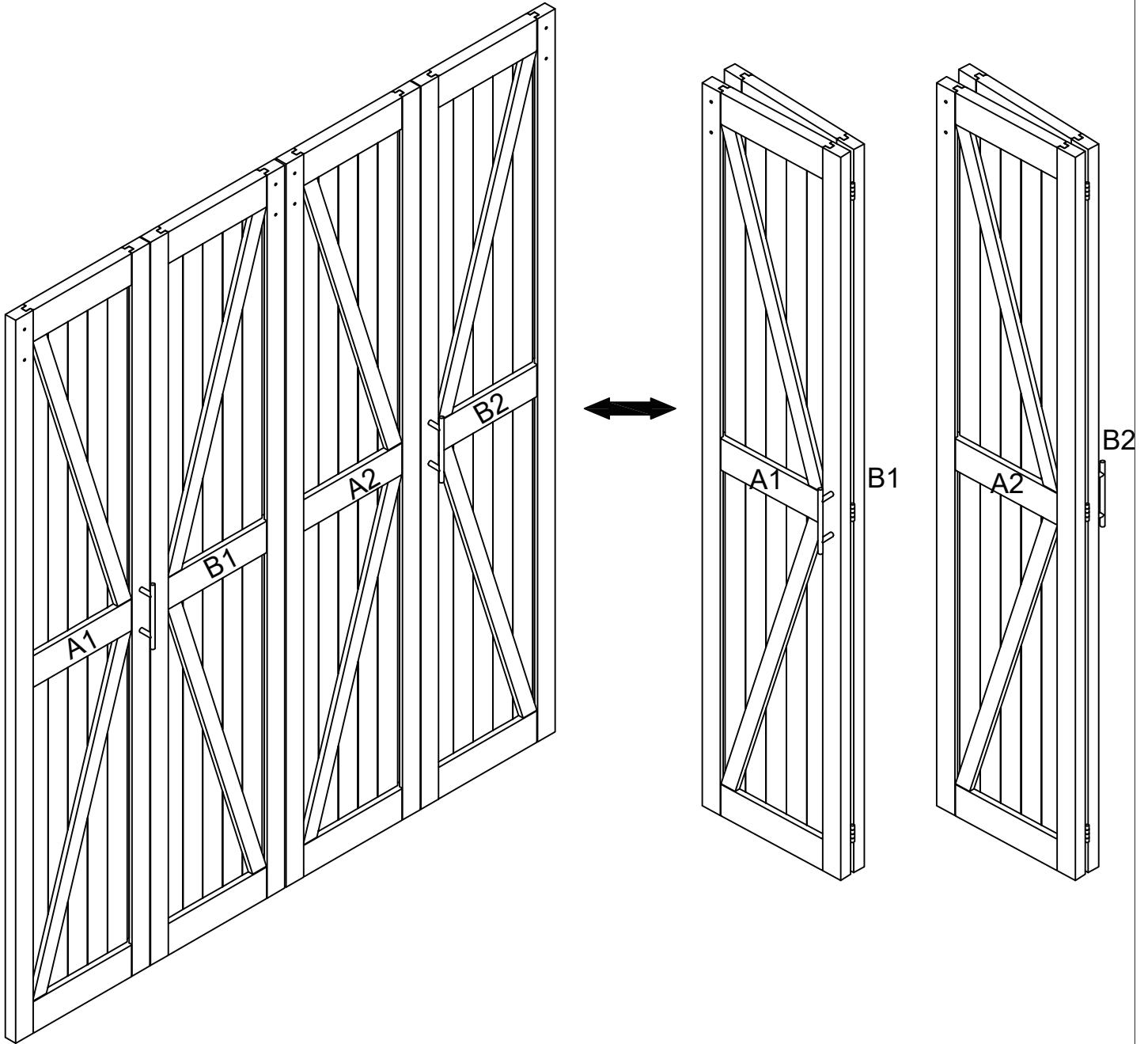
Step 3



Step 4



Step 5

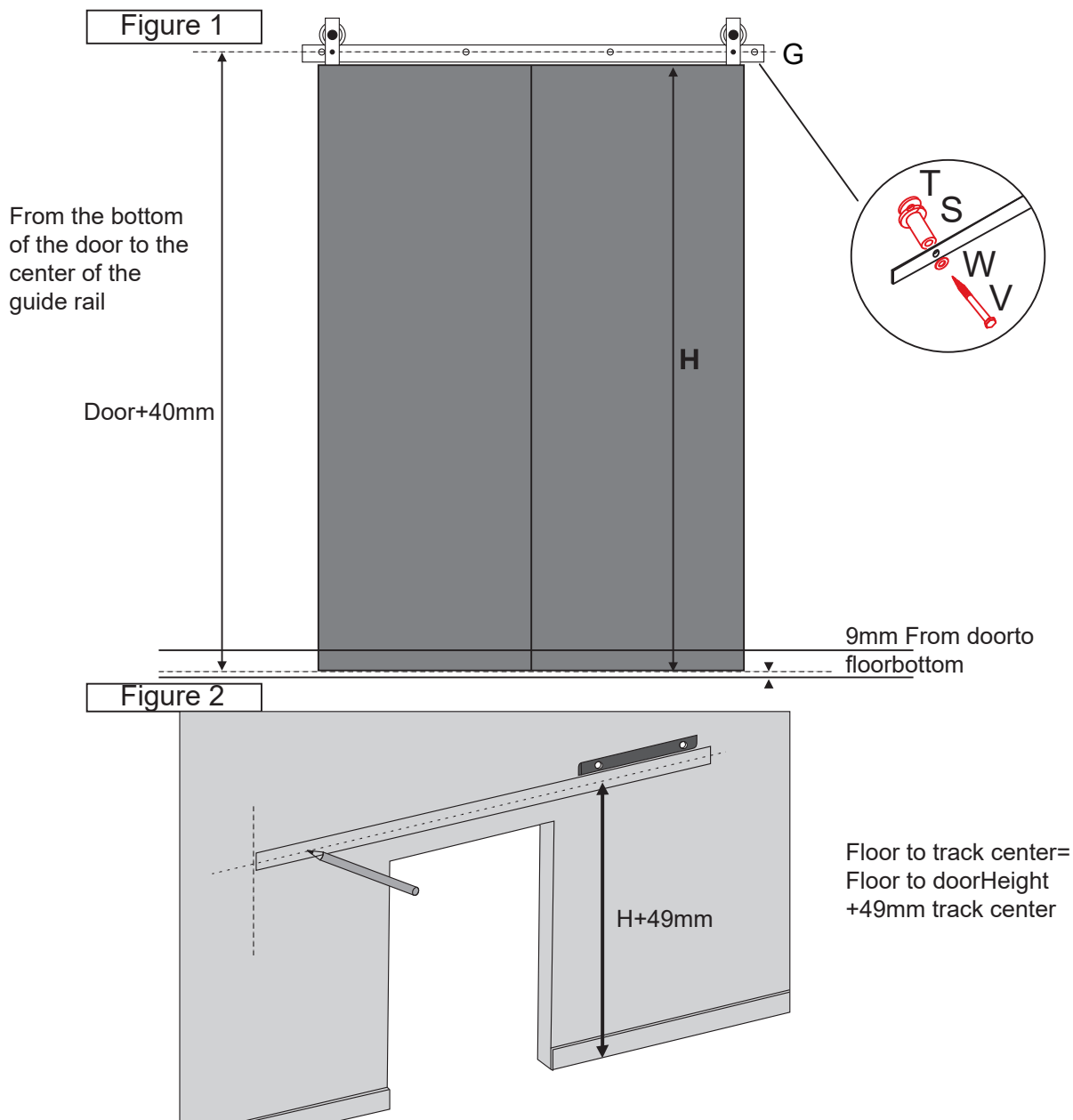


Final Assembly

Step 6

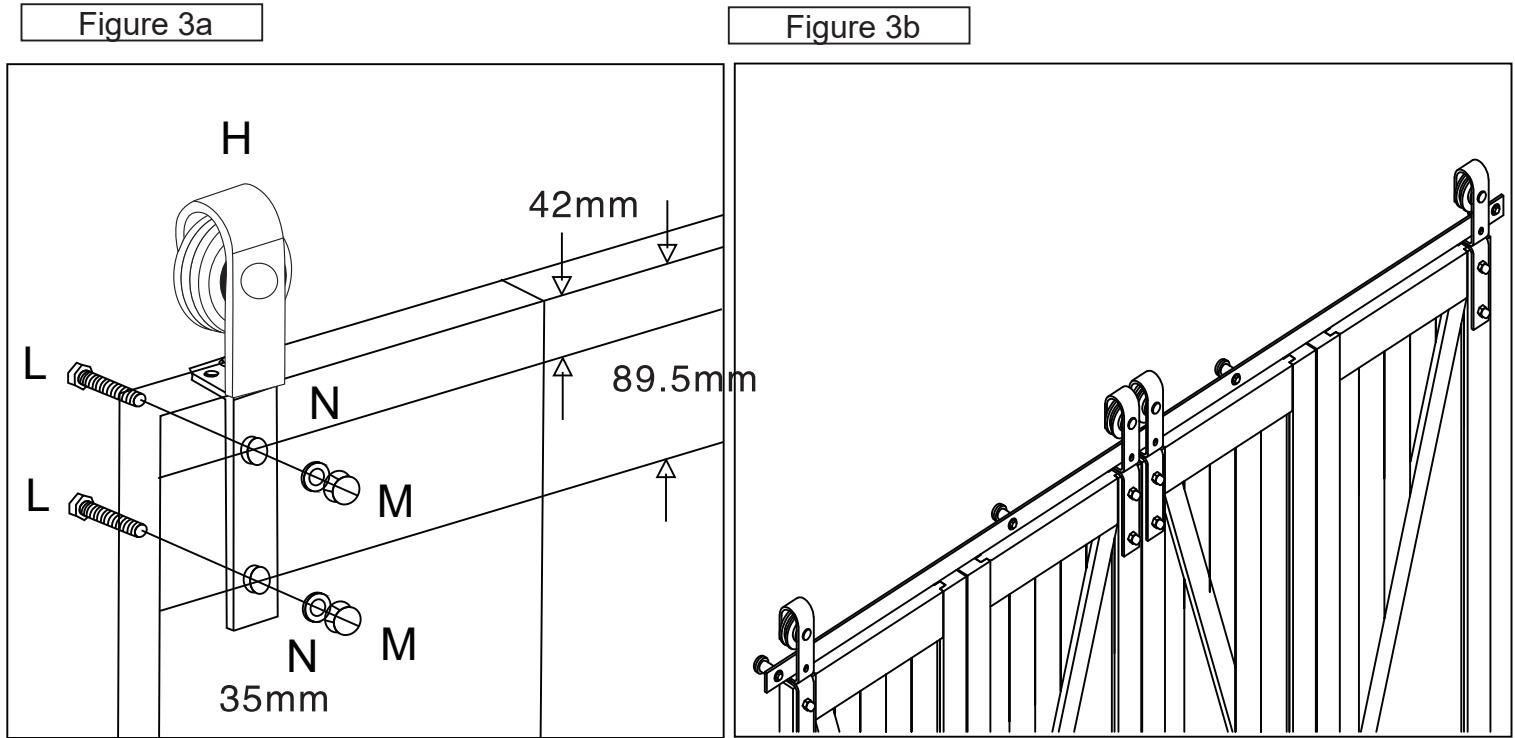
1. The position of the track center is equal to the height of the door plus 40mm (Figure 1) (this will leave approximately 9mm gap between the floor and the bottom of the door)
2. Use a high-quality pencil and gently draw a pencil line on the wall to indicate the center position of the fixed track (Figure 2).
3. Mark the line where the guide rail spacing holes are located, and drill the fastener holes in advance using a 9.5mm drill bit on the wall.
4. Install the guide rail using the provided self tapping screws, pipe clamps, and guide rail washers.

Attention: Even if there is solid wood behind, do not directly install the guide rail gasket on the gypsum board. Otherwise, the guide rail gasket may be compressed. Crushed gypsum board may cause malfunctions in the track system.

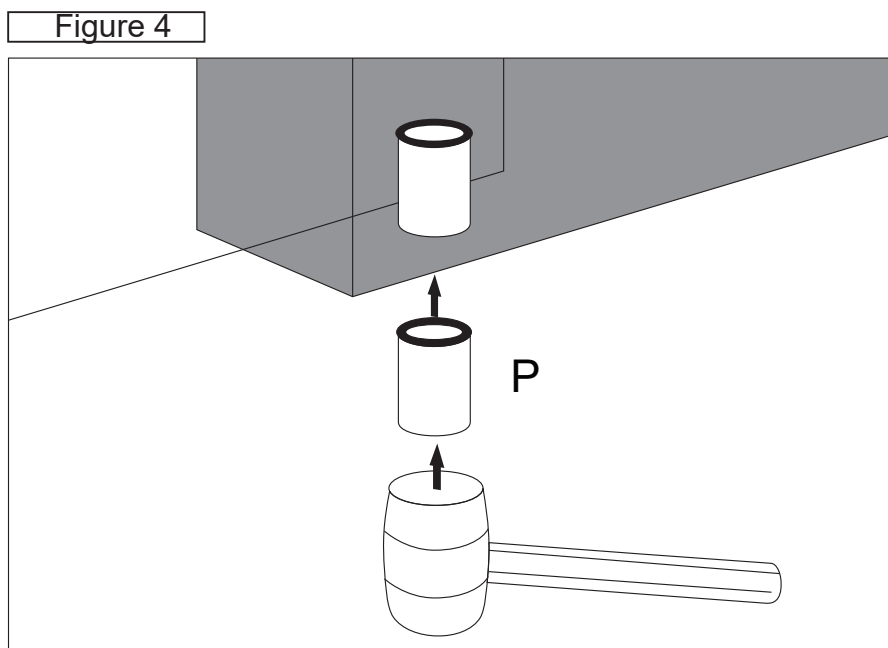


Step 7

1. Install the hanging wheel according to the hole position.(Figure 3)

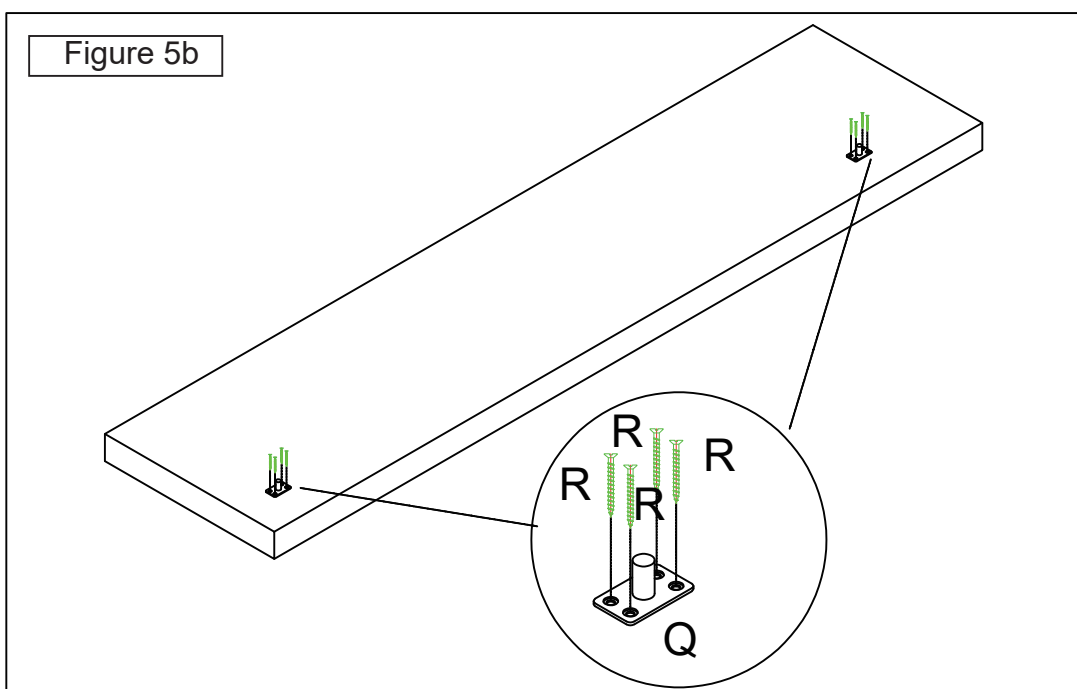
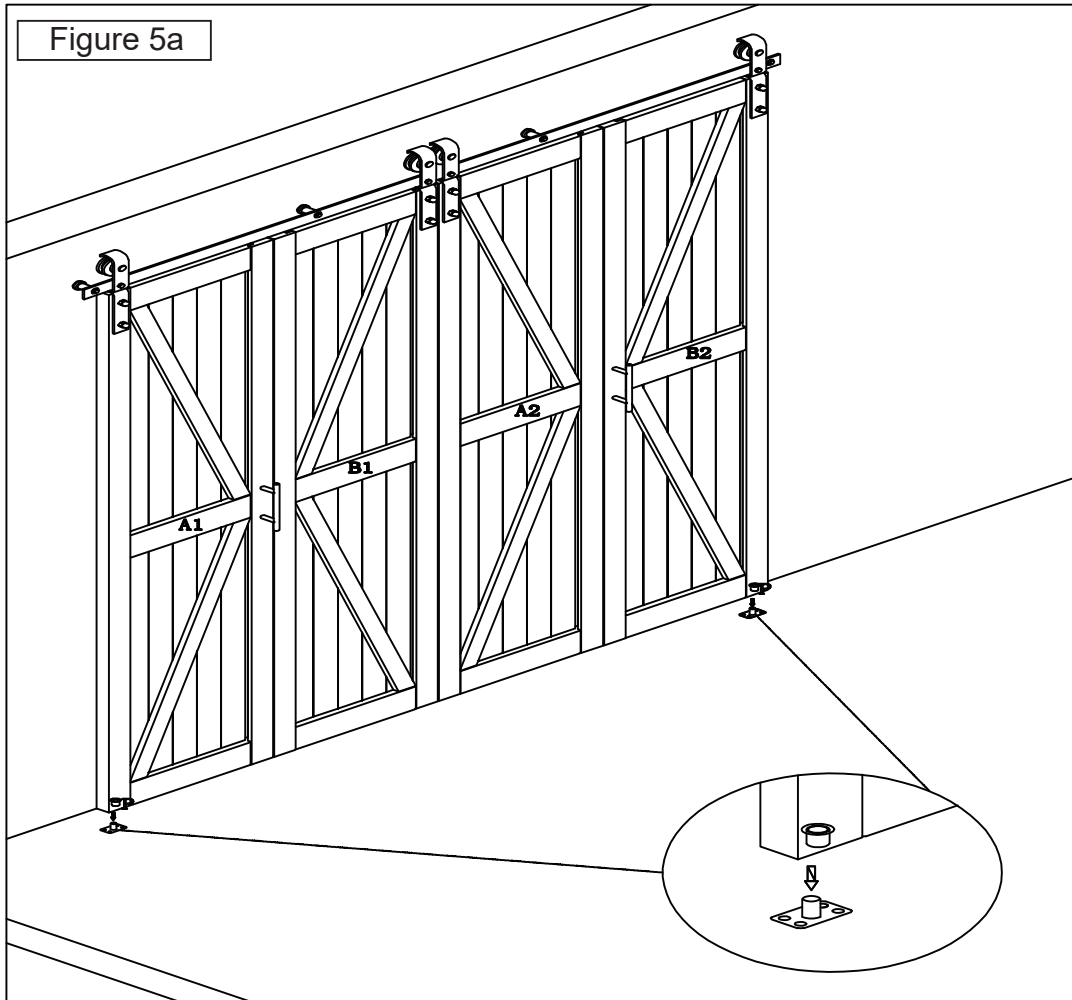


2. install a sleeve at the bottom of the door (Figure 4), insert the sleeve.



Step 8

1. install the bottom stopper, The position of this bottom stopper is crucial for the normal operation of the double folding compartment door. Gently pull out the door insert the bottom stopper (Figure 5a) into the sleeve located at the bottom of the positioning door and reposition the door.
2. Use a leveling tool and pencil to mark the front and outer edges of the foot on the bottom door panel of the door position (see Figure 5b)



Step 9

1. Lift the door up close to the wall, pull it forward, and connect it with the top connecting plate. The top of the door is equipped with fixed and adjustable rollers (See Figure 6a). (Ensure that the fixing screws on the side of the fixed roller and adjustable wheel are inserted into the slot)
2. Use the provided 2.5mm hex wrench to tighten the fixing screws to lock the adjustable meterscrew assembly on the top connecting plate (see Figure 6b). Setting this screw to a depth of approximately 9.5mm will ensure proper holding position.
3. Slide the door to the desired position on the track (Figure 6c)

Figure 6a

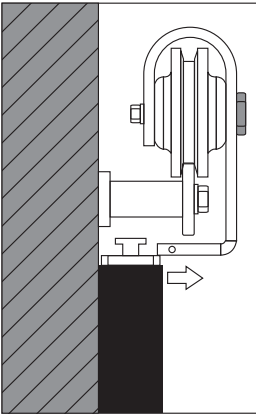


Figure 6b

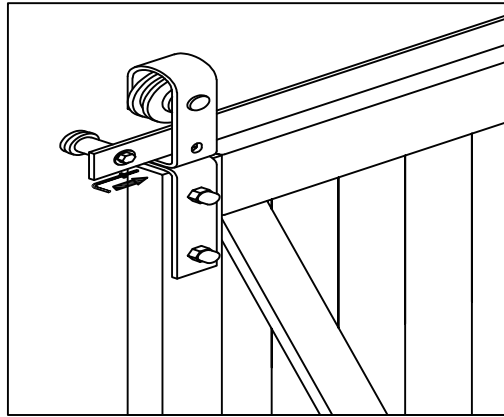
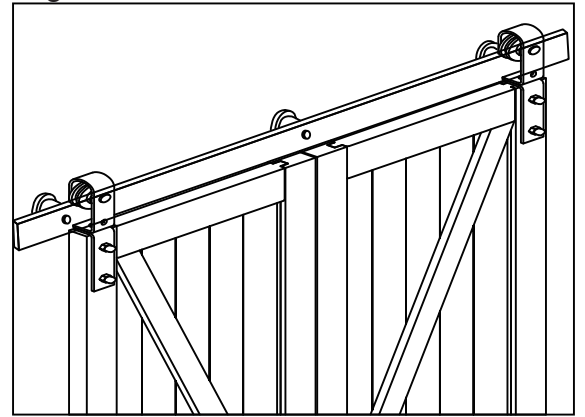


Figure 6c



Step 10

1. Hang the roller on the guide rail and slide it to the appropriate position, then hook the back of the fixed bracket onto the back of the guide rail. Align the front screw hole with the roller for installation and fixation (Figure 7b)
2. Use a 13mm open-end wrench to tighten the M8 * 25mm screw between the roller and the fixed bracket (Figure 7c)
3. Use a 2.5mm hex wrench to tighten the fixing screws on the back of the bracket (Figure 7d)

Figure 7a

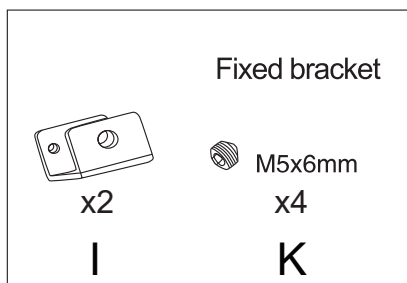


Figure 7b

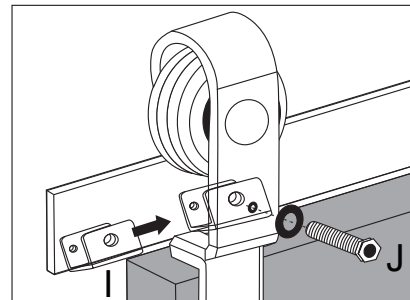


Figure 7c

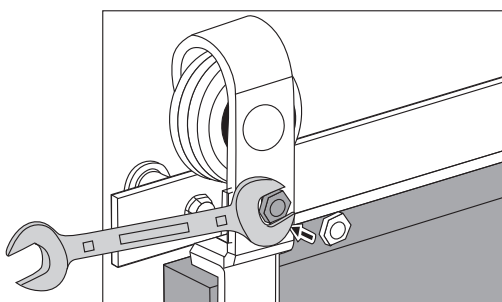
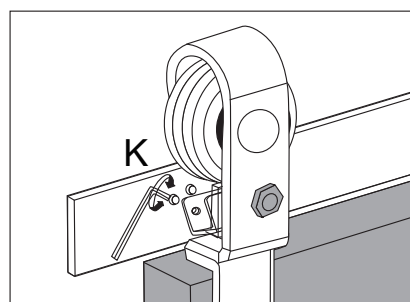


Figure 7d



AFTER-SALES SERVICE CARD

We sincerely thank you for trusting our service and our products, and may this product add enrichment to your home. We guarantee that the product has undergone strict quality inspection and meticulous packaging. If you encounter any issue regarding either shipping or the product, please feel free to contact us at any time. We'd be more than happy to serve you wholeheartedly.

- This manual contains important information and keep it properly.
- Please avoid harsh, corrosive and abrasive cleaners.
- Keep dry and avoid damp environments.

Customer Service: (855)208-0668 (MON-FRI 9:00am-5:00pm Eastern Time) or help@EverythingSupport.com

If you have any questions or concerns please feel free to contact us. We're committed to providing our customers with the quality service.