







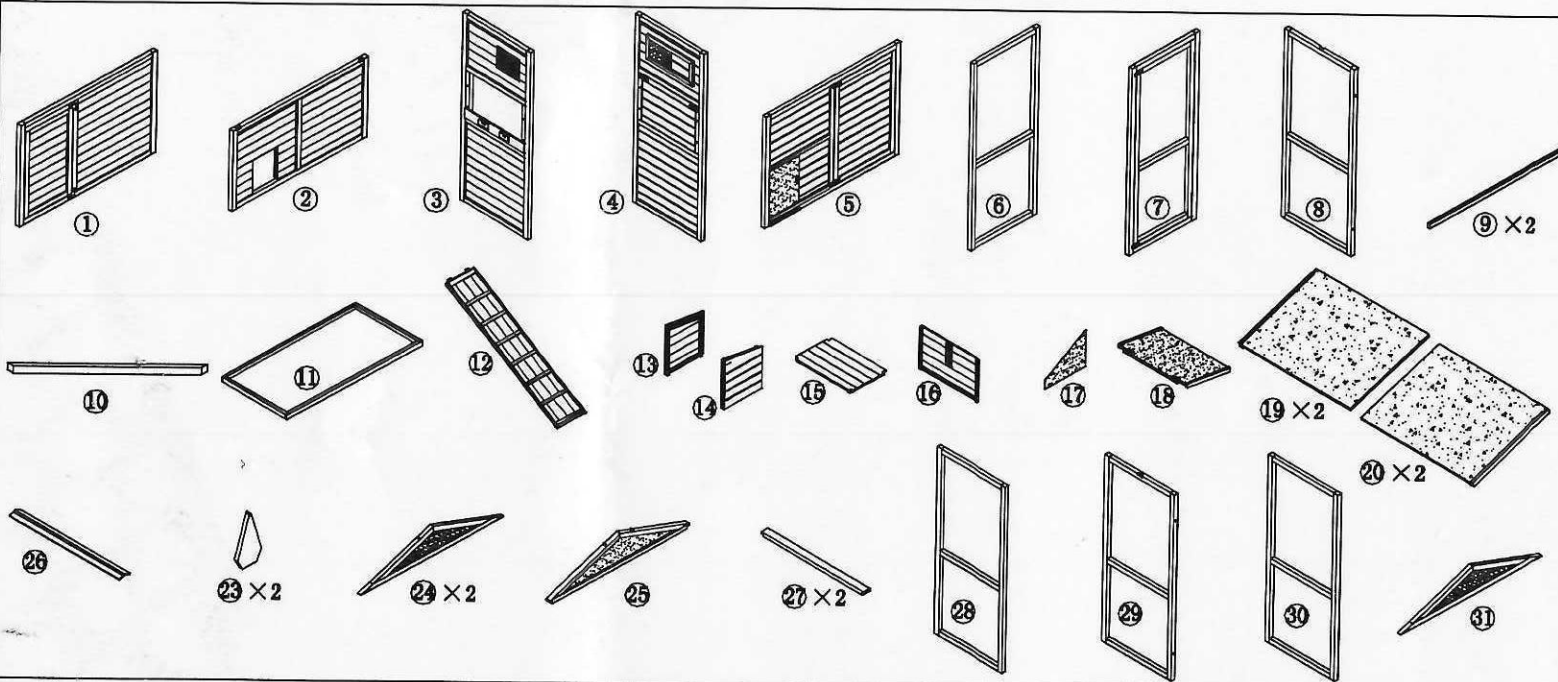
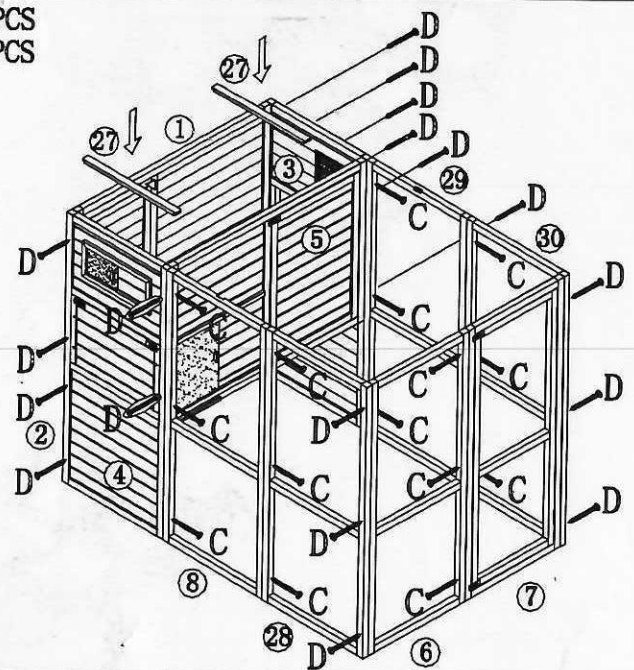


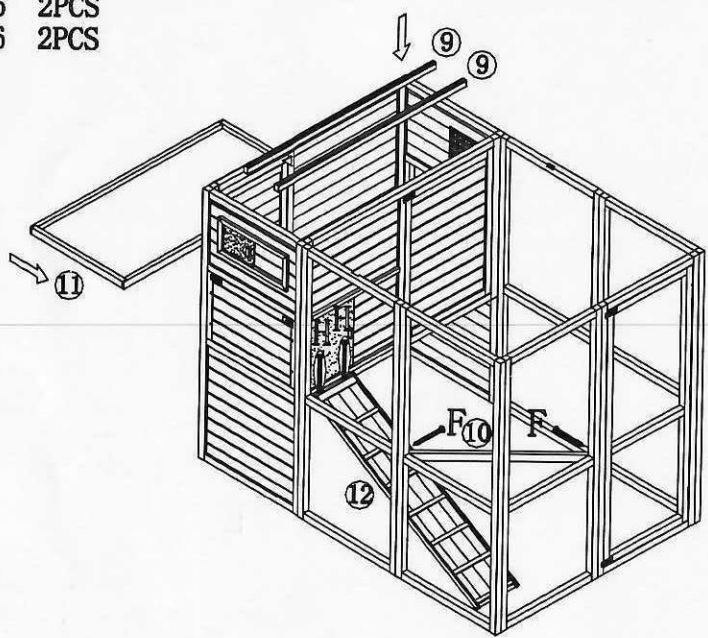
-  A M6*60 4PCS+1
-  B M6*50 4PCS+1
-  C M4*60 15PCS+1
-  D M4*55 18PCS+1
-  E M4*40 6PCS+1
-  F M4*35 26PCS+1
-  G M4*25 20PCS+1
-  H M3*16 8PCS+1



- C M4*60 15PCS
- D M4*55 18PCS



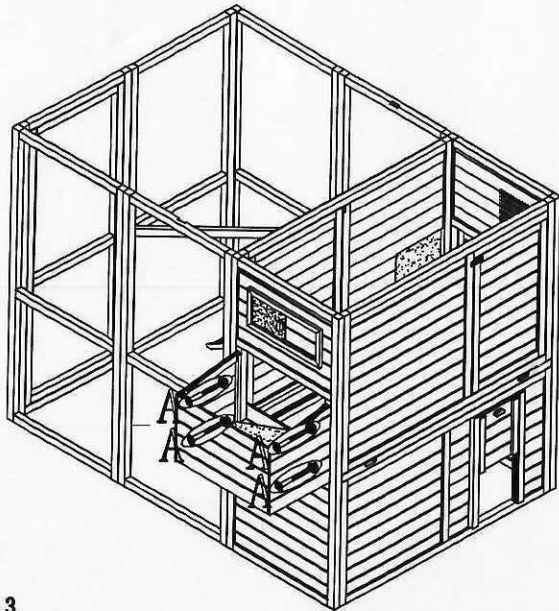
- F M4*35 2PCS
- H M3*16 2PCS



STEP 1

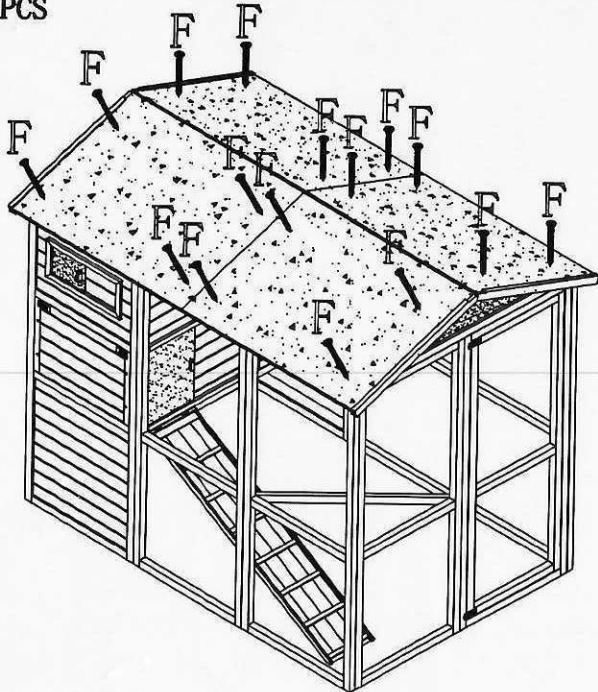
STEP 2

A M6*60 4PCS
B M6*50 4PCS



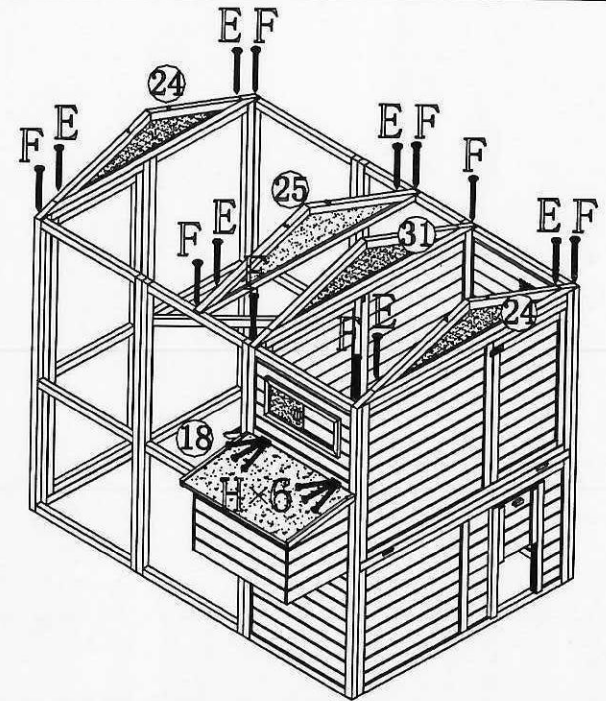
STEP 3

F M4*35 16PCS



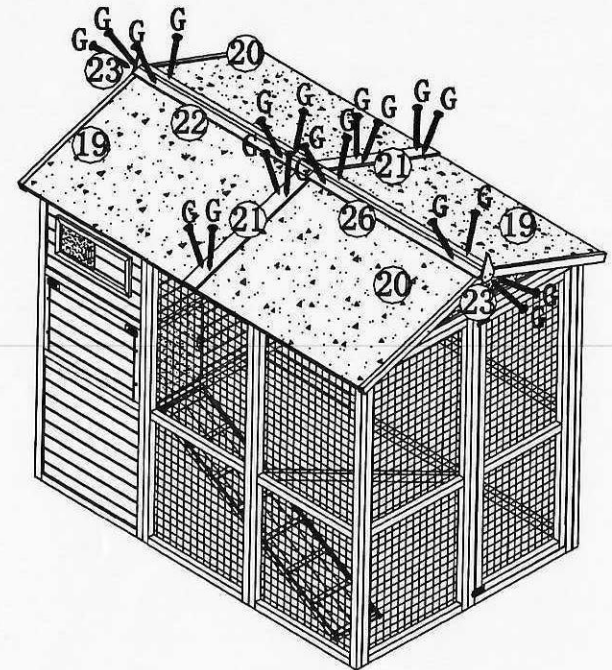
STEP 5

E M4*40 6PCS
F M4*35 8PCS
H M3*16 6PCS



STEP 4

G M4*25 20PCS



STEP 6