

STRASSER

CABINET DETAILS

Range Caroline

Mount Legs

Size 36 Inch

SKU

Bowl Option

NOTES

Revision

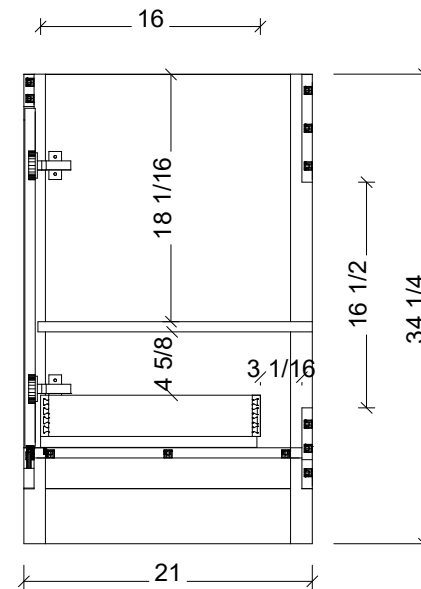
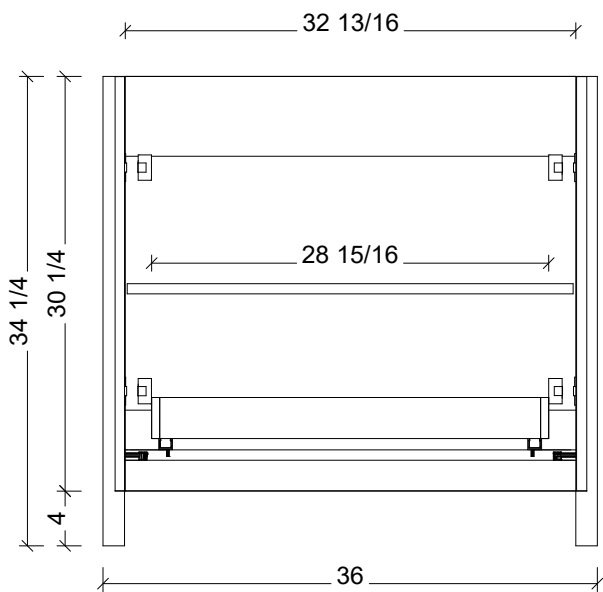
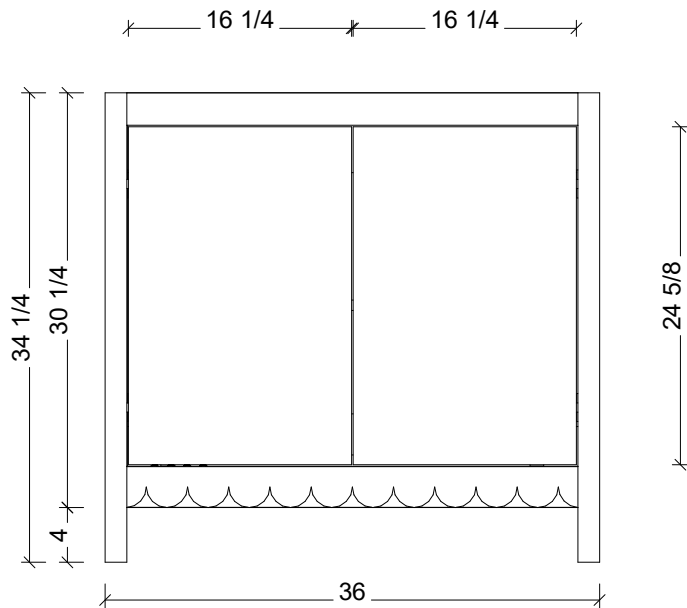
Date 01/19/26

DIMENSIONS SHOWN ARE IN INCHES, ARE NOMINAL ONLY AND SUBJECT TO CHANGE AT ANY TIME. DO NOT SCALE DRAWINGS. INSTALLER TO CONFIRM ALL DIMENSIONS ON-SITE PRIOR TO INSTALL. E&OE.

Copyright ©

STRASSER

14237 NE 200TH Street,
Woodinville, WA 98072
www.strasserwood.com
800 445 0494



STRASSER

CABINET DETAILS

Range _____

Mount _____

Size _____

SKU _____

Bowl Option _____

ORDER DETAILS

Sales Order _____ Default _____

Customer _____ Caroline Spec Sheets _____

Drawn By _____ Nick Scharbrough _____

Top Option _____

NOTES

Revision _____

Date _____ 01/19/26 _____

DIMENSIONS SHOWN ARE IN INCHES,
ARE NOMINAL ONLY AND SUBJECT TO
CHANGE AT ANY TIME.
DO NOT SCALE DRAWINGS.
INSTALLER TO CONFIRM ALL
DIMENSIONS ON-SITE PRIOR TO
INSTALL.
E&OE.

Copyright ©

STRASSER

14237 NE 200TH Street,
Woodinville, WA 98072
www.timberlinebp.com
800 445 0494

