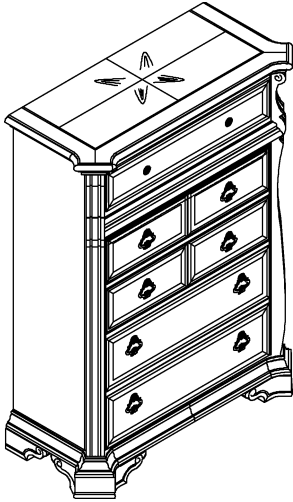


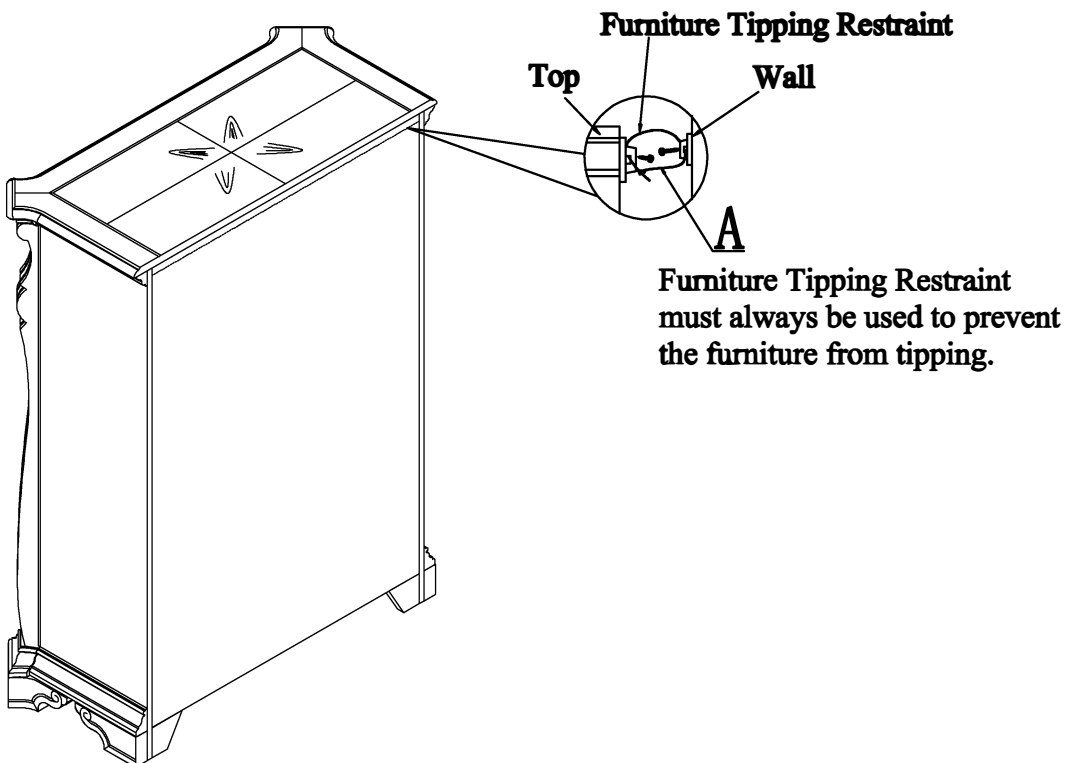
ASSEMBLY INSTRUCTION

DESCRIPTION: 6 DRAWER CHEST

Thank you for purchasing this quality product. Be sure to check all packing material carefully for small parts which may have some loose inside the carton during shipment. Identify and count all parts and compare with the parts List Below:



HARDWARE LIST			
NO.	Drawing	Description	Q'ty
A		Furniture Tipping Restraint	1 Set



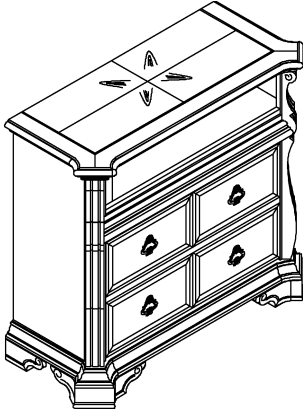
CLEANING INSTRUCTION


Clean the Drawer Chest surface with a furniture polish and a soft cloth.

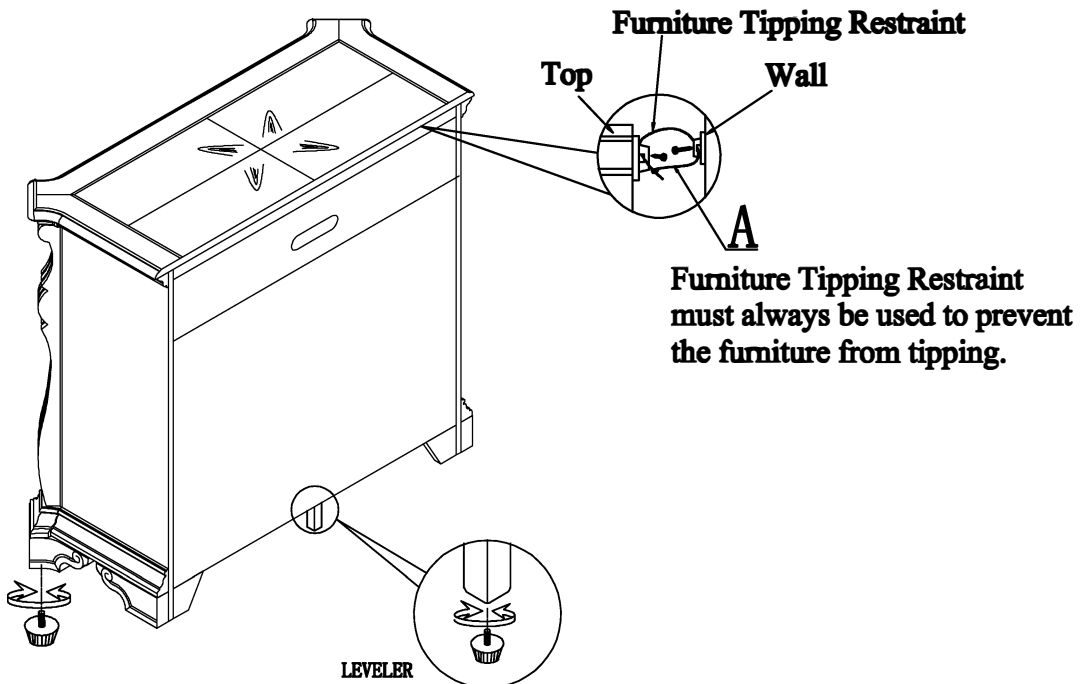
ASSEMBLY INSTRUCTION

DESCRIPTION: MEDIA CHEST

Thank you for purchasing this quality product. Be sure to check all packing material carefully for small parts which may have some loose inside the carton during shipment. Identify and count all parts and compare with the parts List Below:



HARDWARE LIST			
NO.	Drawing	Description	Q'ty
A		Furniture Tipping Restraint	1 Set



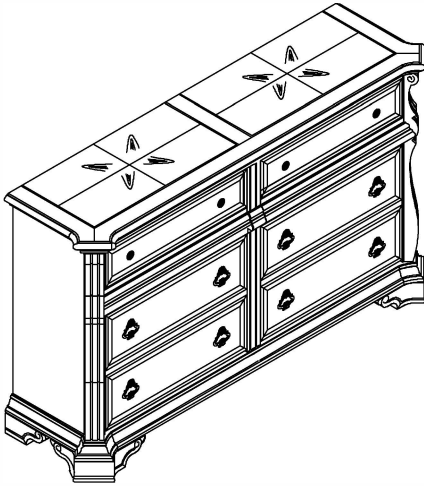
CLEANING INSTRUCTION

Clean the Media Chest surface with a furniture polish and a soft cloth.

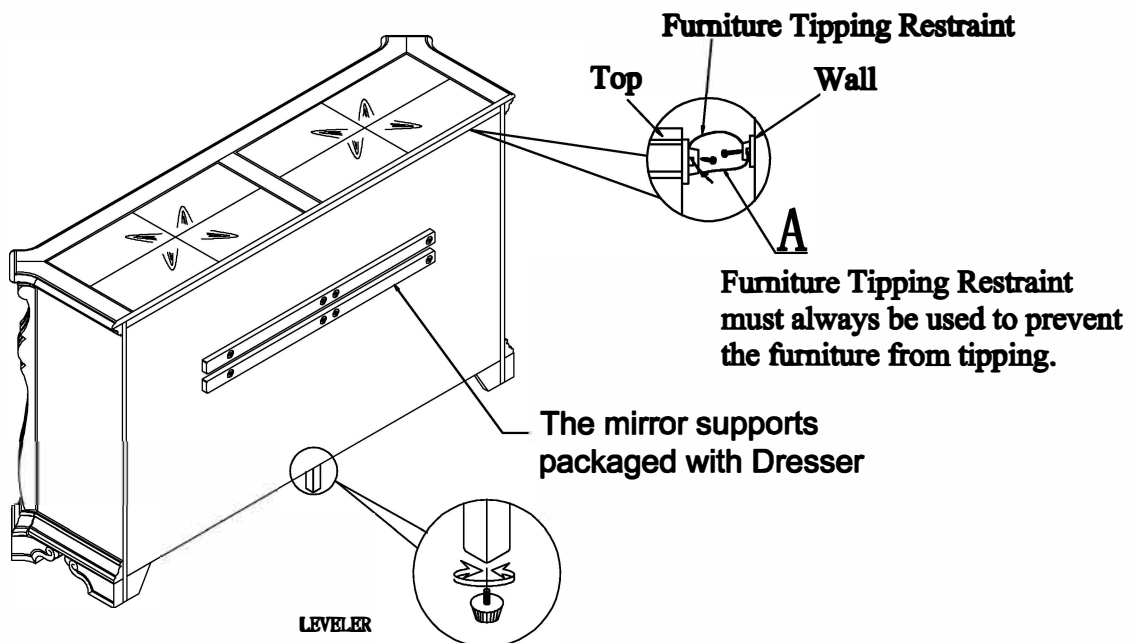
ASSEMBLY INSTRUCTION

DESCRIPTION: 8 DRAWER DOUBLE DRESSER

Thank you for purchasing this quality product. Be sure to check all packing material carefully for small parts which may have some loose inside the carton during shipment. Identify and count all parts and compare with the parts List Below:



HARDWARE LIST			
NO.	Drawing	Description	Q'ty
A		Furniture Tipping Restraint	1 Set



CLEANING INSTRUCTION

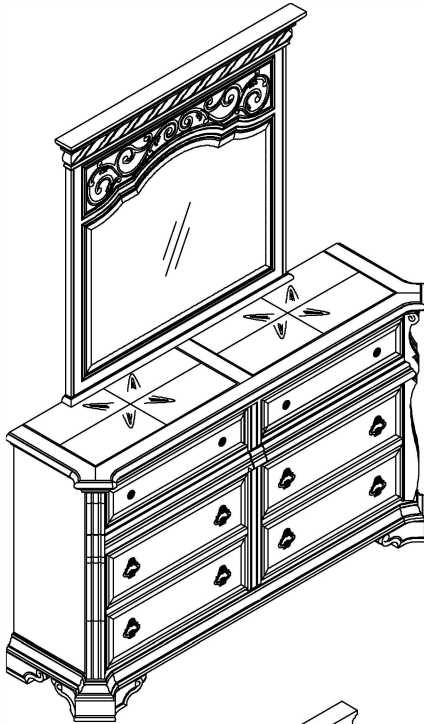
Clean the Dresser surface with a furniture polish and a soft cloth.

ASSEMBLY INSTRUCTION


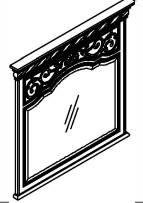
DESCRIPTION: LANDSCAPE MIRROR

8 DRAWER DOUBLE DRESSER

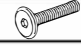
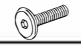



Thank you for purchasing this quality product. Be sure to check all packing material carefully for small parts which may have some loose inside the carton during shipment. Identify and count all parts and compare with the parts List Below:

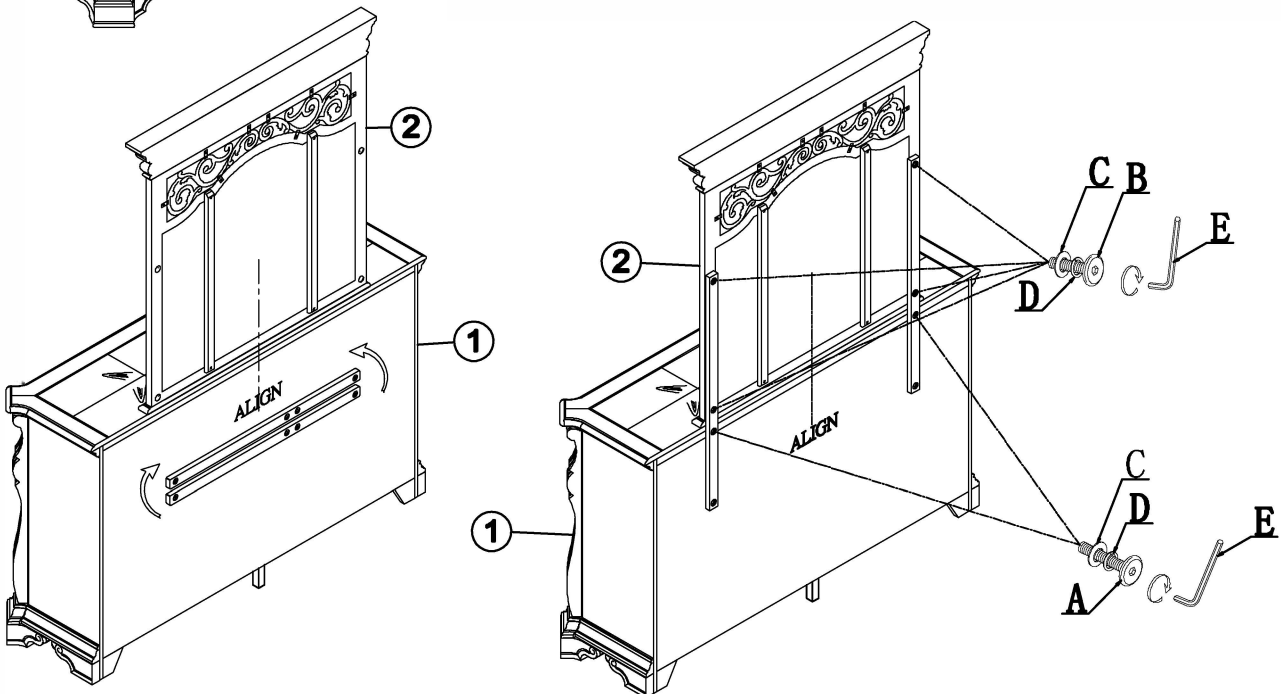


PART LIST

①		②	
DRESSER: 1PC		MIRROR : 1PC	

HARDWARE LIST

NO.	Drawing	Description	Q'ty
A		Bolt (Φ1/4"×1-1/2")	2pcs
B		Bolt (Φ1/4"×1-1/4")	4pcs
C		Flat washer (Ø1/4"×19mm)	6pc
D		Spring washer (Ø1/4")	6pcs
E		Allen wrench (4mm)	1pc



CLEANING INSTRUCTION

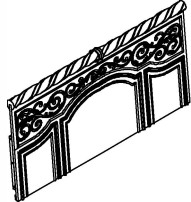
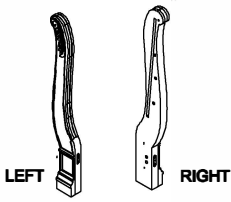
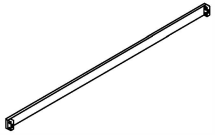
Clean the Dresser / Mirror surface with a furniture polish and a soft cloth.

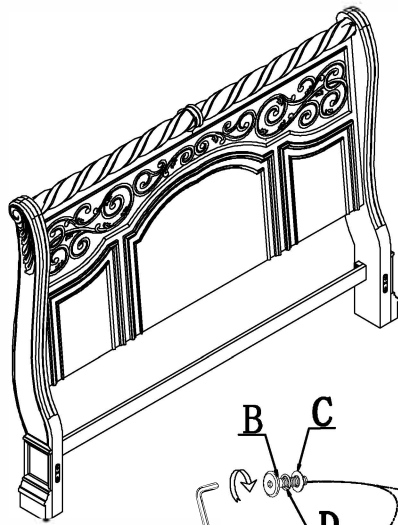
ASSEMBLY INSTRUCTION

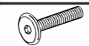
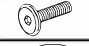



DESCRIPTION: KING SLEIGH HEADBOARD

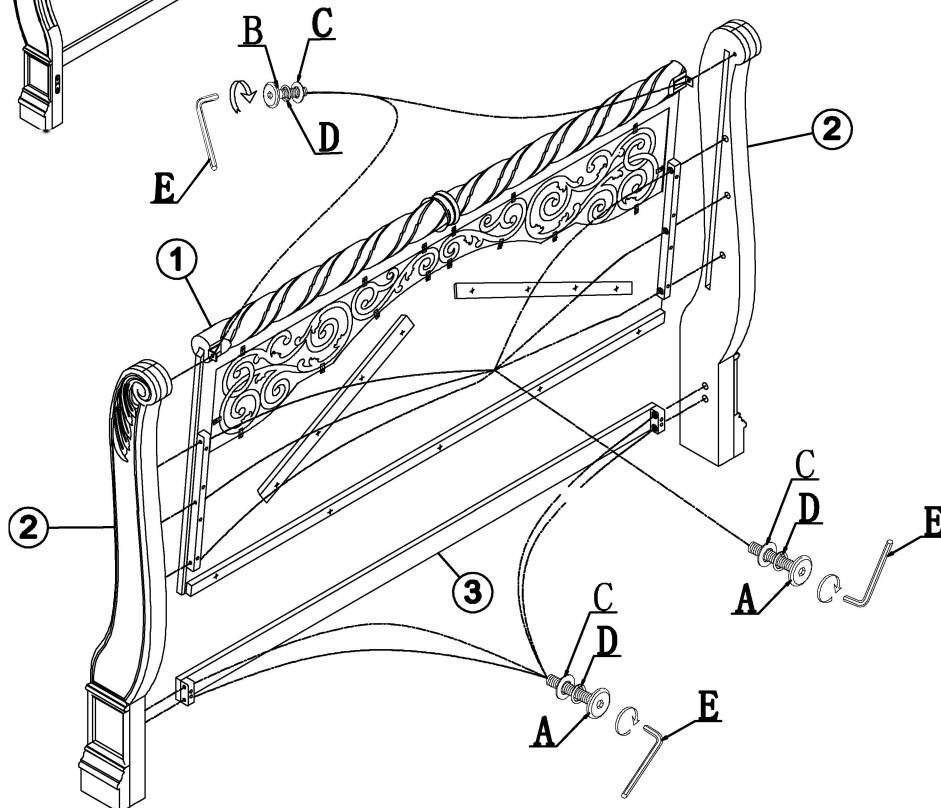
Thank you for purchasing this quality product. Be sure to check all packing material carefully for small parts which may have some loose inside the carton during shipment. Identify and count all parts and compare with the parts List Below:

PART LIST

 <p>①</p>	 <p>②</p> <p>LEFT RIGHT</p>	 <p>③</p>
HEAD BOARD: 1PC	POST : 2PCS	HEAD BOARD- SLAT : 1PC



HARDWARE LIST			
NO.	Drawing	Description	Q'ty
A		Bolt (Φ5/16"×1-1/2")	10pcs
B		Bolt (Φ5/16"×1")	2pcs
C		Flat washer (Ø5/16"×19mm)	12pc
D		Spring washer (Ø5/16")	12pcs
E		Allen wrench (5mm)	1pc



CLEANING INSTRUCTION

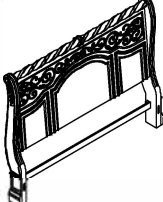
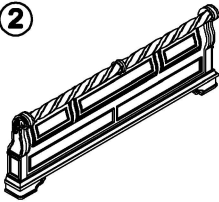
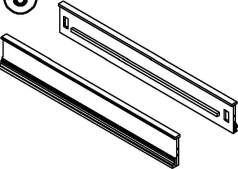
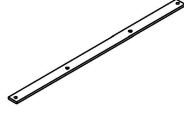

Clean the Headboard surface with a furniture polish and a soft cloth.

ASSEMBLY INSTRUCTION

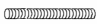




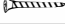
DESCRIPTION: KING SLEIGH BED

Thank you for purchasing this quality product. Be sure to check all packing material carefully for small parts which may have some loose inside the carton during shipment. Identify and count all parts and compare with the parts List Below:

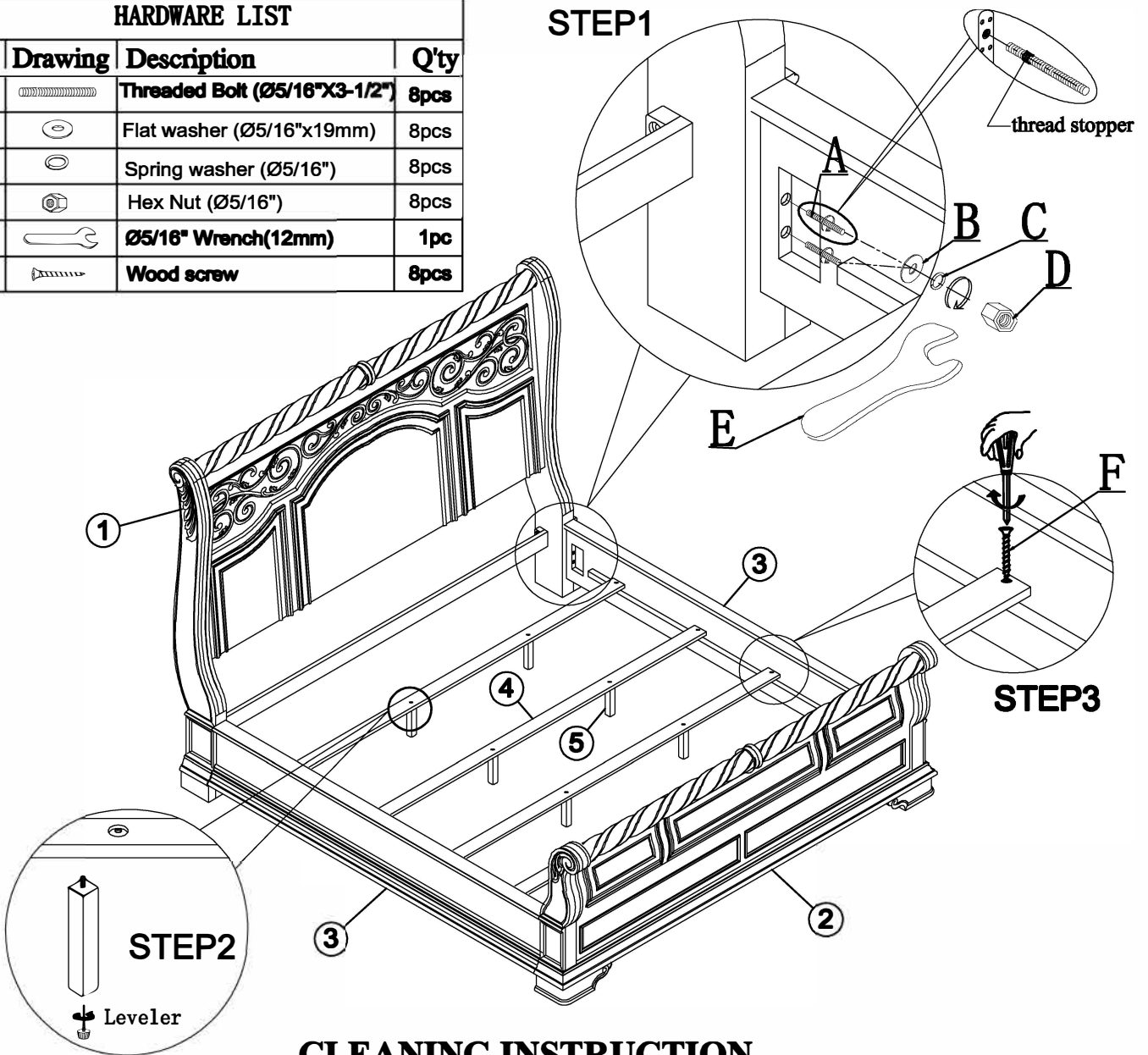
PART LIST

① 	② 	③ 	④ 	⑤ 
HEAD BOARD: 1PC	FOOT BOARD: 1PC	SIDE RAIL : 2PCS	SLATS : 4PCS	SUPPORT LEGS : 8PCS

HARDWARE LIST

NO.	Drawing	Description	Q'ty
A		Threaded Bolt (Ø5/16"x3-1/2")	8pcs
B		Flat washer (Ø5/16"x19mm)	8pcs
C		Spring washer (Ø5/16")	8pcs
D		Hex Nut (Ø5/16")	8pcs
E		Ø5/16" Wrench(12mm)	1pc
F		Wood screw	8pcs

STEP1



CLEANING INSTRUCTION

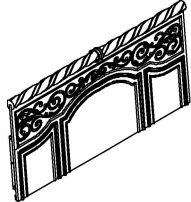
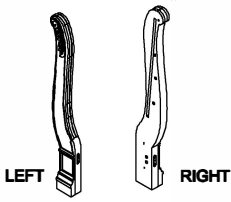
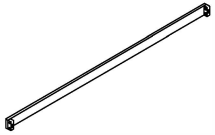
Clean the Bed surface with a furniture polish and a soft cloth.

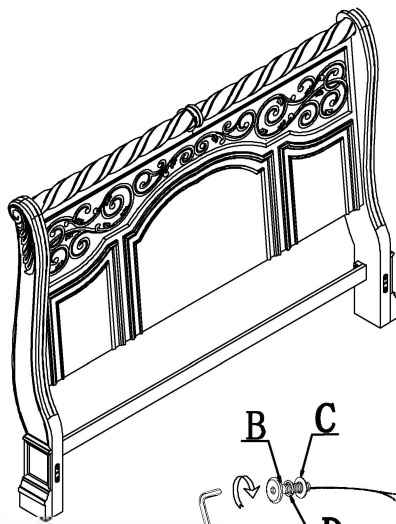
ASSEMBLY INSTRUCTION

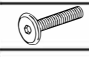
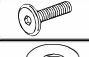



DESCRIPTION: QUEEN SLEIGH HEADBOARD

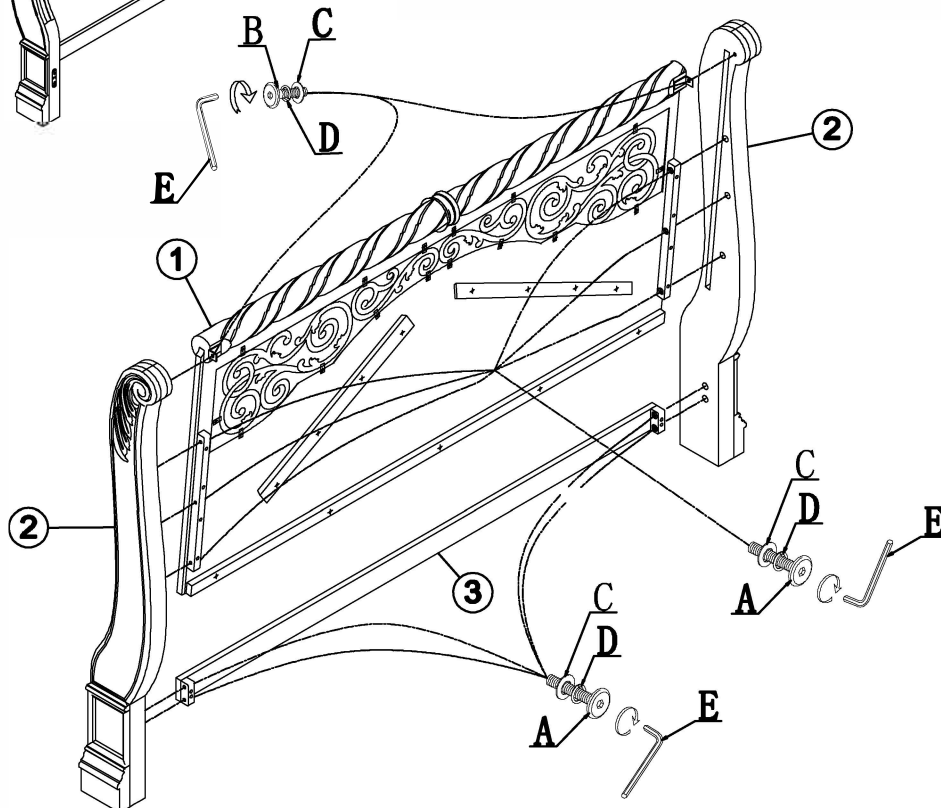
Thank you for purchasing this quality product. Be sure to check all packing material carefully for small parts which may have some loose inside the carton during shipment. Identify and count all parts and compare with the parts List Below:

PART LIST

 <p>①</p> <p>HEAD BOARD: 1PC</p>	 <p>②</p> <p>LEFT RIGHT</p> <p>POST : 2PCS</p>	 <p>③</p> <p>HEAD BOARD- SLAT : 1PC</p>
---	--	--



HARDWARE LIST			
NO.	Drawing	Description	Q'ty
A		Bolt (Φ5/16"×1-1/2")	10pcs
B		Bolt (Φ5/16"×1")	2pcs
C		Flat washer (Ø5/16"×19mm)	12pc
D		Spring washer (Ø5/16")	12pcs
E		Allen wrench (5mm)	1pc



CLEANING INSTRUCTION


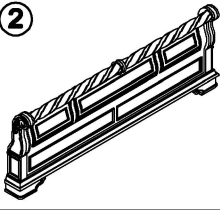
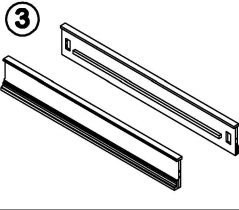
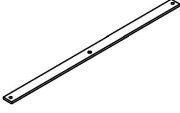

Clean the Headboard surface with a furniture polish and a soft cloth.

ASSEMBLY INSTRUCTION

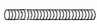




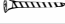
DESCRIPTION: QUEEN SLEIGH BED

Thank you for purchasing this quality product. Be sure to check all packing material carefully for small parts which may have some loose inside the carton during shipment. Identify and count all parts and compare with the parts List Below:

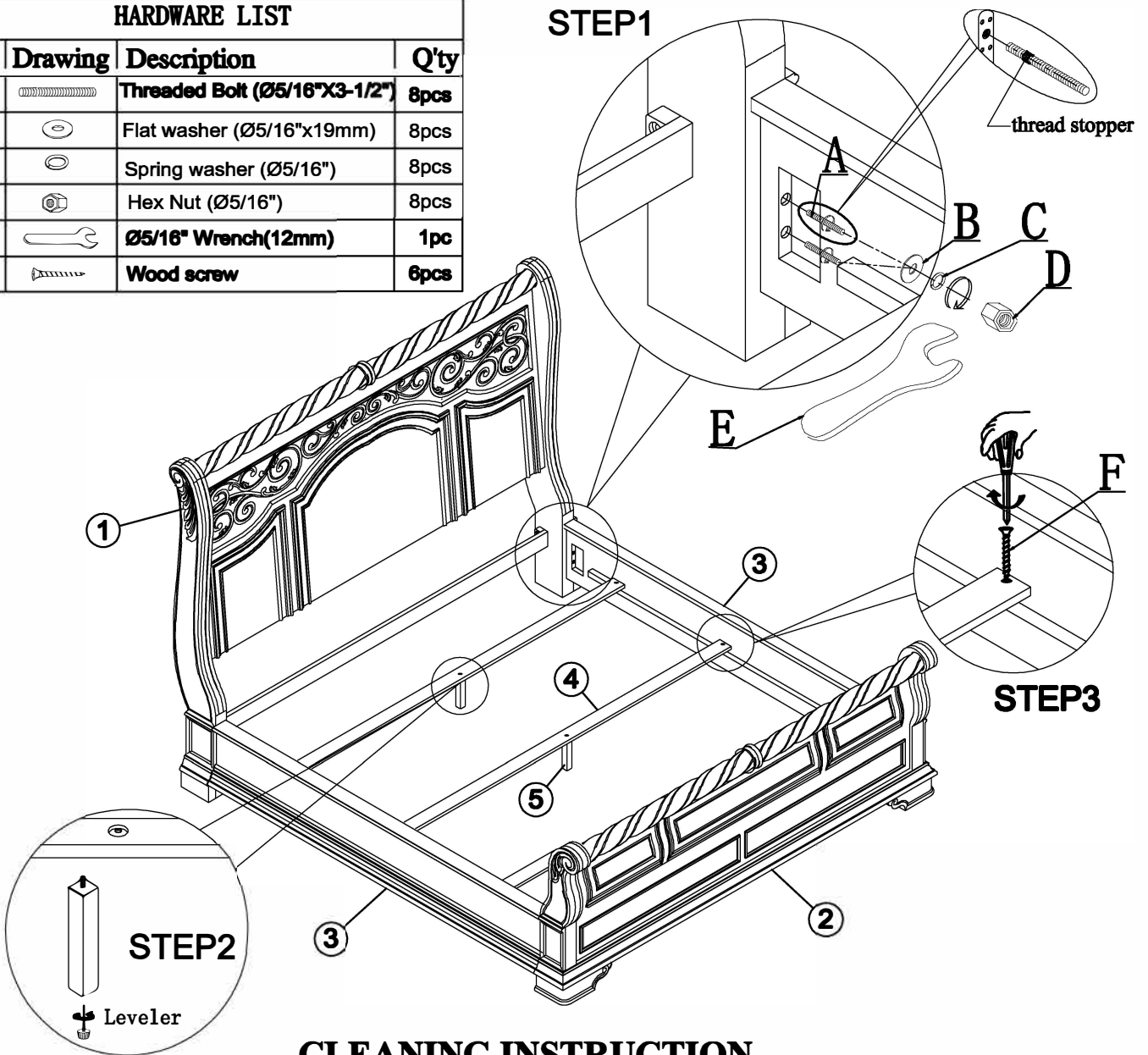
PART LIST

				
HEAD BOARD: 1PC	FOOT BOARD: 1PC	SIDE RAIL : 2PCS	SLATS : 3PCS	SUPPORT LEGS : 3PCS

HARDWARE LIST

NO.	Drawing	Description	Q'ty
A		Threaded Bolt (Ø5/16"x3-1/2")	8pcs
B		Flat washer (Ø5/16"x19mm)	8pcs
C		Spring washer (Ø5/16")	8pcs
D		Hex Nut (Ø5/16")	8pcs
E		Ø5/16" Wrench(12mm)	1pc
F		Wood screw	6pcs

STEP1



CLEANING INSTRUCTION

Clean the Bed surface with a furniture polish and a soft cloth.