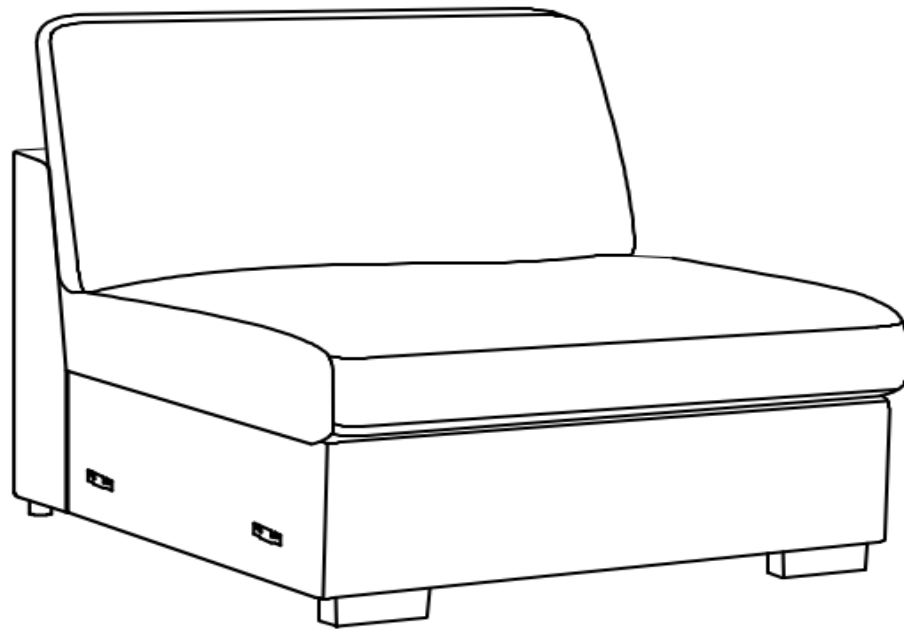
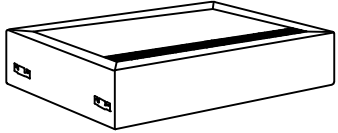

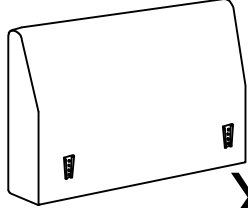
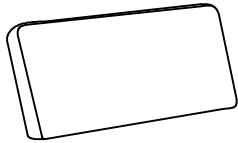
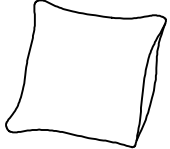
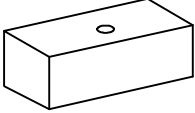

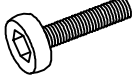

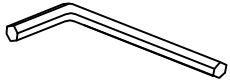


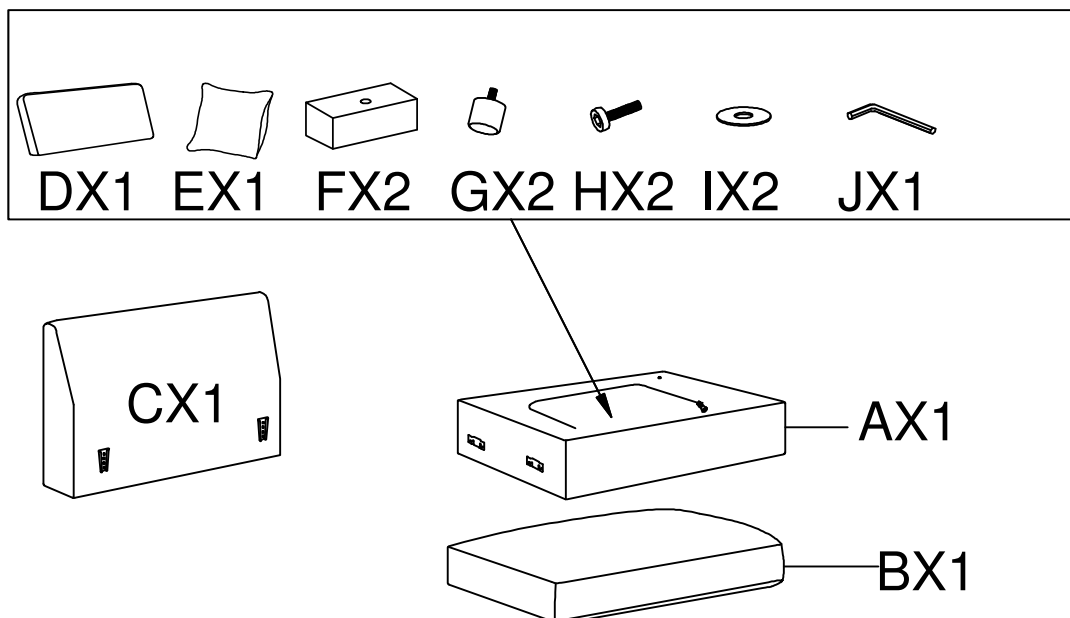
# ASSEMBLY INSTRUCTION



## PARTS LIST

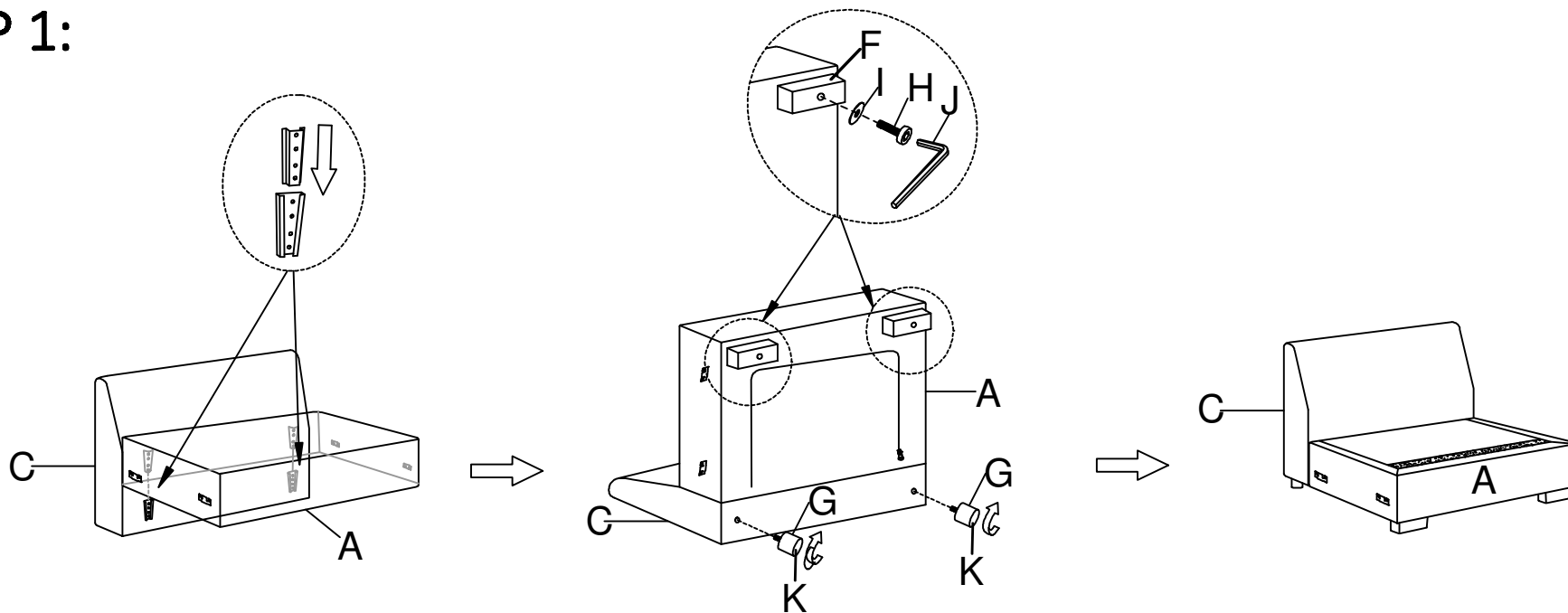
<b>A</b>  X1	<b>B</b>  X1	<b>C</b>  X1	<b>D</b>  X1	<b>E</b>  X1
<b>F</b>  X2	<b>G</b>  X2	<b>H</b>  X2	<b>I</b>  X2	<b>J</b>  X1

### Packing list:



Carton 3/8

**STEP 1:**



**STEP 2:**

