
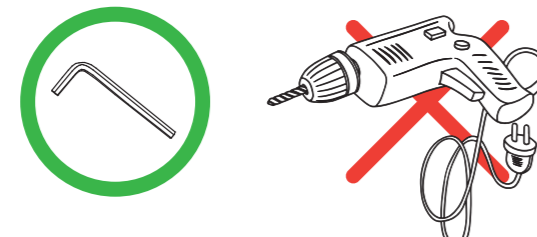


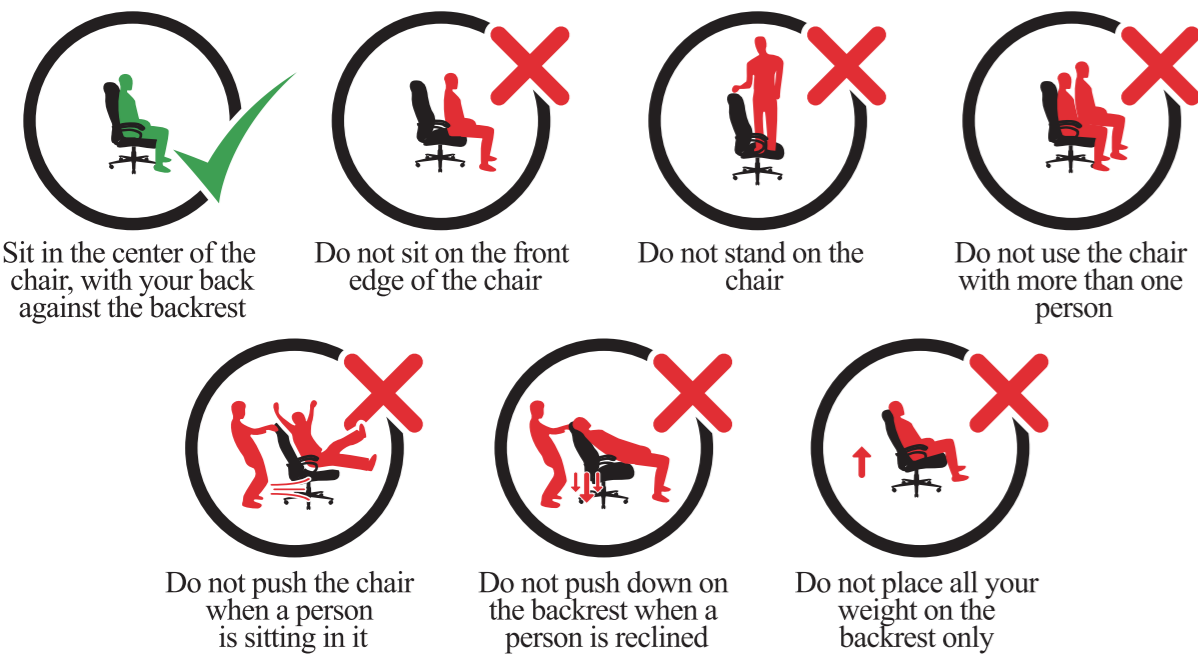
To deodorize the leather, leave the chair in a shady outdoor area for 1-2 days.



For longer use, re-tighten the bolts every 6 months by using the enclosed Allen key. \*Using an electric drill can damage the chair. Please re-tighten the bolts manually.



### Safety Information



Sit in the center of the chair, with your back against the backrest

Do not sit on the front edge of the chair

Do not stand on the chair

Do not use the chair with more than one person

Do not push the chair when a person is sitting in it

Do not push down on the backrest when a person is reclined

Do not place all your weight on the backrest only

### INSTRUCTION MANUAL

Model: C-6002

HJ-Customer-Service@outlook.com  
 (909)637-7665 | (909)637-7593

## INSTRUCTION MANUAL

# C-6002

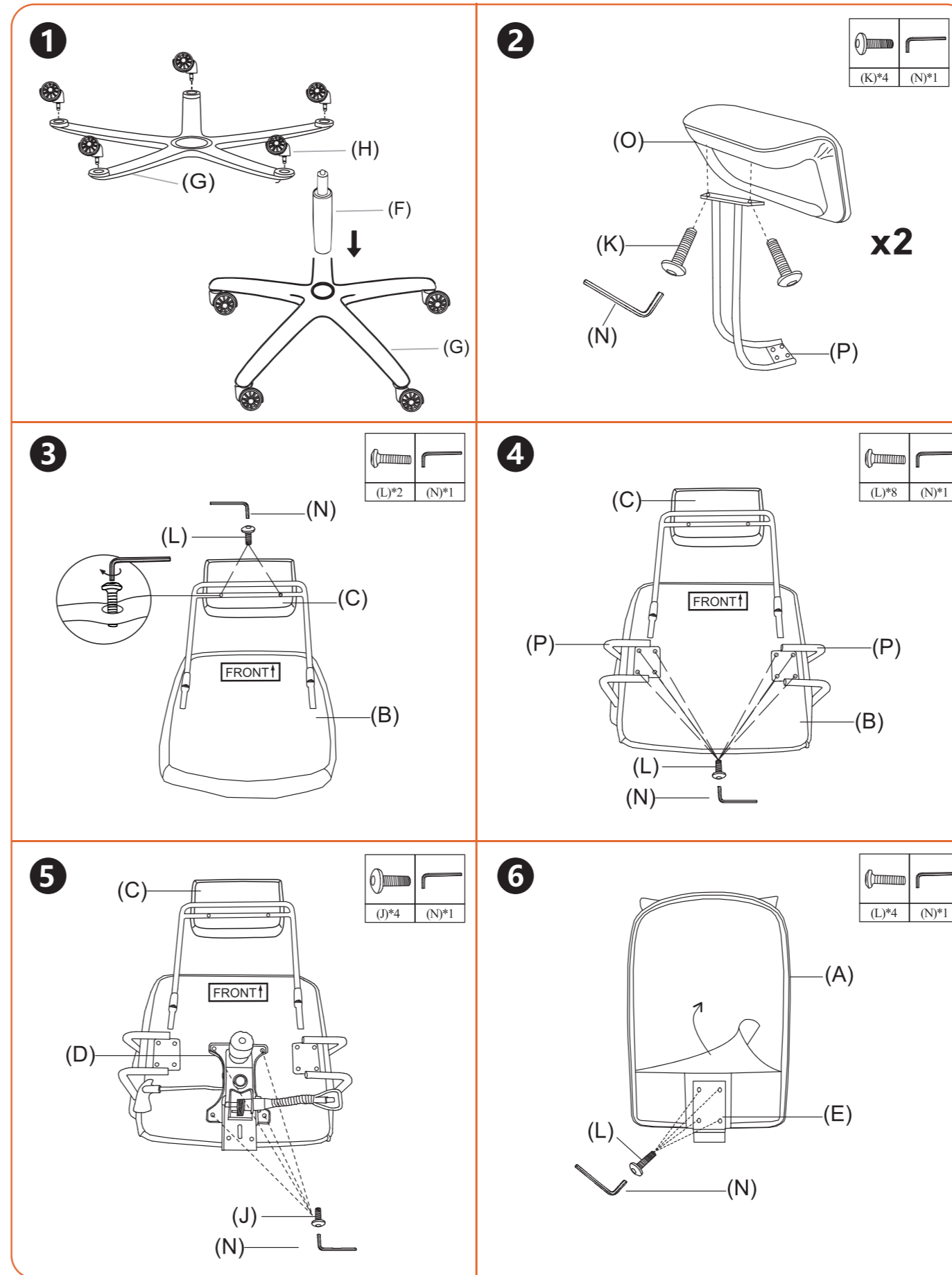


HJ-Customer-Service@outlook.com  
 (909)637-7665 | (909)637-7593  
 EST 9:00AM--17:00PM

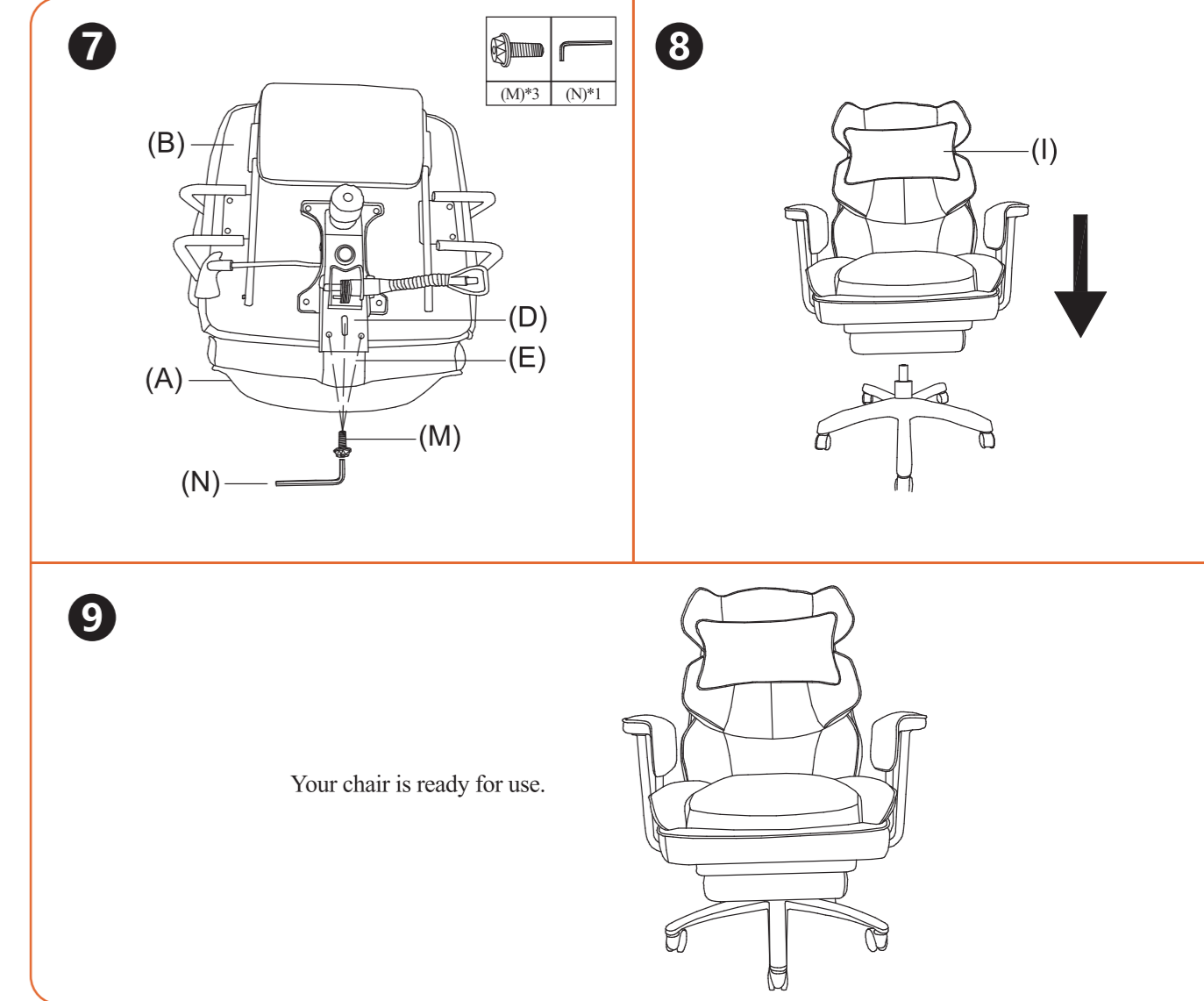
### Package List

|                |       |       |                |                |                 |
|----------------|-------|-------|----------------|----------------|-----------------|
| (A)*1          | (B)*1 | (C)*1 | (D)*1          | (E)*1          | (F)*1           |
| (G)*1          | (H)*5 | (I)*1 | (J)*4<br>M6*20 | (K)*4<br>M6*25 | (L)*14<br>M6*30 |
| (M)*3<br>M8*20 | (N)*1 | (O)*2 | (P)*2          |                |                 |

### Assembly Instruction

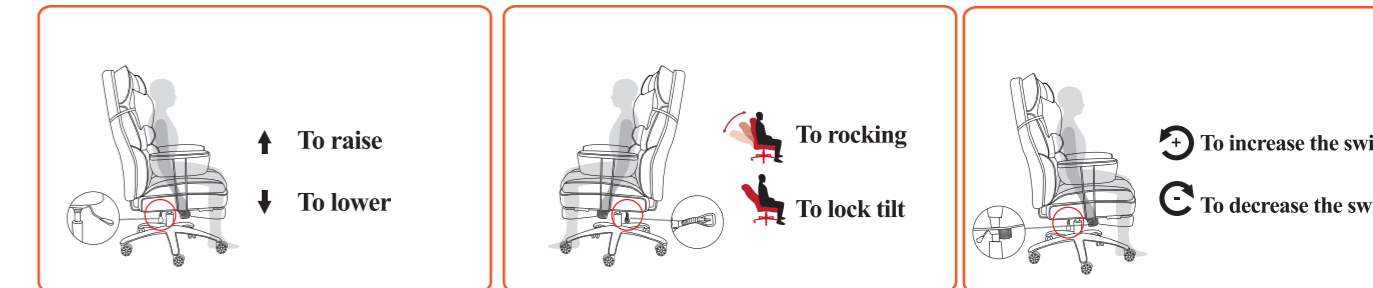


### Assembly Instruction



Your chair is ready for use.

### Instructions For Use



**CAUTION:**  
 \* Before using the chair, check to ensure that all bolts are fully tightened and lubricate all parts, tightening all bolts every 6 months or whenever needed.