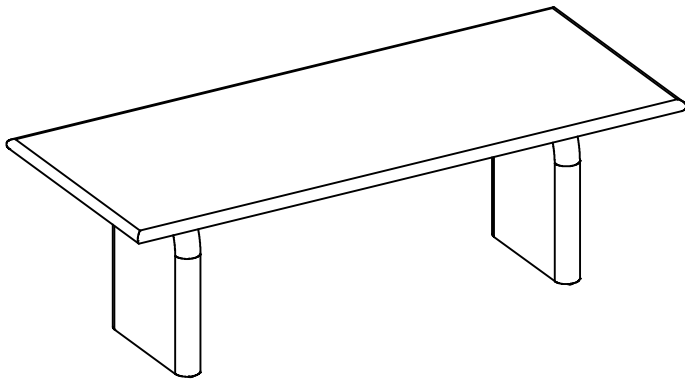
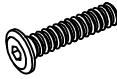


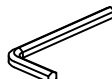


# ASSEMBLY INSTRUCTION FOR MODEL: DINNING TABLE



HARDWARE LIST			
A		BOLT M8 x 40	12
B		FLAT WASHER	12
C		SPRING WASHER	12
D		ALLEN KEY M4	1

