

# 14" METAL BED FRAME



## **This instruction booklet contains important safety information. Please read and keep for future reference.**

Thank you for purchasing this frame. We want to make sure it is completely to your satisfaction. Please check all packing materials carefully and ensure they are present. If any parts are missing or defective, please contact our customer service. If you feel that the item is too defective for the issues to be resolved with replacement parts, please return this product, along with your receipt, to the place of purchase. Photos and additional information may be requested to validate your claim. Thank you!

### **Important Note**

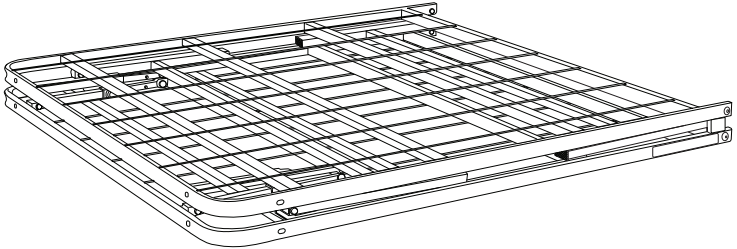
Please carefully take all of the parts out of the box and lay them on a flat surface to verify that you have all of the parts.

### **⚠️ WARNING**

**Please handle with care! The maximum total weight capacity is 1,200lbs. for Twin and TwinXL and 2,400 lbs. for Full/Queen/King/Cal King and it may not be exceeded. Exceeding the loading weight capacity may result in collapse and possible injury.**

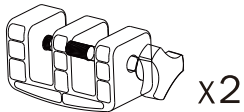


(A)



Twin TwinXL X1  
Full, Queen, King and Cal King X2

(B)



\*Only available for Full, Queen, King and Cal King\*

1

Unfold (A)

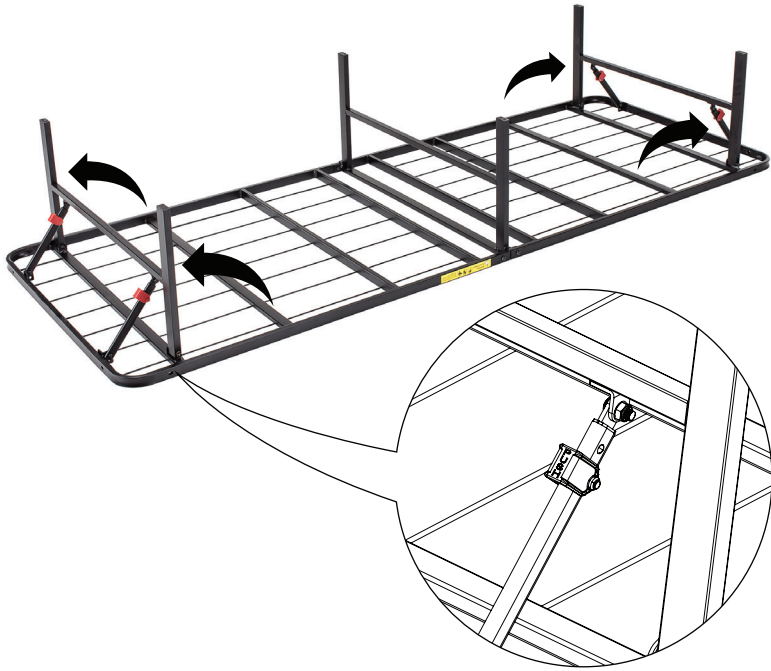
\*Caution: Be careful of pinch point\*



x2

\*Twin has only one base\*

**2** Unfold the legs until you hear a click  
Push to fold



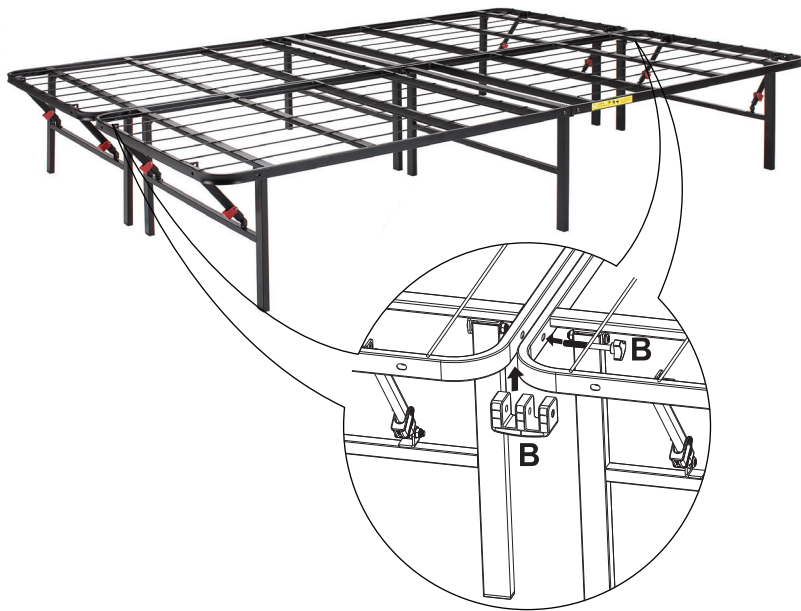
# 3

Flip frame upright



# 4

Connect frames with Plastic bolt (B)



\*Not required for Twin and Twin XL\*

\*To disassemble and store, reverse all previous steps\*