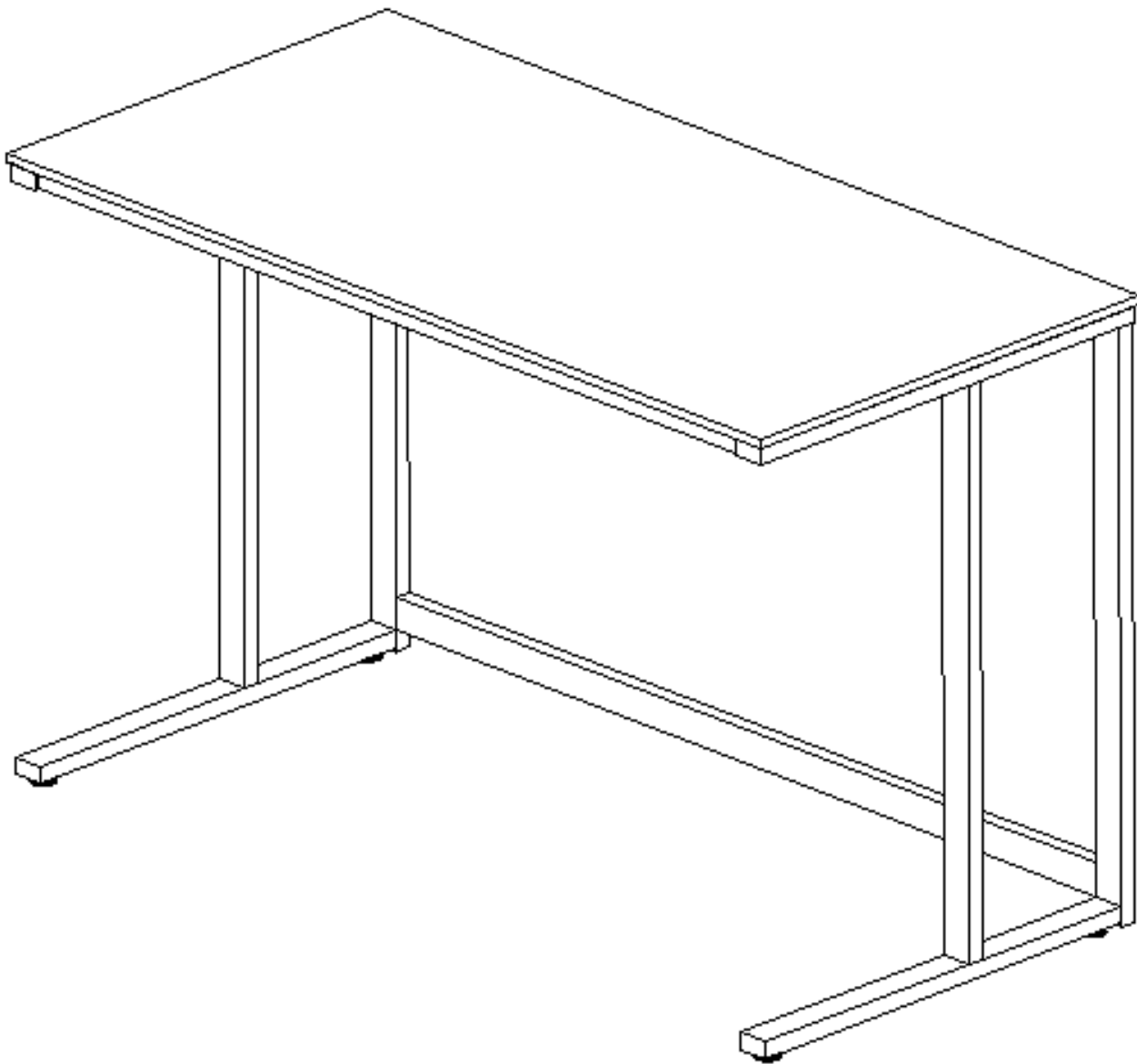


# Assembly Instructions

**Caution : You must read this before you proceed**

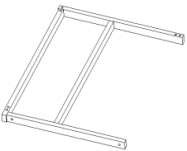
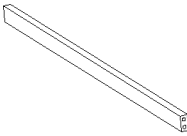
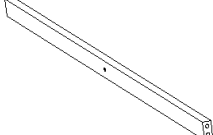
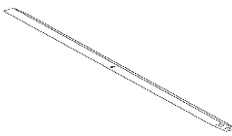
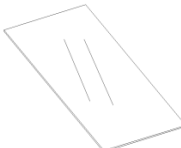
## Table







**Thank You for purchasing one of our products, please carefully read through the instructions below.**

**Caution: The Table Top and other parts are heavy.  
Two adults are required whenever lifting or moving them.**

# Parts List

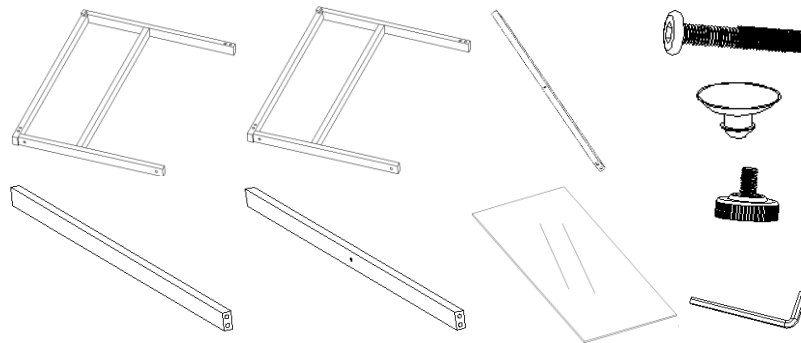
Label	Picture	Description	QTY
A		Metal Leg	2
B		Bottom Rail	1
C		Upper Front Rail	1
D		Upper Back Rail	1
E		Table Top	1






# Hardware

Label	Picture	Description	QTY
①		Bolt (M6X55)	13
②		Sucker	7
③		Leveller	5
④		Allen Key	1

# Assembly Preparation

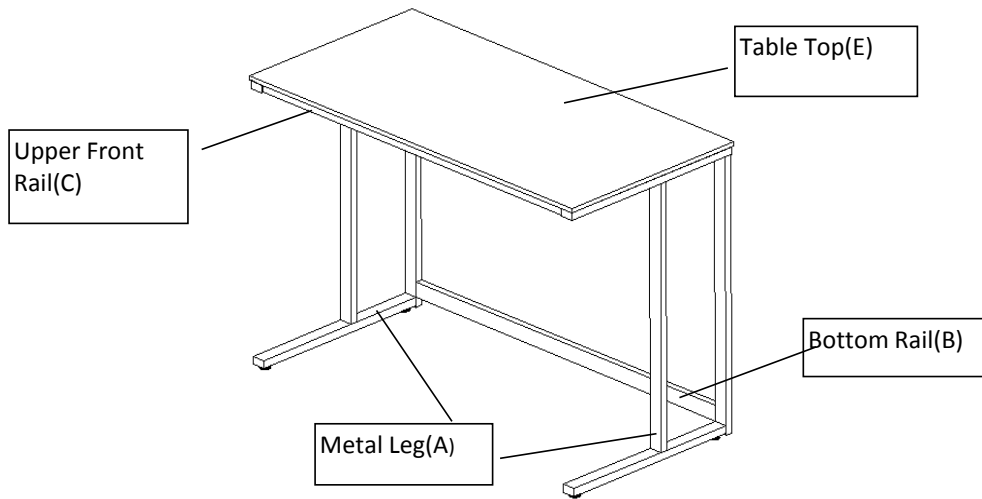
Before Beginning Assembly:



-  • Read instructions, cover to cover-
-  • Have 2 adults on hand for assembly-
-  • Do not assemble on flooring or carpet-
-  • Assemble on a clean non-marring surface (packing foam)-
-  • Save all packaging until finished-

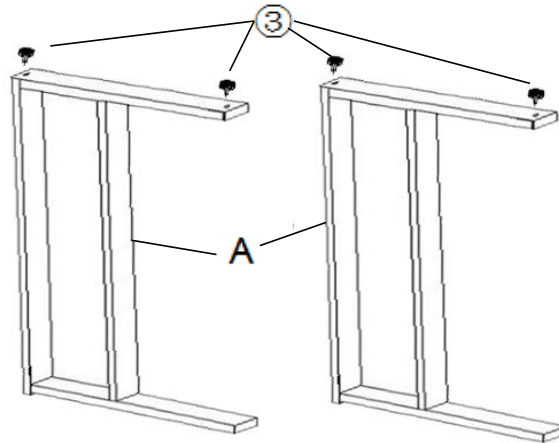
# Assembly Steps

## Overview



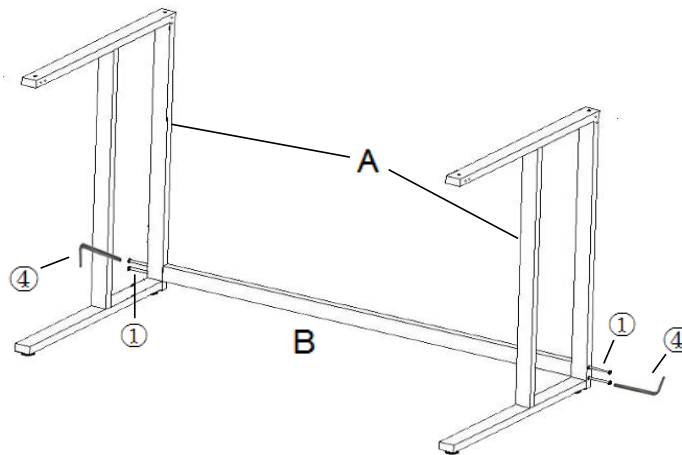
This Table has multiple parts and may require up to half 60 minutes to assemble. To give you an overview of the Table parts, the above picture is to help you put the various parts into perspective. Please read through the instructions below to familiarise yourself with the parts and steps before assembly.

## Step 1



Turn the Metal Legs(A) upside down, and screw-in the Leveller(3) to the mounting positions on the bottom of the Metal Legs(A) by hand.

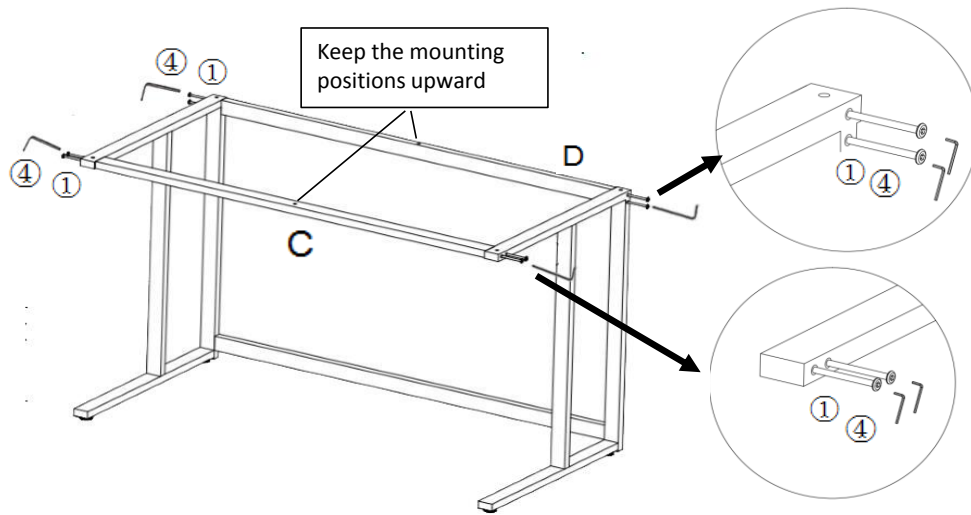
## Step 2



Turn the Metal Legs(A) one side down, attach the Bottom Rail(B) between the Metal Legs(A) using Bolts(1) with Allen Key(4).

**Do not tighten any Bolts until all are in place.**

### Step 3



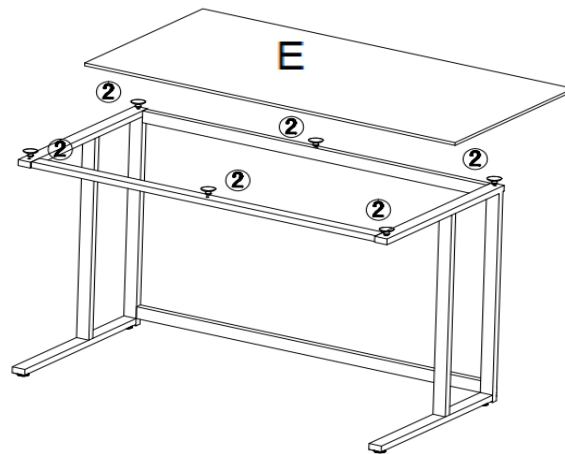
3.1) Attach the Upper Front Rail(C) between the Metal Legs(A) using Bolts(1) with Allen Key(4).

3.2) Attach the Upper Back Rail(D) between the Metal Legs(A) using Bolts(1) with Allen Key(4).

**Do not tighten any Bolts until all are in place.**

**The mounting positions on the Upper Front Rail(C) and Upper Back Rail(D) must be facing upward.**

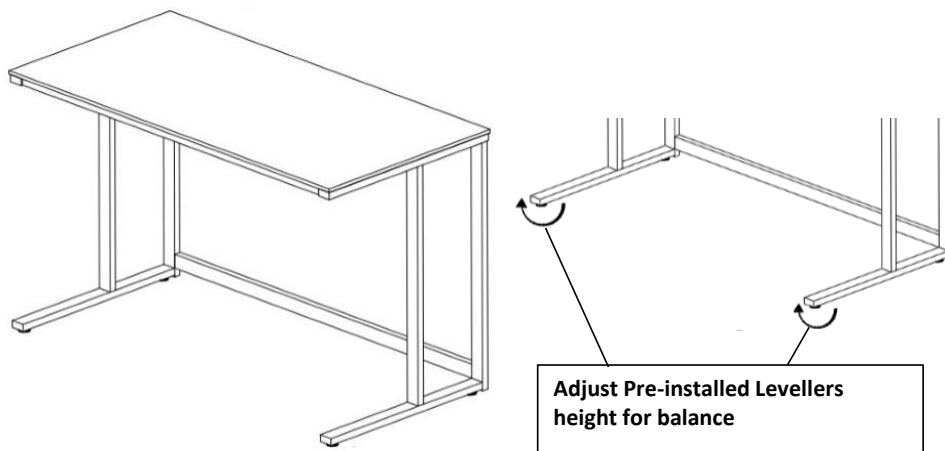
### Step 4



Insert Suckers(2) into mounting positions of assembled Table Frame.

**With the assistance of your Adult helper**, Carefully and gently place Table Top(E) onto assembled Table Frame.

### Step 5























Inspect and make sure all parts are in place and all Bolts are securely tightened.

Your Table is ready for use.

If it wobbles, with assistance from your adult partners, adjust the Levellers to achieve balance.

**This Table can only be used on a flat, level surface.**

## Care & Maintenance

-   • Do not put hot items directly on furniture surface
  -   • Do not clean furniture with harsh cleansers or polish.
  -   • Do not place furniture under direct sunlight.
  -   • Do not place furniture near heating or cooling vents.
  -   • Do not write on furniture without a padded barrier to protect the surface.
  -   • Do not place furniture outside . For indoor use only .
  -   • Not for commercial use. For residential use only .
  -   • Stains may be removed with mild soap solution and damp cloth.
  -   • Children should not climb or jump on the furniture.
- 
-   • Dust and pick-up spills using a clean, non-colored, lint-free cloth .

### What is Proposition 65?

Proposition 65 is a California law that requires warning labels on products that may contain one of more than 800-plus chemicals or ingredients that the California Office of Environmental Health Hazard Assessment (OEHHA) has deemed to cause cancer or other reproductive toxicity. Chemicals and elements on this list include wood dust, brass, and other everyday substances, which can be found in very common household items, such as: lamps, tableware, jewelry, crystal glasses, electric cords, beauty products, automobiles, and furniture.

### Why Did I Find a Proposition 65 Warning on My Home Goods Product?

We include Proposition 65 warnings on all of our products because there is always a chance that one of the 800-plus common chemicals and ingredients listed under this law could potentially be on our furniture or packing materials. We risk large fines under this law, if we don't include this warning.

### Should I worry?

We realize you may be worried finding this warning on our products, but we want to reassure you that the hazardous exposure limits for any of these chemicals have never been found on furniture products that we've shipped to our customers. Additionally, this warning label is very common and can be found on almost every piece of furniture sold in the state of California.

### Just How Common Are Proposition 65 Warnings?

Proposition 65 warnings have become so common in California that it is hard to take a trip to a local bank, grocery store, or restaurant without finding at least one warning. In fact, even the Disney Land Resort has a Proposition 65 warning:

