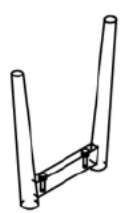
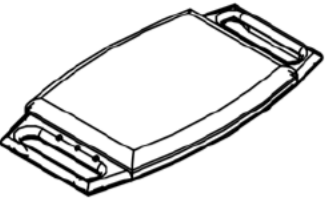
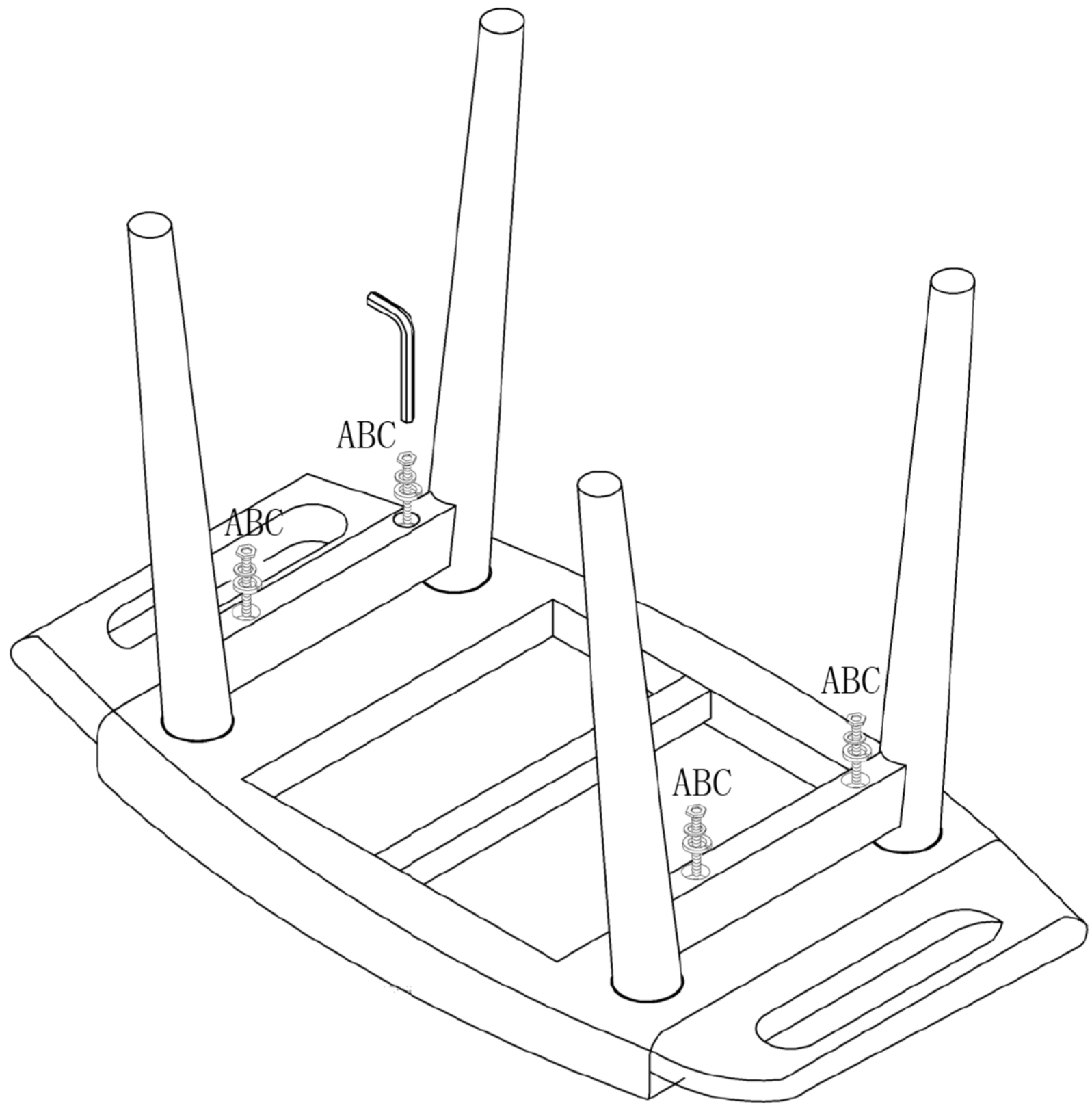





-Installation

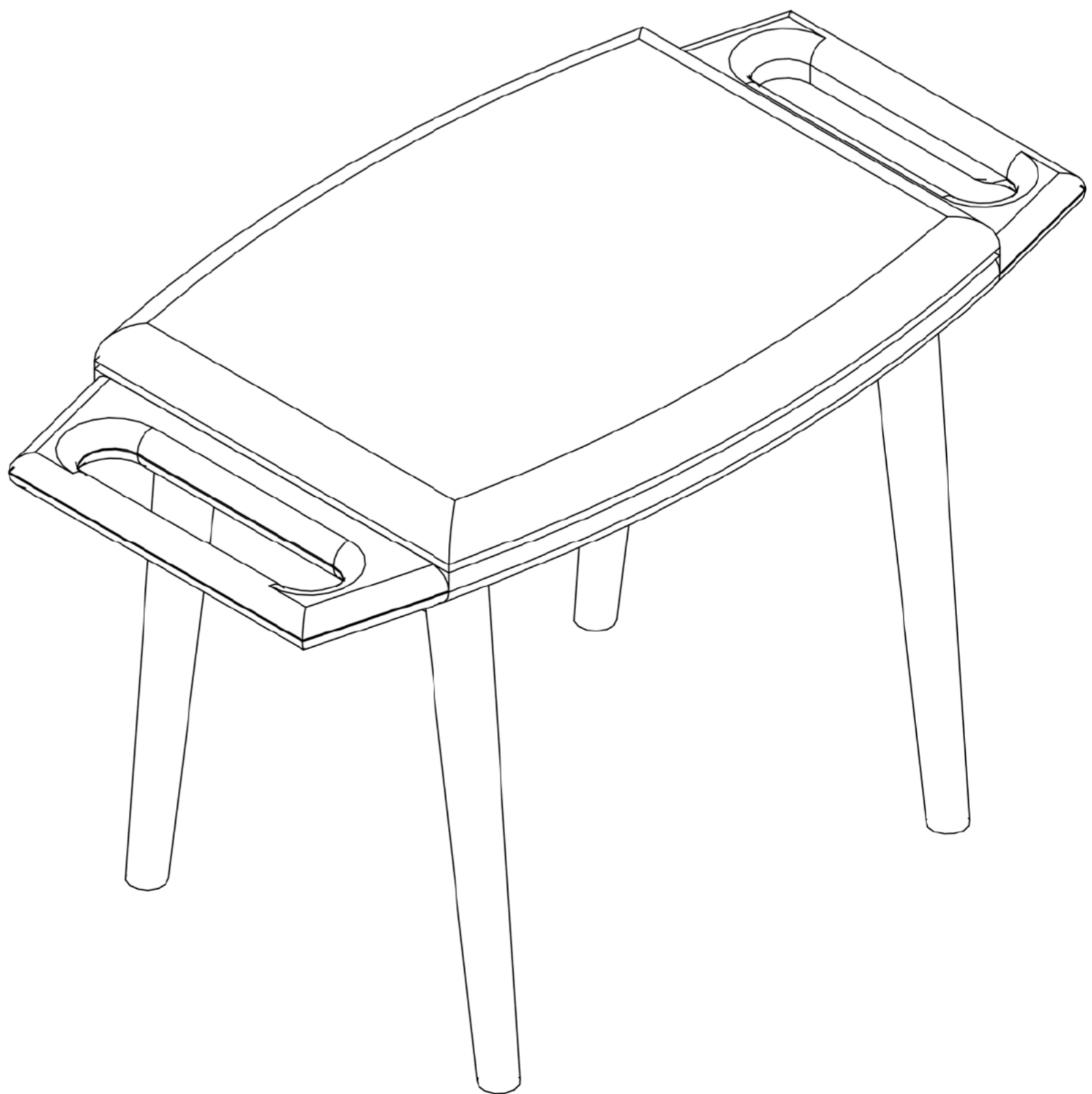
NO.	Parts	Quantity
①		2
②		1

STEP 1

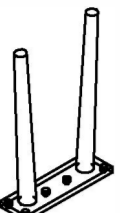
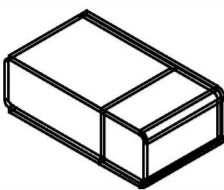


STEP 2

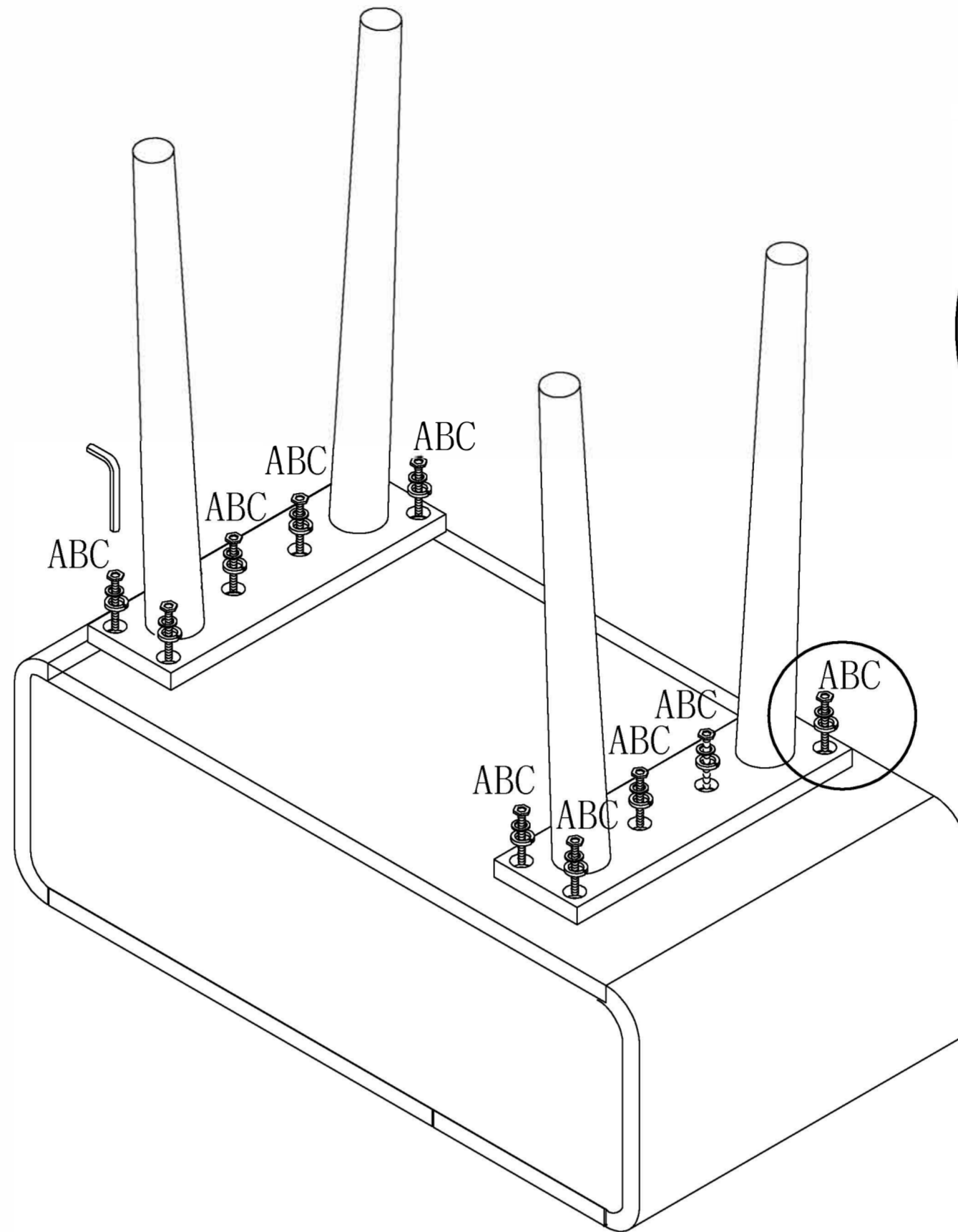
NO.	Parts	Quantity
A		M8*50=4
B		M8=4
C		M8=4






-Installation

NO.	Parts	Quantity
①		2
②		1

STEP 1



STEP 2

NO.	Parts	Quantity
A		M8*25=12
B		M8=12
C		M8=12

