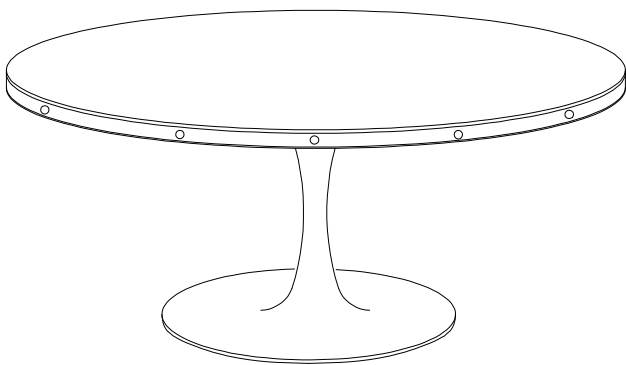


COFFEE TABLE




Thank you for purchasing this **COFFEE TABLE** !

Before you start, here is some helpful advice:

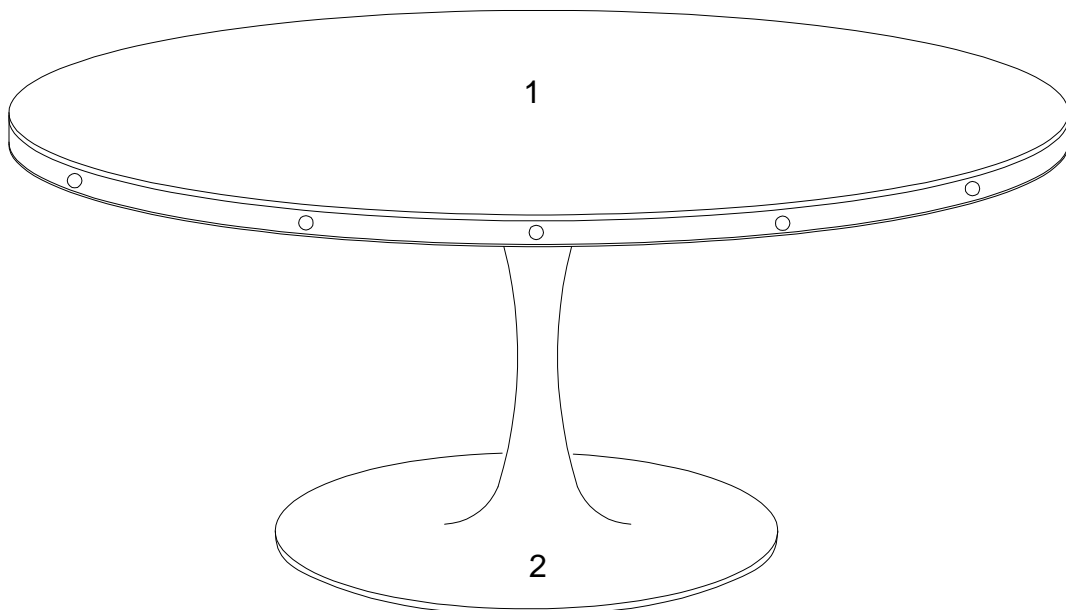
1. We suggest you spend a short time reading through this leaflet and then follow the simple step by step instructions.
 2. Owing to the size and weight of the table, we recommend that it is assembled by two adults, on a carpeted or padded area, in the room that it is intended for. Approximate assembly time: 15 minutes.
 3. Please do not use any tools other than those provided or recommended in these instructions.
 4. Please do not throw away any of the packaging or instructions until you have checked all the components and hardware and the furniture is fully assembled.
 5. Assemble all components loosely until advised to tighten. Depending on use, it may be necessary to tighten the components from time to time, so please save the tools that have been provided.
 6. Please keep all pieces out of reach of small children.
-



Hardware:

A		Bolt	x4
B		Flat Washer	x4
C		Allen Wrench	x1

Component:



1 Table Top x1

2 Table Base x1

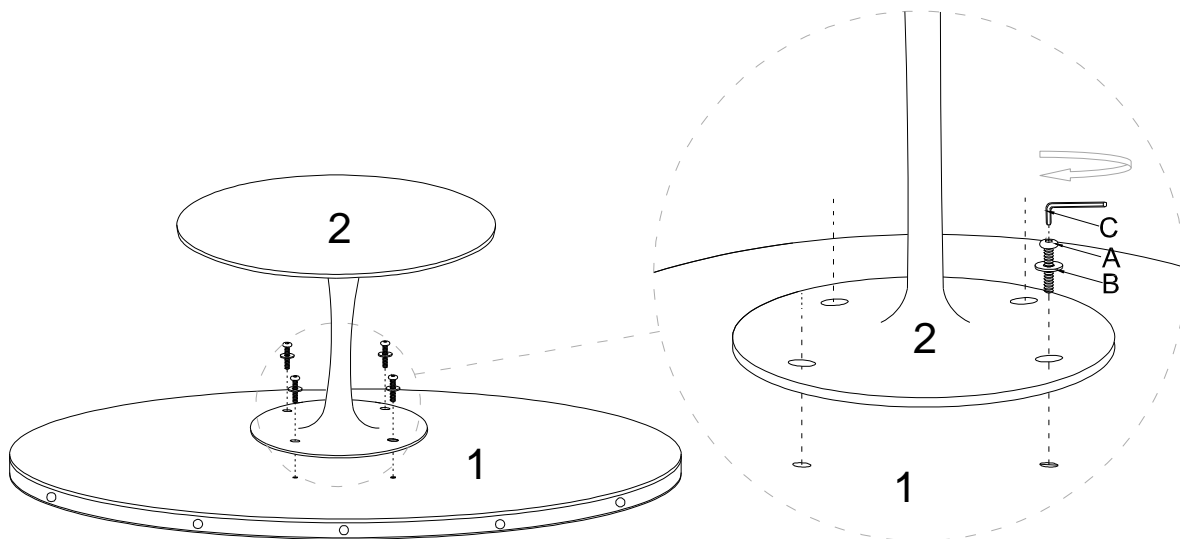
COFFEE TABLE




STEP 1:

Please put the **Table Top (1)** upside down on a carpeted or padded surface.

Attach **Table Base (2)** into the bottom of **Top (1)** by using **Bolts (A)** and **Flat Washers (B)** as shown.

Use **Allen Wrench (C)** to tighten the **Bolts (A)** clockwise until secure.

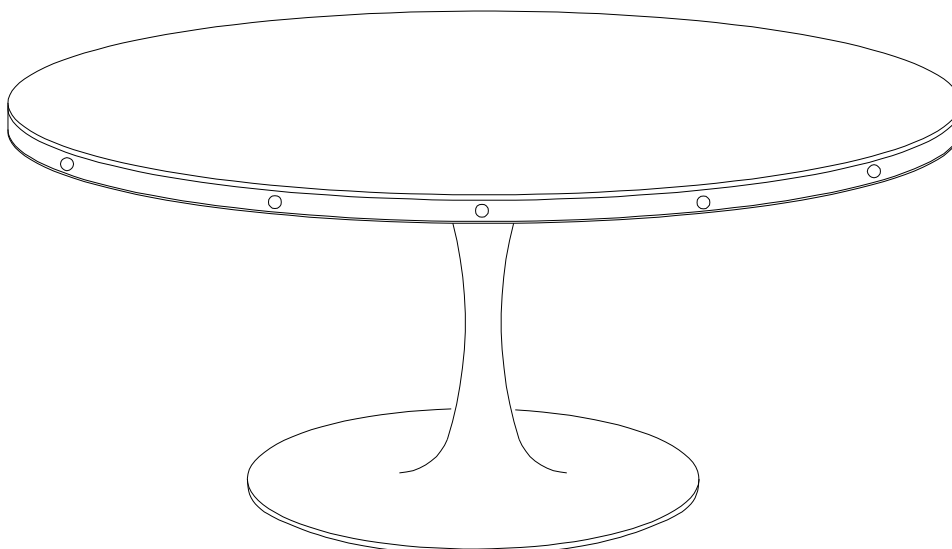


		
Ax4	Bx4	Cx1

Hardware & Tool required

STEP 2:

Carefully turn over the coffee table.



Assembly is completed. The coffee table is ready to enjoy now!
