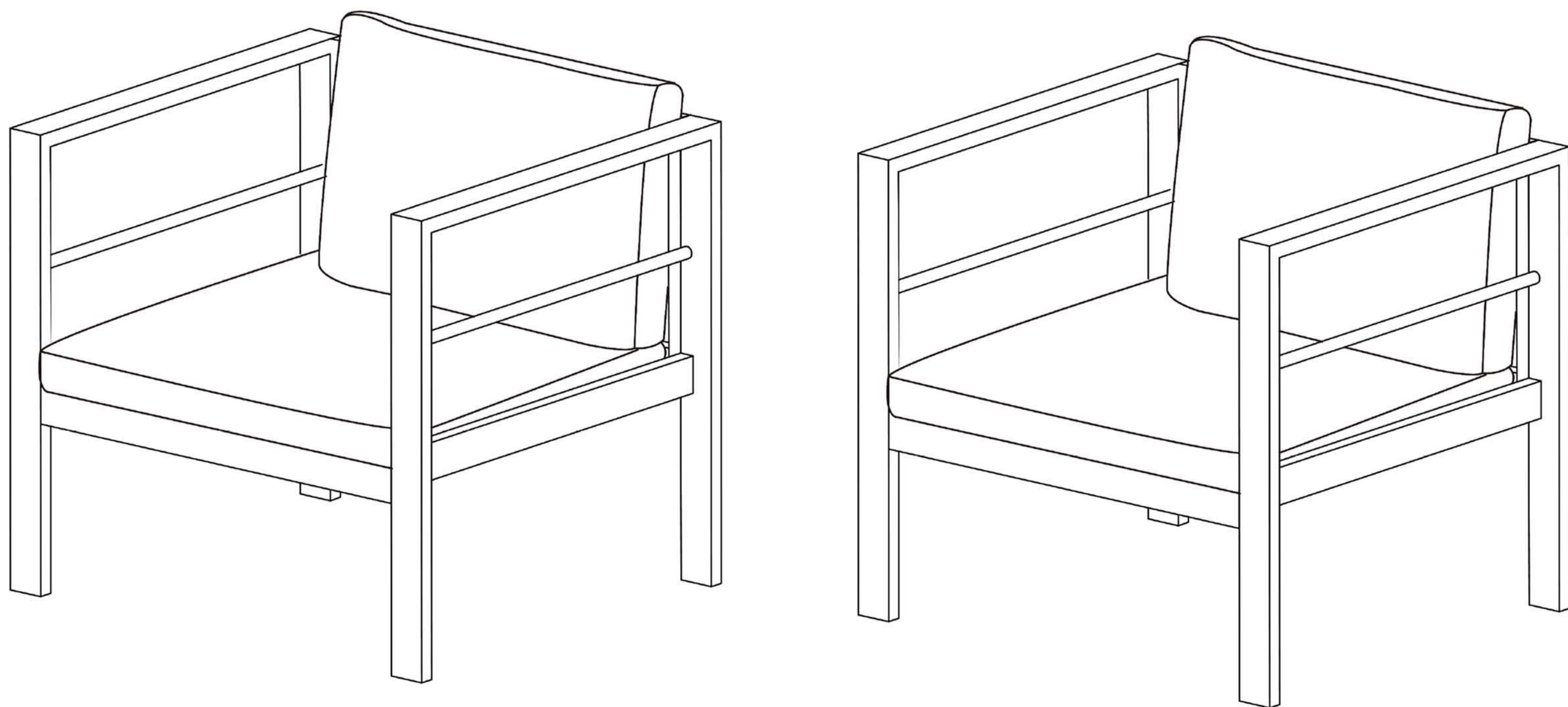


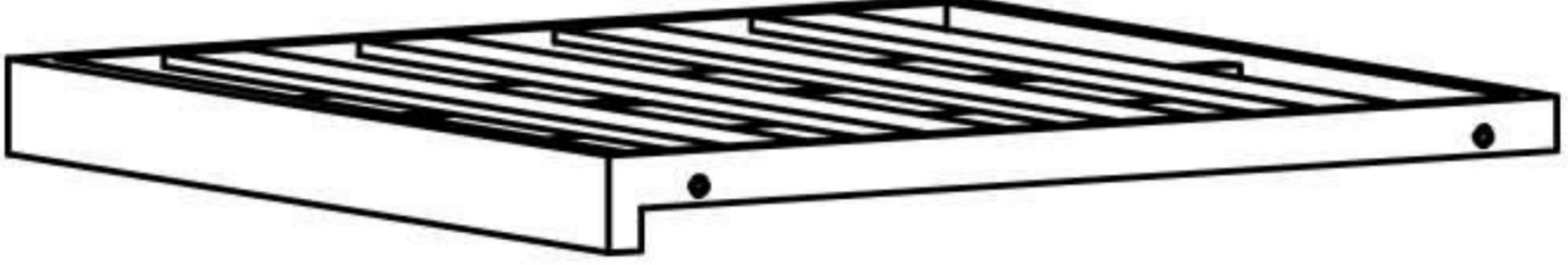
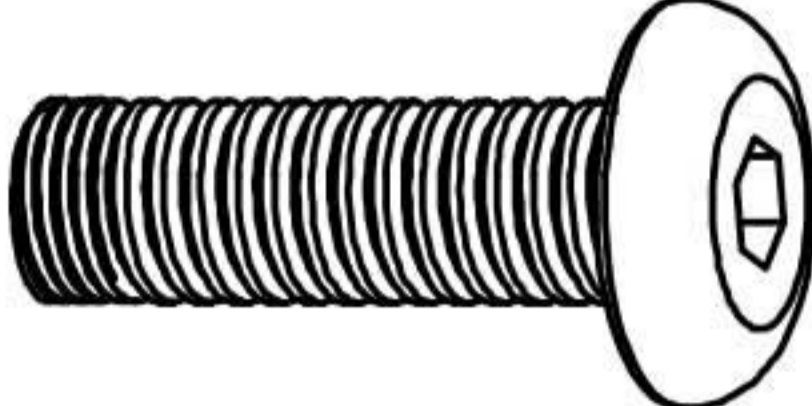
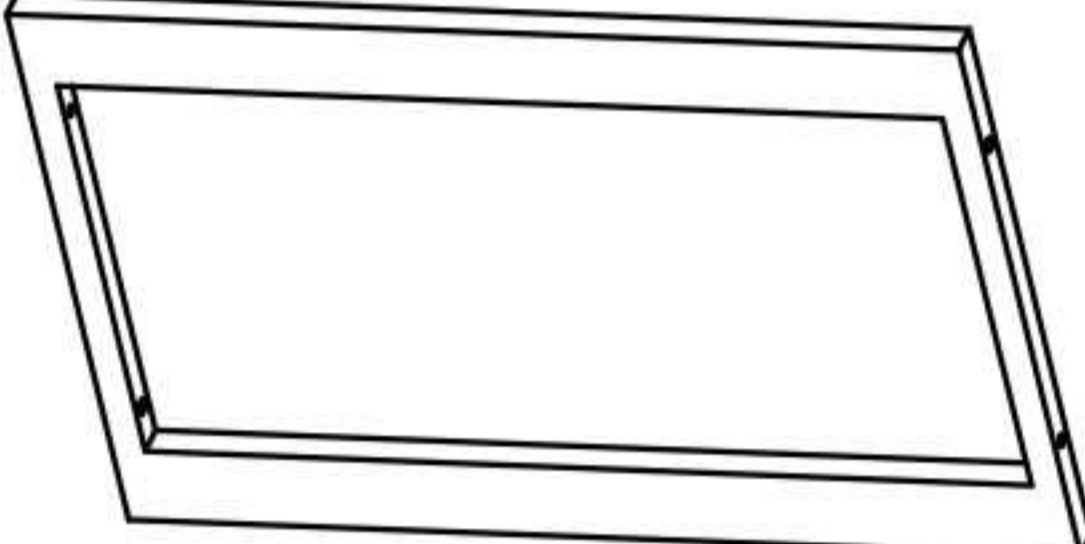
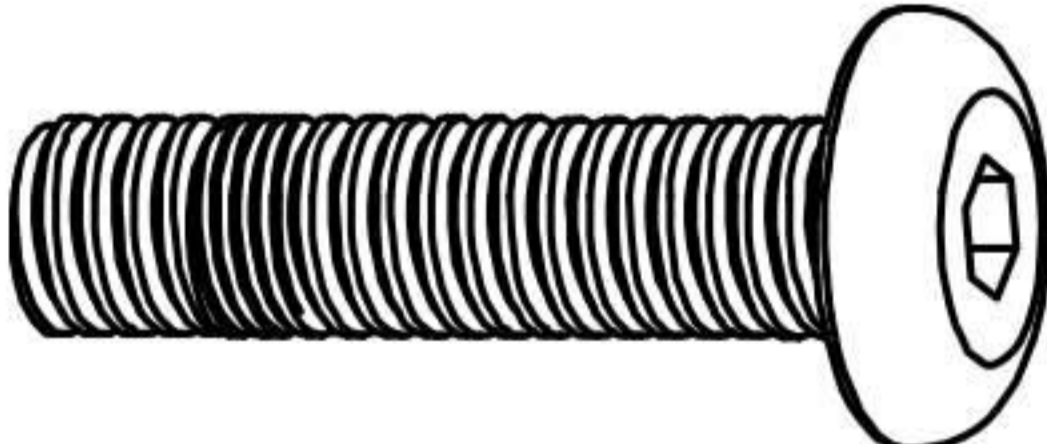
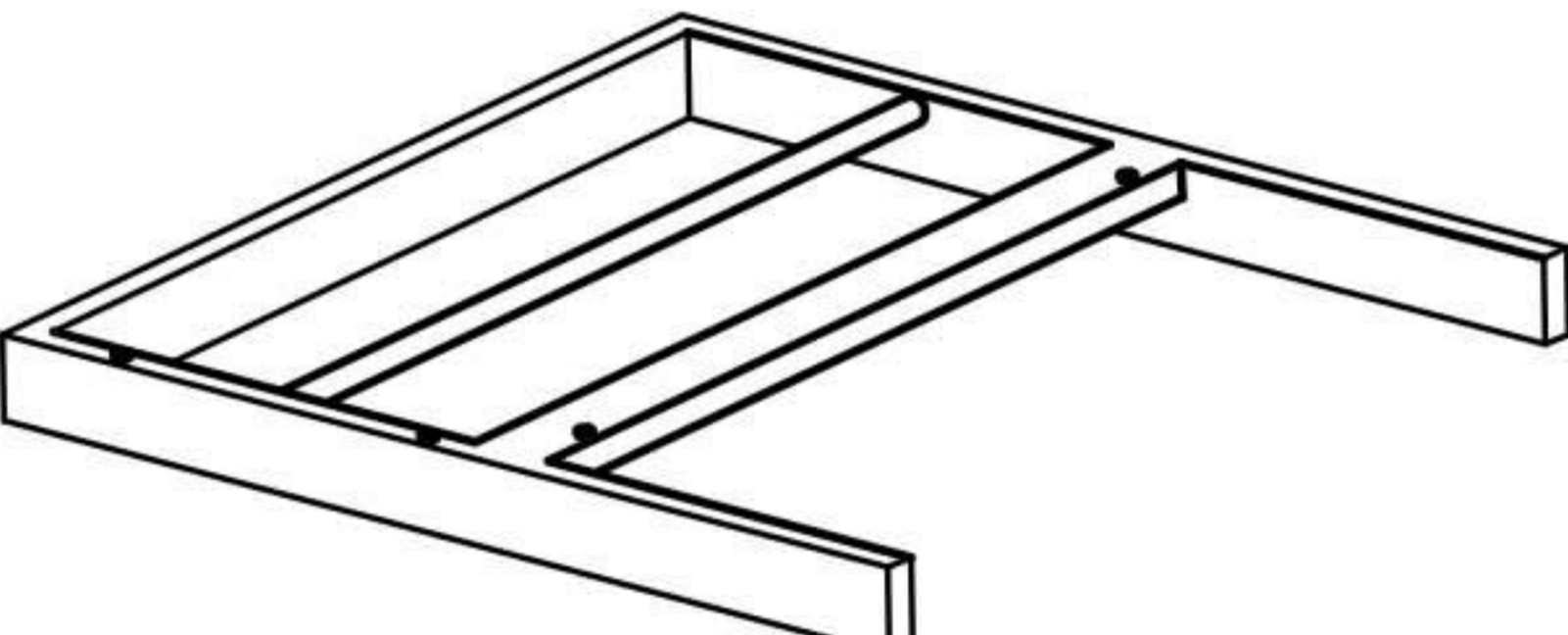
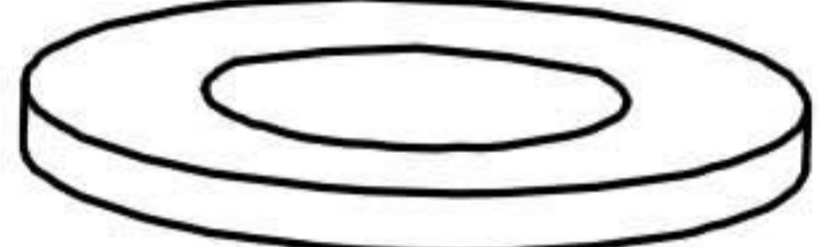
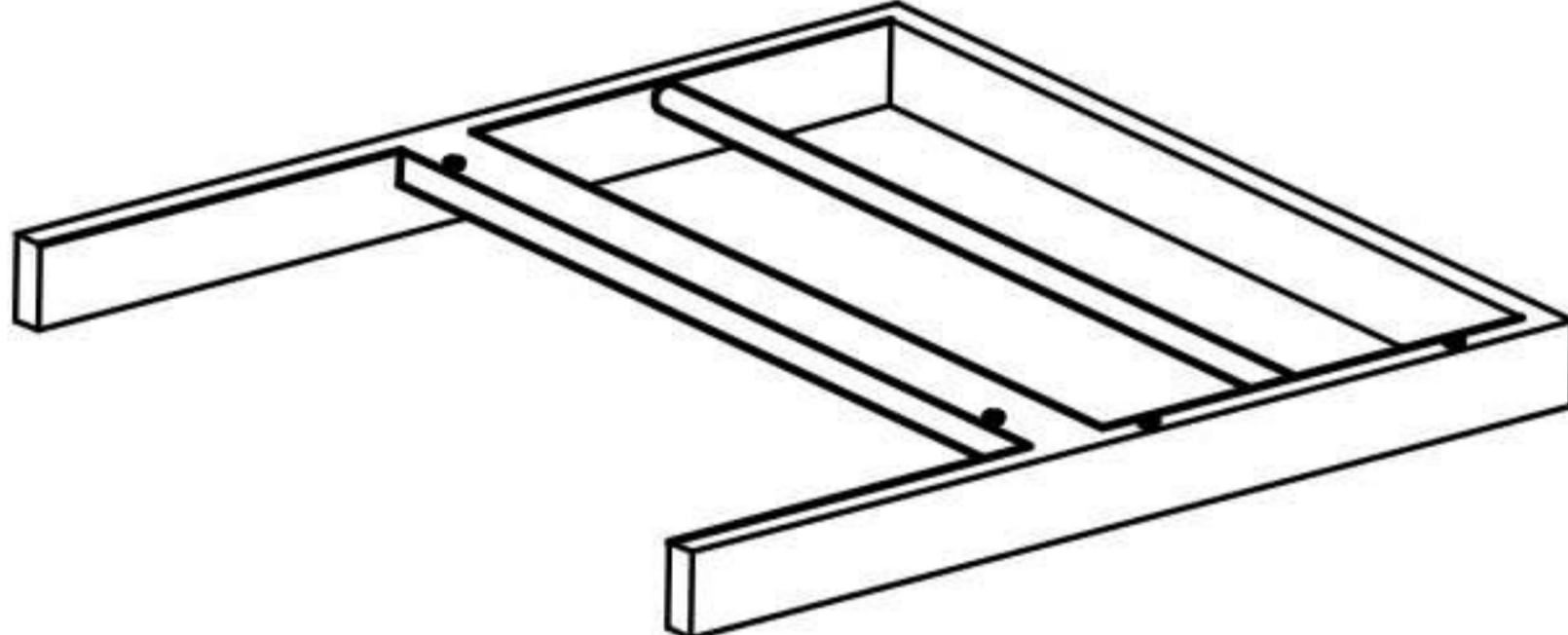
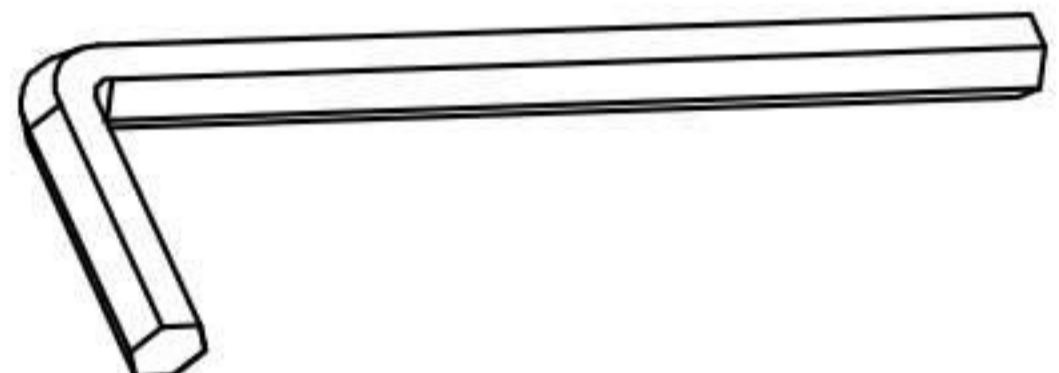
Furniture Set

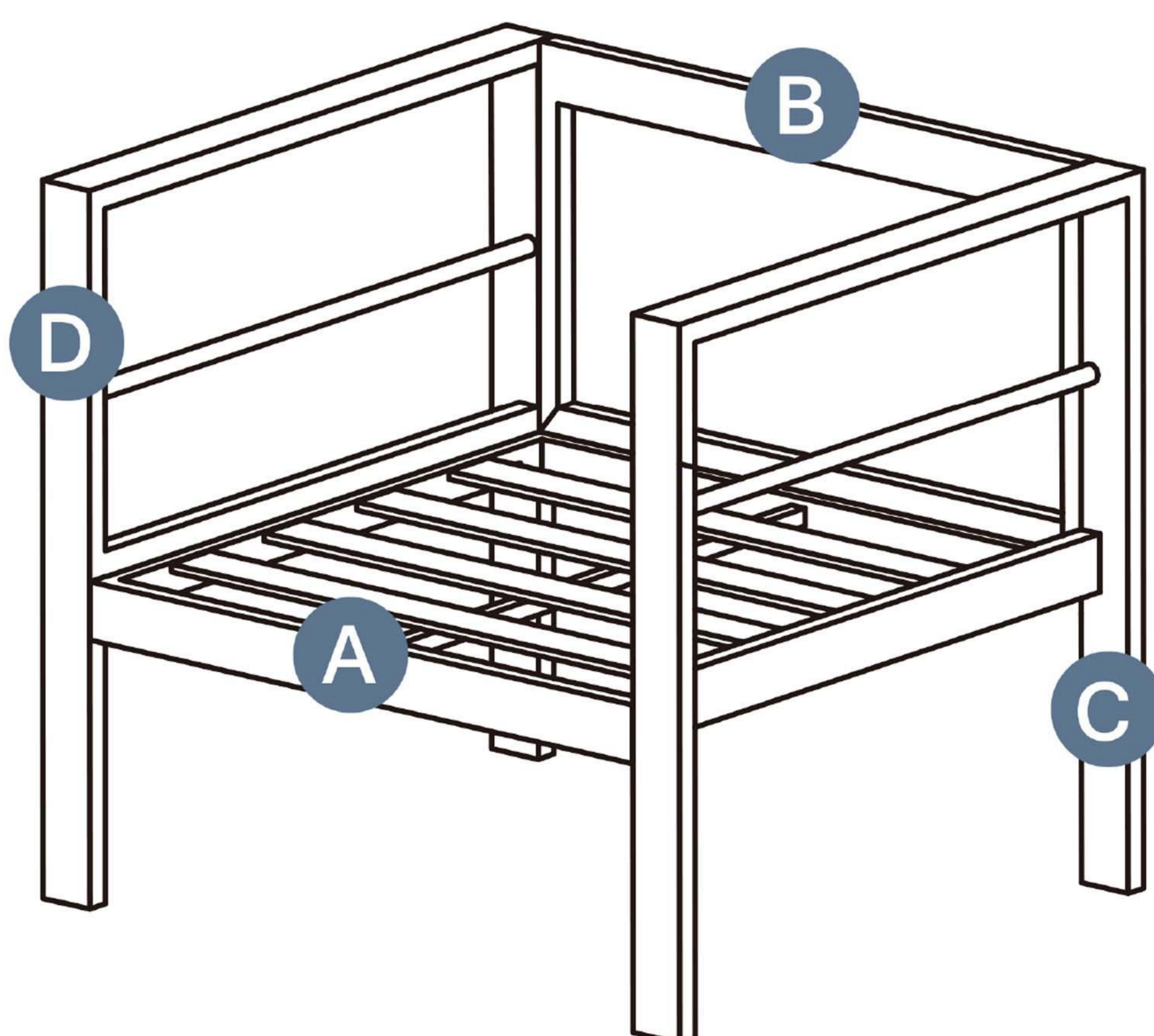
ASSEMBLY INSTRUCTIONS



Please check the number of parts in the following accessory catalogue when unpacking. We have sent you more small parts for spare. If there is any missing or any questions about the installation. Please feel free to contact us. We will reply within 24 hours.

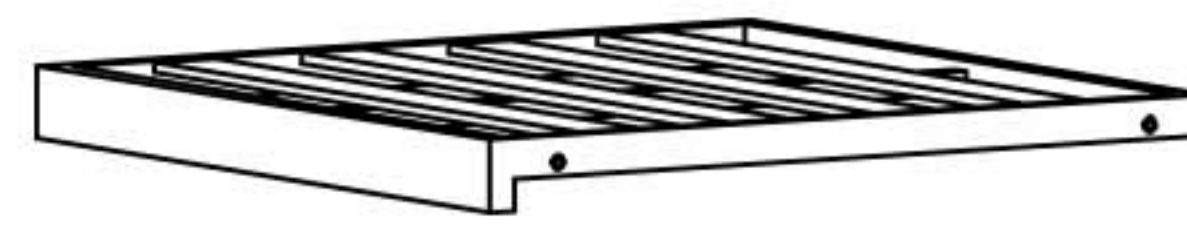
ACCESSORY CATALOGUE

Item no.	Reference Image	Qty.	Item no.	Reference Image	Qty.
A		2	X1	 M6X30mm	8
B		2	X2	 M6X35mm	8
C		2	Y		16
D		2	Z		1

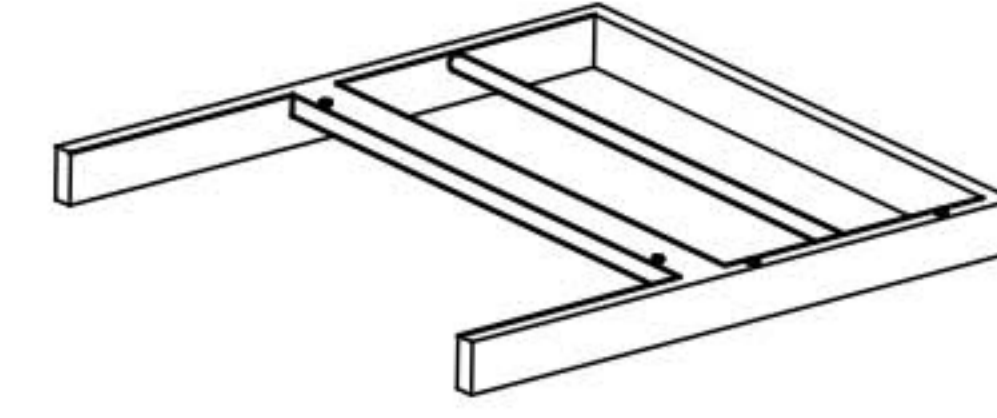


STEP 1

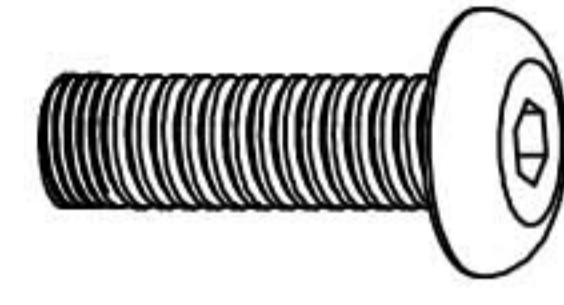
Parts required



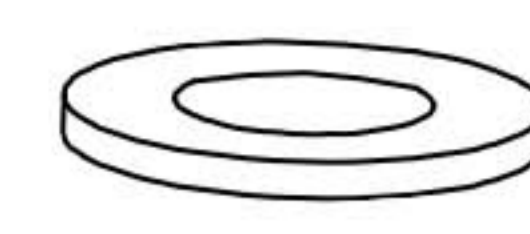
A 1pcs



D 1pcs



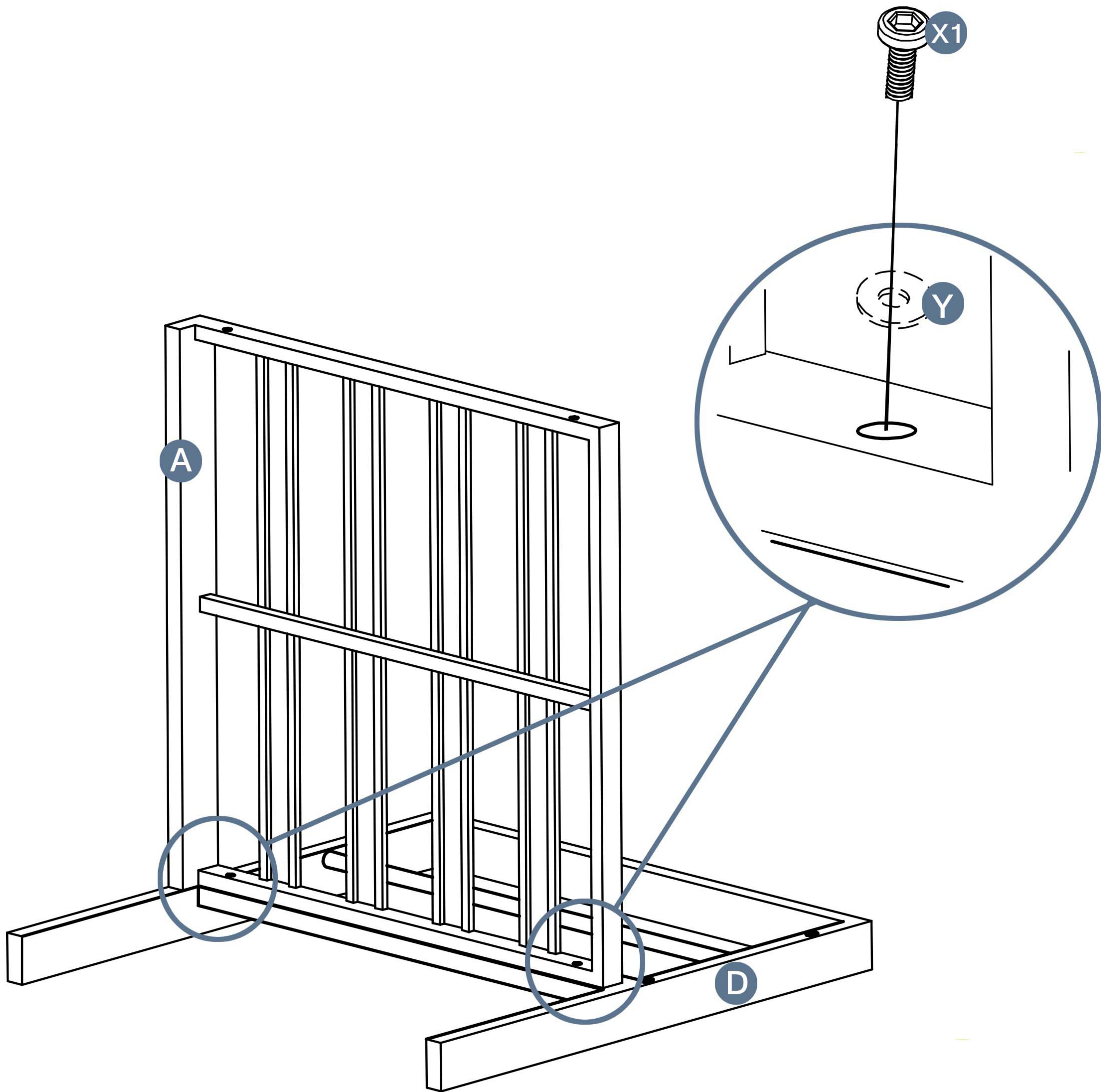
X1 2pcs



Y 2pcs

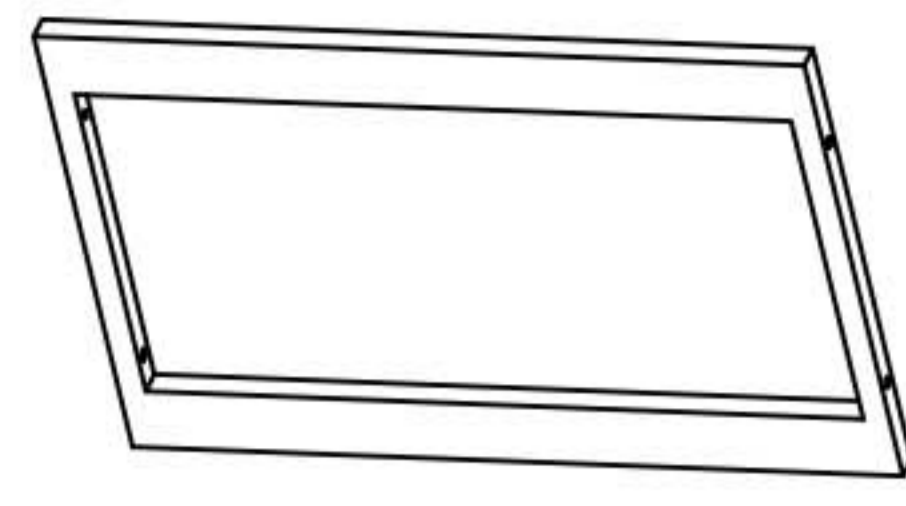


Place the washer on the screw shaft, then attach **A** and **D** together.

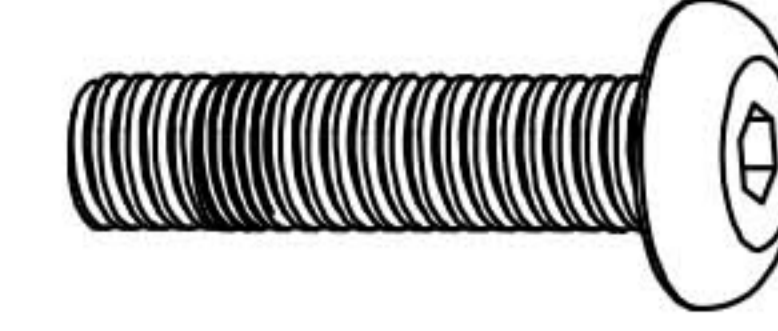


STEP 2

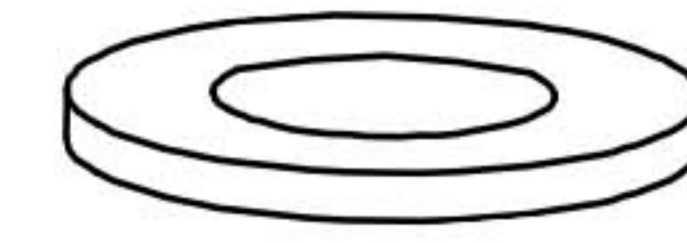
Parts required



B 1pcs



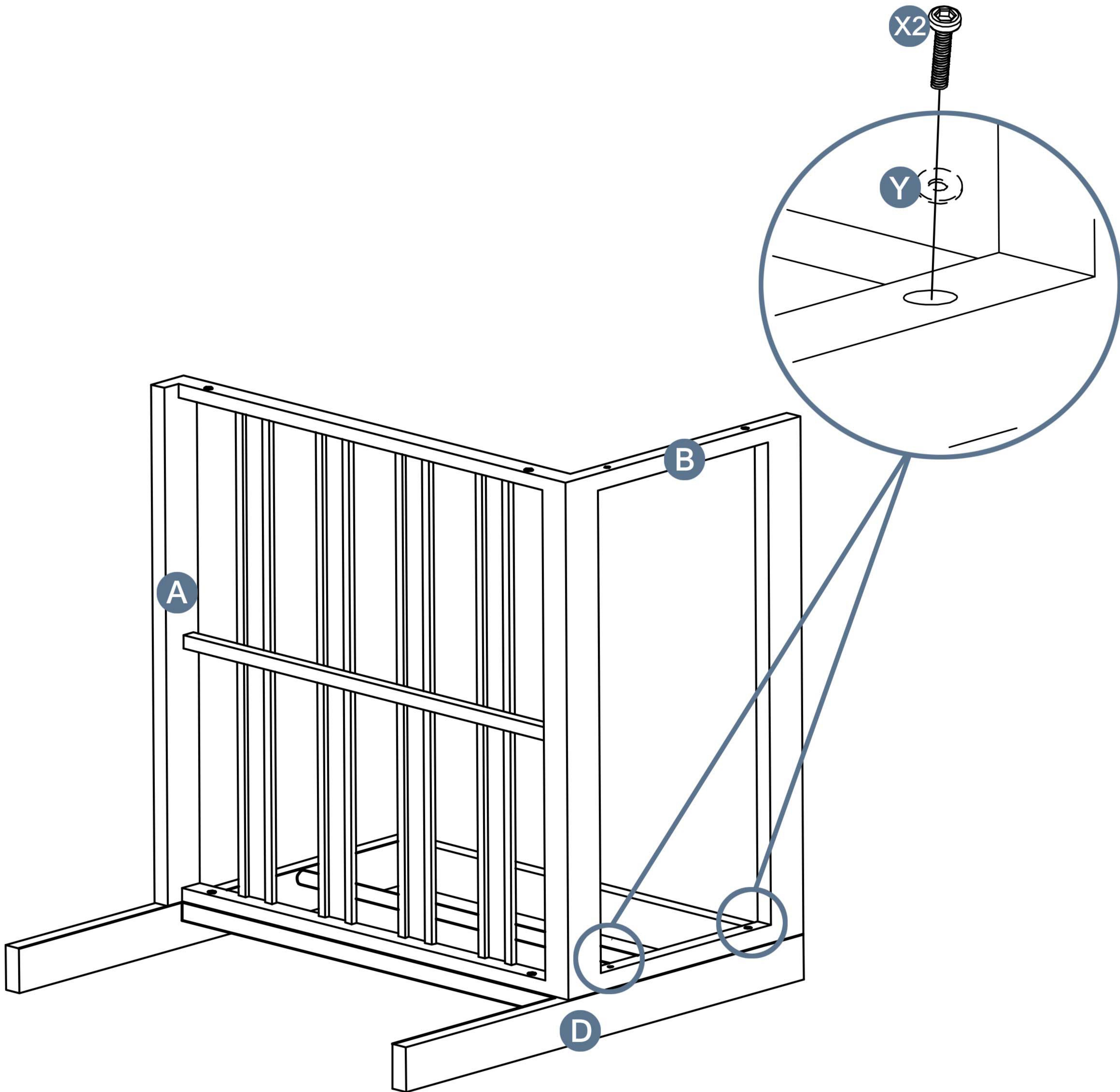
X2 2pcs



Y 2pcs

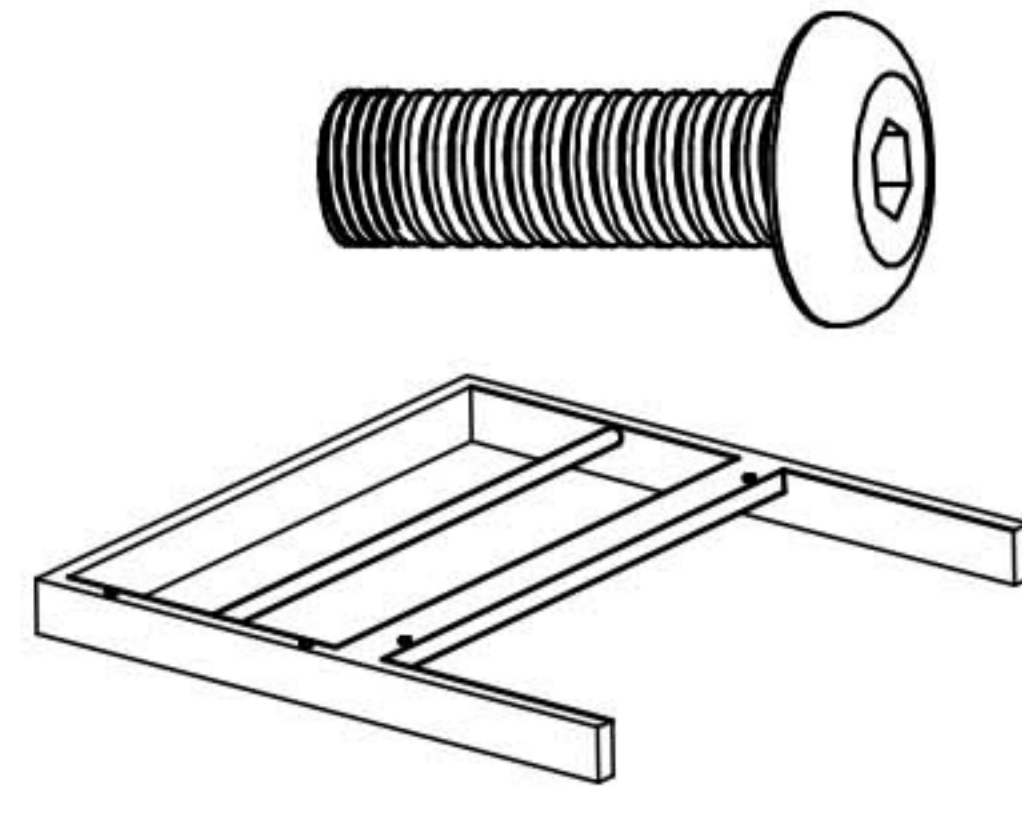


Attach the backrest B to D with Y and X2.

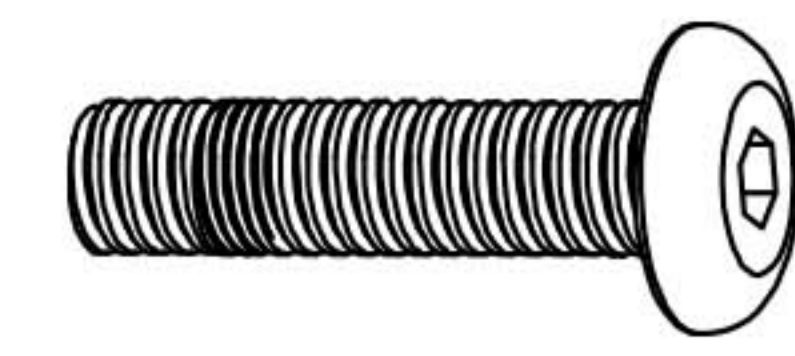


STEP 3

Parts required

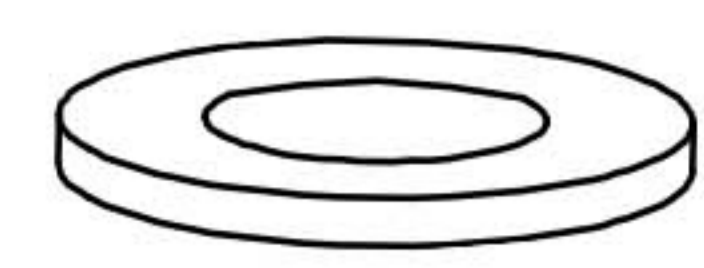


X1 2pcs



X2 2pcs

C 1pcs

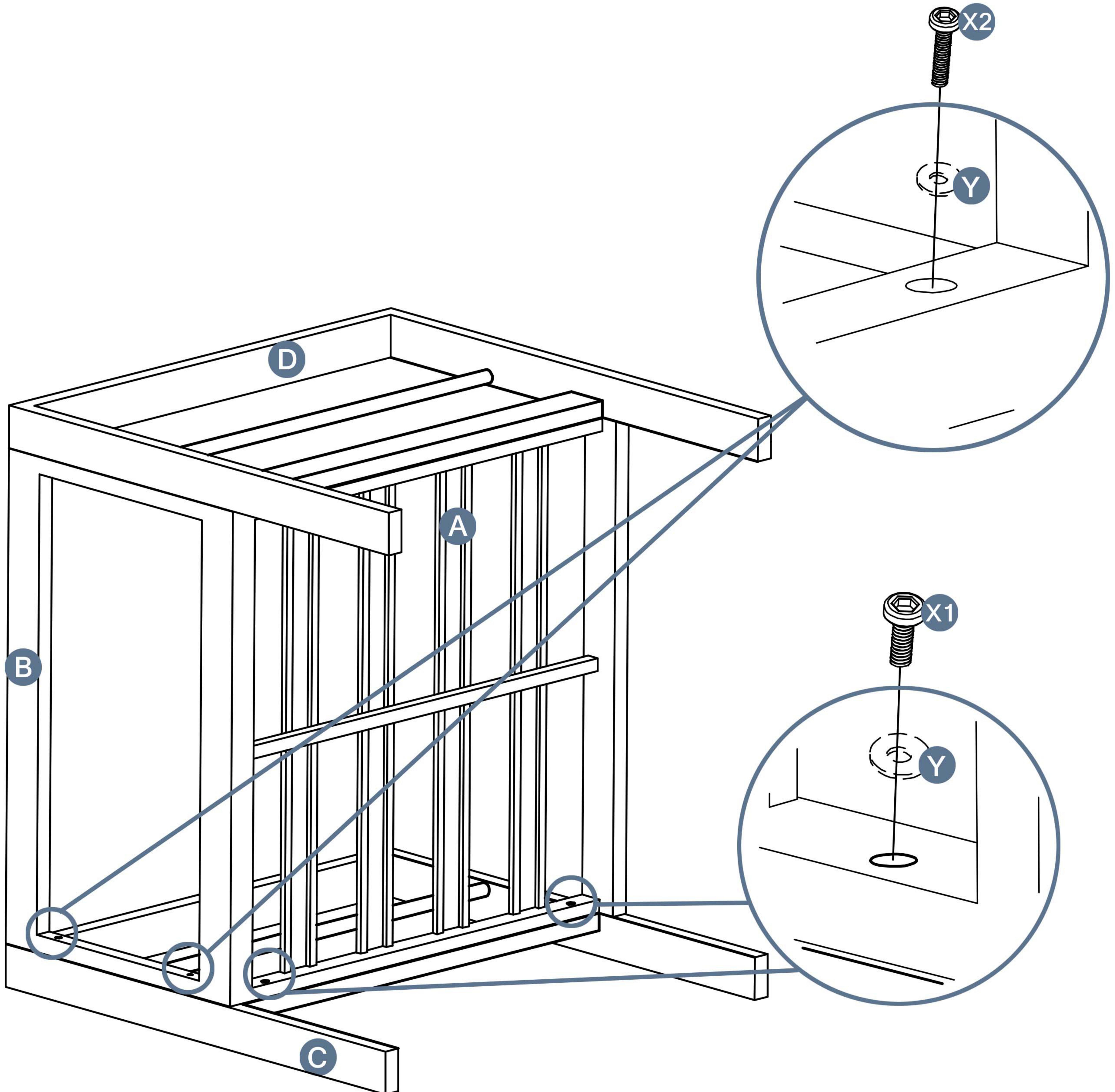


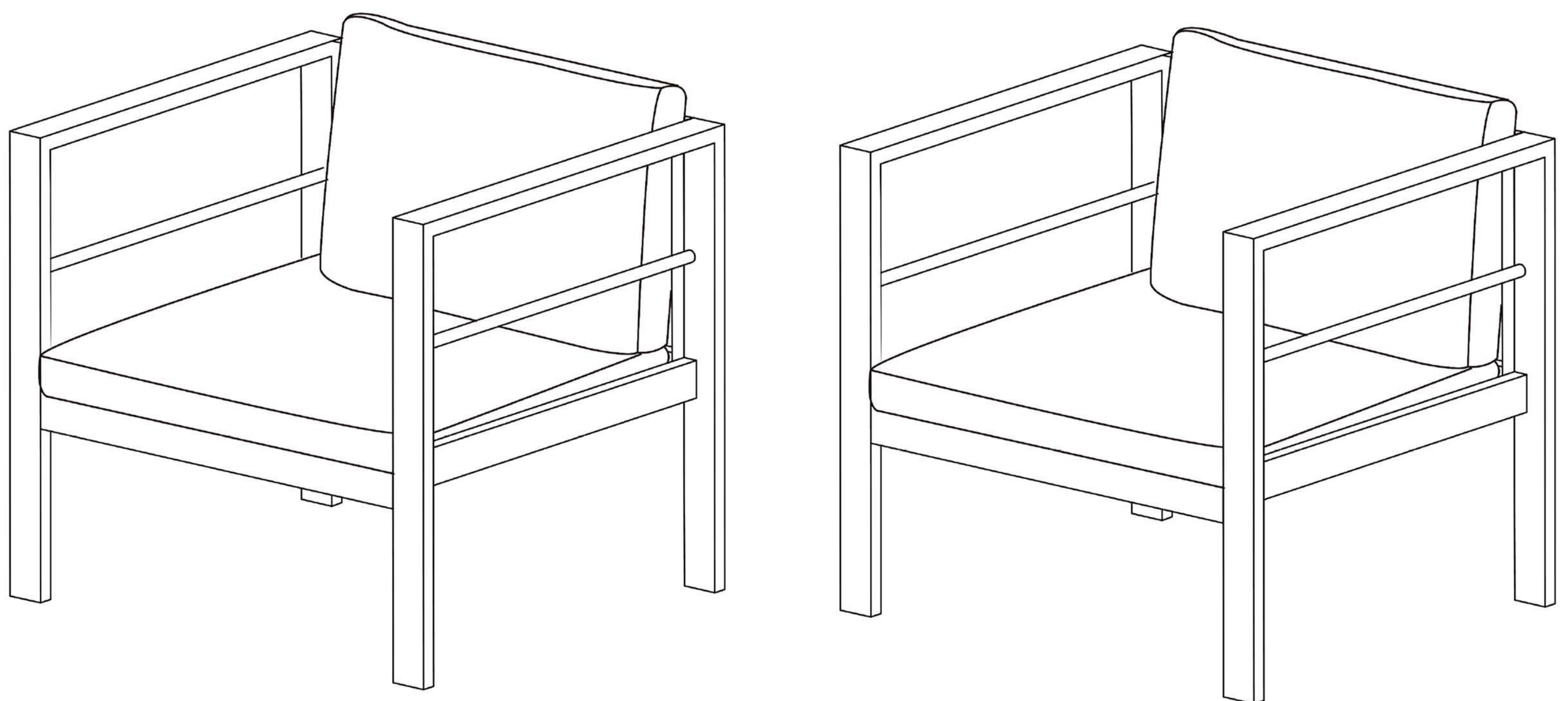
Y 4pcs



Attach C to B with Y and X2.

Attach C to A with Y and X1.





Hope you enjoy this product.

If you have any concerns about gazebo Installation, please feel free to contact us. We will reply within 24 hours.
