

SD216351

UTILITY 25



25" Top-mount Utility Sink / Laundry Sink
Stainless Steel Kitchen Sink

SPECIFICATION SHEET

Sink Dimensions

Overall: 25"x22"

Bowl: 23"x17"

Depth: 12"

Features

18 Gauge Premium Stainless Steel

Undermount Installation

Single Bowl Sink

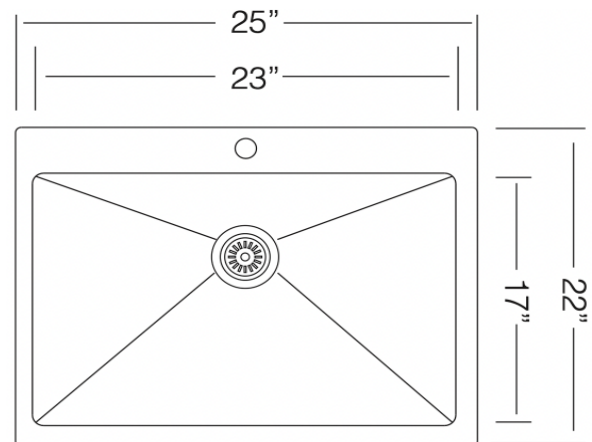


Required Min. Cabinet Size: 27"

Rear Center Set Drain

3-1/2" Drain Opening

Noise Defend Undercoating
and Sound Dampening Pads



Accessories Included

Drain Set

Cut-out Template

Mounting Hardware

Warranty

SinkDepot Limited Lifetime Warranty

see website for details

www.sinkdepot.net

