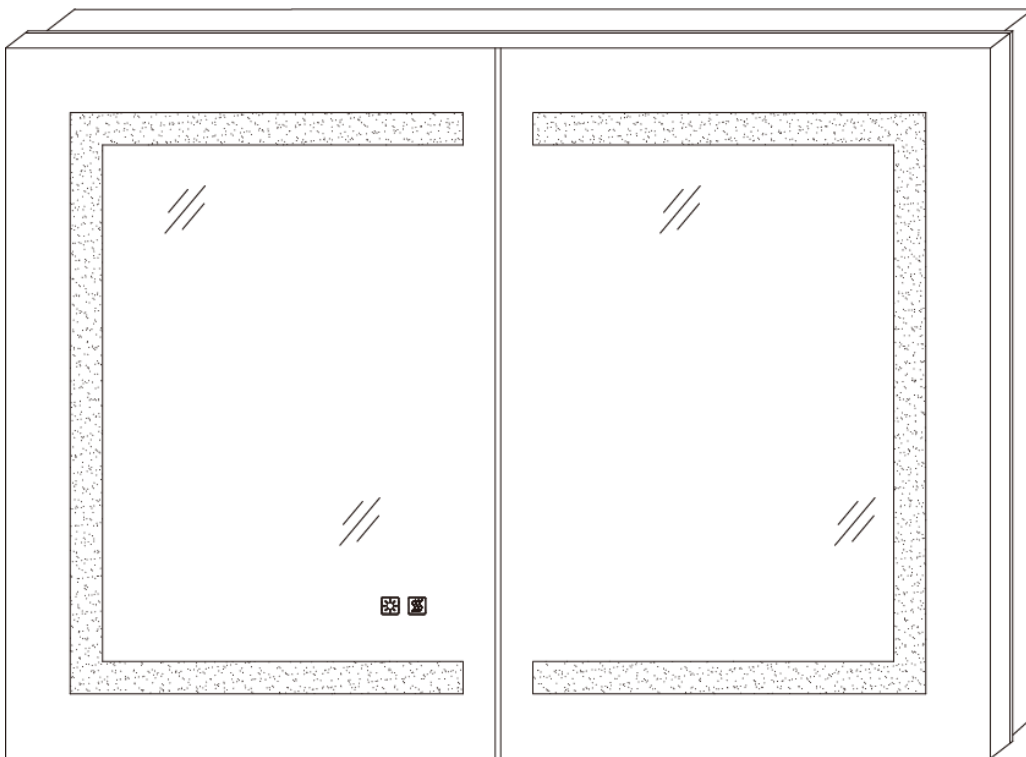


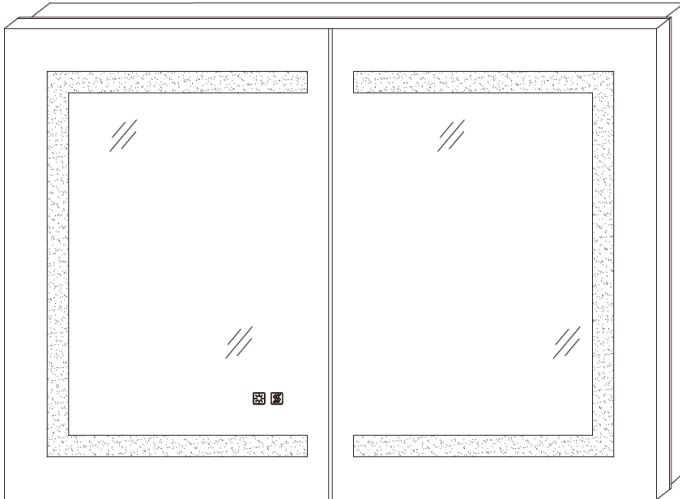
# Installation and Operating Manual



**Please do not return the product to the store.  
Contact us with any questions.**

---

## Model Specification



- Aluminum Frame
- Double Side Mirror
- Adjustable Shelves
- Quiet Hinge
- Recessed or surface mount
- Color Temperature:6000K
- Dimming
- Anti Fog
- Built-in USB

No.	Dimension	Color	Door Type	Remark
1	16"×24"	Matte Black	Left Door/Right Door	
2	20"×26"	Matte Black	Left Door/Right Door	
3	30"×26"	Matte Black	Double Door	
4	36"×26"	Matte Black	Double Door	



**For easy and safe installation, please refer to the following:**

Read all instructions thoroughly before installing the enclosed product. Read and take note of all **Safety Precautions**, care and maintenance information.

**PLEASE KEEP THIS INSTRUCTION MANUAL FOR FUTURE REFERENCE DURING PRODUCT OPERATION AND MAINTENANCE.**

---



### **WARNING AND SAFETY INSTRUCTIONS**

Before installing your LED Medicine Cabinet, please make sure that you carefully read through this instruction sheet, refer back to them during installation to ensure your product is fitted safely and correctly. Keep the instruction for future use.

#### **WARNING** Risk of Fire and Electric Shock

- All fittings must be installed in accordance with current IEE wiring regulations. If in doubt, please consult a qualified electrician.
- Turn breaker off the electrical supply at the main circuit board before installation and maintenance.
- Suitable for indoor use only. This product should be positioned well away from curtains and fabrics. Never cover the mirror.
- Regularly check any parts for damage, if any part is damaged the product should not be used.

#### **INSTALLATION SAFETY**

- Inspect the product immediately upon receipt for any possible damage during transportation or missing parts. Handle the product with care and protect against knocks to all sides and edges of the glass.
- Ensure there are no hidden pipes or cables in the wall before drilling and sawing.
- Wear suitable safety glasses when drilling. Take care if drilling on tiled surfaces in case the drill slips.

#### **CAUTION**

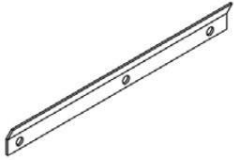
The light source of this product is non-changeable light diodes (LED). **Do not disassemble the product**, as the light diodes can cause damage to the eyes.

NOTE: The important safeguards and instructions that appear in this manual are not meant to cover all possible conditions and situations that may occur. It must be understood that common sense, caution and care are factors that can't be built into any product. These factors must be supplied by the person(s) caring for and operating the fixture. Do not install this fixture in hazardous locations.

---

## PARTS SUPPLIED

**Z- Mounting Bar**  
×1



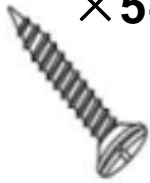
**Z-Supporting Hook**  
×1



**Wire Cap**  
×3



**Anchor Screws**  
×5~10



**Shelves**  
×2~6



**Hinge Covers**  
×2~8



**Anchors**

×5~10

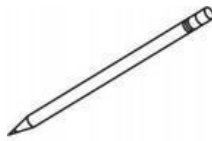


## TOOLS REQUIRED

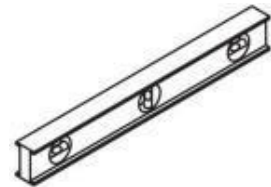
**Drill**



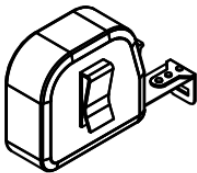
**Pencil**



**Level**



**Tape**



**Gloves**



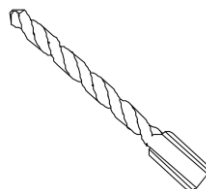
**Safety Glasses**



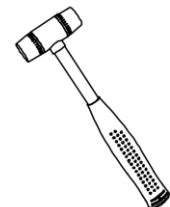
**Phillip  
Screw Driver**



**Drill Bit  
10mm(3/8")**



**Hammer**



## Installation Instruction



The medicine cabinet supports two installation methods: **1.Surface Installation** and **2.Embedded Installation**.

Please choose the installation way as needed.



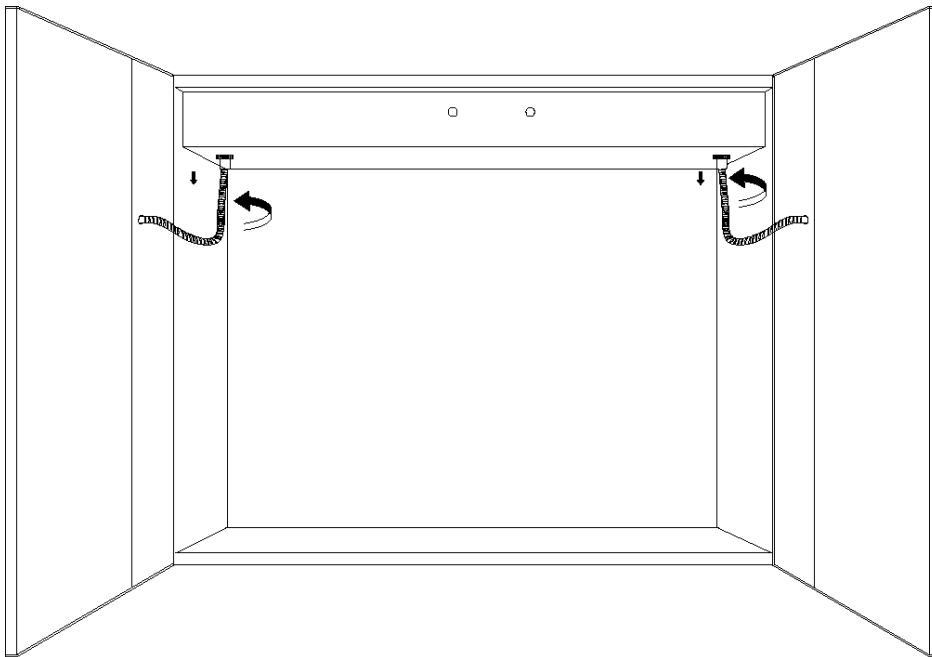
Some cabinet doors will be separated from the cabinet to reduce packaging volume. Please install the cabinet door after completing the cabinet installation according to the instruction.

The installation instructions for the cabinet door is at the end of the installation instructions.

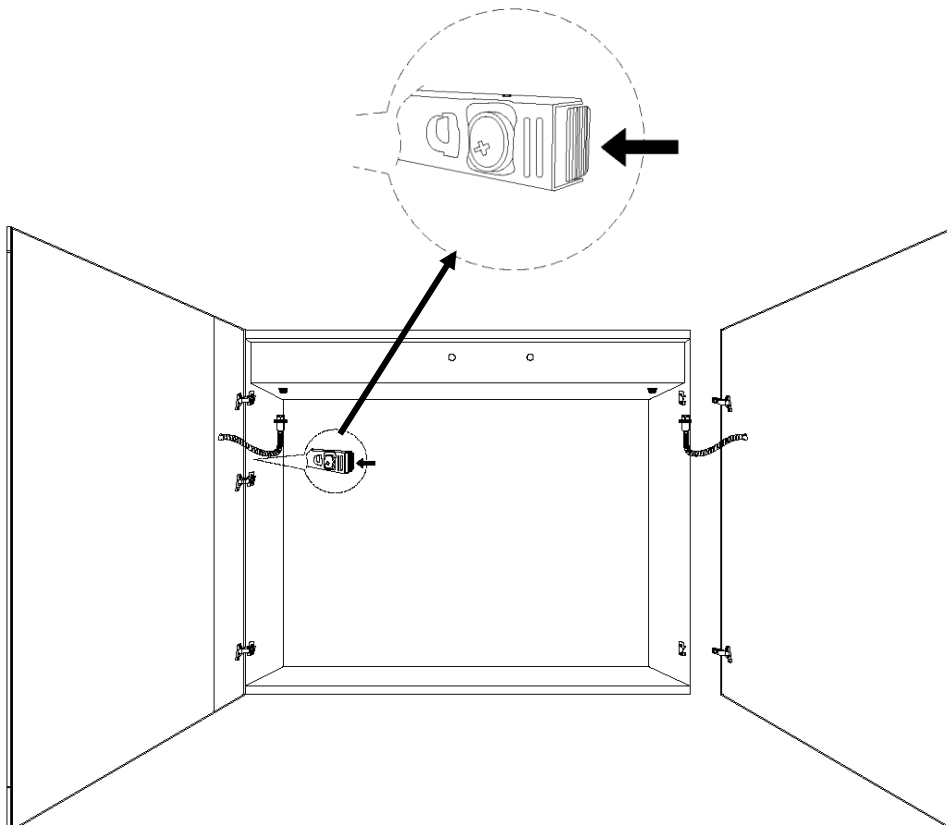
---

**Before installing the medicine cabinet, please remove the cabinet doors first. This will make the installation easier and more convenient.**

1. First, disconnect the wires from the cabinet doors.

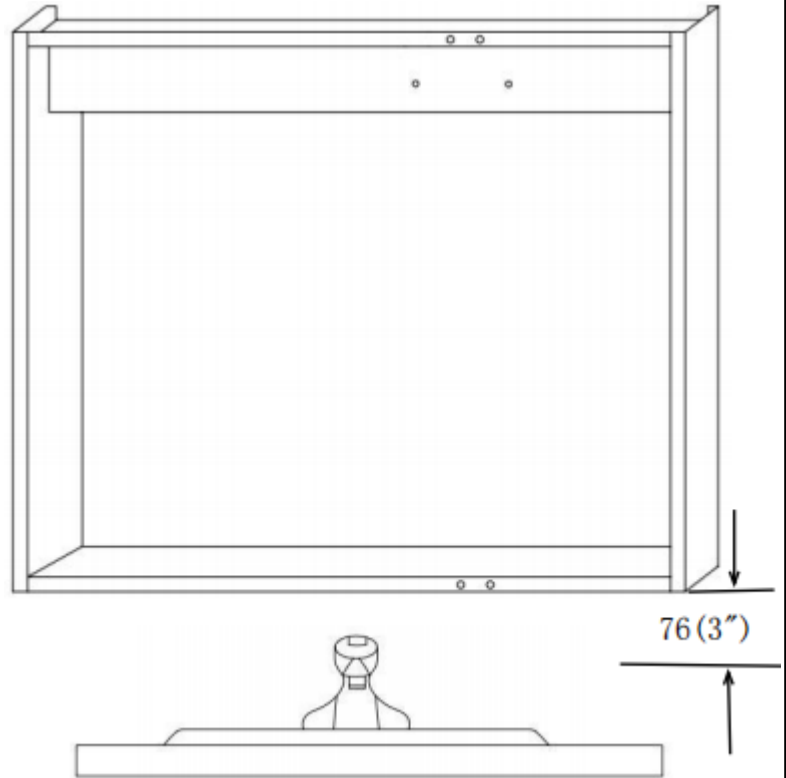


2. Then, press the end of the hinges and detach the cabinet door.



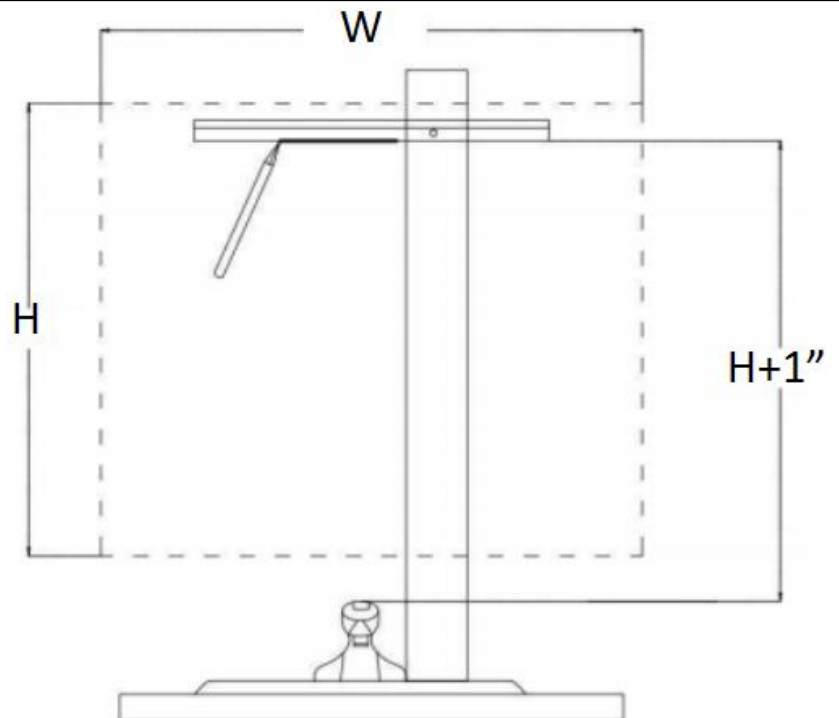
## Surface Installation Instruction

Verify minimum clearances



STEP 1

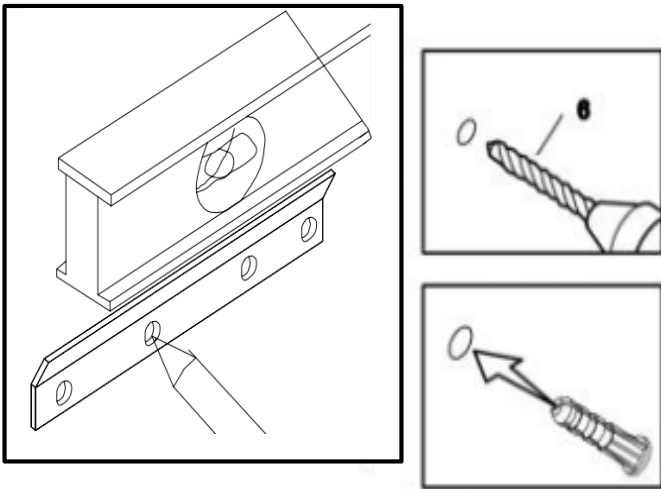
H is the total height of the mirror cabinet, and W is the total width of the mirror cabinet



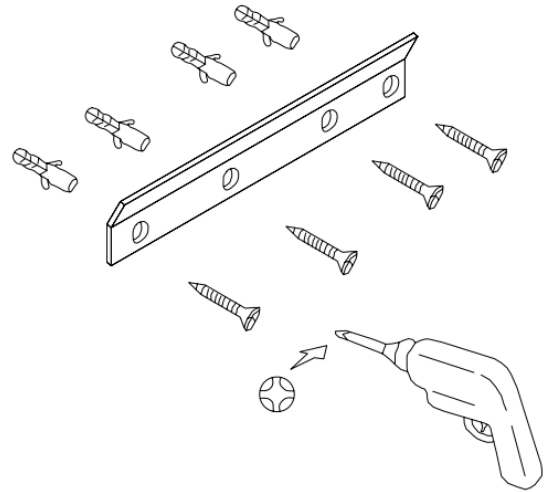
STEP 2

## Surface Installation Instruction

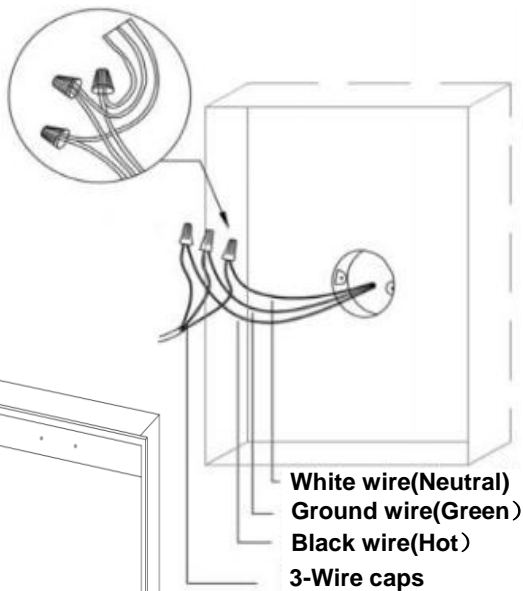
Mark hole locations on the wall. Drill holes  
Insert anchors where needed.



STEP 3

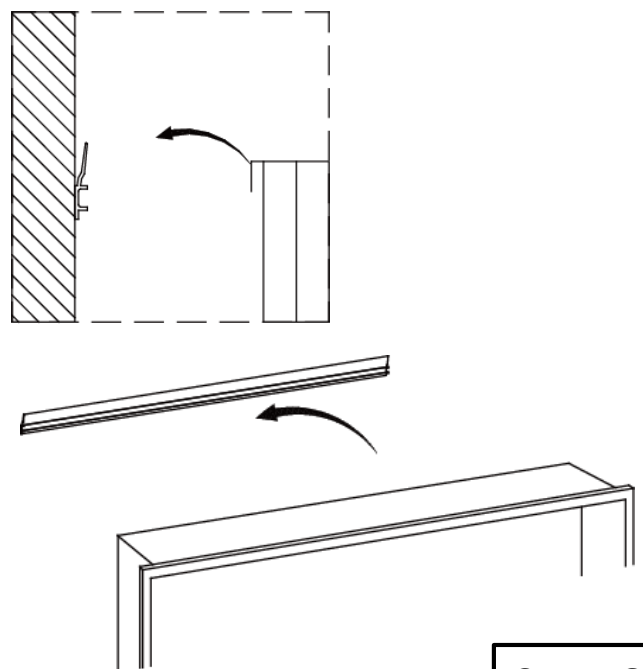


STEP 4



STEP 5

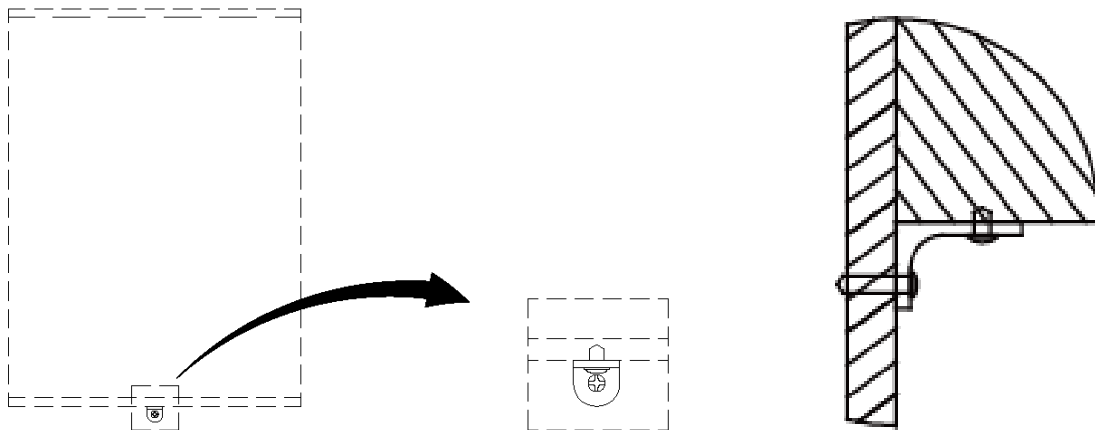
Lift the cabinet onto the mounting bar.  
Ensure the hooks engage the bar.



STEP 6

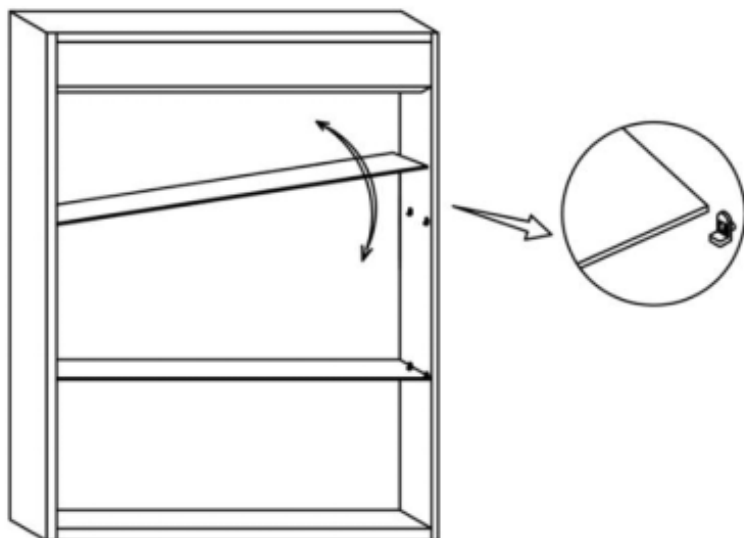
## Surface Installation Instruction

Place the support angle on the bottom of the cabinet and mark hole location on the wall. Drill hole and insert anchor where needed. Fix the support angle by screw. Always look for wood studs behind the drywall for stronger installation, they are 16" apart.



STEP 7

Insert the glass shelves between the layer board clips.

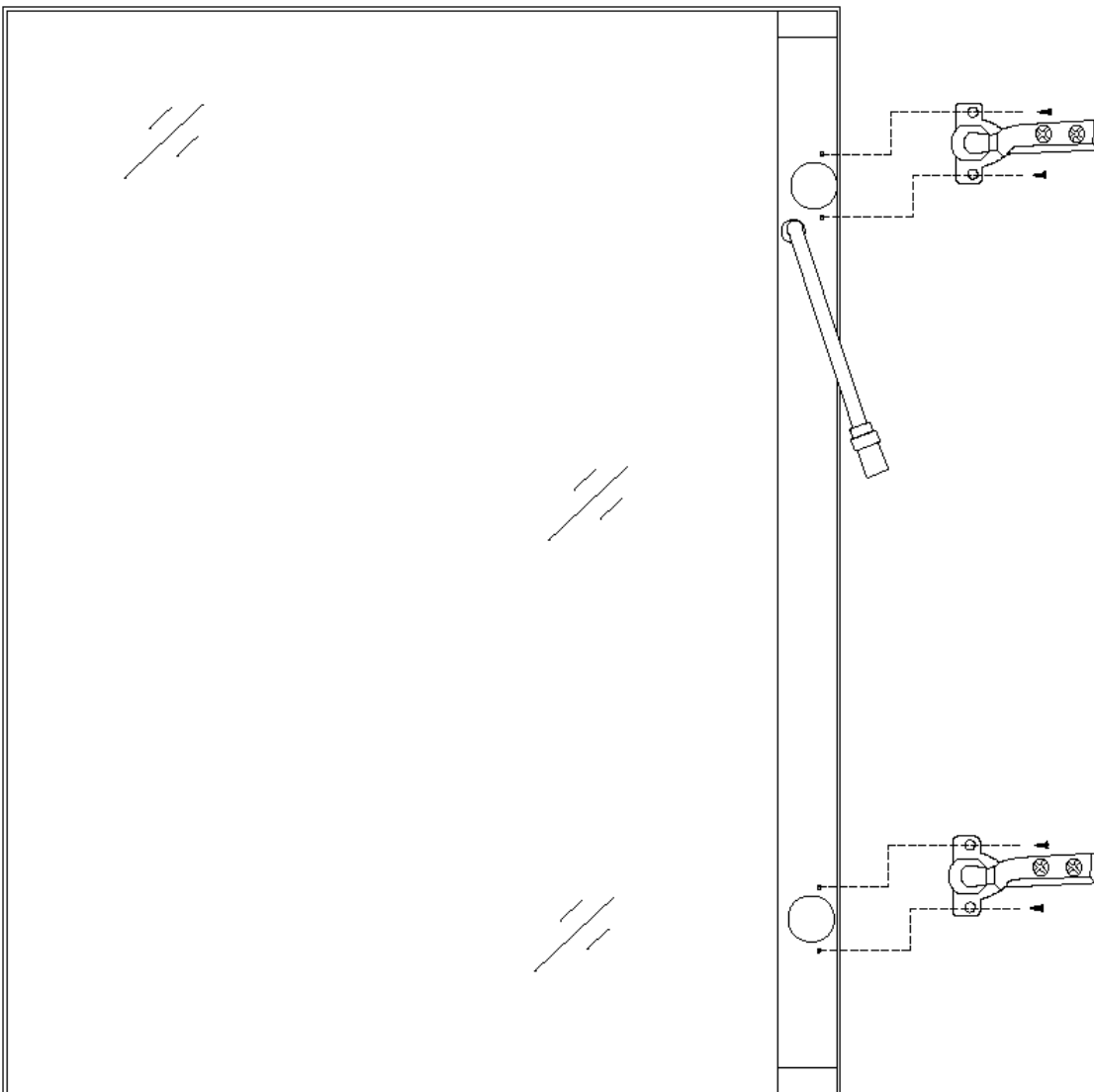


STEP 8



**Some models have removable hinges. Before installing the cabinet door, you need to install the hinges first.**

Place the hinge cup in the opening on the cabinet door and secure it with screws.

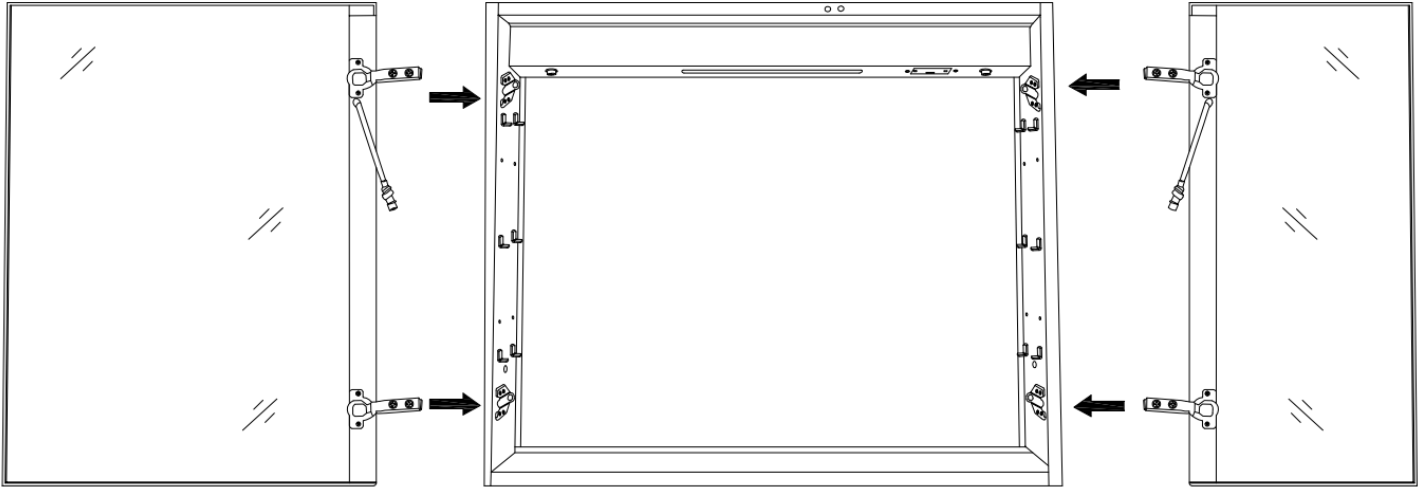


**Note:** The hinge base has been installed on the cabinet body.

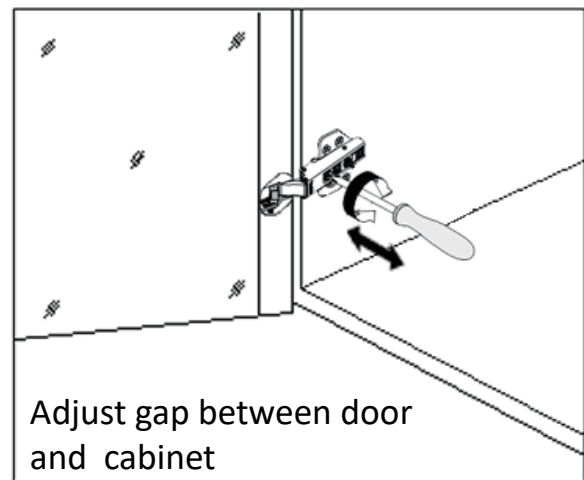
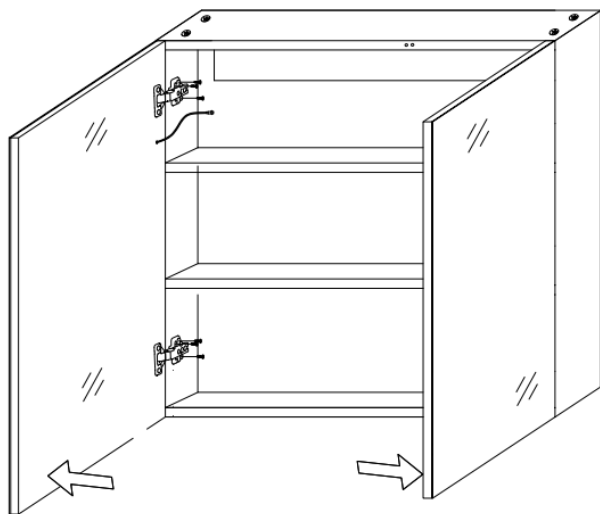
---

## Step9: Cabinet Door Installation

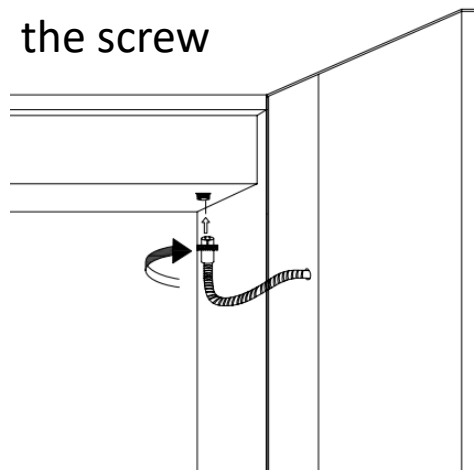
1. Insert the hinges to the base ,then connect the doors with the cabinet



2. If necessary , adjust corresponding screws on the hinge to align the doors, ensure that gaps are even and the doors open and close smoothly

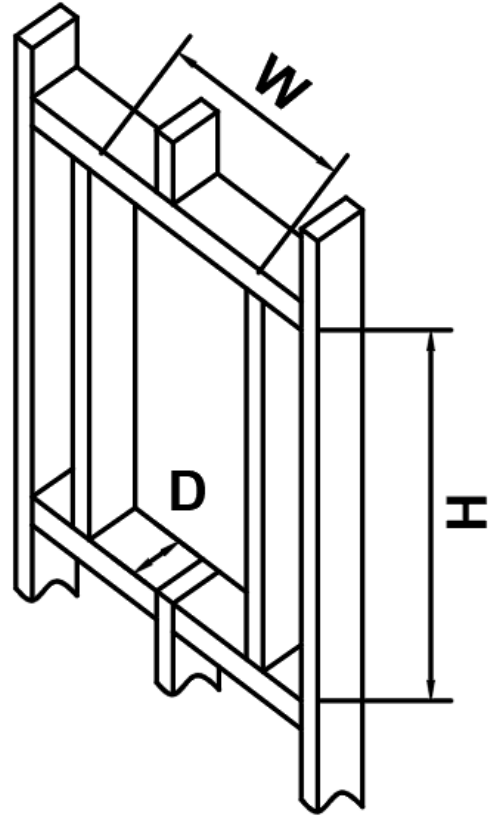


3. Insert the wire on the door into the terminal on the cabinet and tighten the screw



## Embedded Installation Instruction

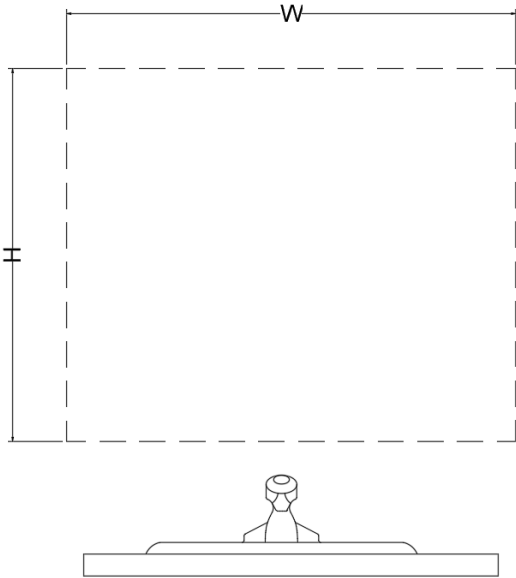
Before installing, it is necessary to determine the opening size, which can be referred to in the table below.



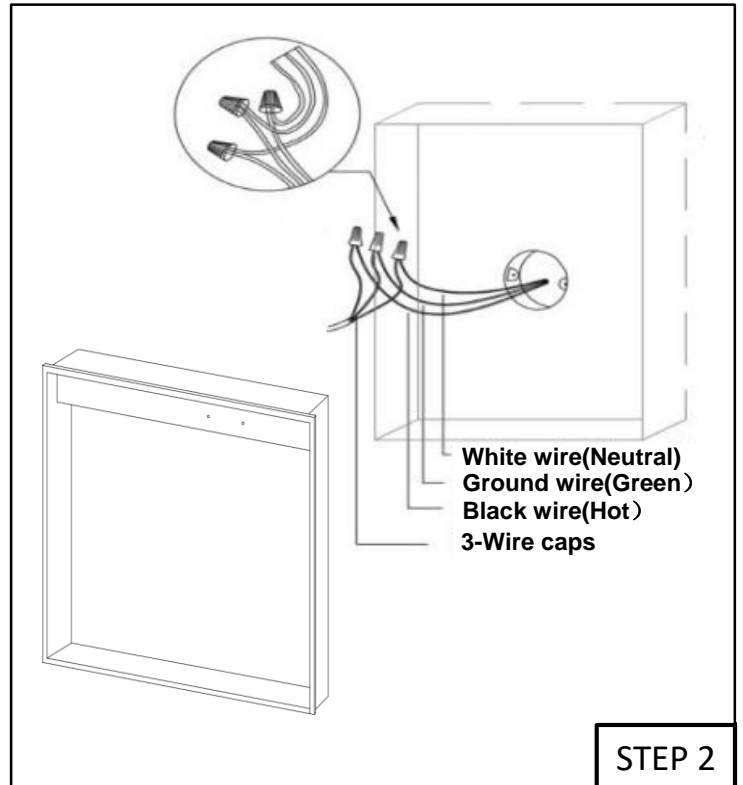
Embedded Installation Dimension				
No.	Dimension	W/inch	H/inch	D/inch
1	16"×24"	15-1/4	23-1/4	4-3/8
2	20"×26"	19-1/4	25-1/4	4-3/8
3	30"×26"	29-1/4	25-1/4	4-3/8
4	36"×26"	35-1/4	25-1/4	4-3/8

## Embedded Installation Instruction

Determine the size of the opening

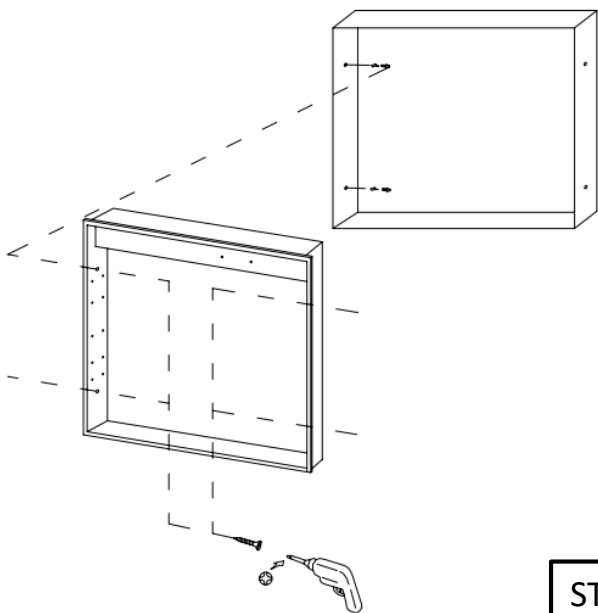


STEP 1

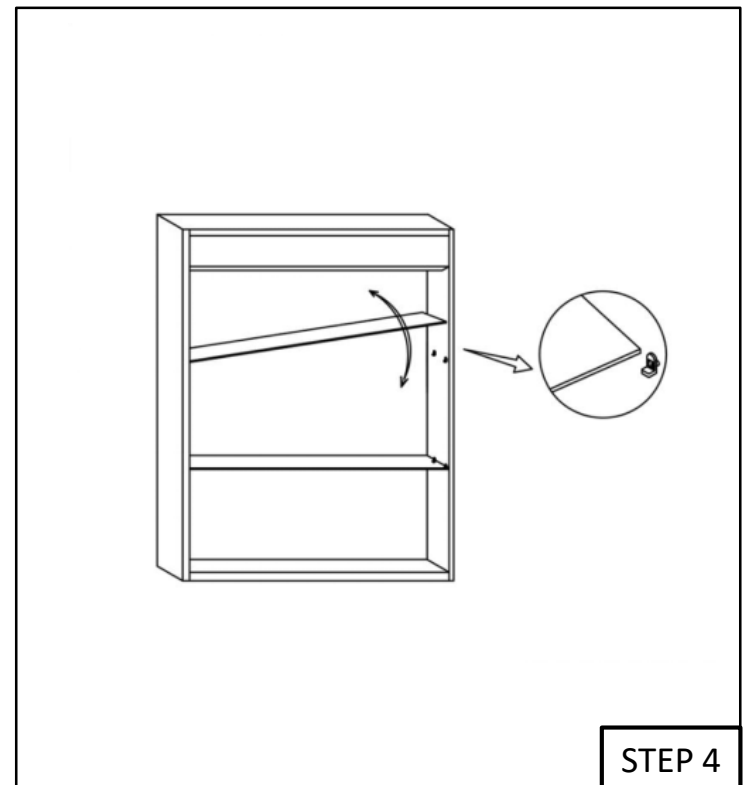


STEP 2

For certain models, there are reserved wiring ports on both sides, intended for connecting other products. If you don't need to use them, please neatly organize the wires.

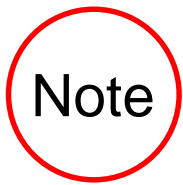


STEP 3



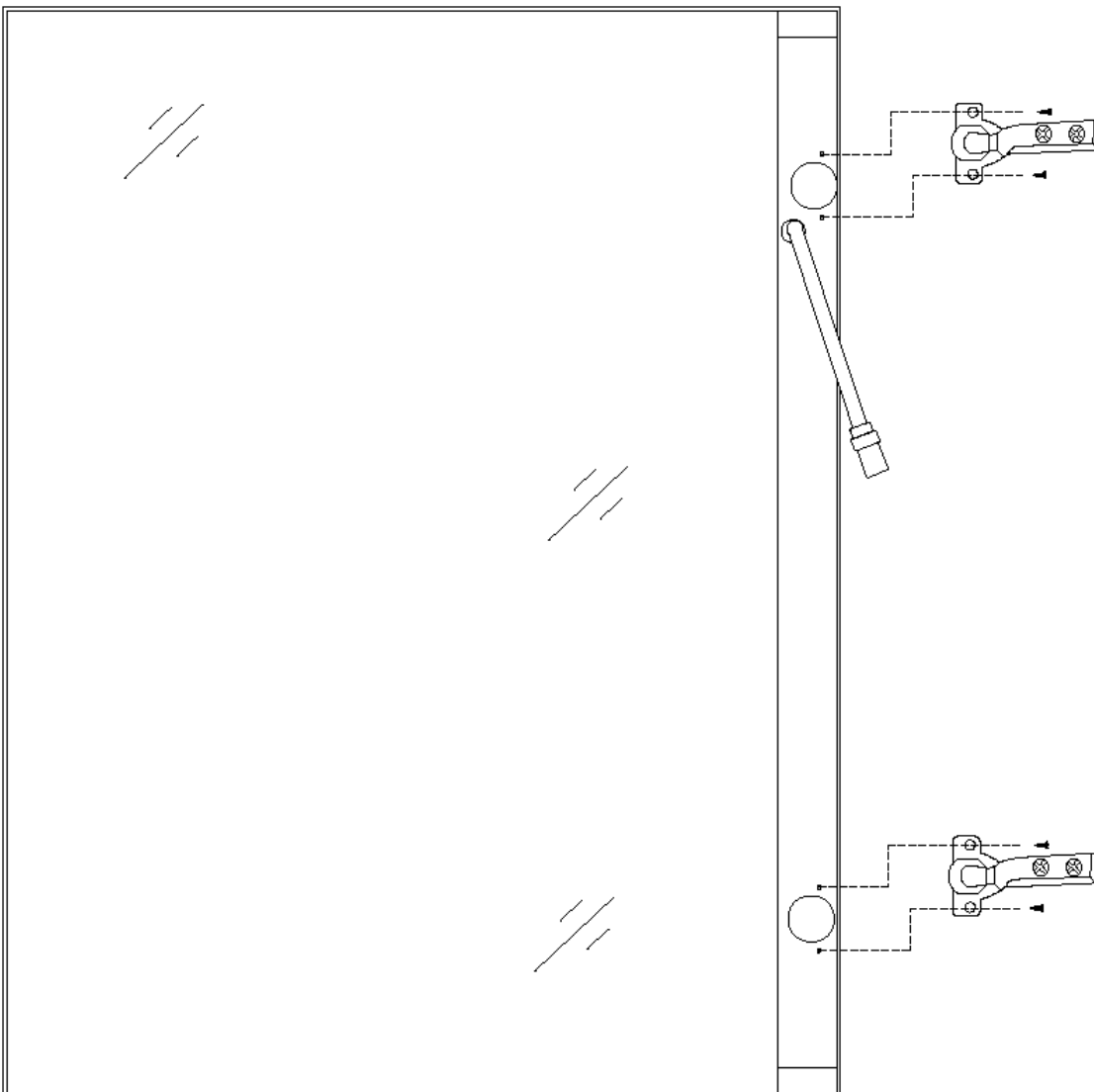
STEP 4

\*All diagrams are for reference only. All model dimensions and proportion position will vary.



**Some models have removable hinges. Before installing the cabinet door, you need to install the hinges first.**

Place the hinge cup in the opening on the cabinet door and secure it with screws.

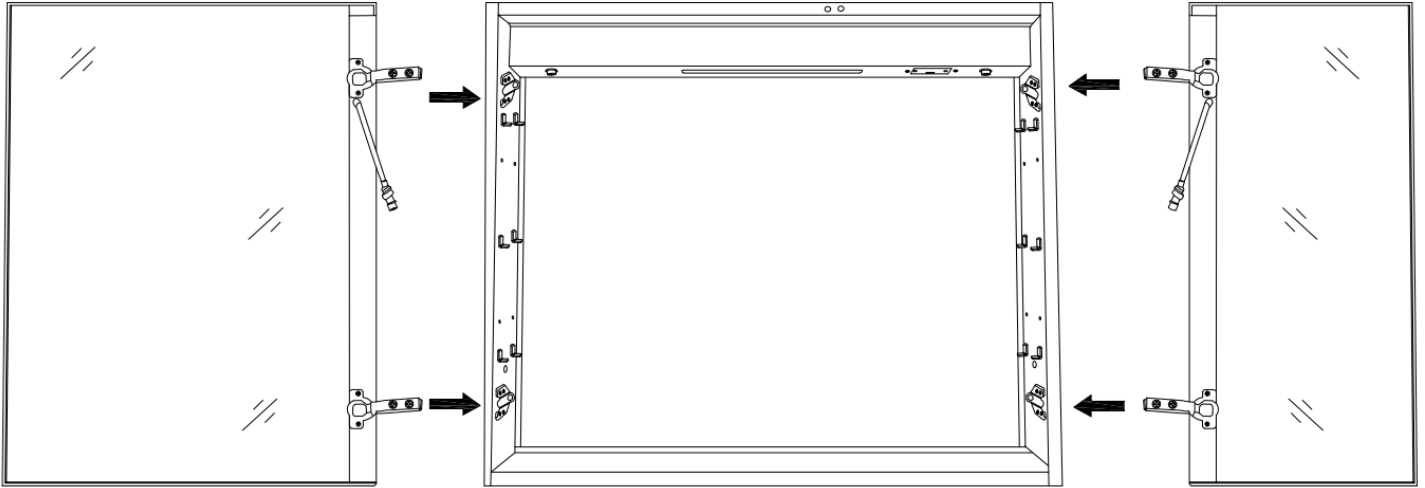


**Note:** The hinge base has been installed on the cabinet body.

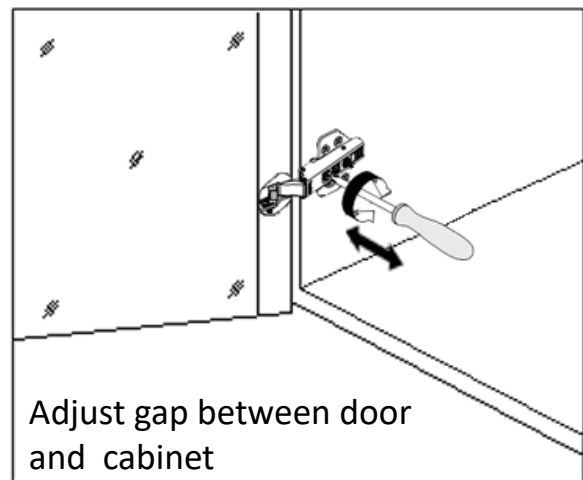
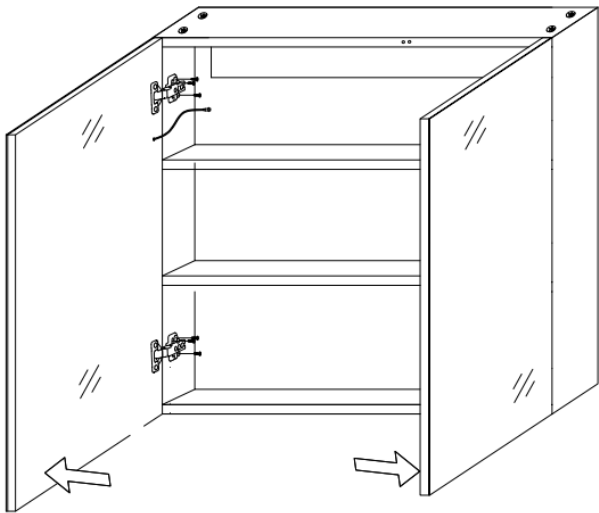
---

## Step5: Cabinet Door Installation

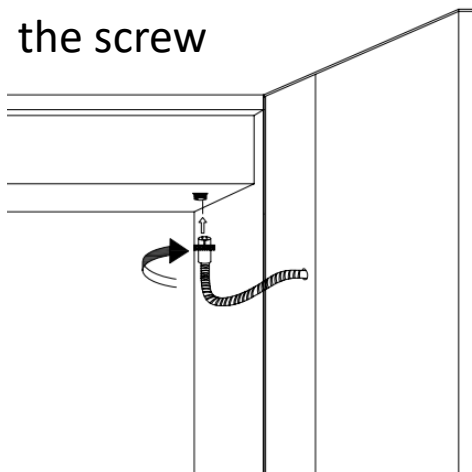
1. Insert the hinges to the base ,then connect the doors with the cabinet



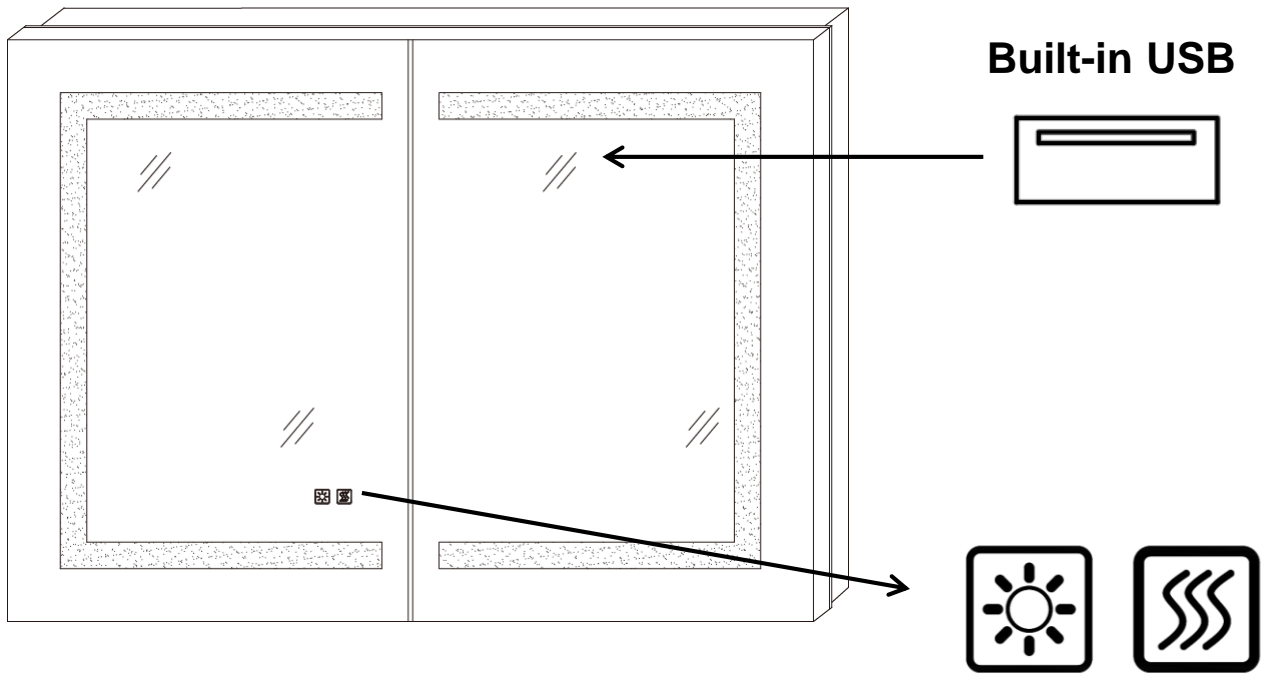
2. If necessary , adjust corresponding screws on the hinge to align the doors, ensure that gaps are even and the doors open and close smoothly



3. Insert the wire on the door into the terminal on the cabinet and tighten the screw



# Operating Manual



The buttons turn blue when connected to the main power supply and turn white after a brief touch.



- Briefly touch the button to turn the mirror on or off.
- Press and hold the button to adjust the brightness.
- Release the button when the brightness reaches your desired level to set it.



- The mirror begins to warm up and defog after you press the defogger button.
- Press the button again to turn off the anti-fog function.
- **Press and hold the button to turn the blue backlight on or off.**
- **Note:** To prevent damage from prolonged high temperatures, the defogger will automatically stop after 60 minutes of continuous operation.