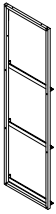
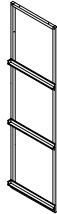
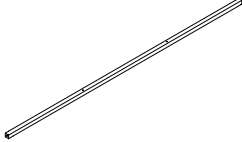
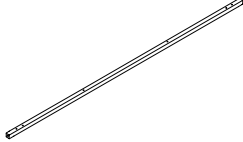
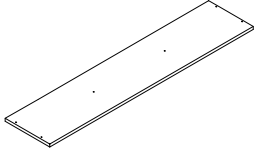
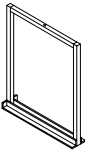
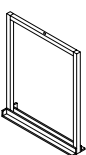
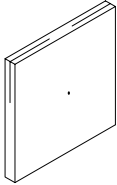
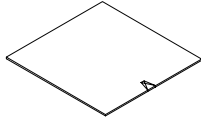
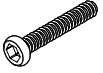
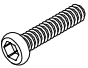
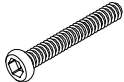


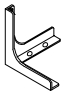






# ASSEMBLY INSTRUCTION

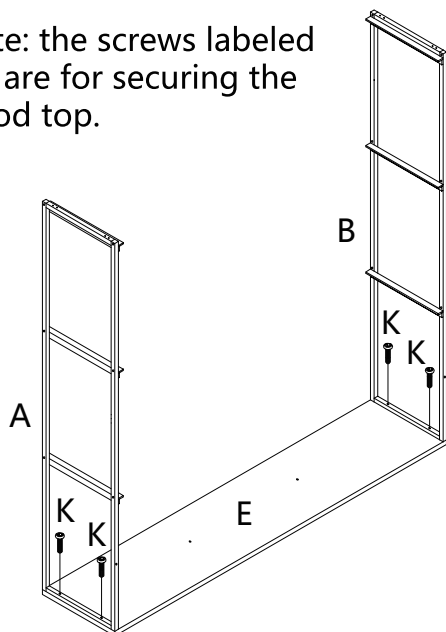
- ①. Check out our Youtube channel [for step-by-step installation video.](#)
- ②. It would be best if you set aside and organize all pieces & corresponding "nuts/ bolts" first.
- ③. Please follow the instruction to assemble the item correctly.
- ④. Could be assembled by one person, but would recommend two.
- ⑤. Do not tighten the screws until all of them are in right positions.

**SAFETY INFORMATION**  
The accessory bag contains some small accessories, which should be kept away from children.

<b>A</b>  X1	<b>B</b>  X1	<b>C</b>  X4	<b>D</b>  X2	<b>E</b>  X1
<b>F</b>  X2	<b>G</b>  X4	<b>H</b>  X9	<b>I</b>  X9	<b>J</b>  M6x28mm X24
<b>K</b>  M6x25mm X6	<b>L</b>  M6x50mm X4	<b>M</b>  M6x10mm X16	<b>N</b>  M4x10mm X9	<b>O</b>  X4
<b>P</b>  X4	<b>Q</b>  X9	<b>R</b>  X2	<b>S</b>  X1	

1

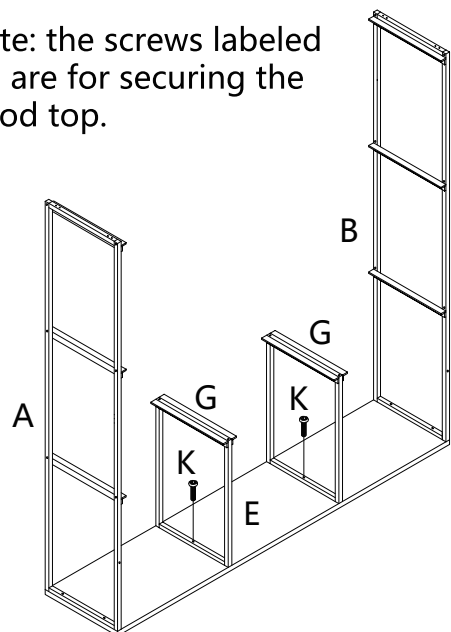
Note: the screws labeled "K" are for securing the wood top.



K M6x25 x4

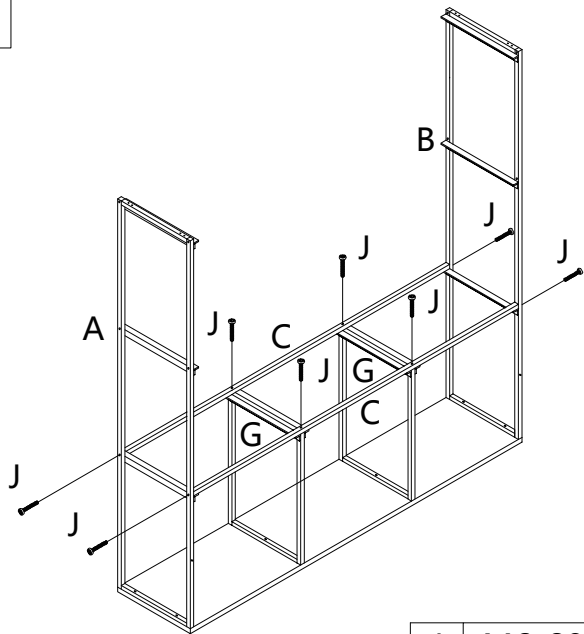
2

Note: the screws labeled "K" are for securing the wood top.



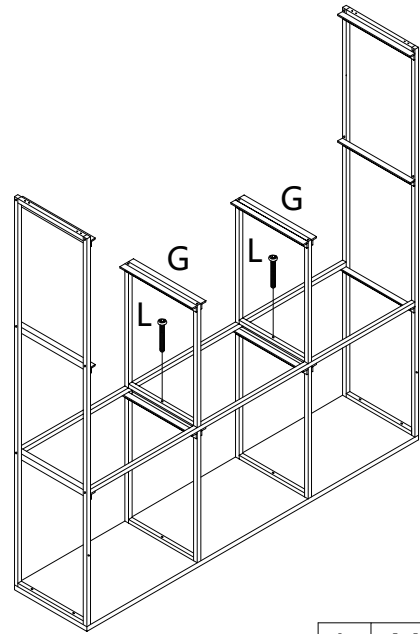
K M6x25 x2

3



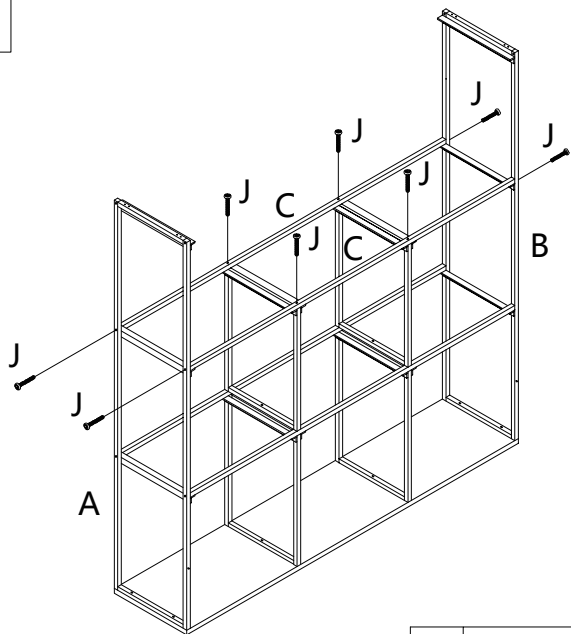
J	M6x28	x8
---	-------	----

4



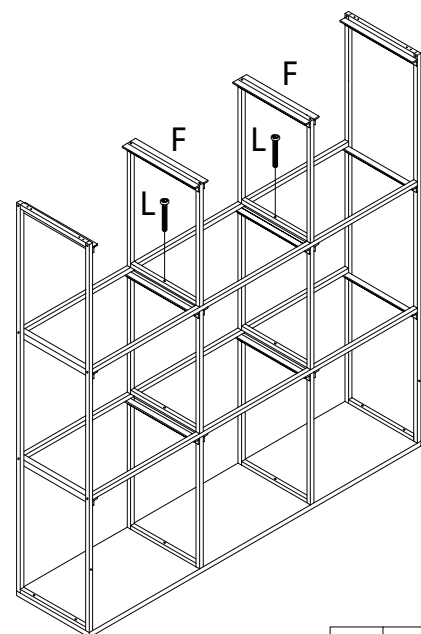
L	M6x50	x2
---	-------	----

5



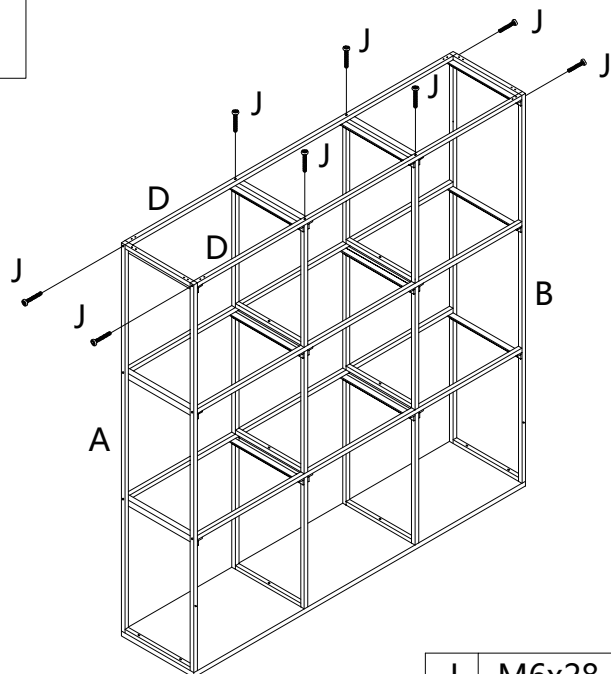
J	M6x28	x8
---	-------	----

6



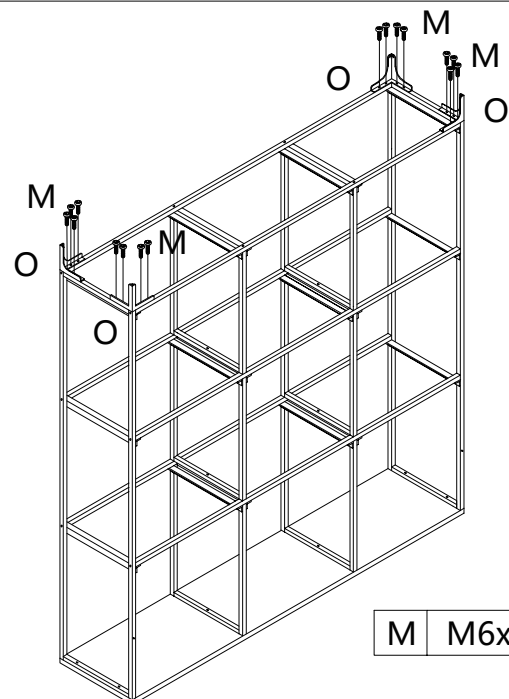
L	M6x50	x2
---	-------	----

7



J	M6x28	x8
---	-------	----

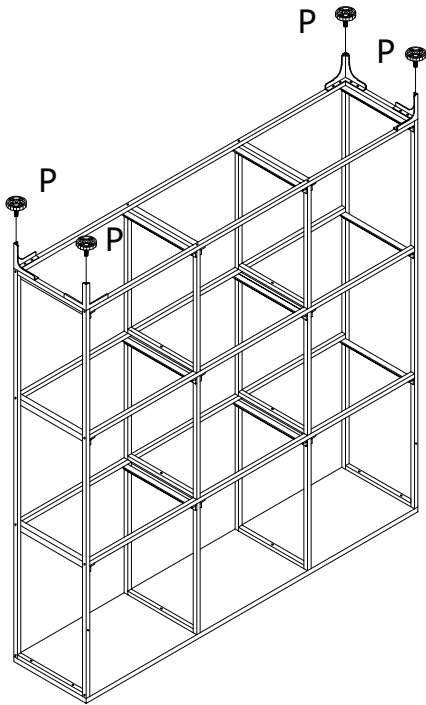
8



M	M6x10	x16
---	-------	-----

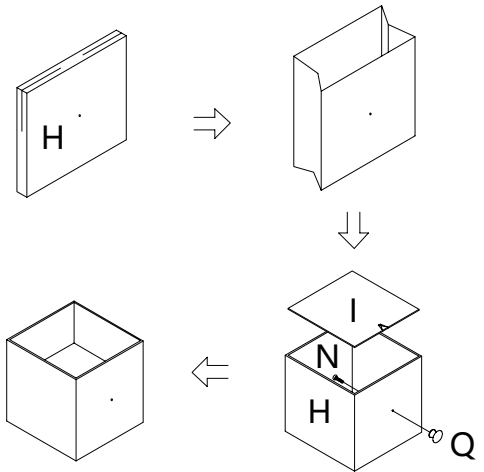
O	x4
---	----

9



P x4

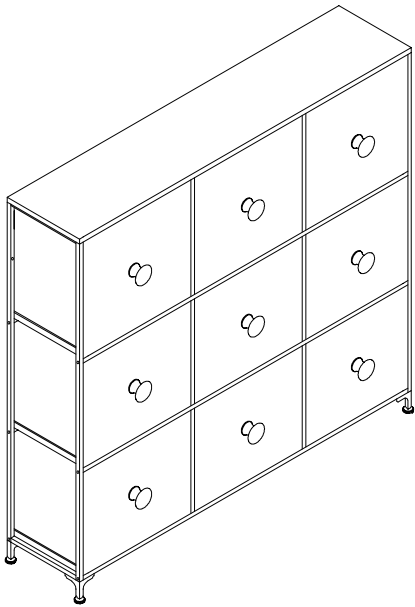
10



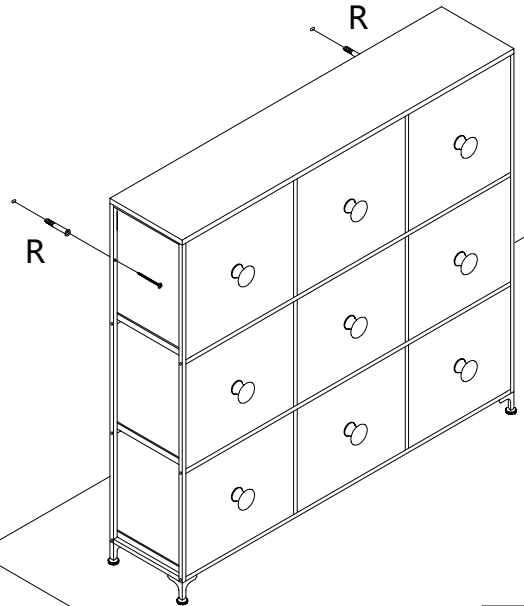
N M4x10 x9

Q x9

11



12



R x2