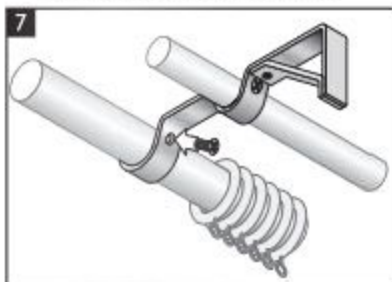
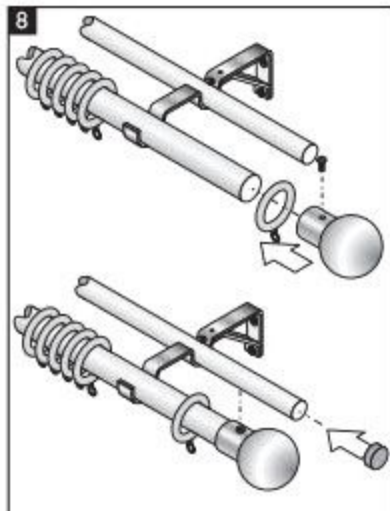


13. Insert and tighten the pole locking screws on the larger pole, Fig.7.



14. Position a ring between the bracket and finial on the larger pole, Fig. 8.
 15. Mount the finials on the larger pole and tighten the locking screw.
 16. Fit the smaller pole endcaps.
 17. The pole is now ready to accept curtains by slipping curtain hooks through the eyelets on the rings.

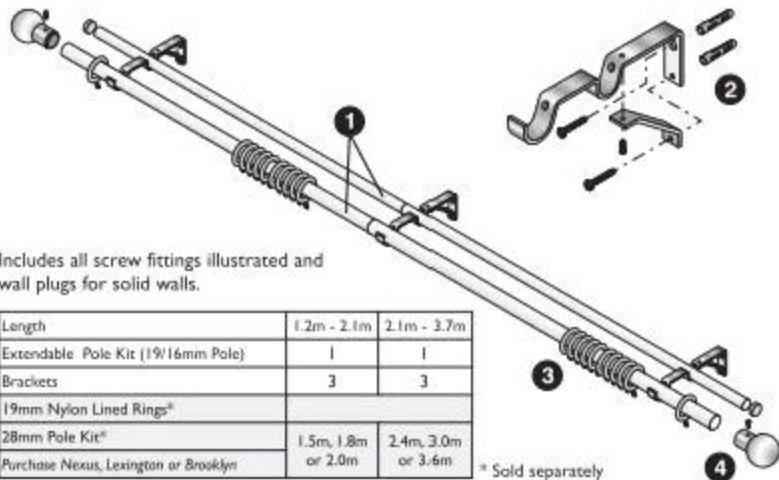


Safety

- Only use a step ladder or stable chair to reach the fixing height.
- Do not over reach. Always move the stepladder or chair, so that you are in a safe working position.
- Do not hold or lean on the pole to support your weight.
- Use two people for the installation of longer poles.
- Take care when using power tools, use of a Residual Current Device (RCD) is recommended.
- Always wear eye protection when drilling.
- Beware of hidden pipe runs and cables.

Double Layering Pole Kit Fitting and Assembly Instructions

Finial styles in pack may differ from those illustrated



Includes all screw fittings illustrated and wall plugs for solid walls.

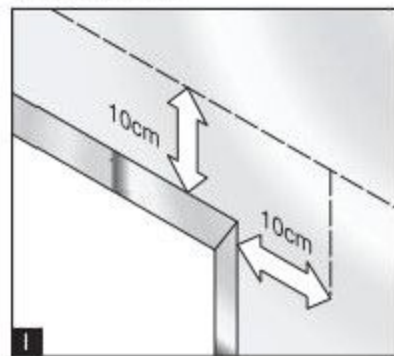
Length	1.2m - 2.1m	2.1m - 3.7m
Extendable Pole Kit (19/16mm Pole)	1	1
Brackets	3	3
19mm Nylon Lined Rings*		
28mm Pole Kit*	1.5m, 1.8m or 2.0m	2.4m, 3.0m or 3.6m
Purchase Nexus, Lexington or Brooklyn		

* Sold separately

Should any component be missing, please call the Customer Care Department on 0800 515493.

Tools required: Steel Tape measure, Soft Pencil, Posi-Drive Screw Driver, Spirit level, Drill and Drill bits.

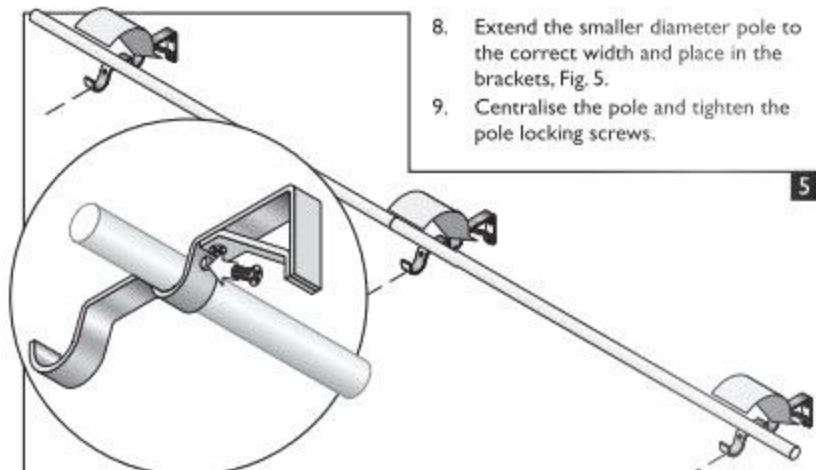
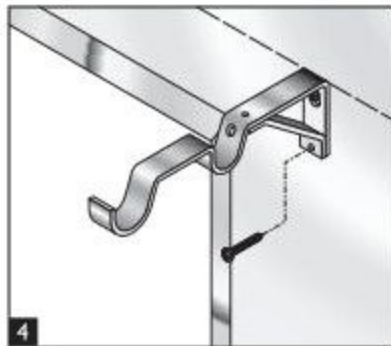
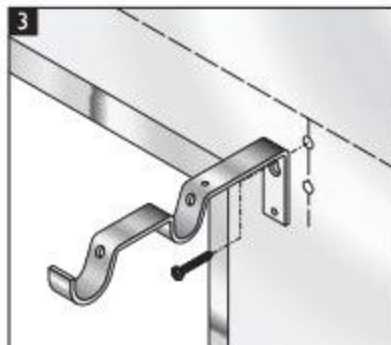
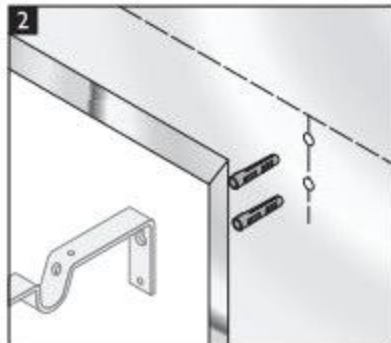
1. Carefully remove packaging, avoid damage to the poles and fittings.
2. Offer rod up to the window and centralise over width to determine correct length.
3. Use a spirit level to mark the top line of the brackets about 10cm above the window recess.
4. Mark the position of the brackets at about 10cm from the outside edge of the window recess.



- Position the brackets on the wall and mark the two holes on the wall and drill the holes, Fig. 2.
- Using the wall plugs and screws provided fix the brackets securely using the top screw only, Fig. 3.

Alternative wall fixings should be used where necessary.

- Fit the bracket stay and fix the bottom bracket screw to the wall, Fig. 4.



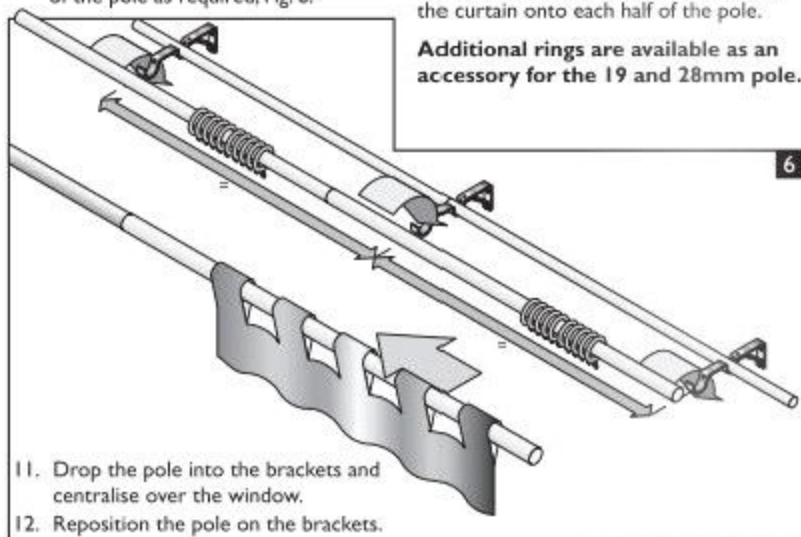
- Extend the smaller diameter pole to the correct width and place in the brackets, Fig. 5.
- Centralise the pole and tighten the pole locking screws.

- Extend the large diameter pole to the correct width. Slide on an equal number of curtain rings on each half of the pole as required, Fig. 6.

Allow for a ring at each end between the finial and bracket.

For curtains without curtain hooks slide the curtain onto each half of the pole.

Additional rings are available as an accessory for the 19 and 28mm pole.



- Drop the pole into the brackets and centralise over the window.
- Reposition the pole on the brackets.