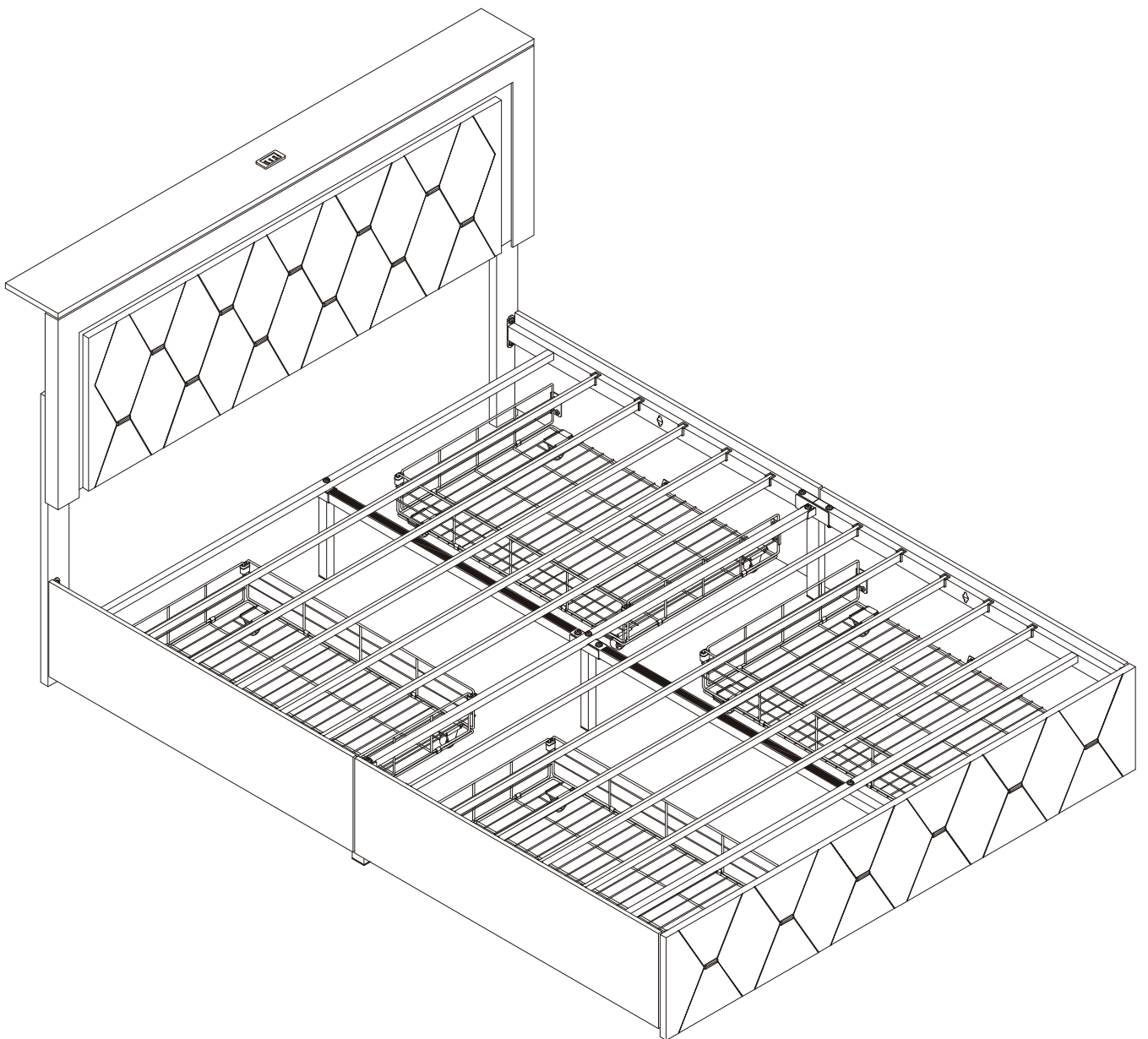


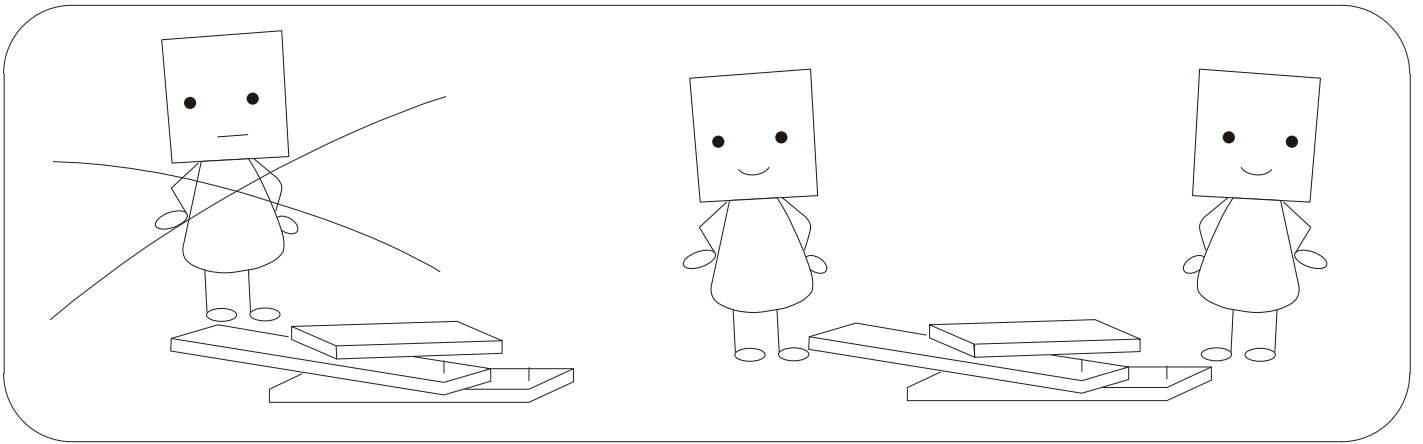
# ASSEMBLY INSTRUCTION



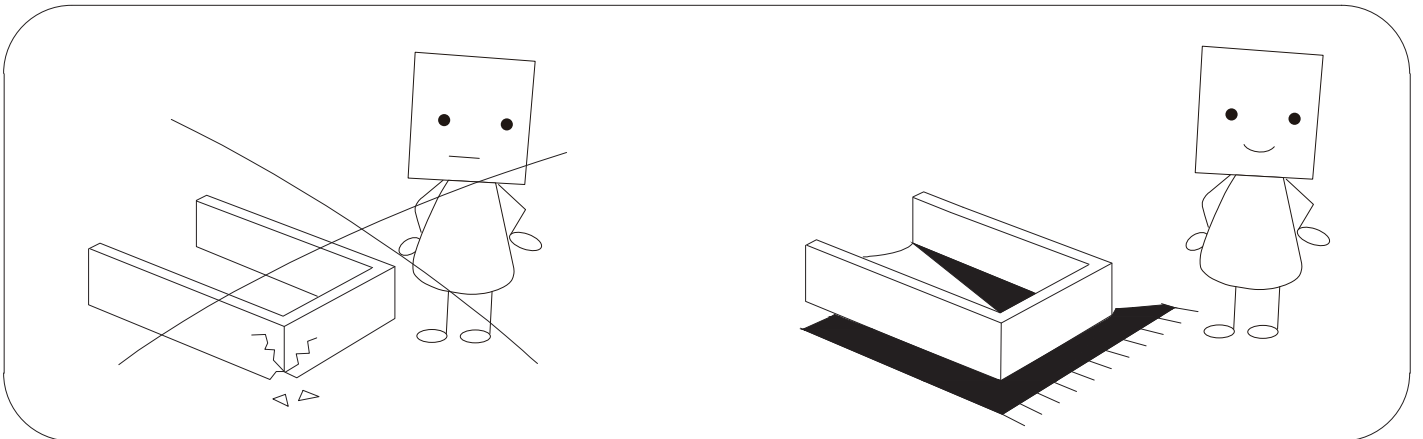


# WARNING

Need Two Or More People To Complete

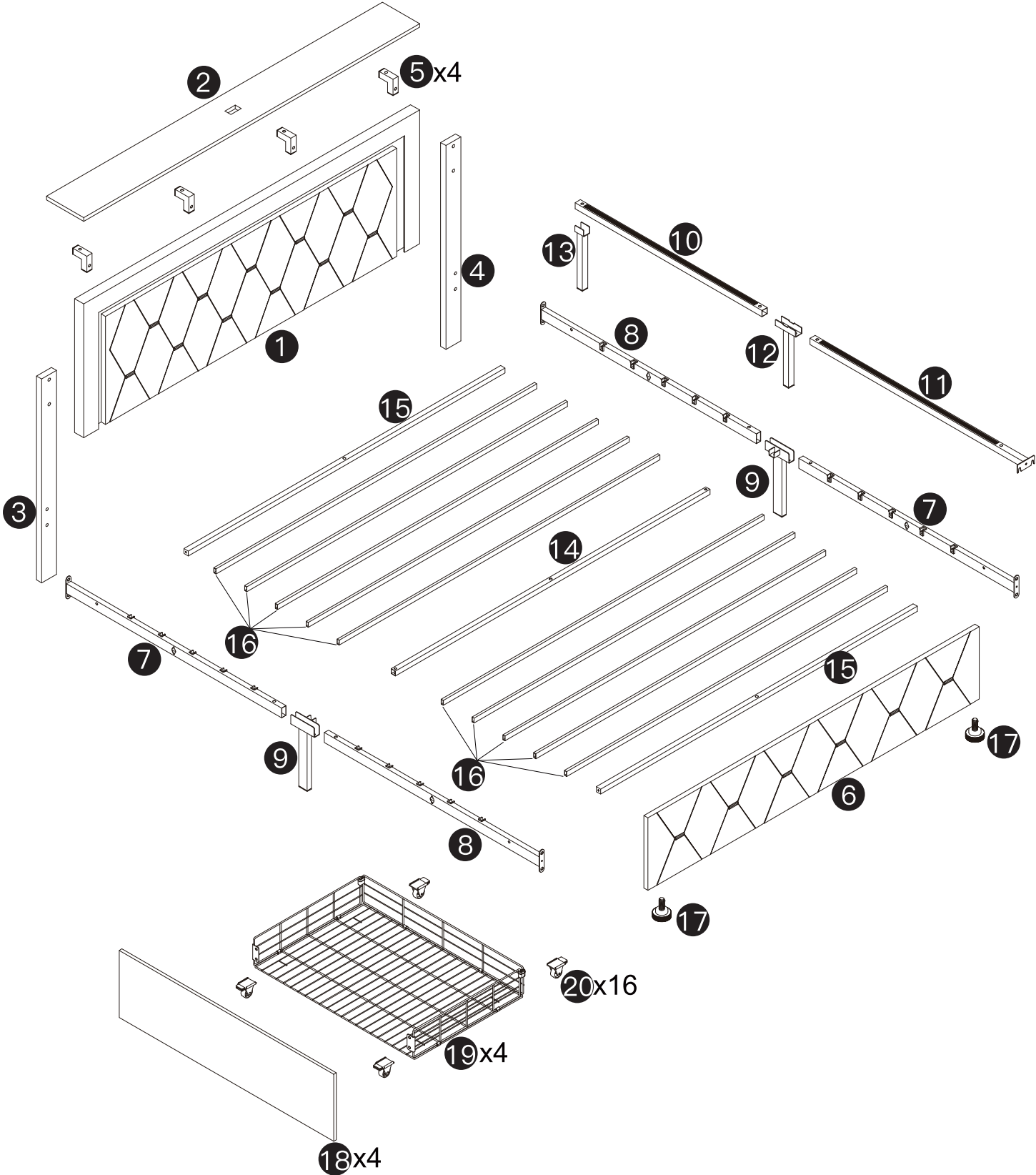


Assemble Item On a Clean Flat Surface



- Please check you have all hardware before assembling.
- Please ensure you have the name of the item and hardware part required and quantity.
- If you have any questions, please contact us by original purchase platform. we will reply you ASAP.

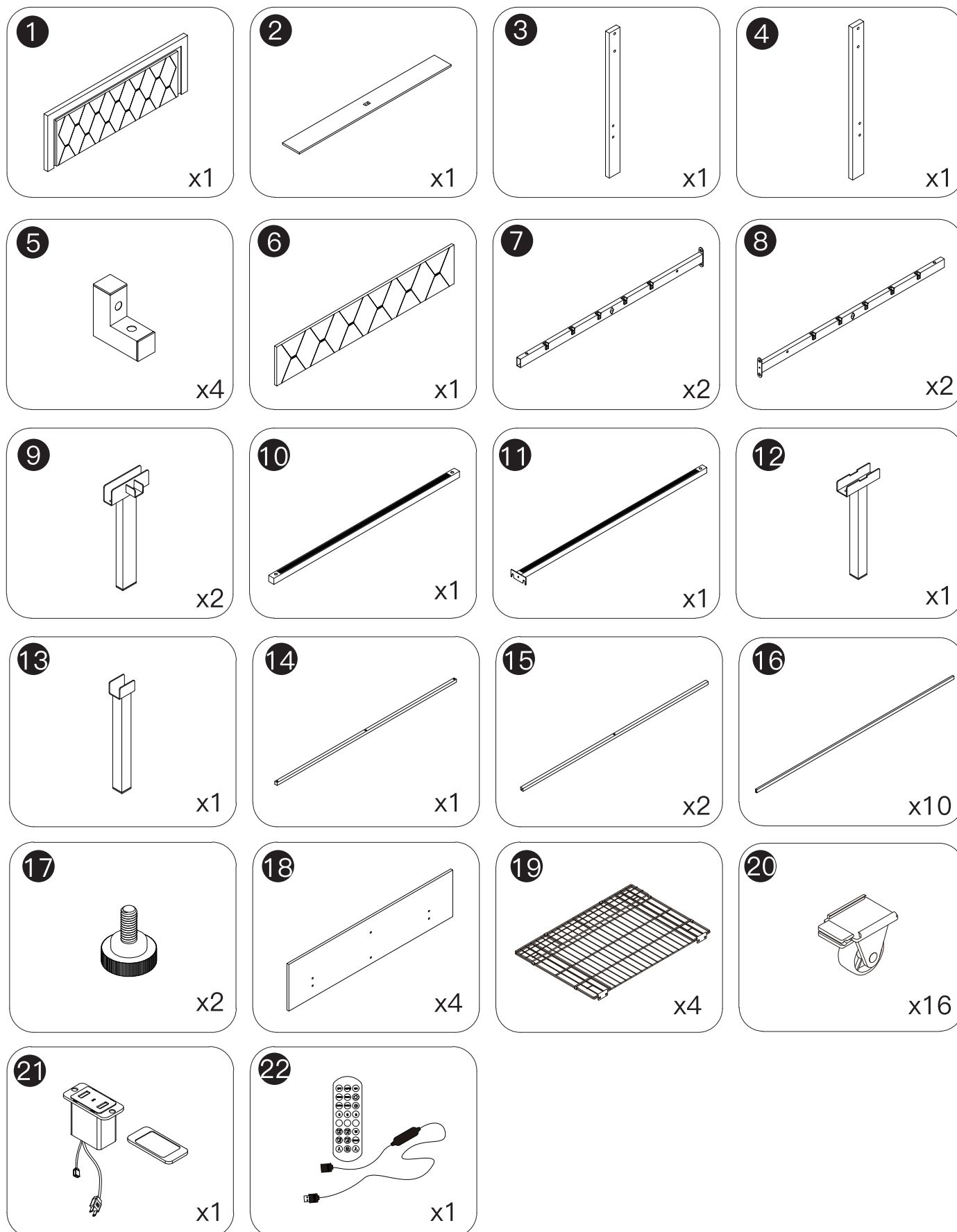
# EXPLODED DRAWING:

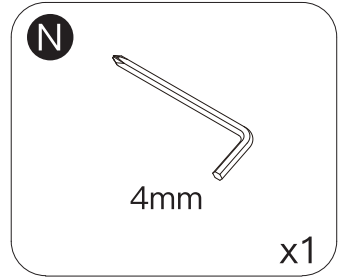
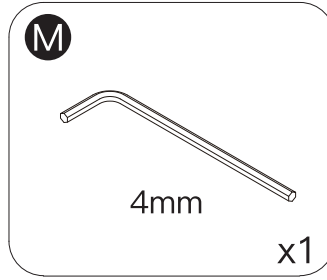
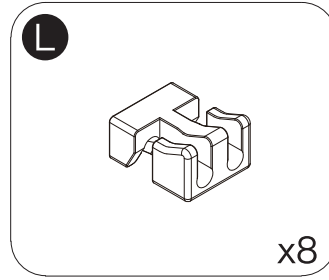
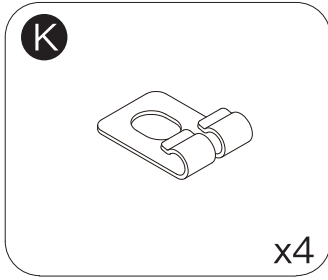
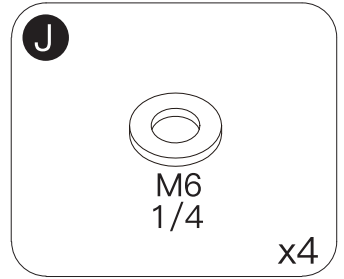
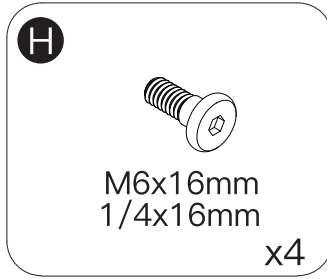
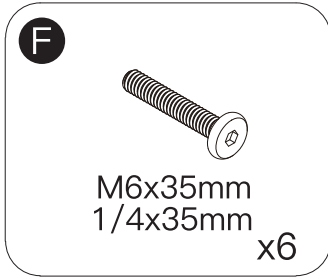
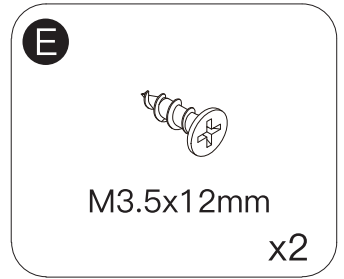
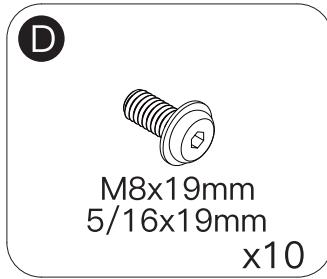
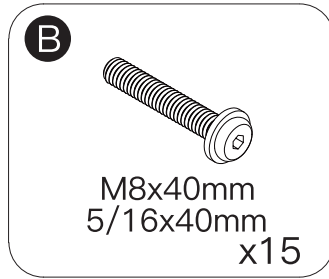
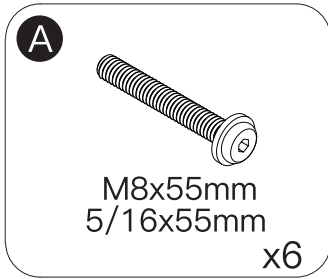


Please check all parts and accessories according to the parts list before assembling, make sure all contents are sufficient and in good condition.

If there is any parts missing or defective, please contact us with purchase platform message immediately to get replacement parts.

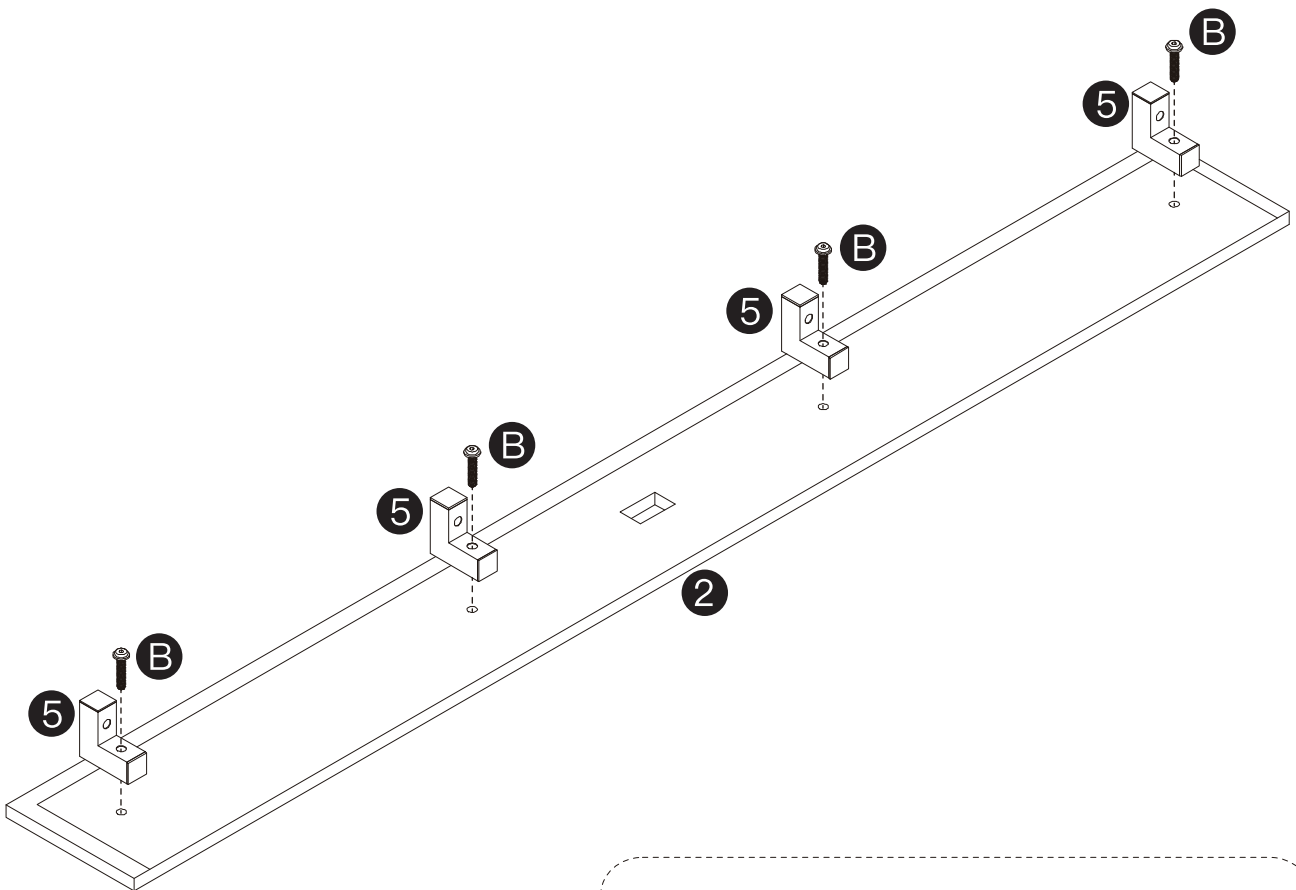
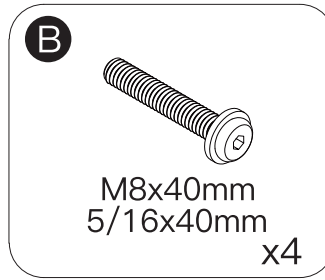
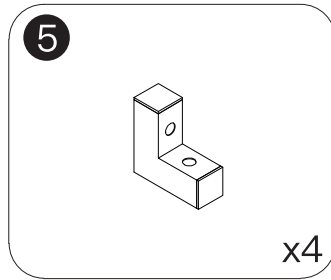
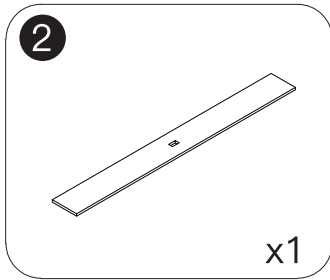
## PARTS:





# HOW TO INSTALL

## STEP 1

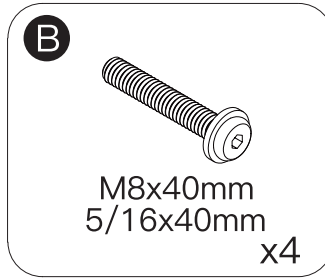
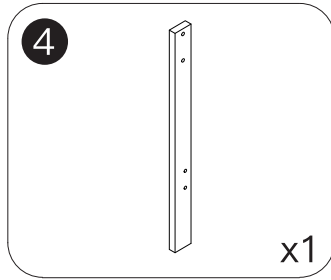
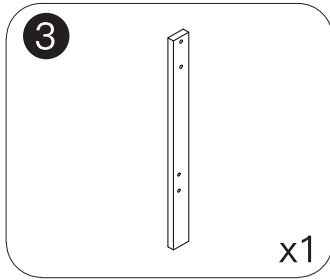


### NOTICE:

Please do not tighten the screw until the other half of part **B** is also locked.

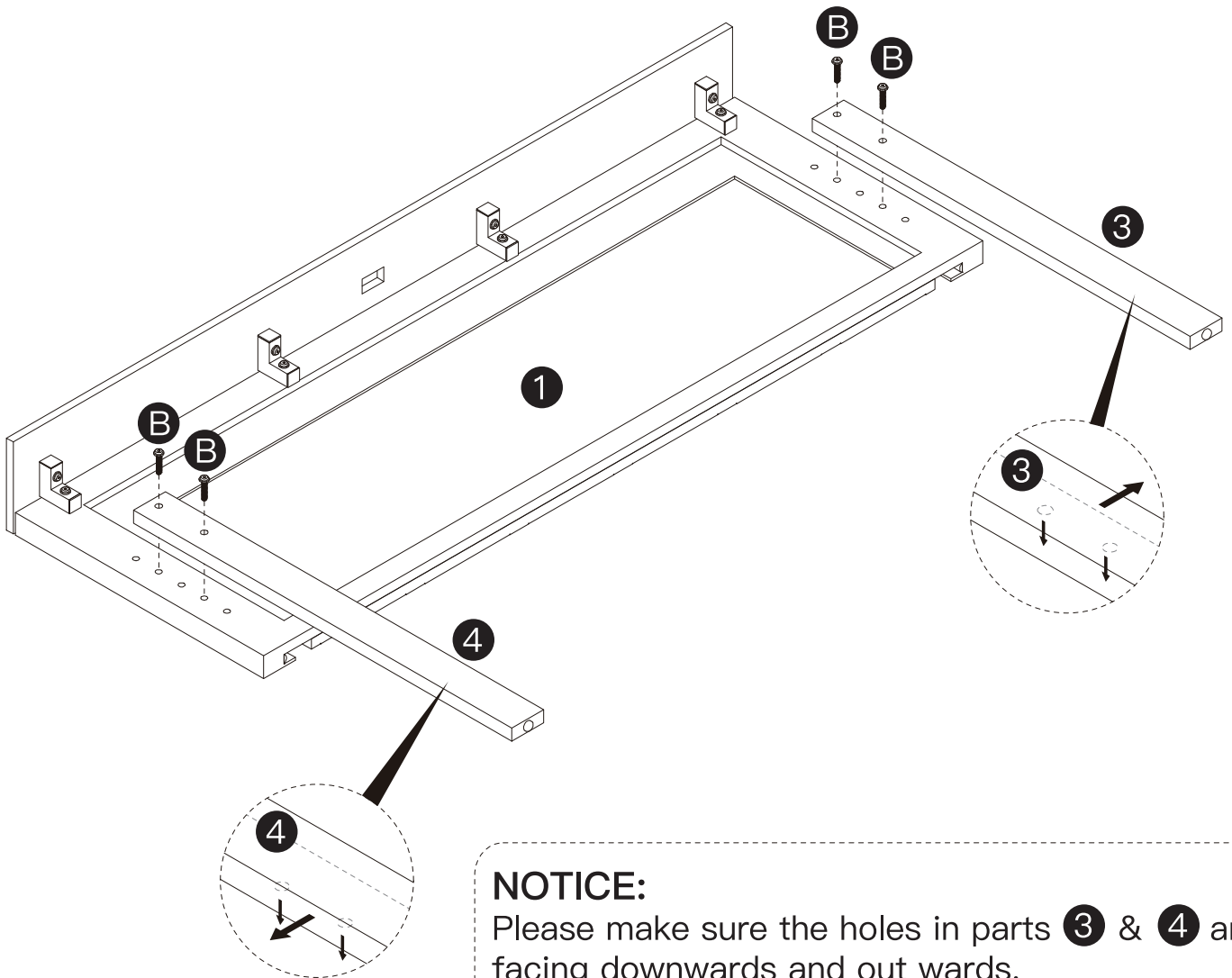


# STEP 3



## NOTICE:

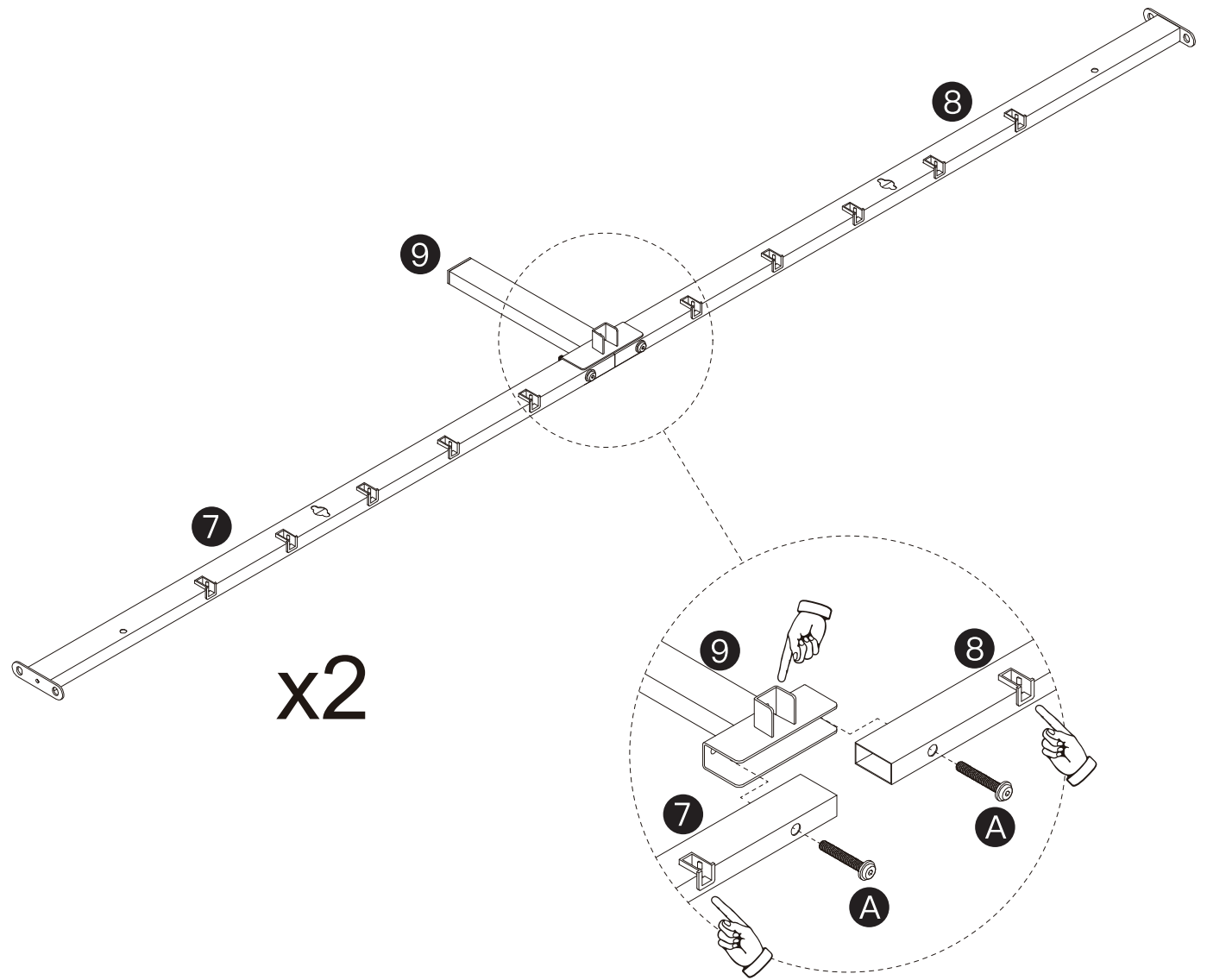
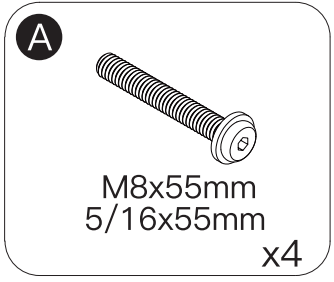
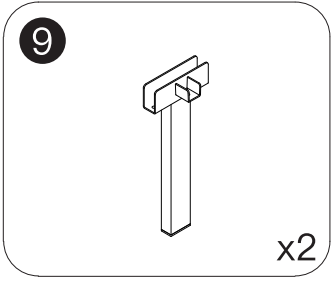
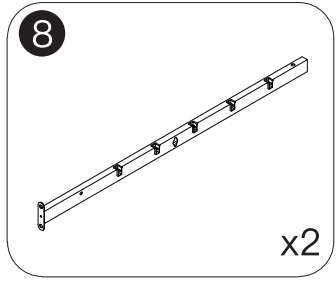
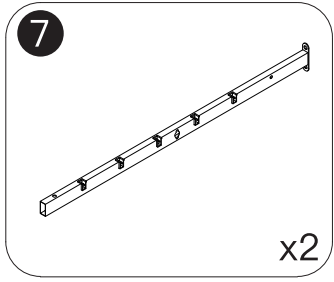
The position of the parts 3 & 4 can be adjusted.  
Keep parts 3 & 4 installed at the same height.



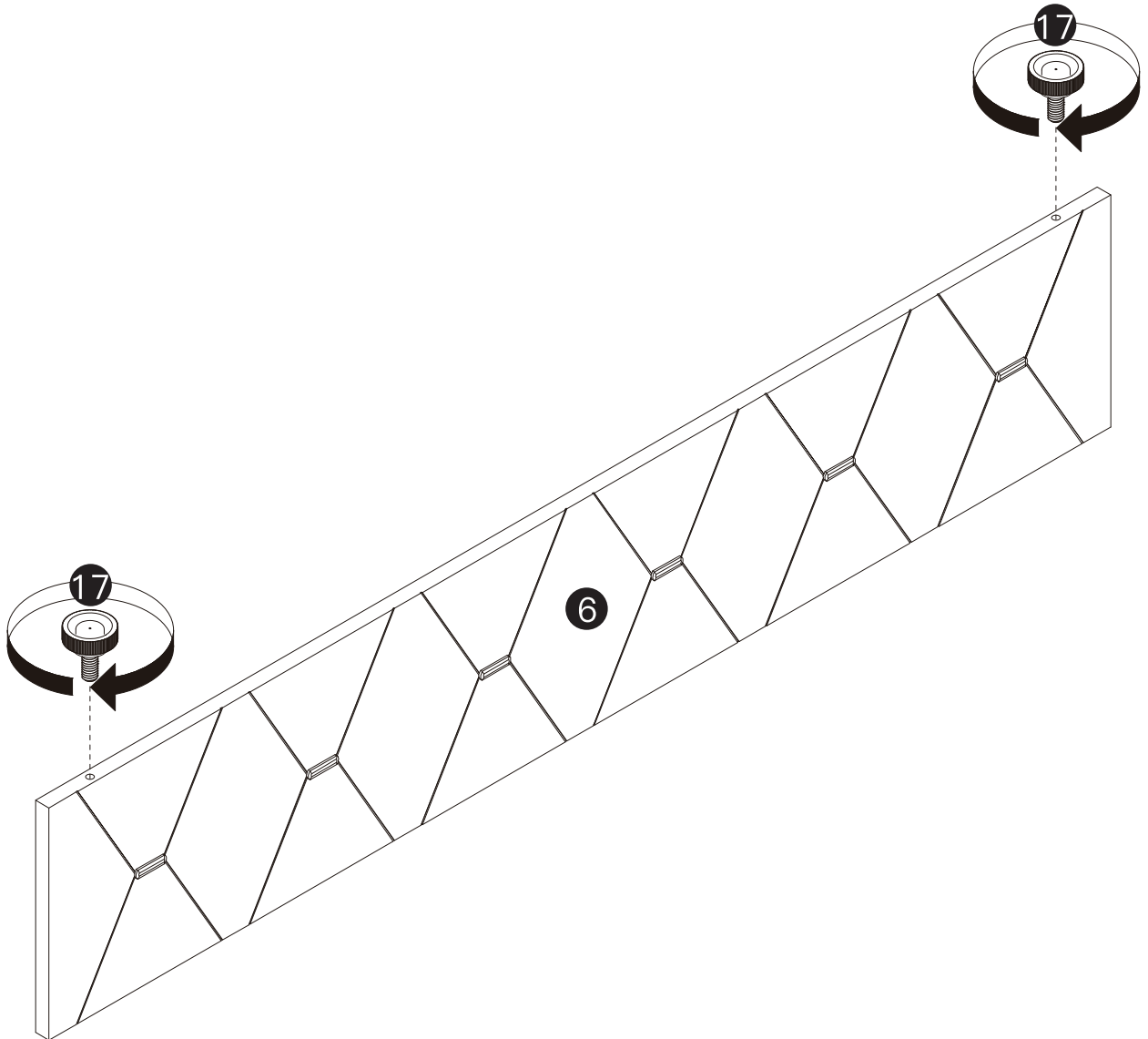
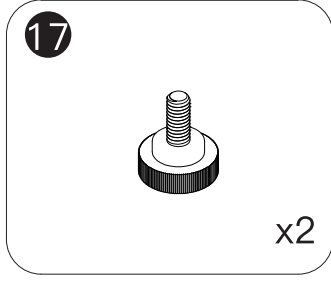
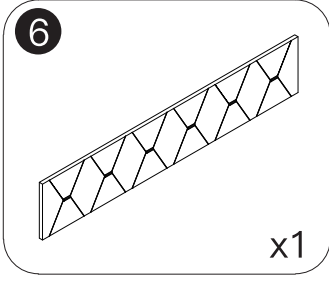
## NOTICE:

Please make sure the holes in parts 3 & 4 are facing downwards and outwards.

# STEP 4

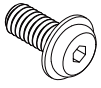


# STEP 5

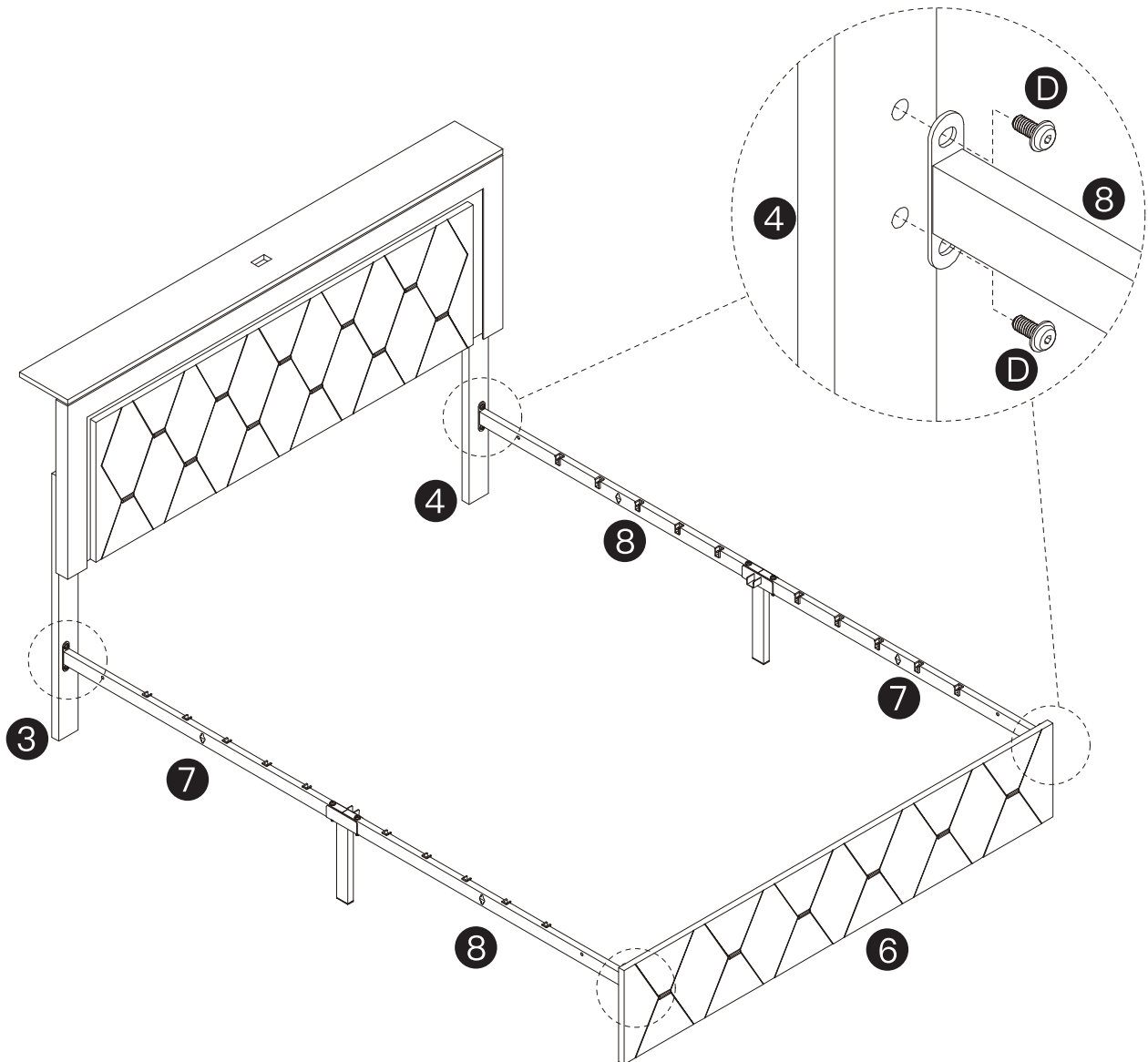


# STEP 6

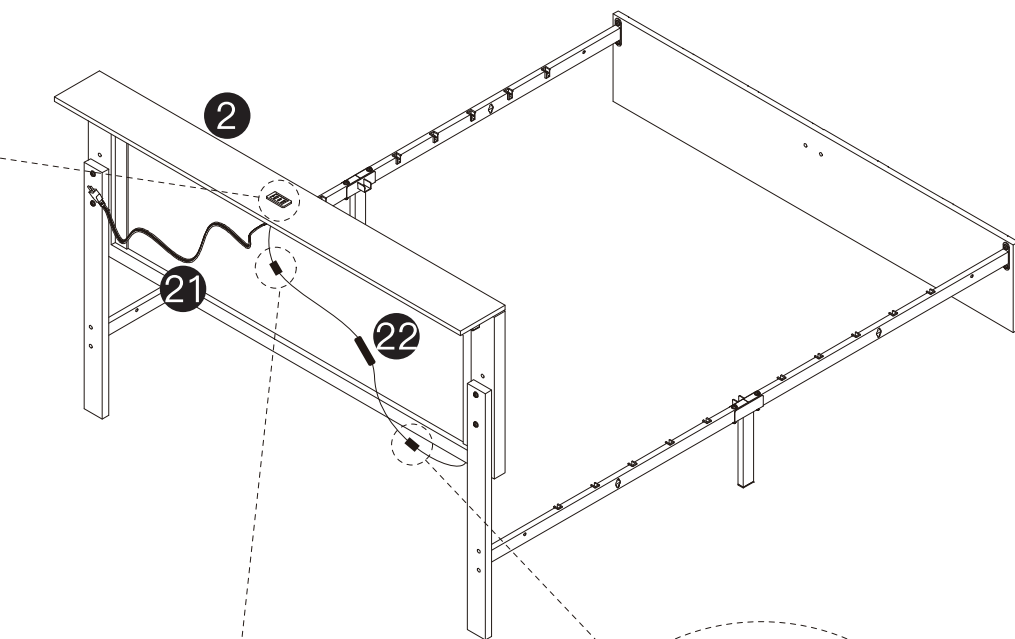
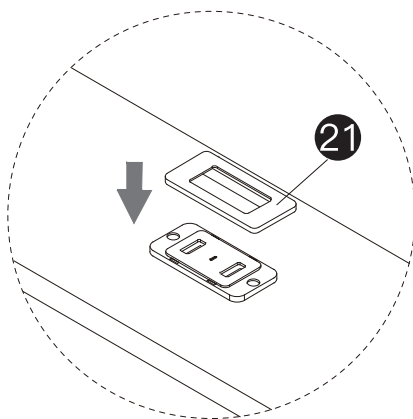
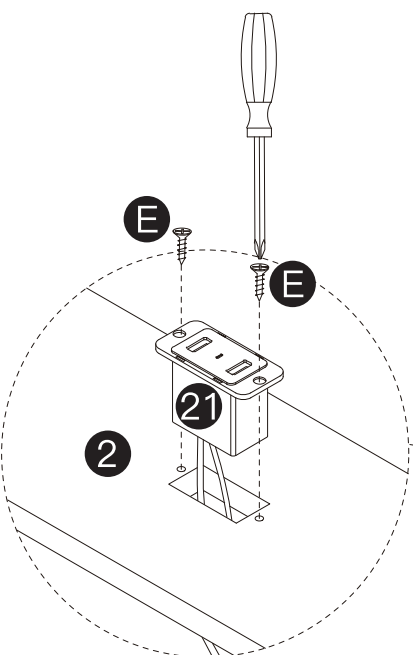
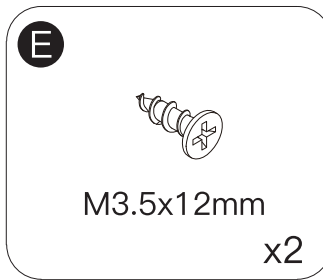
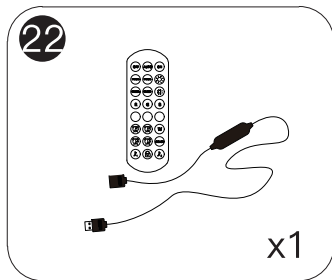
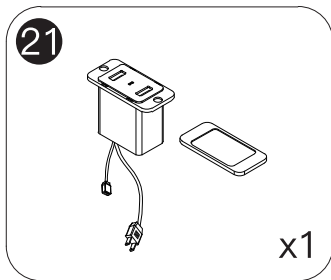
D




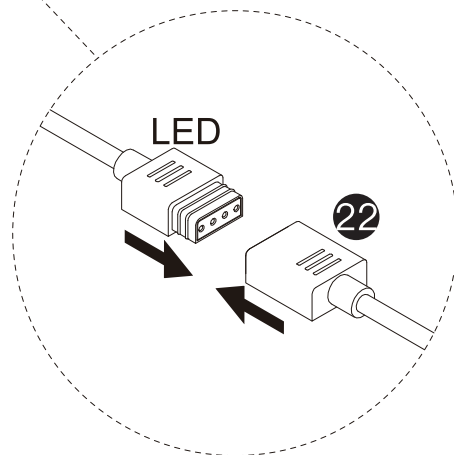
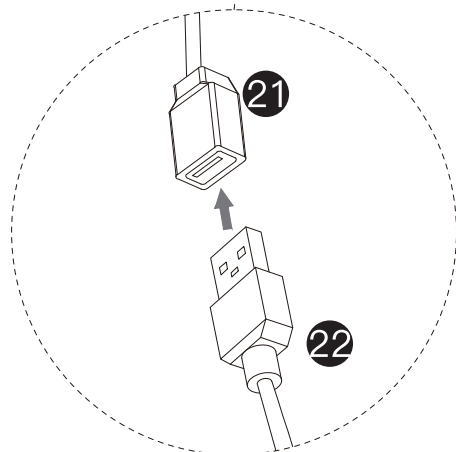
M8x19mm  
5/16x19mm  
x8



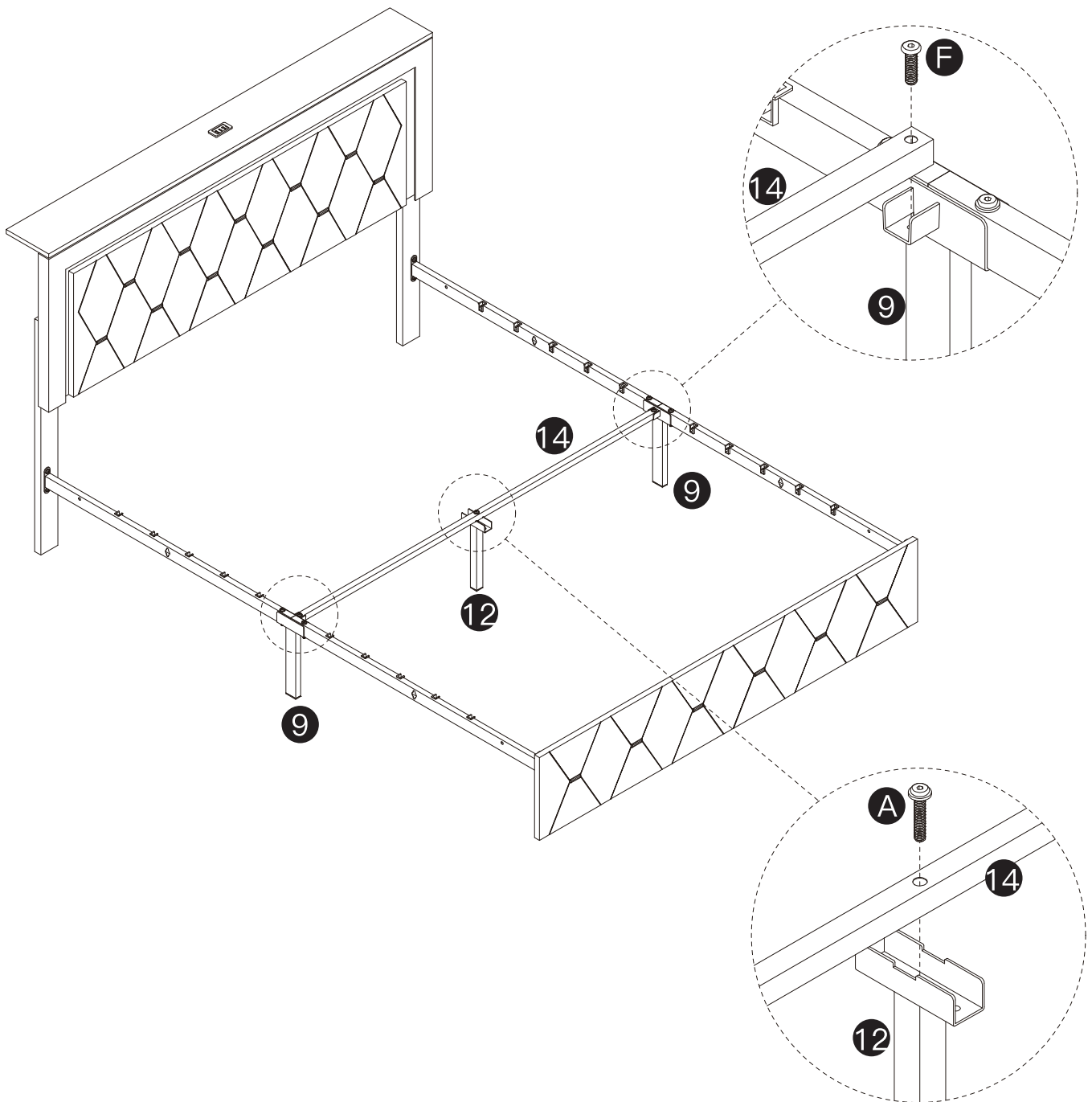
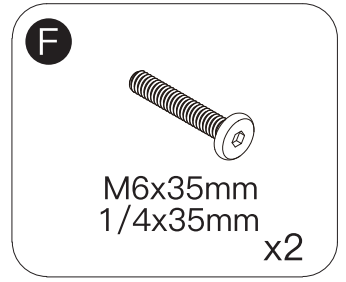
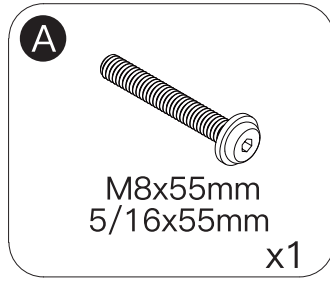
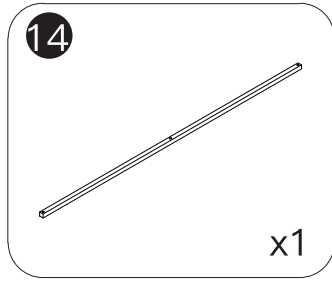
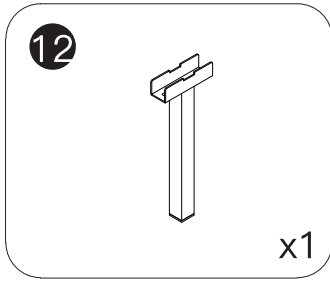
# STEP 7



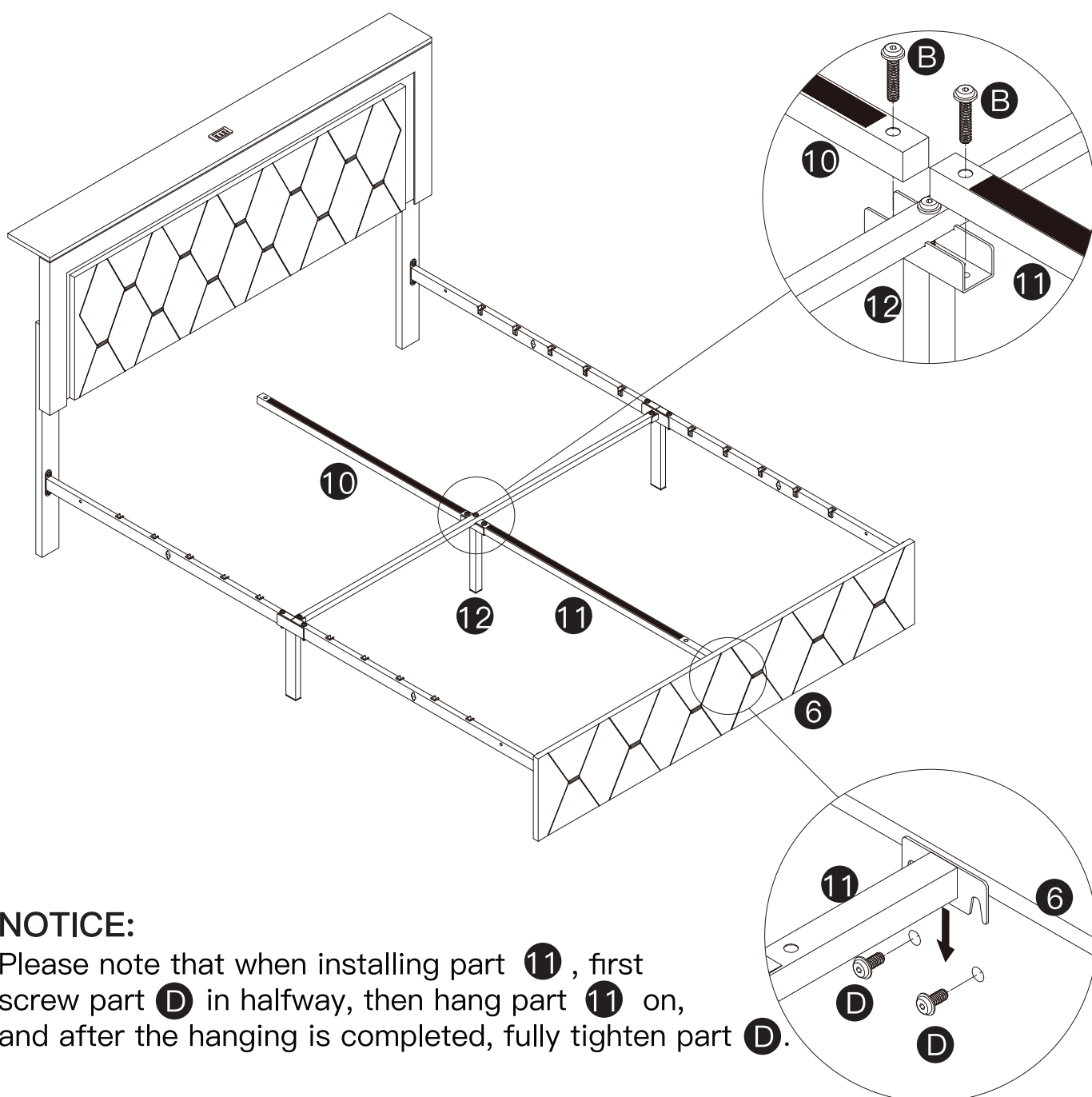
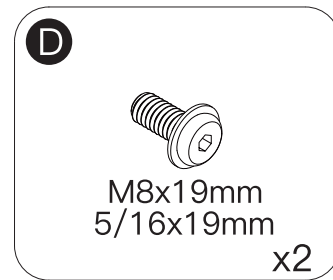
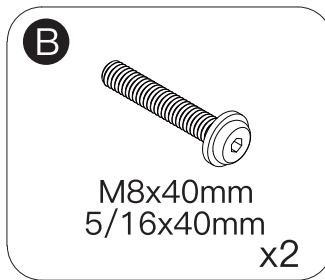
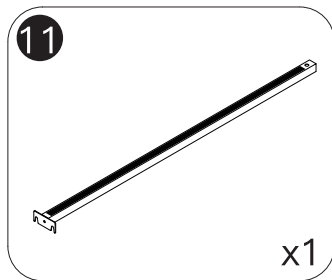
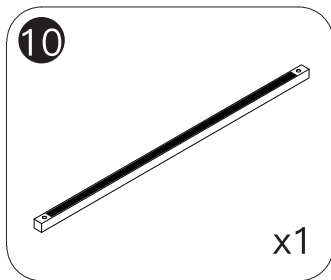
**NOTICE:**  22  
When you use the remote control board to control the color of the light, Please remove the clear plastic card.



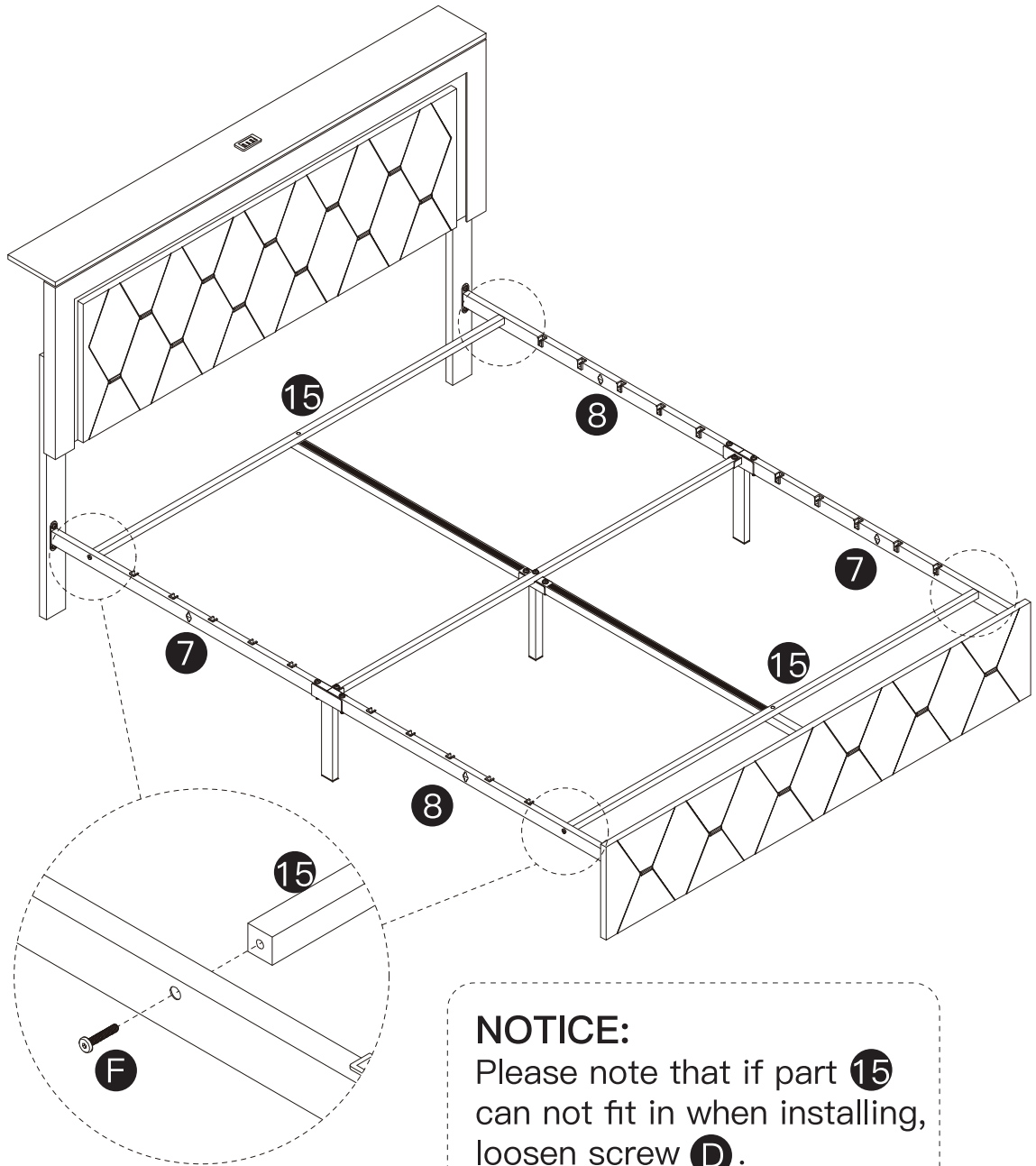
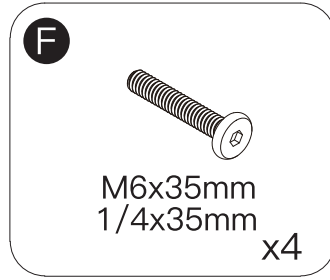
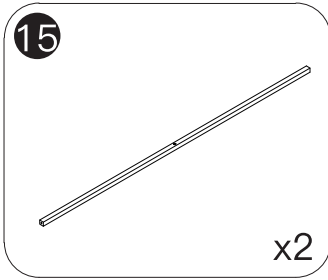
# STEP 8



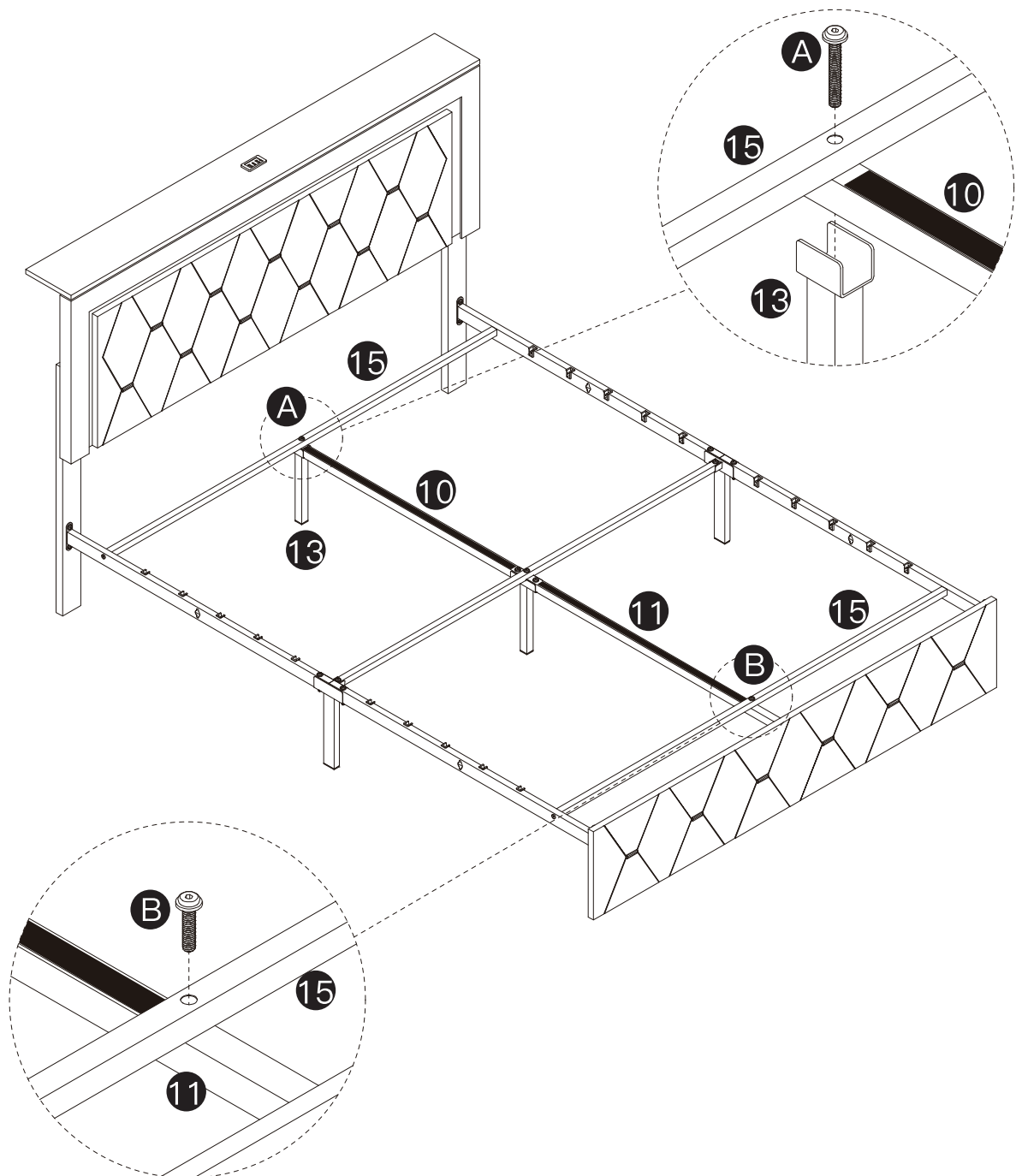
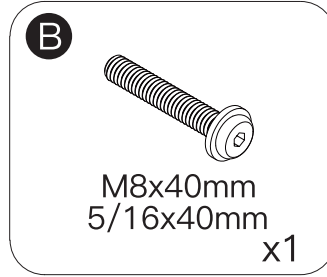
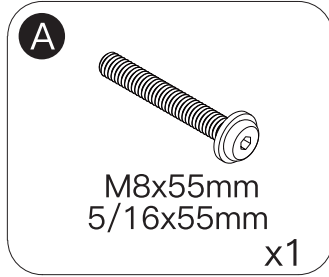
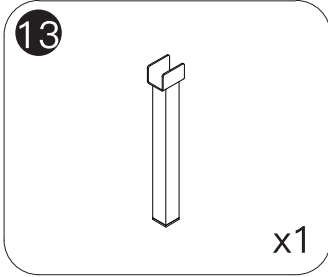
# STEP 9



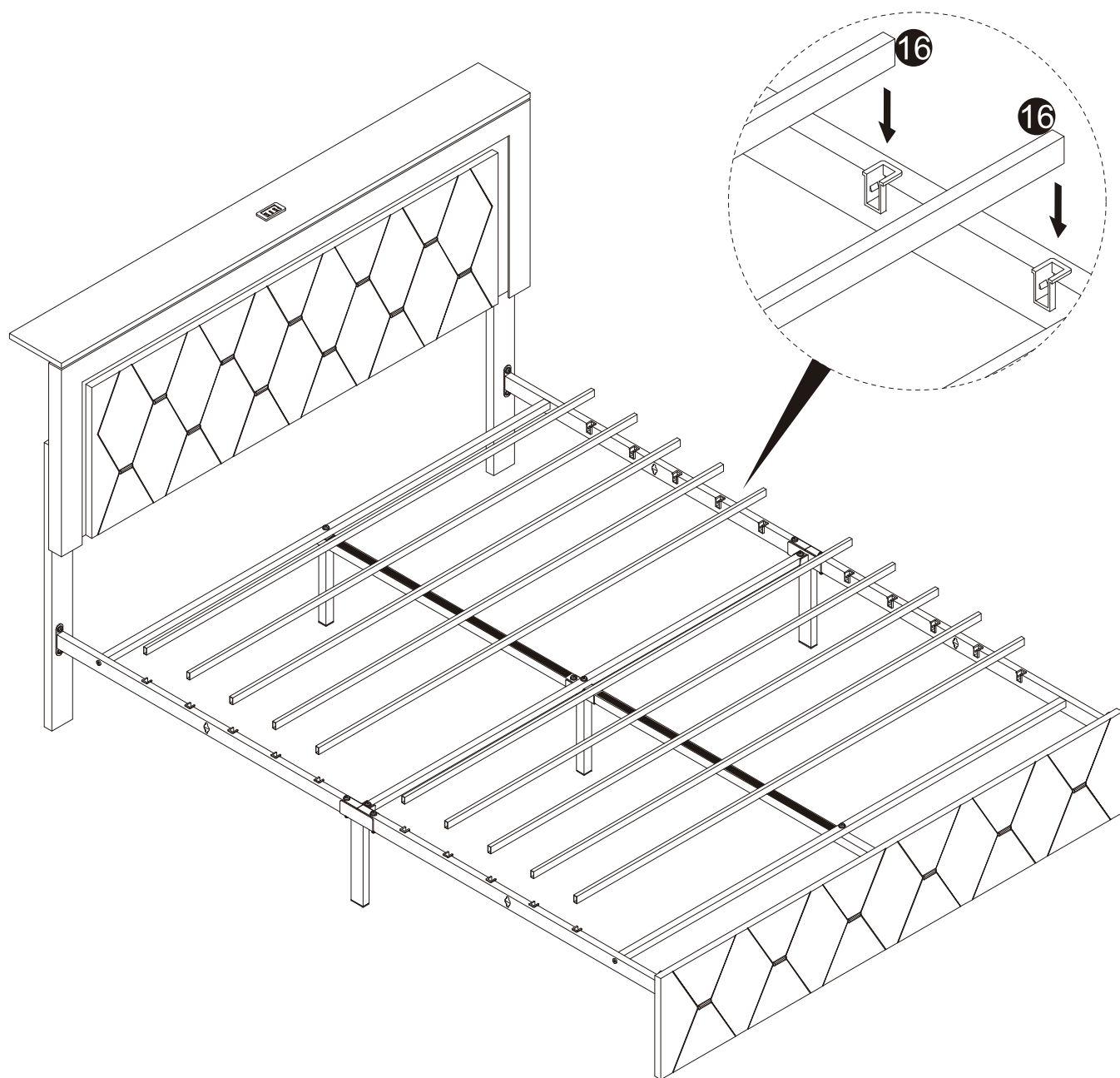
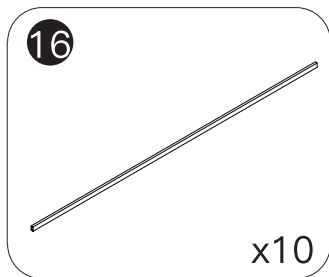
# STEP 10



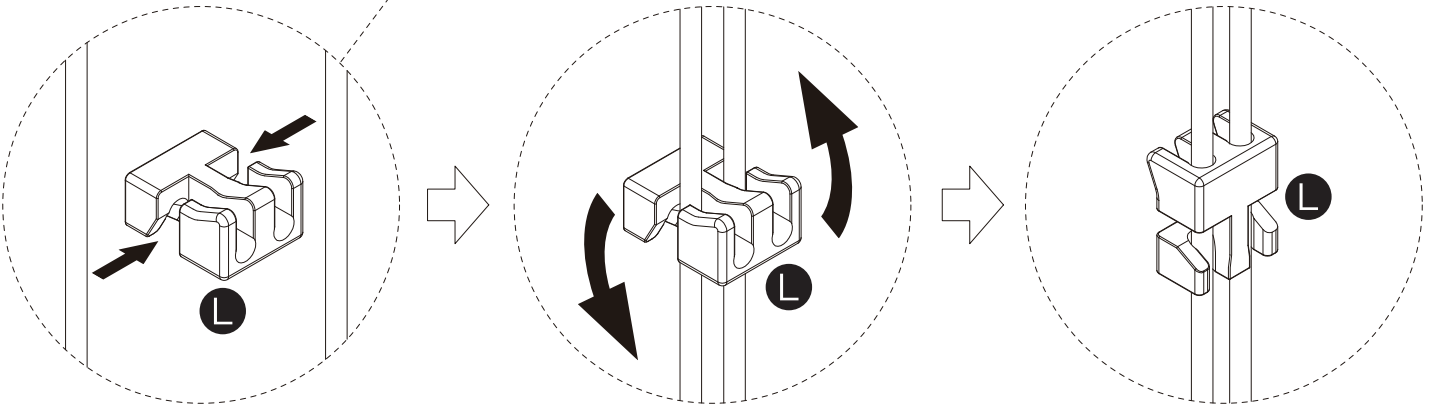
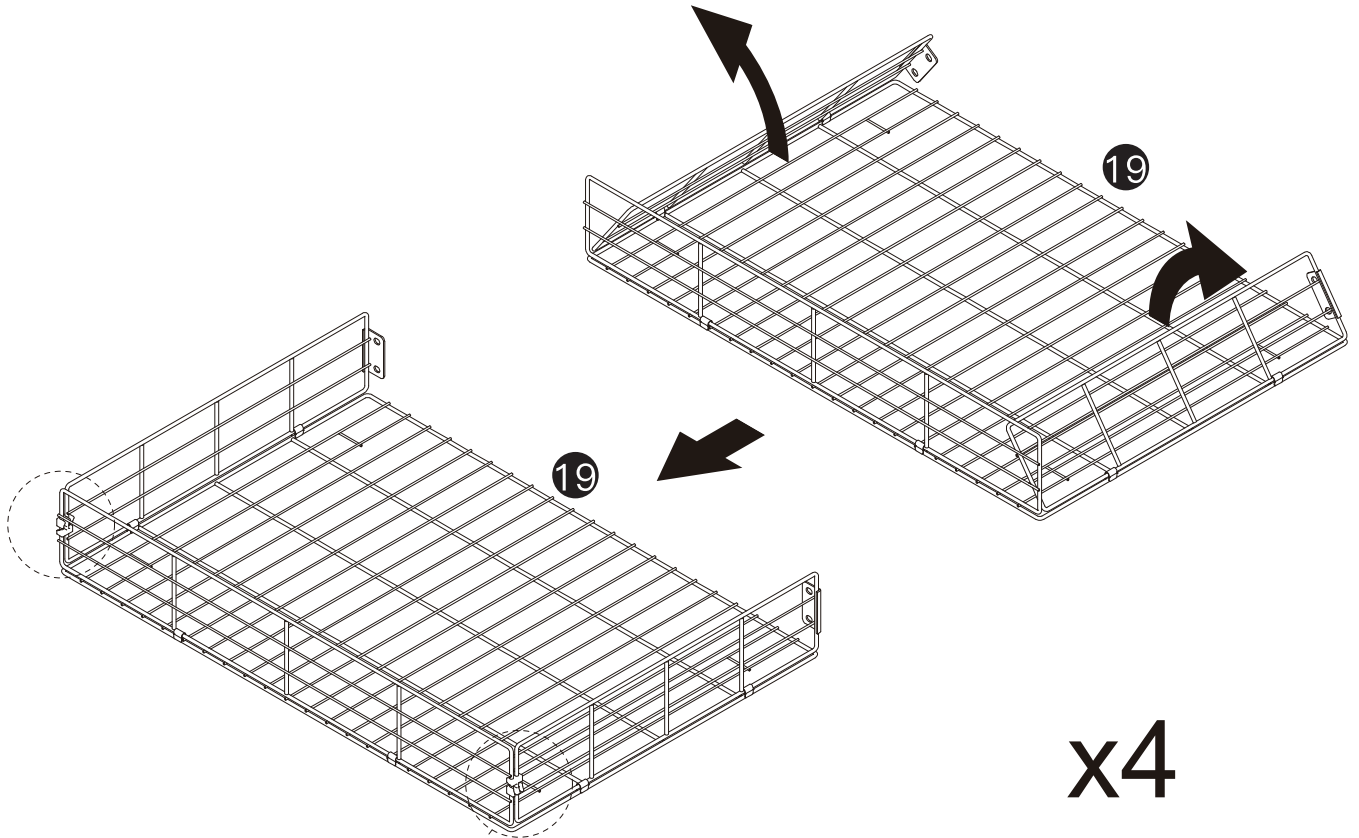
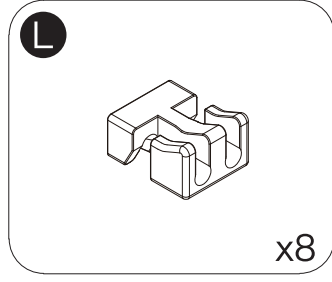
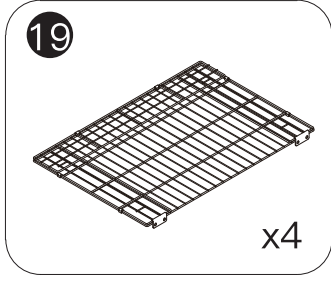
# STEP 11



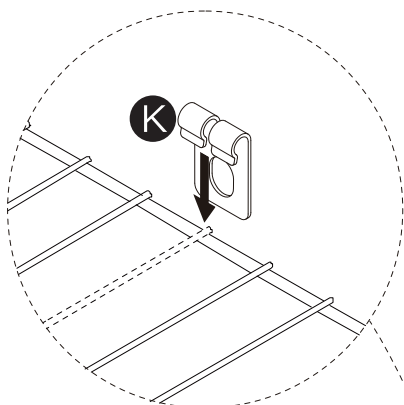
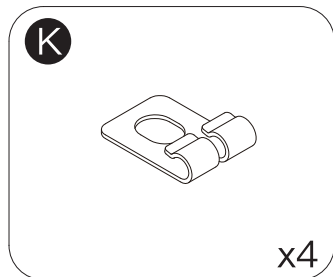
# STEP 12



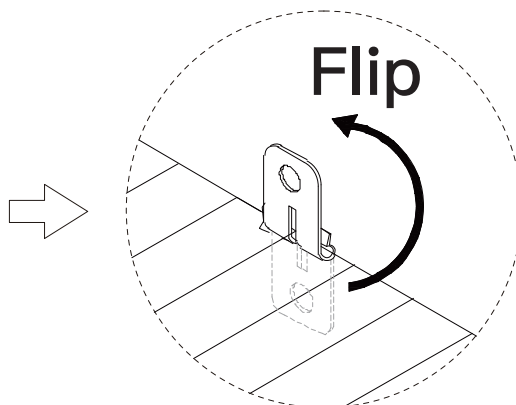
# STEP 13



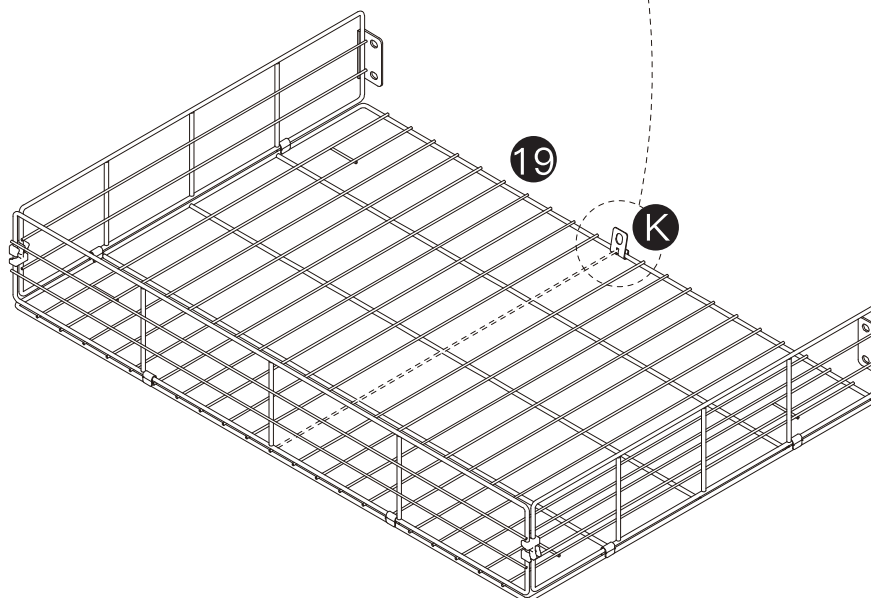
# STEP 14



1: As shown in the picture, please clip the **K** in the middle of the iron mesh drawer.

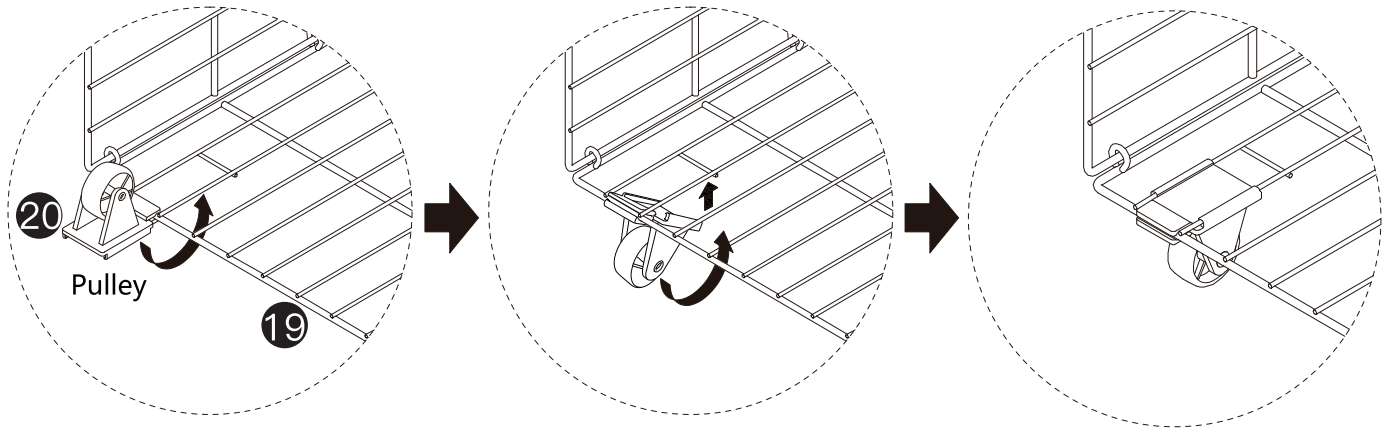
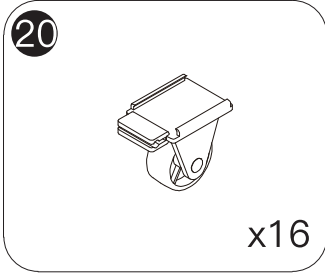


2: Flip it and turn it over.



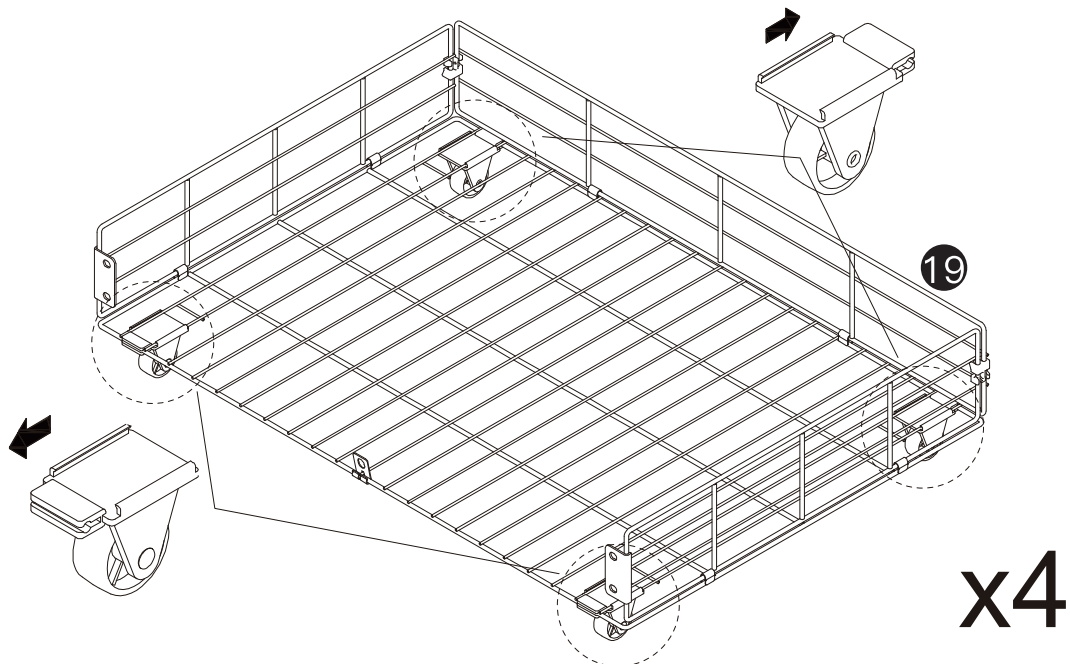
x4

# STEP 15



1. Please Clip the wheels on the big iron wire first, As shown in the figure.

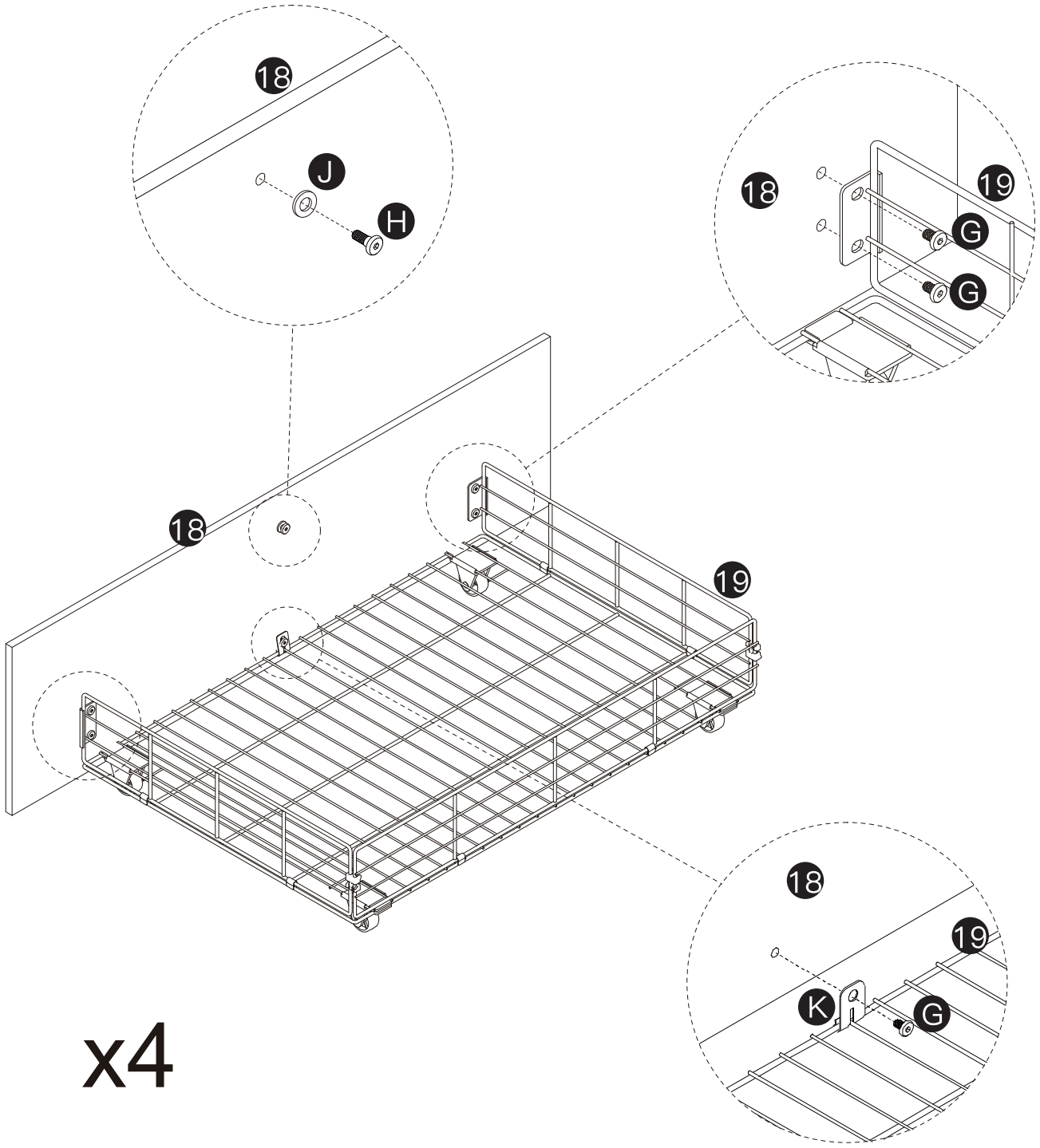
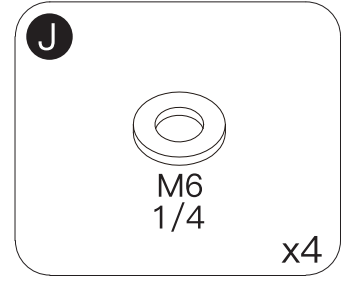
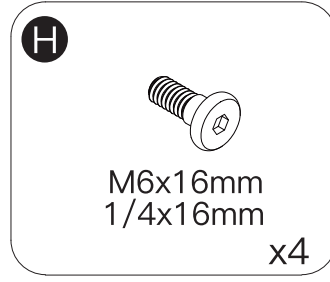
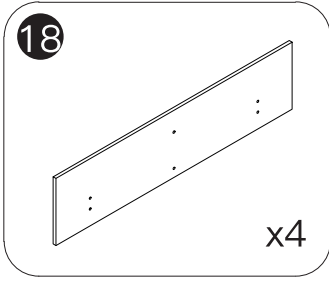
2. Please turn the wheel over, keep the plastic plate of the wheel between the two wires, and then press hard so that the wires are stuck into the plastic plate. This requires some strength.



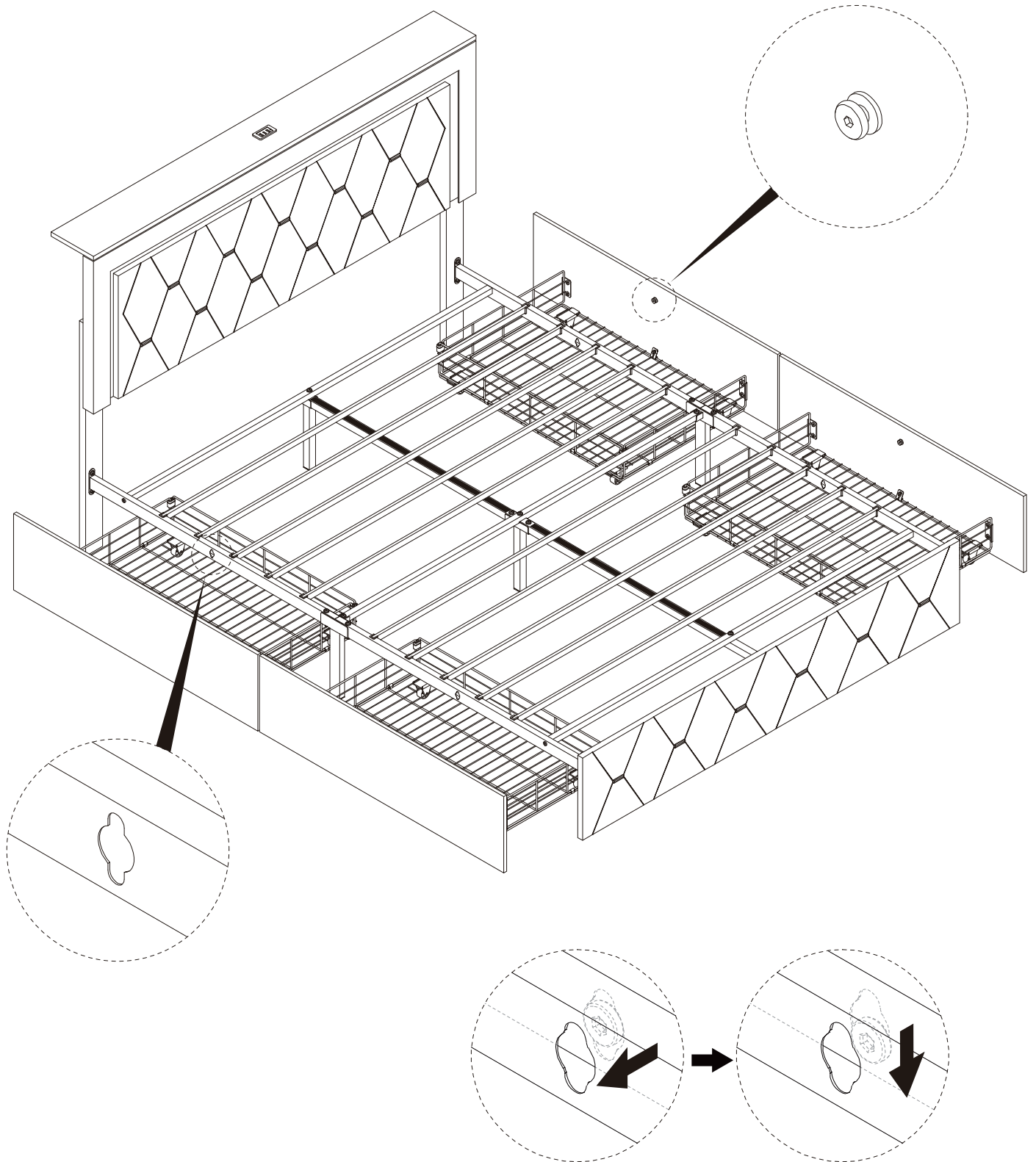
## NOTICE:

Place the drawer in the right way as picture shows, it would help you assemble drawer easily.

# STEP 16



# STEP 17

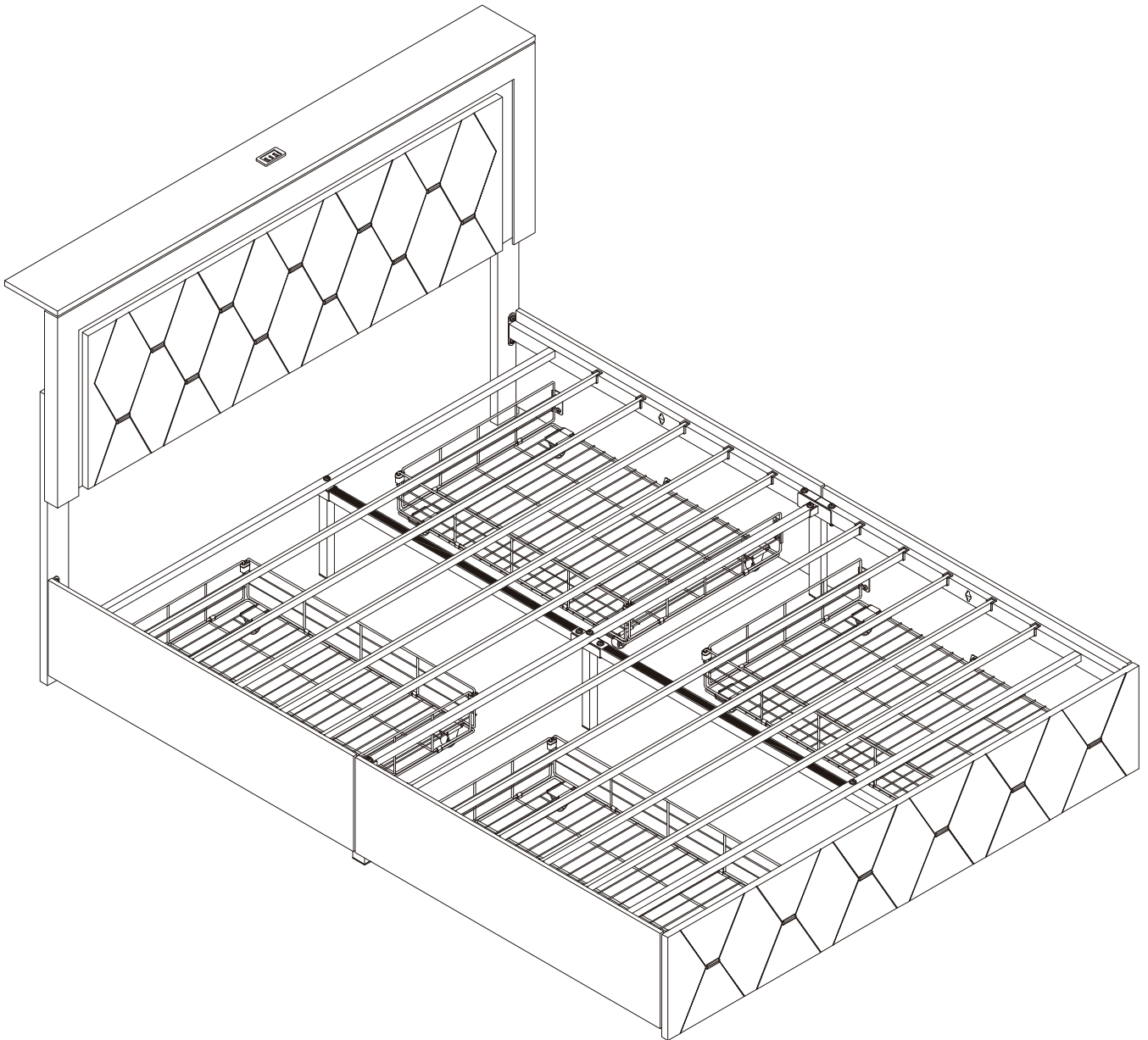


Hang the screw of the drawer panel into this slot to secure the drawer.

# STEP 18

## Warm Tips

- (1) Please place the assembled bed against the wall.
- (2) **Do not** jump or play on the bed.
- (3) For your safety, please **do not** crawl under the bed.



## After-Sale Support

**Dear Customer,**

Thank you for choosing to purchase our products! We attach great importance to your shopping experience and hope to ensure that you are satisfied with this purchase.

Should you have any questions, please contact us through the original purchase platform. We will reply your messages as soon as possible, please kindly wait for the response from our team.

Thank you again for your understanding and support! If you have any other questions, please feel free to contact us at any time.

Best Regards,  
After sales service team