

Features

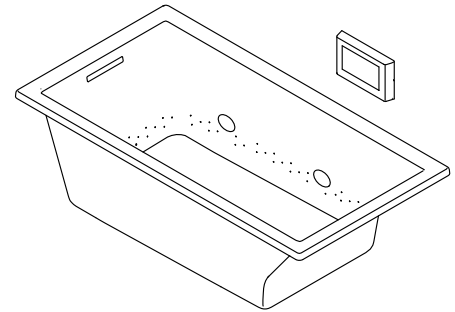
- Six transducers and a control amplifier with 25' (7.6 m) of wiring.
- User-friendly high-resolution color touch screen (in polished chrome).
- 122 BubbleMassage™ airjets.
- With Zones of Control™ feature.
- Blower motor with 300 W heater.
- Slotted overflow for maximum bathing depth.
- Molded lumbar support for comfort.
- Available with four chromatherapy lights and Bask™ heated surface with three temperature settings.
- Reversible drain.
- 66 " (1676 mm) x 36 " (914 mm) x 22 " (559 mm)

Material

- Acrylic

Installation

- Drop-in or under-mount installation.



Codes/Standards











ASME A112.19.7/CSA B45.10
CSA B45.5/IAPMO Z124
ASTM E162
ASTM E662
UL 1795

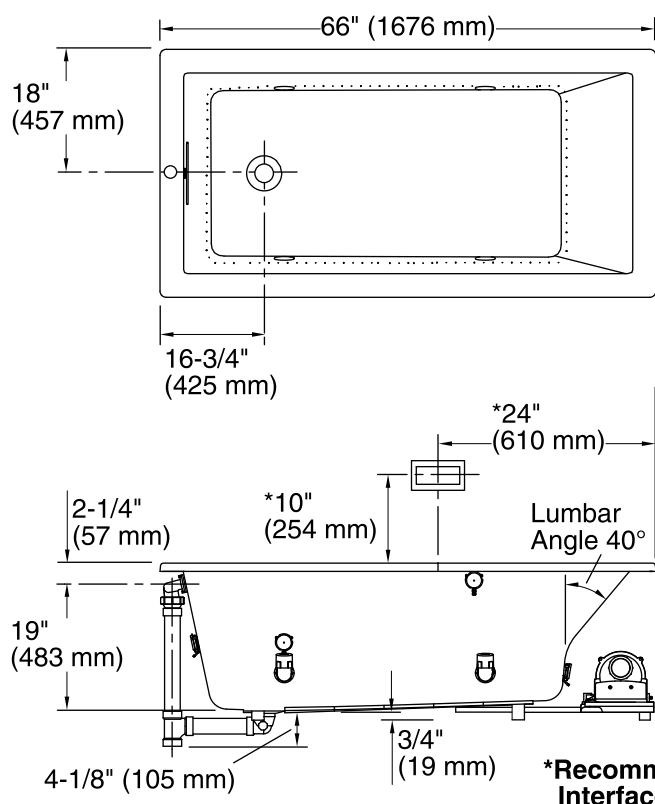
KOHLER® One-Year Limited Warranty

See website for detailed warranty information.

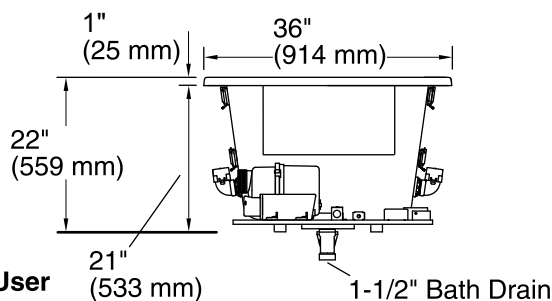
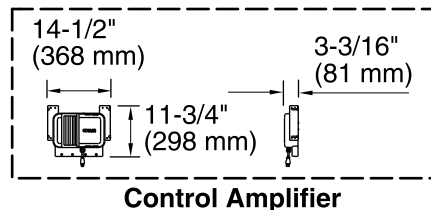
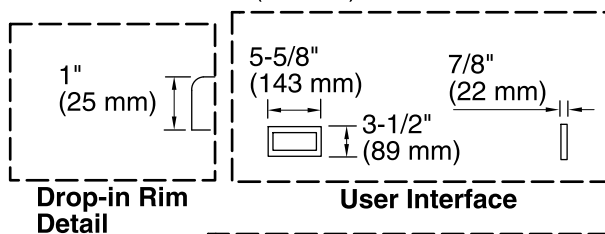
Available Color/Finishes

Color tiles intended for reference only.

Color	Code	Description
	0	White
	96	Biscuit
	47	Almond
	NY	Dune
	95	Ice™ Grey
	G9	Sandbar
	33	Mexican Sand™
	K4	Cashmere
	58	Thunder™ Grey
	7	Black Black™



No change in measurement if connected with drain illustrated. (K-7272)



Required Electrical Service

One dedicated circuit required, protected with Class A Ground-Fault Circuit-Interrupter (GFCI) or Residual Current Device (RCD).

Blower, Amplifier, 120 V, 15 A, 60 Hz
 Heater:

Technical Information

All product dimensions are nominal.

Installation:	Drop-in/Undermount
Drain location:	Reversible
Basin area, bottom:	44-1/2" x 26-1/2" (1130 mm x 673 mm)
Basin area, top:	60-1/4" x 30-1/4" (1530 mm x 768 mm)
Weight:	115 lbs (52.2 kg)
Minimum floor load:	64 lbs/ft² (312.5 kg/m²)
Water depth:	17-3/4" (451 mm)
Water capacity:	102 gal (386.1 L)
Cutout:	Drop-in, 65" x 35" (1651 mm x 889 mm)
Under-mount kit:	K-591
Electrical rating:	Blower: 120 V, 10 A, 60 Hz, 300 W Amplifier: 120 V, 50/60 Hz, 15 W Heater: 120 V, 0.5 A, 60 Hz, 65 W

Notes

Install this product according to the installation guide. Ensure that the bath, user interface, amplifier, and transducers are functional before completing the installation.

Control amplifier fits 16" (406 mm) center studs. 25' (7.6 m) cables are included.

Locate the bath within 24" (610 mm) of a GFCI-protected 120 V, 15 A grounded electrical outlet. A second grounded outlet within the wall framing must be within 24" (610 mm) of the planned control amplifier. One electrical service may be used for the entire bath and related electrical components.

Hot water supply should be 70% of capacity or greater. Installations will vary.