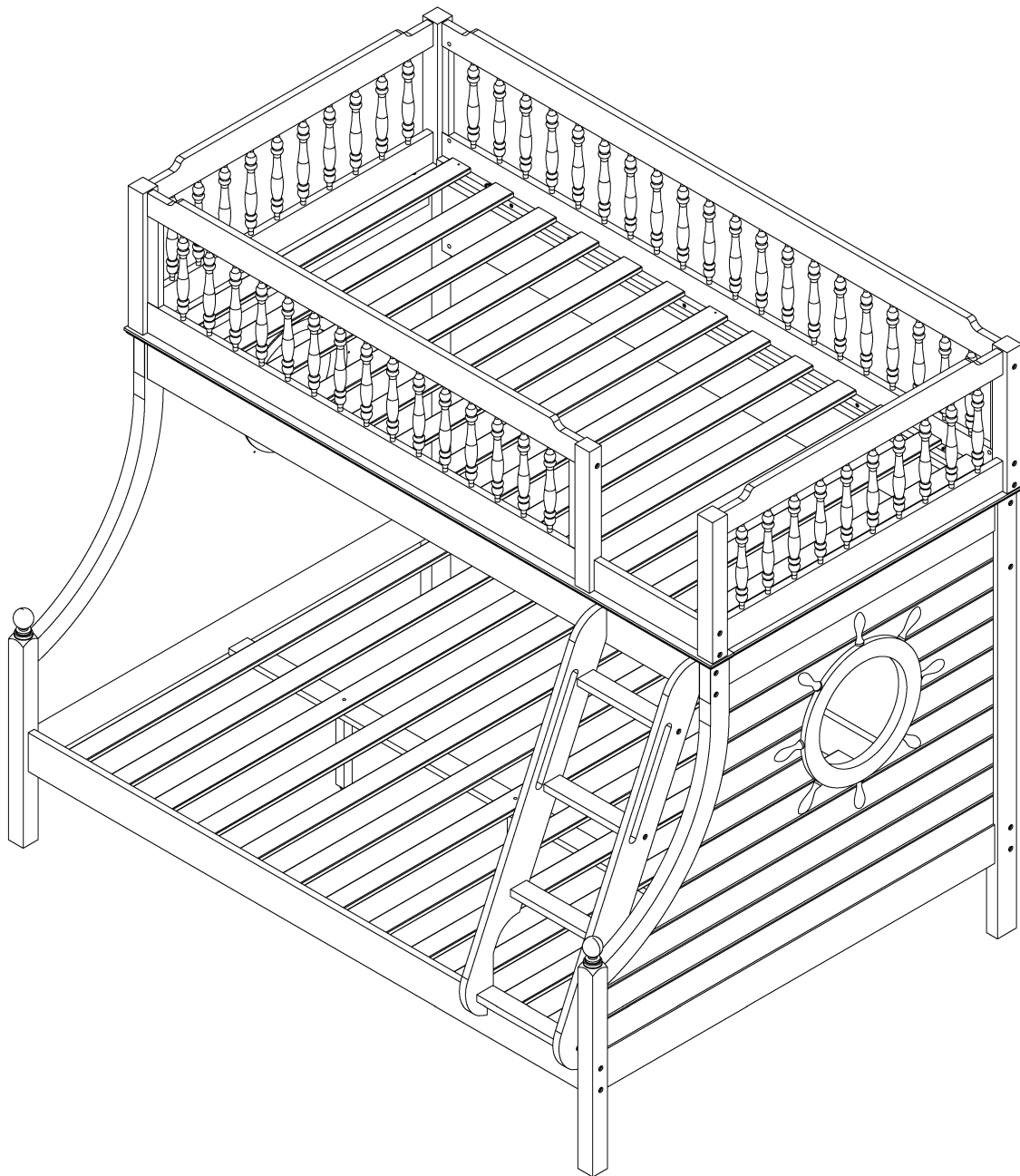
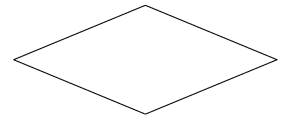


# ASSEMBLY INSTRUCTION

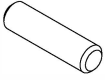
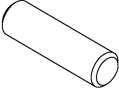
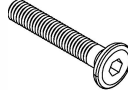
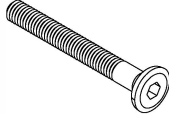
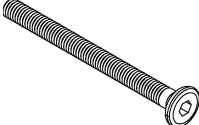
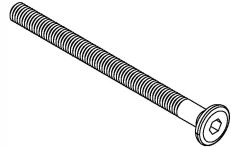

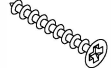
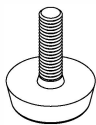
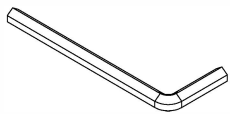


# READ THESE INSTRUCTIONS CAREFULLY BEFORE ATTEMPTING TO ASSEMBLE THIS BED.

## SAFETY WARNINGS AND GENERAL NOTES:

- Follow the information on the warnings appearing on the upper bunk bed end structure and on the carton. Do not remove the warning label from the bed.
  - Always use the recommended size mattress or mattress support, or both, to help prevent the likelihood of entrapment or falls. (See Page 12)
  - The top surface of the mattress must be at least 5" below the upper edge of the guardrails. (See Page 12)
  - Do not allow children under 6 years of age to use the upper bunk.
  - Periodically check and ensure the guardrail, ladder and other components are in their proper position, free from damage, and all connectors are tight.
  - Prohibit horseplay on or under the bed. Always prohibit jumping on the bed.
  - Prohibit more than one person on upper bunk.
  - Always use the ladder for entering and leaving the upper bunk.
  - Do not use substitute parts. Contact the manufacturer or dealer for replacement parts.
  - Use of a night-light may provide added safety precaution for a child using the upper bunk.
  - Always use guardrails on both long sides of the upper bunk.
  - If the bunk bed will be placed next to a wall, the guardrail that runs the full length of the bed should be placed against the wall to prevent entrapment between the bed and the wall.
  - The use of water or sleep flotation mattresses is prohibited.
  - Keep these instructions for future reference.
  - We recommend assembling your bunk bed on the shipping carton to protect your floor or carpet. Be certain all staples are out of the box before beginning assembly on the shipping carton.
- STRANGULATION HAZARD** - Never attach or hang items to any part of the bunk bed that are not designed for use with the bed; for example, but not limited to, hooks, belts, and jumpropes.

## HARDWARE LIST

<b>A</b>  PLASTIC DOWEL (M8 x 30MM) <b>8 PCS</b>	<b>B</b>  PLASTIC DOWEL (M10 x 35MM) <b>38 PCS</b>	<b>C</b>  JCBC BOLT (M6 x 35MM) <b>10 PCS</b>
<b>D</b>  JCBC BOLT (M6 x 50MM) <b>18 PCS</b>	<b>E</b>  JCBC BOLT (M6 x 70MM) <b>15 PCS</b>	<b>F</b>  JCBC BOLT (M6 x 80MM) <b>16 PCS</b>
<b>G</b>  JRN NUT (M6 x 13MM) <b>46 PCS</b>	<b>H</b>  CSK C/B SCREW (M4 x 32MM) <b>12 PCS</b>	<b>J</b>  BASE GLIDE L190 (M6 x 23MM) <b>3 PCS</b>
<b>K</b>  ALLEN KEY (M4 x 60MM) <b>1 PC</b>		

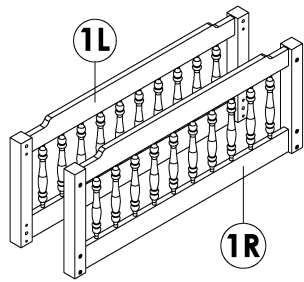
- The assembly will require at least two people to complete.
- Make sure all the fasteners are tight.
- Due to the size of this bed, It must be assembled within the space it will occupy.
- Above all, take your time and read the instruction carefully.



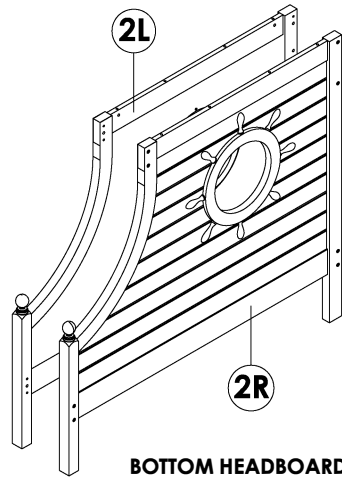
**Do not recommend the use of power drills/drivers for inserting bolts/screws as this could damage the unit.**

**Tools Required :**  
**Crosshead Screw Driver**

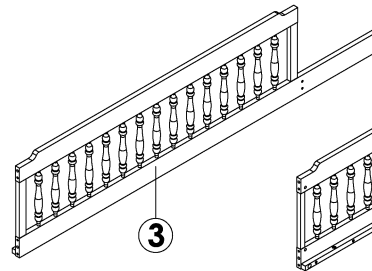
**PART LIST**



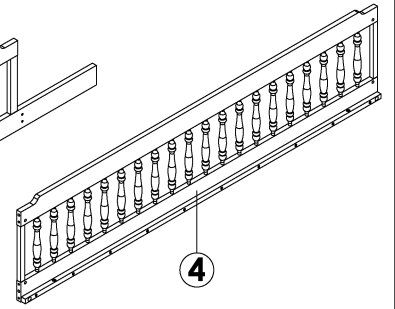
**TOP HEADBOARD**  
( 2 PCS / SET )  
CARTON 1 OF 4



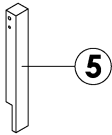
**BOTTOM HEADBOARD**  
( 2 PCS / SET )  
CARTON 2 OF 4



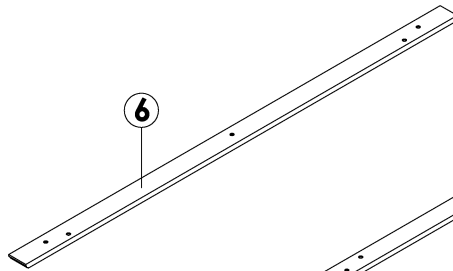
**SEMI GUARDRAIL**  
( 1 PC / SET )  
CARTON 3 OF 4



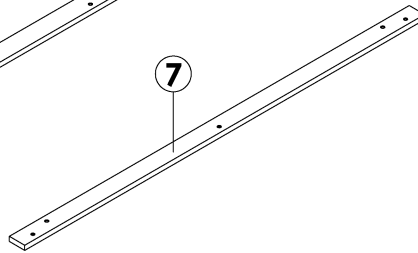
**FULL GUARDRAIL**  
( 1 PC / SET )  
CARTON 3 OF 4



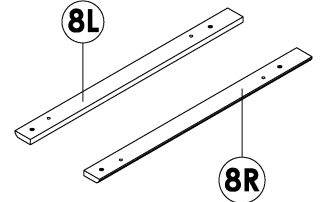
**GUARD RAIL SUPPORT**  
( 1 PC / SET )  
CARTON 3 OF 4



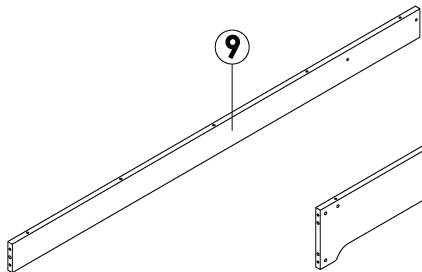
**DIVIDER (FRONT)**  
( 1 PC / SET )  
CARTON 3 OF 4



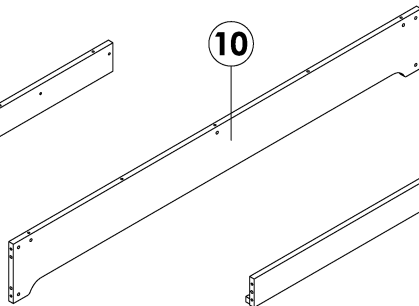
**DIVIDER (REAR)**  
( 1 PC / SET )  
CARTON 3 OF 4



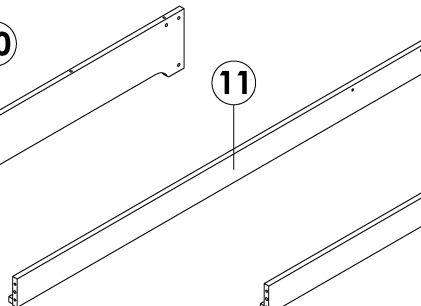
**DIVIDER (SIDE) (L/R)**  
( 2 PCS / SET )  
CARTON 3 OF 4



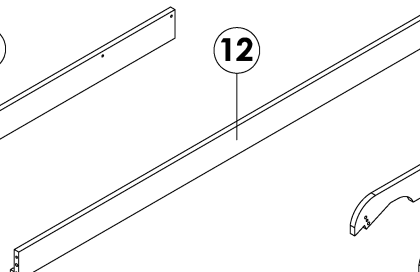
**BOTTOM TOP RAIL (FRONT)**  
( 1 PC / SET )  
CARTON 3 OF 4



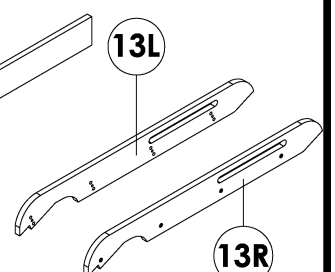
**BOTTOM TOP RAIL (REAR)**  
( 1 PC / SET )  
CARTON 3 OF 4



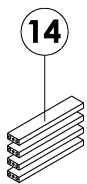
**BOTTOM SIDE RAIL (FRONT)**  
( 1 PC / SET )  
CARTON 3 OF 4



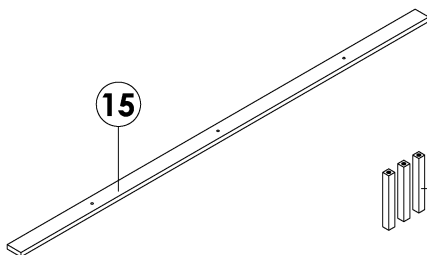
**BOTTOM SIDE RAIL (REAR)**  
( 1 PC / SET )  
CARTON 3 OF 4



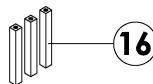
**LADDER SIDE (L/R)**  
( 2 PCS / SET )  
CARTON 3 OF 4



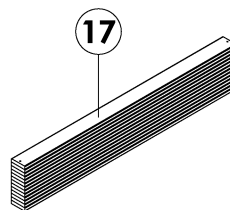
**LADDER SLAT**  
( 4 PCS / SET )  
CARTON 3 OF 4



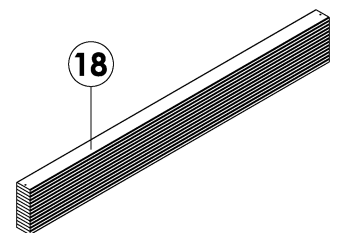
**CENTER SUPPORT**  
( 1 PC / SET )  
CARTON 3 OF 4



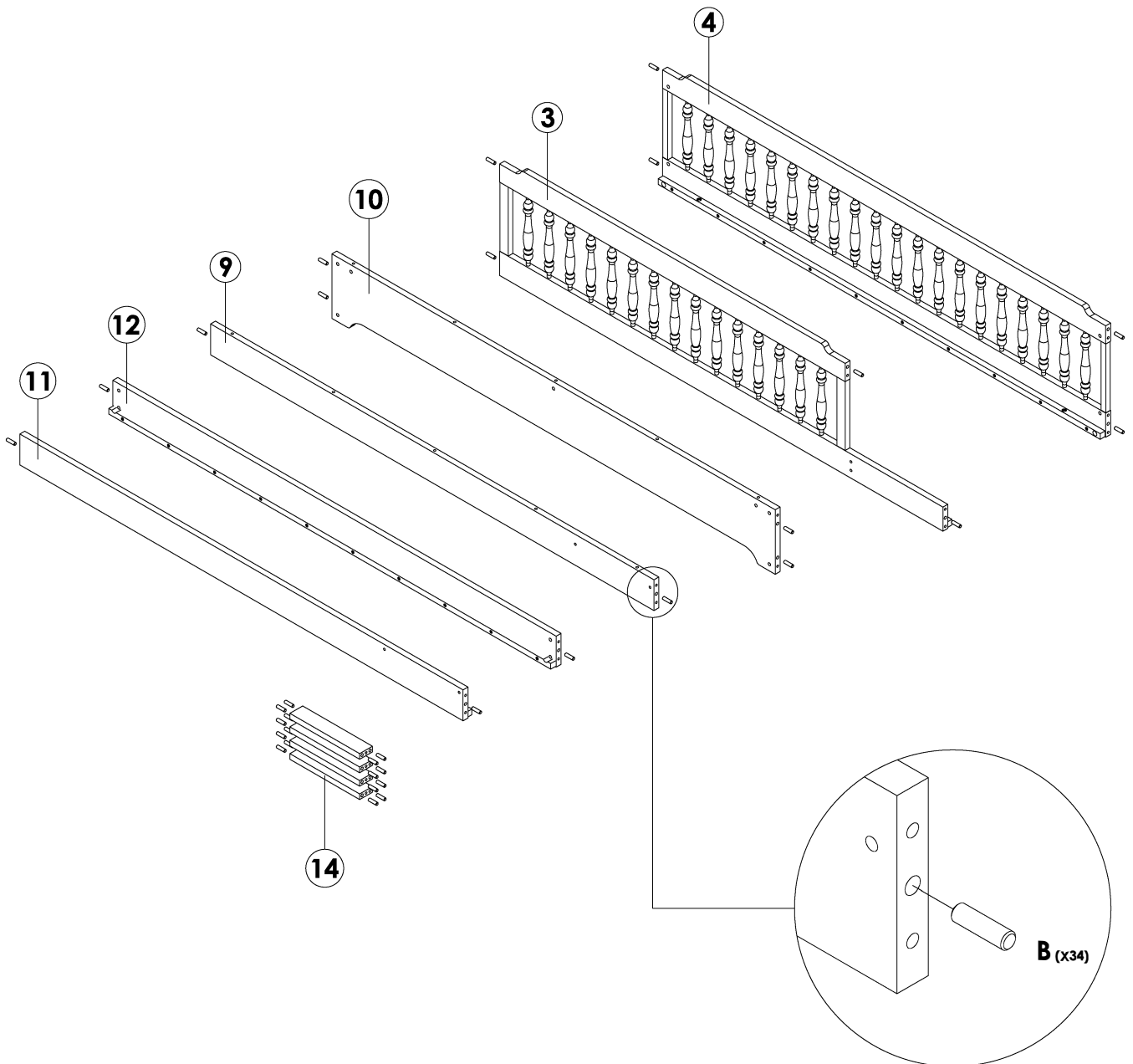
**SUPPORT LEG**  
( 3 PCS / SET )  
CARTON 3 OF 4



**TOP WOODEN SLAT**  
( 13 PCS / SET )  
CARTON 1 OF 4

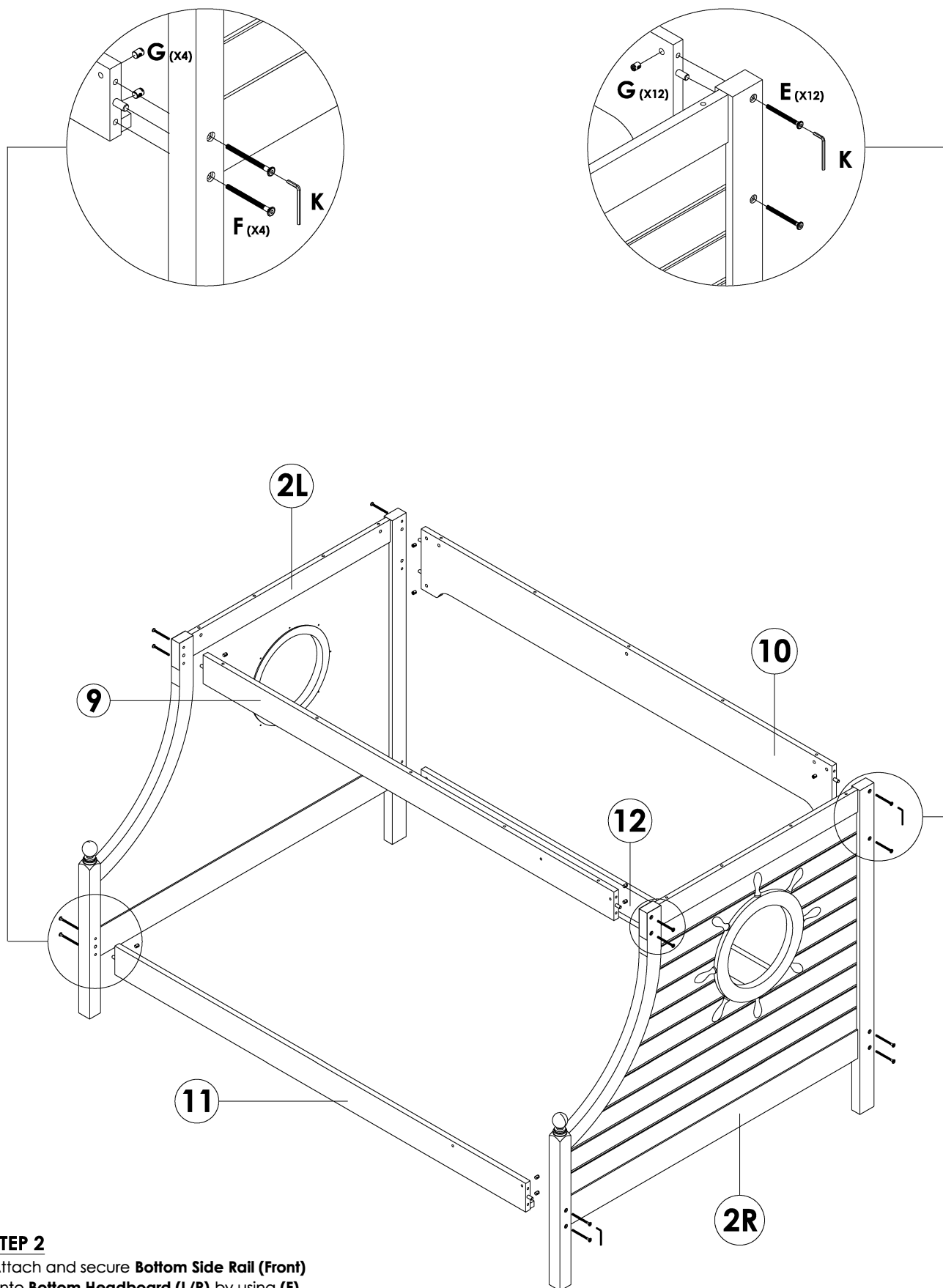


**BOTTOM WOODEN SLAT**  
( 13 PCS / SET )  
CARTON 4 OF 4



**STEP 1**

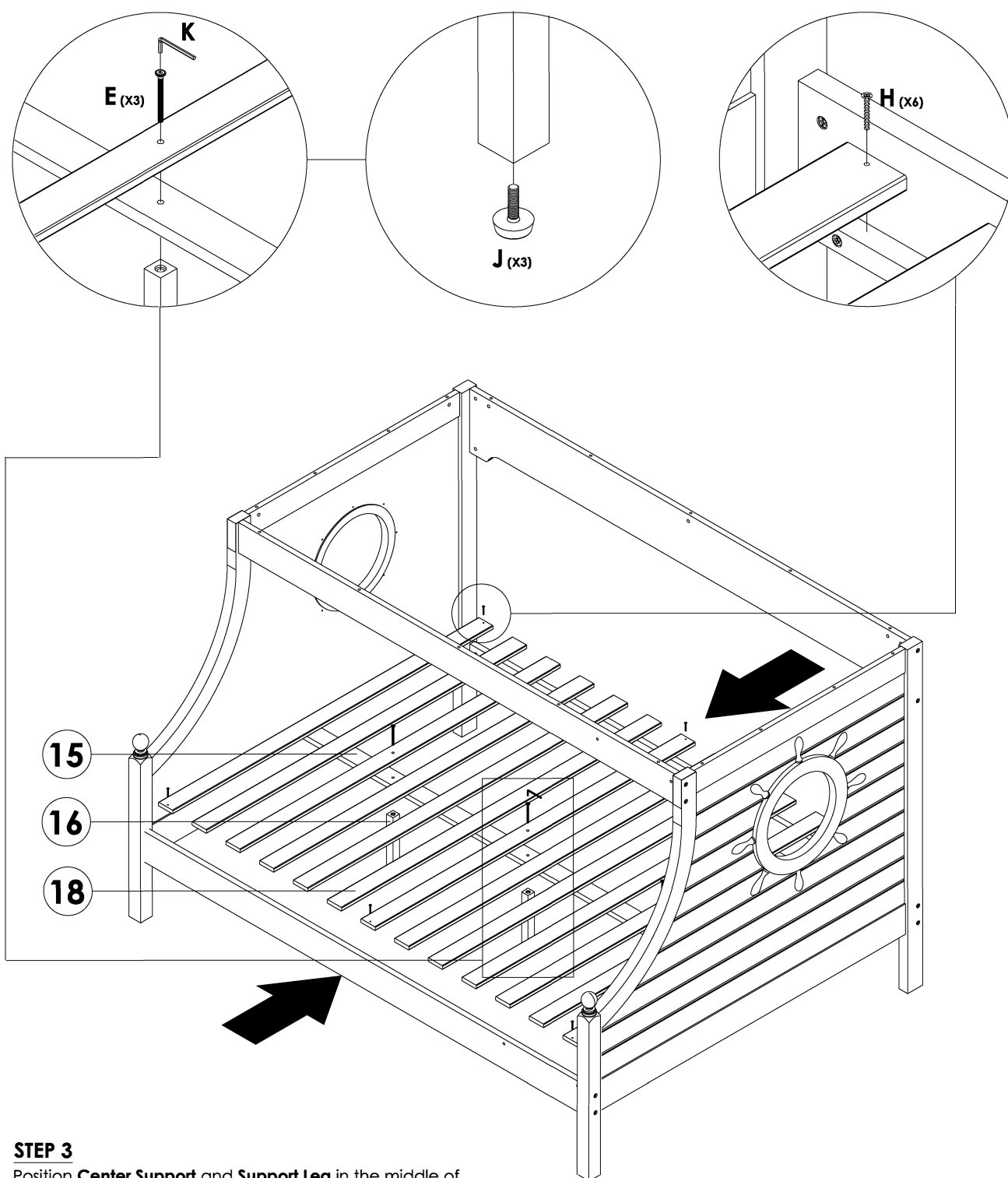
Insert **(B)** into Ø10MM holes of **Full Guardrail, Semi Guardrail, Bottom Top Rail (Front/Rear), Bottom Side Rail (Front/Rear)** and **Ladder Slat**.



**STEP 2**

Attach and secure **Bottom Side Rail (Front)** onto **Bottom Headboard (L/R)** by using **(F)** and **(G)**, tighten it up by using **(K)**.

Attach and secure **Bottom Top Rail (Front)**, **Bottom Top Rail (Rear)** and **Bottom Side Rail (Rear)** by using **(E)** and **(G)**, tighten it up by using **(K)**.



### STEP 3

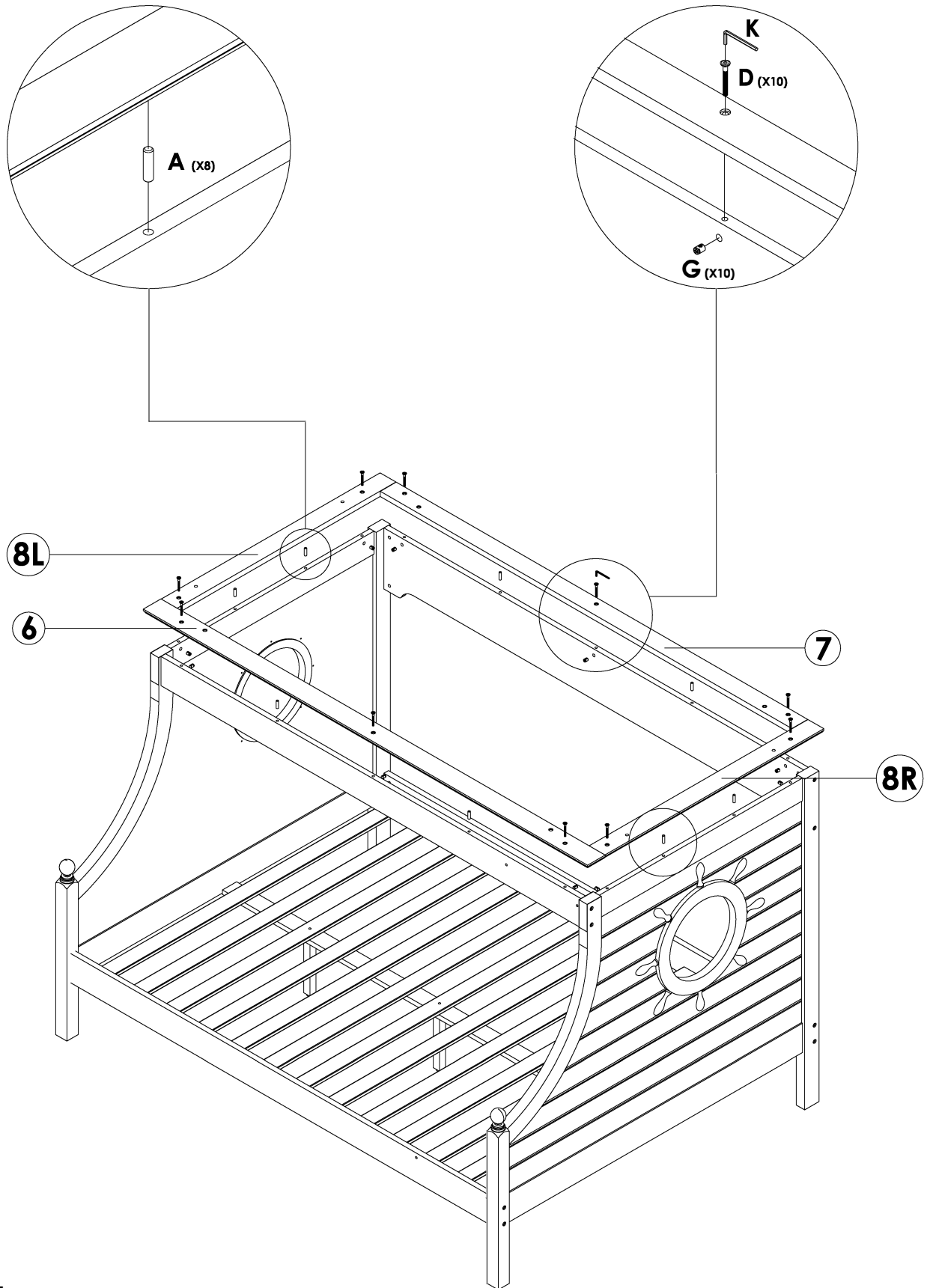
Position **Center Support** and **Support Leg** in the middle of **Bottom Bed**.

Secure **Bottom Wooden Slat** onto **Center Support** and **Support Leg** by using (E), tighten it up by using (K).

Screw (J) under **Support Leg**. Lay **Center Support** onto **Support Leg** WITHOUT TIGHTENING IT UP.

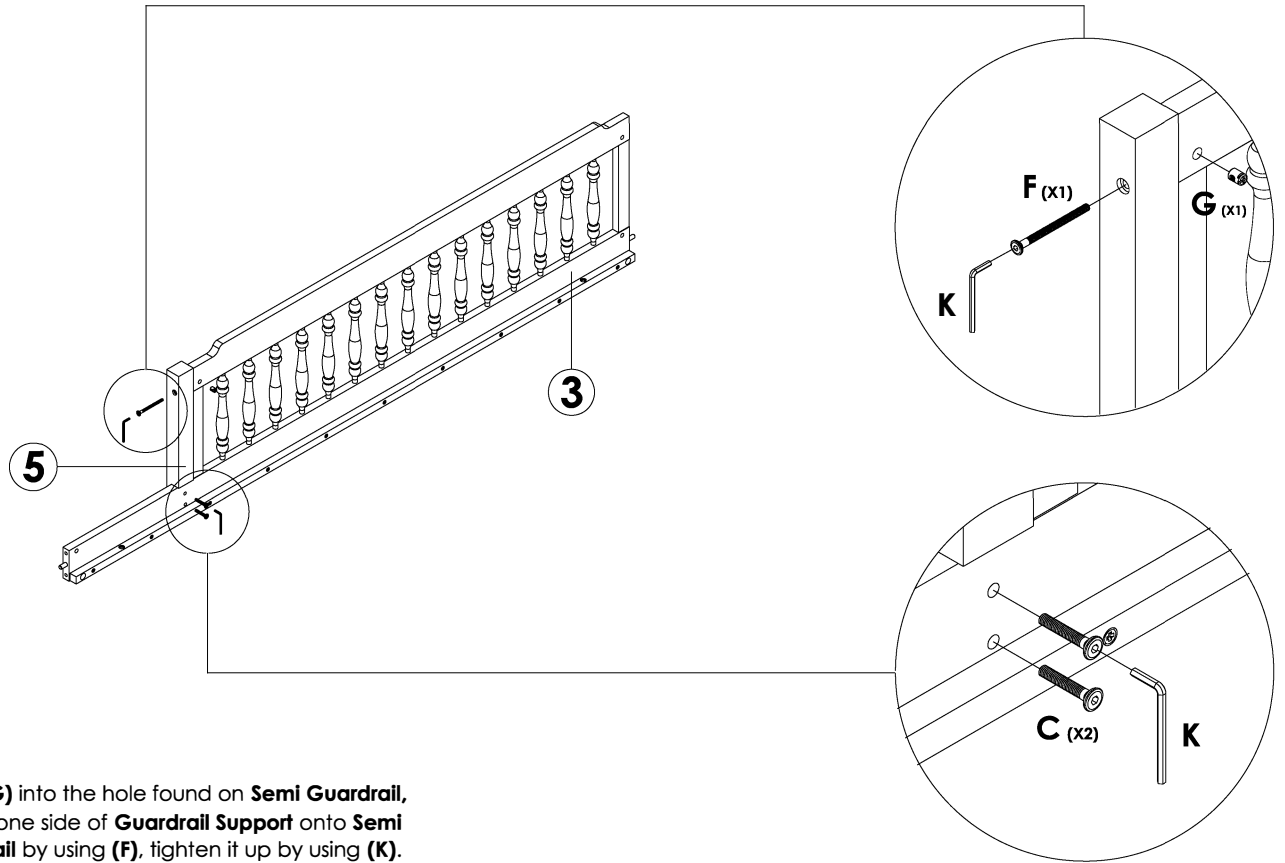
Go on to screw (H) into pre-drilled holes on both ends of **Bottom Wooden Slat** by using a Crosshead Screw Driver.

\* Align both **Bottom Side Rail (Front/Rear)** before tightening the screws.



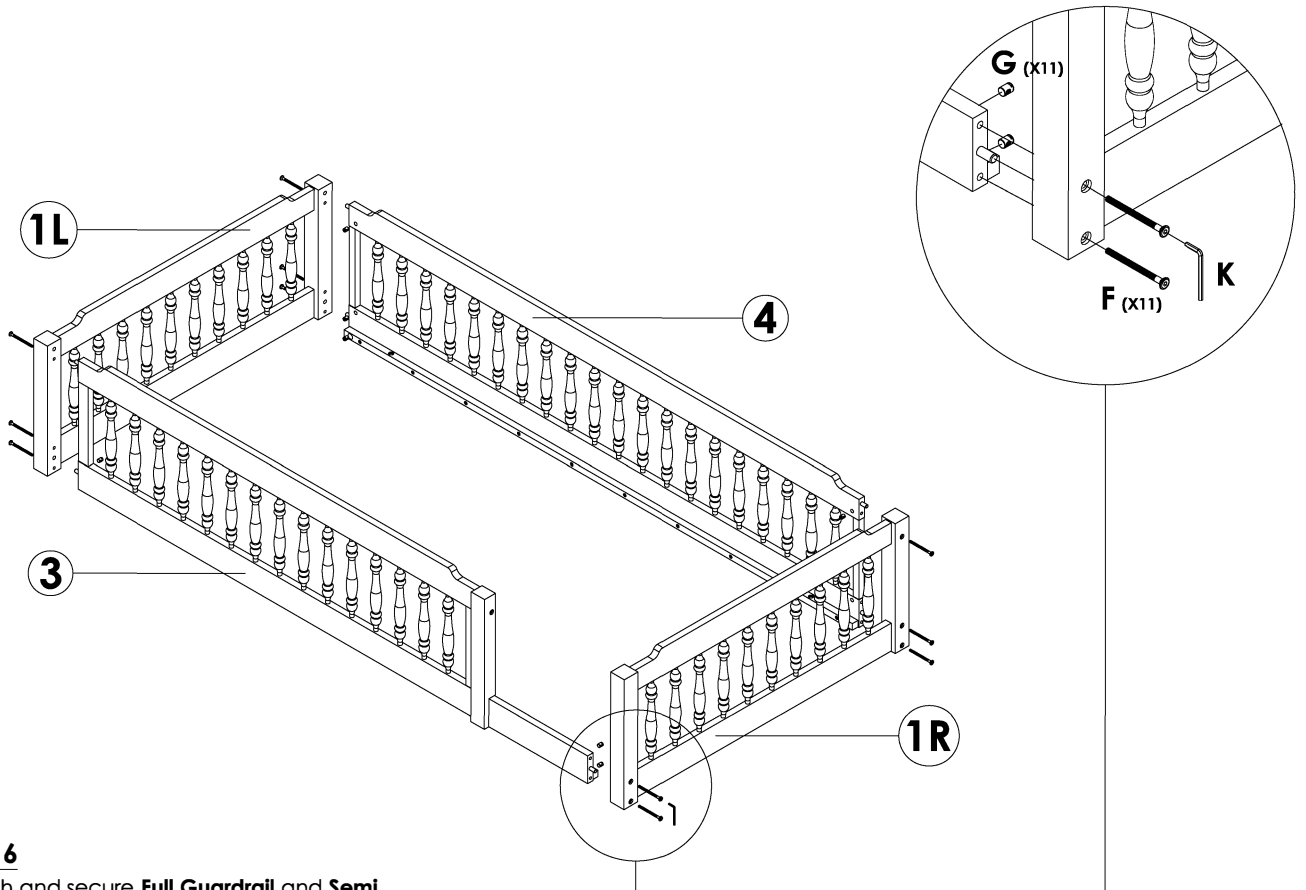
**STEP 4**

Attach and secure **Divider (Front, Rear & Side)** onto **Bottom Bed**. Insert **(A)** into Ø8MM holes. Secure the **Divider** in place by inserting **(G)** into holes on **Bottom Front Rail, Bottom Rear Rail** and **Bottom Headboard**, attach **(D)** and tighten it up by using **(K)**.



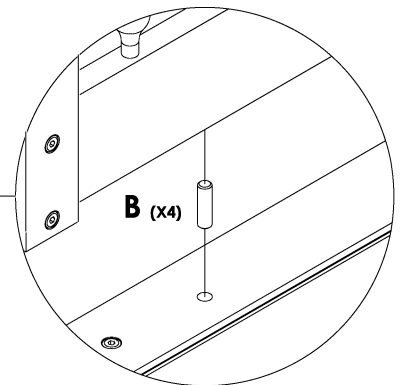
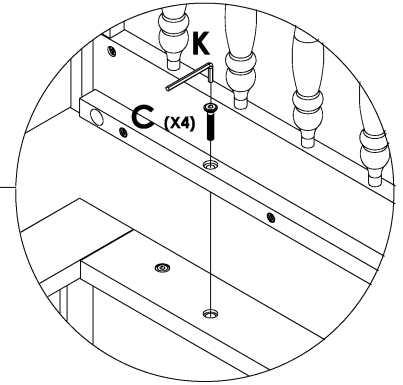
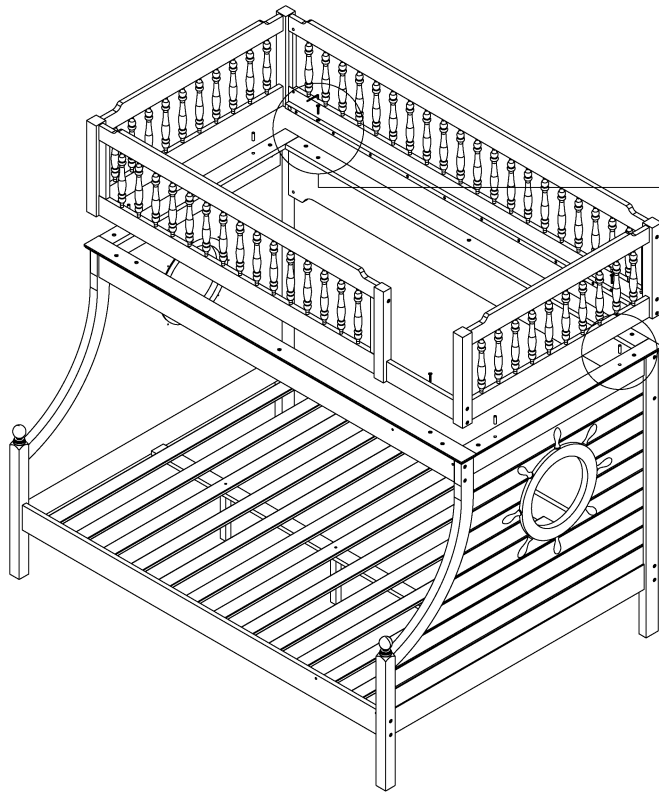
**STEP 5**

Insert **(G)** into the hole found on **Semi Guardrail**, secure one side of **Guardrail Support** onto **Semi Guardrail** by using **(F)**, tighten it up by using **(K)**. Secure **Guardrail Support** onto **Semi Guardrail** by using **(C)**, tighten it up by using **(K)**.



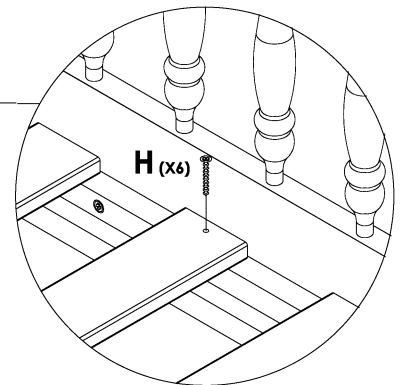
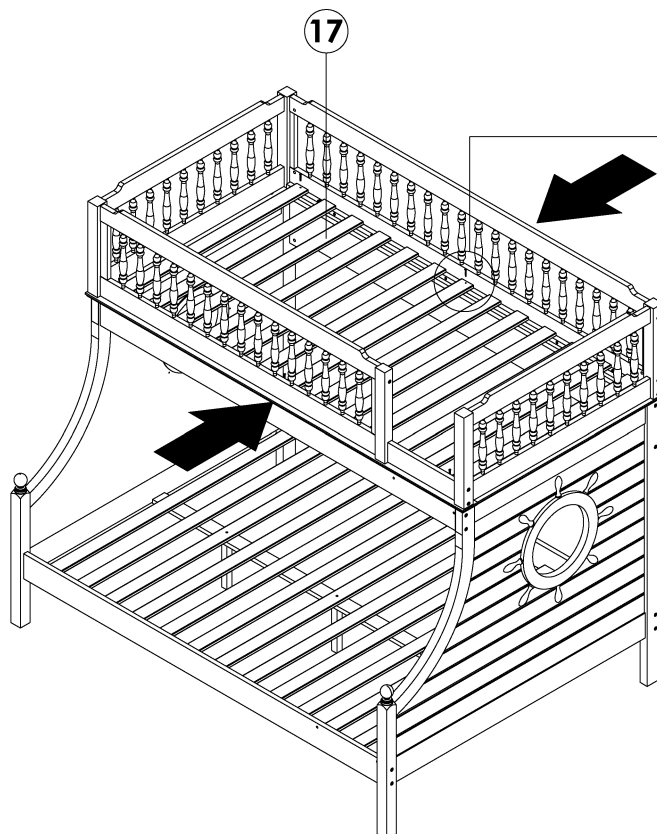
**STEP 6**

Attach and secure **Full Guardrail** and **Semi Guardrail** onto **Top Headboard** by using **(F)** and **(G)**, tighten it up by using **(K)**.



### STEP 7

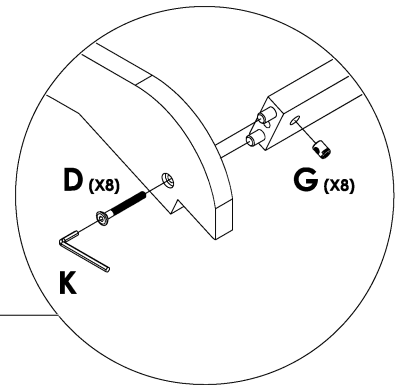
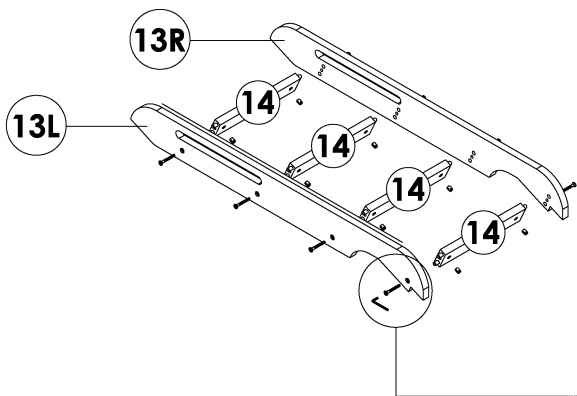
Connect **Top Bed** and **Bottom Bed** together by inserting **(B)** into  $\text{\O}10\text{MM}$  holes on **Divider**. Secure it by screwing **(C)** through slat supporter's  $\text{\O}8\text{MM}$  holes, tighten it up by using **(K)**.



### STEP 8

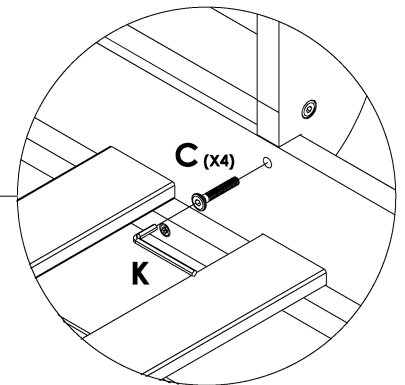
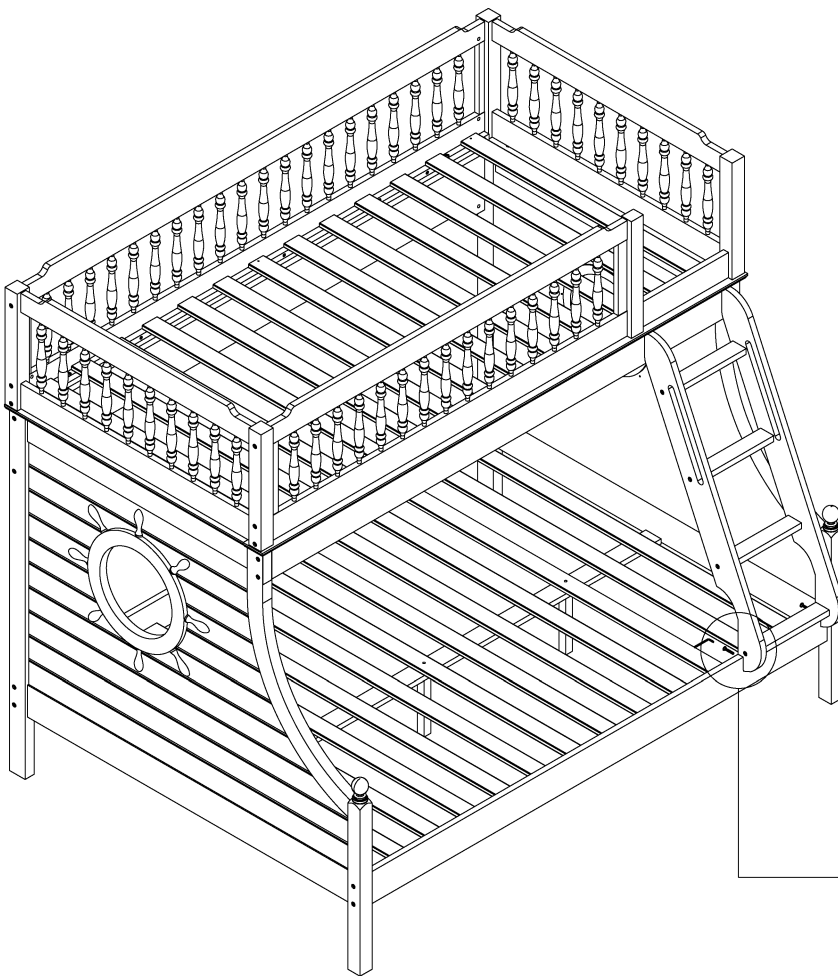
Screw **(H)** into pre-drilled holes on both ends of **Top Wooden Slat** by using a Crosshead Screw Driver.

\* Align both **Semi Guardrail** and **Full Guardrail** before tightening the screws.



**STEP 9**

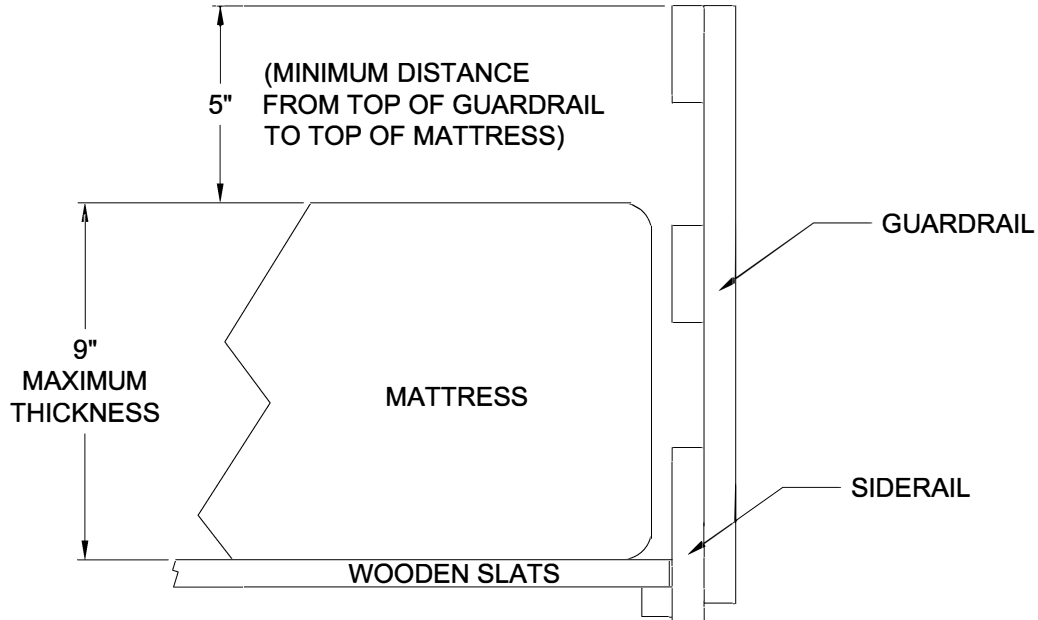
Attach and secure **Ladder Slat** onto **Ladder Side (L/R)** by using **(D)** and **(G)**, tighten it up by using **(K)**.



**STEP 10**

Attach and secure **Ladder** onto **Bottom Top Rail (Front)** and **Bottom Side Rail (Front)** by using **(C)**, tighten it up by using **(K)**.

# BEDDING SPECIFICATION



## MATTRESS SIZE

Upper Bunk Mattress Specification :

- Only use a mattress that is 74" - 75" long and 37 1/2" - 38 1/2" wide on upper bunk.
- Ensure thickness of mattress does not exceed 9".

Lower Bunk Mattress Specification :

- Only use a mattress that is 75" long and 54" wide on lower bunk.
- Ensure thickness of mattress is 10" only.

Replacement parts :

Replacement parts, including additional guard rails, can be obtained from any distributor or retailer.