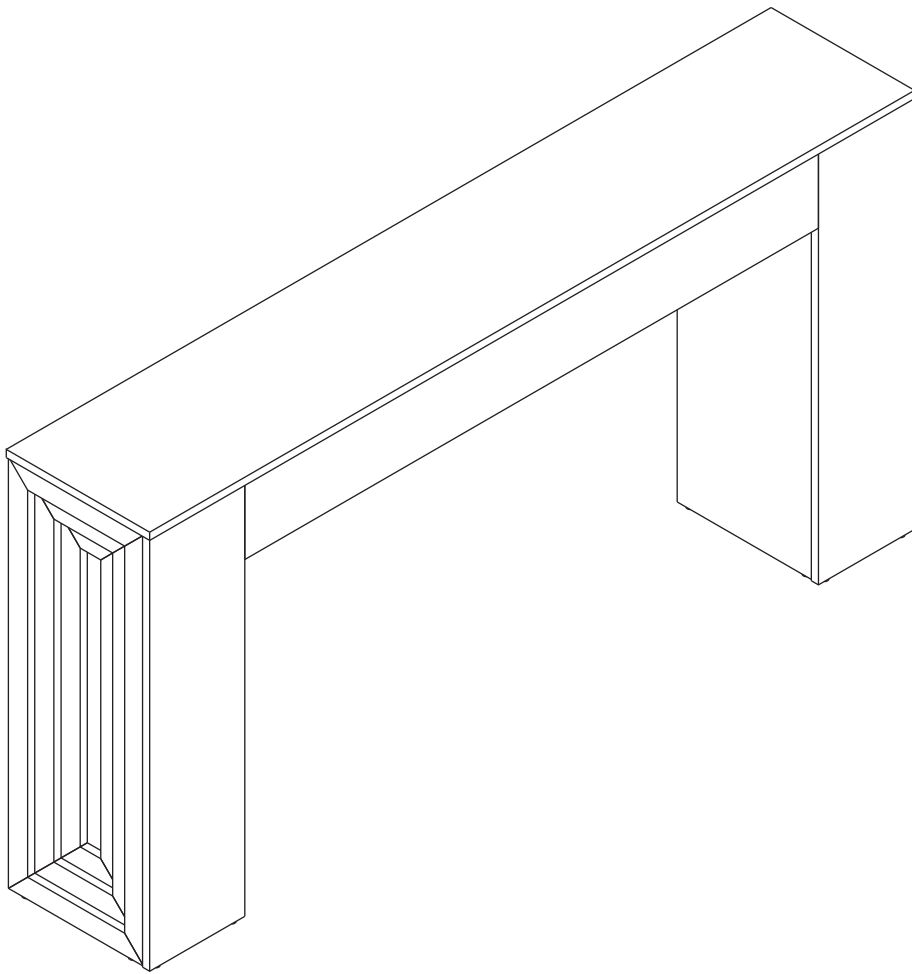


Assembly Instructions



Console Table

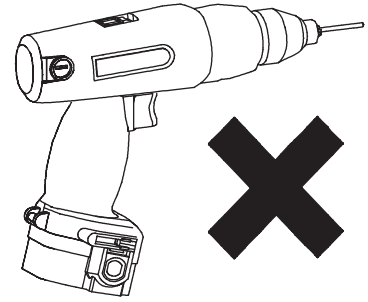
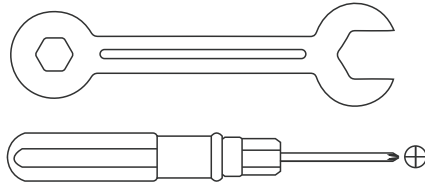
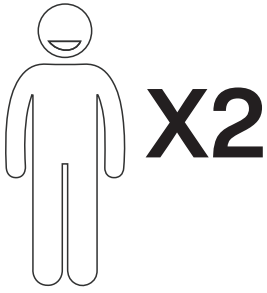
Contact Us

We're here to help you.

Your satisfaction is our top priority. If you encounter any issues with this product, such as missing or damaged parts, we're here to help. Please retain the original packaging and take photos of the packaging and the product, then contact us as soon as possible.

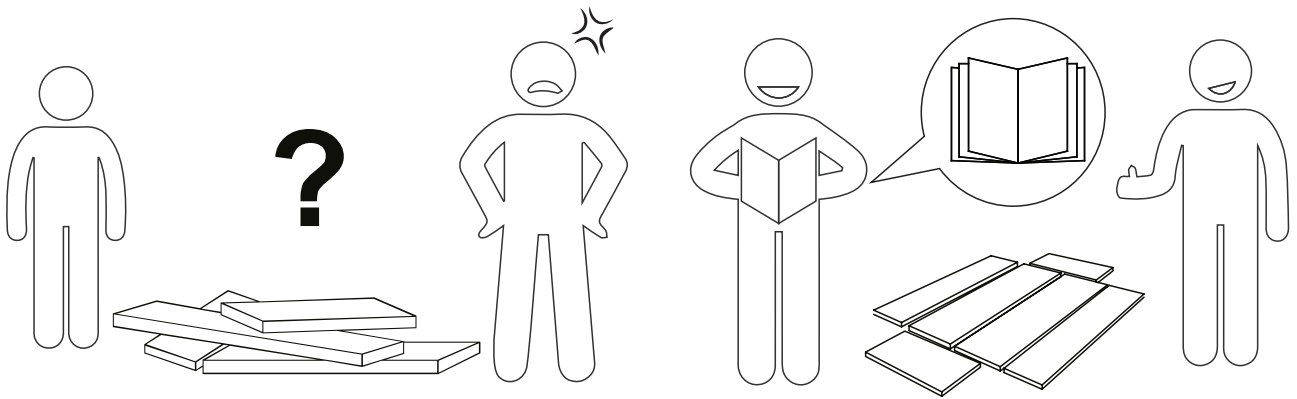
Warm Tips

1. Carefully read these instructions and keep them for future reference.
2. Check the parts list and confirm everything's there before starting assembly.
3. When assembling, put all parts on a soft, smooth surface like a carpet to avoid scratches.
4. Don't fully tighten screws until all parts are confirmed in place to avoid misalignment.



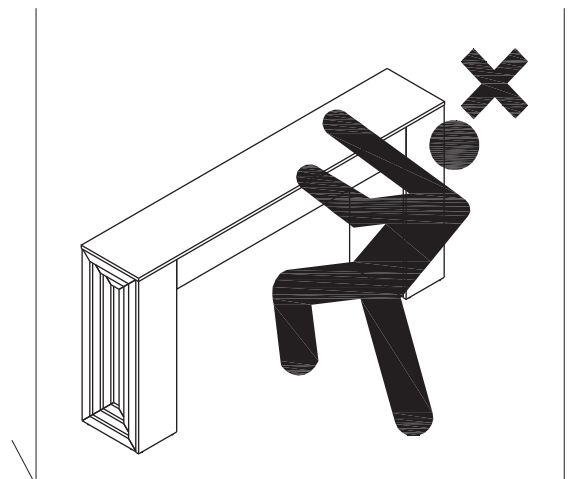
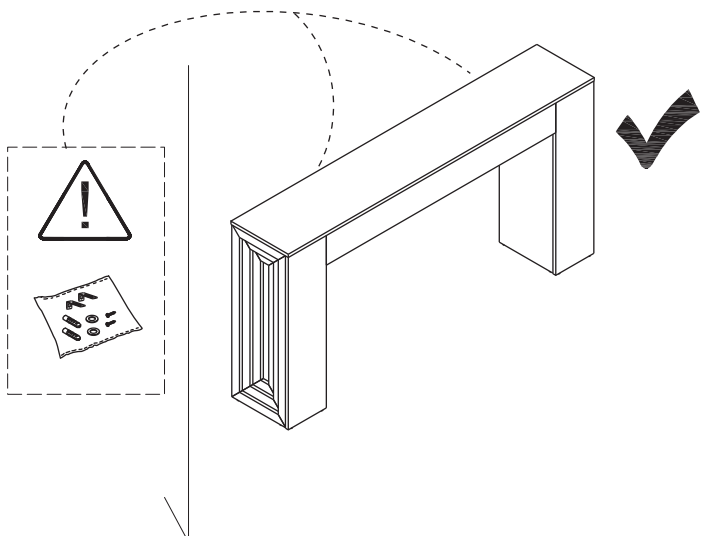
We recommend using hand tools for assembly.

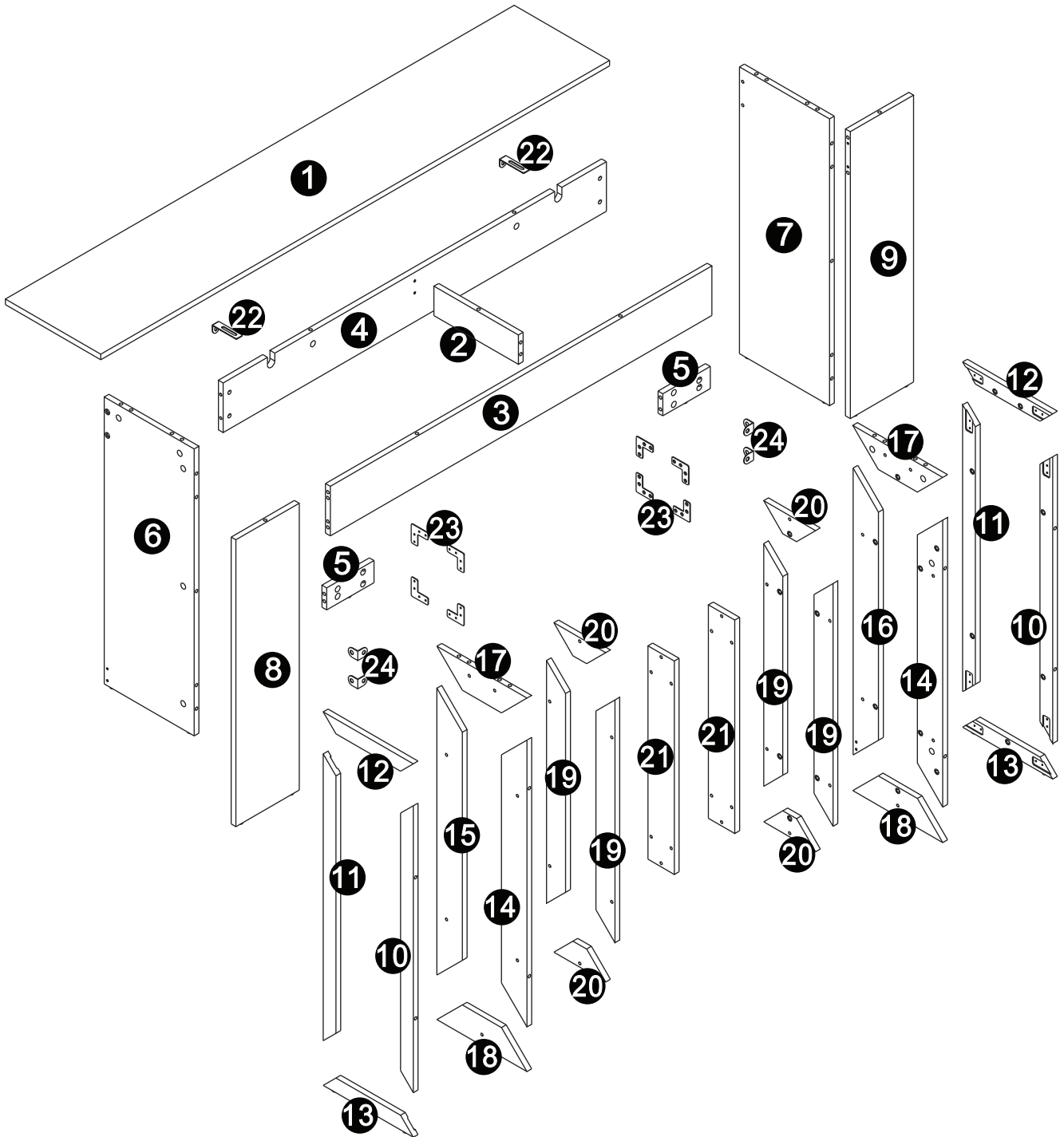
If an electric screwdriver is used, reduce power and torque to avoid damage to the product.



Install tip-over restraint provided

Use of tip-over restraints may only reduce but not eliminate, the risk of tip-over



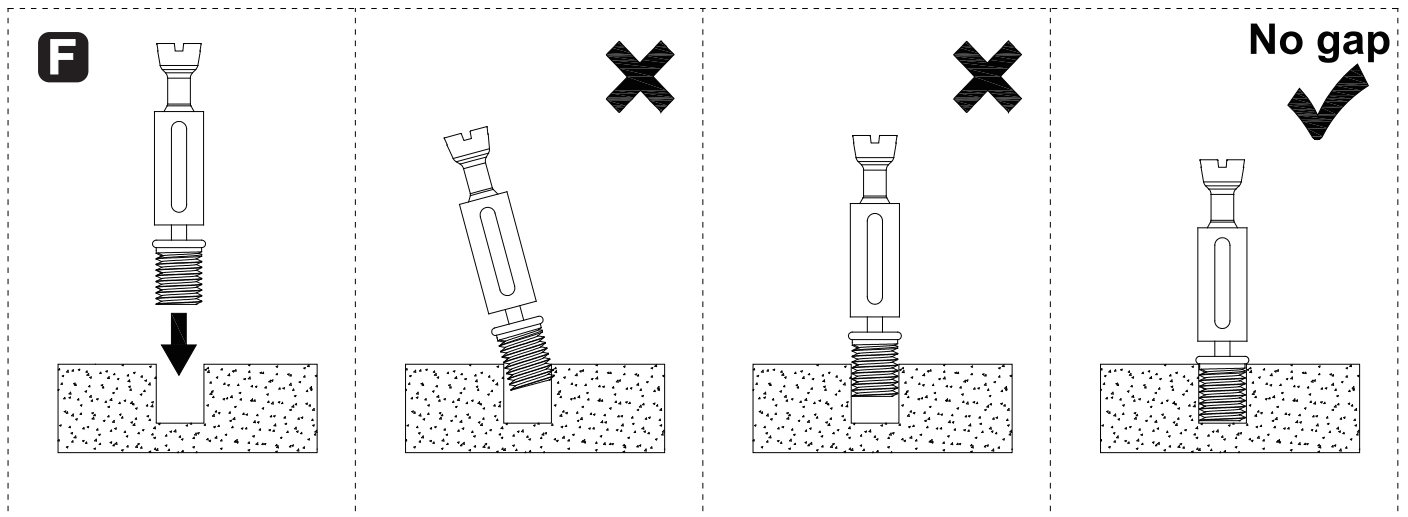


⚠ Caution

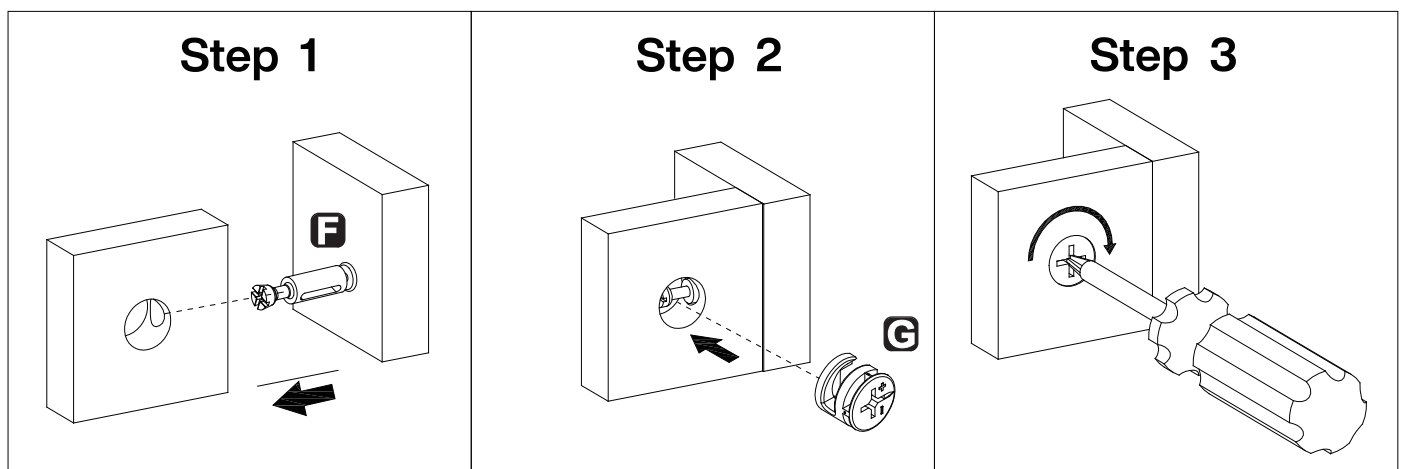
Make sure all parts are included. Most board parts are labeled or stamped on the raw edge. Contact us for a free replacement if you encounter any damaged or missing parts.

Installation of Cams and Pins

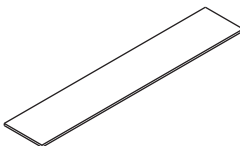
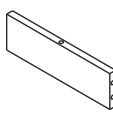
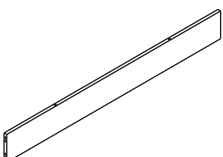
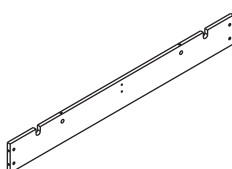
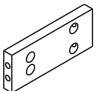
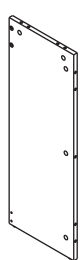
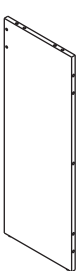

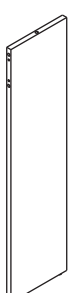


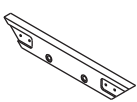
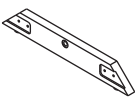



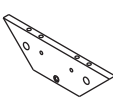
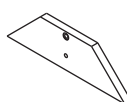

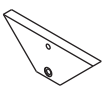

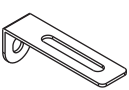
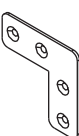

Read each step carefully before starting. Each step of instruction should be performed in the correct order. If these steps are not followed in sequence, assembly difficulties may occur.



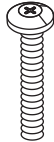
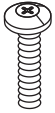

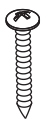

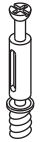
Screw the pin into the hole. Set the cams correctly by aligning the head of the cams with the lock pins. Lock the cam by turning the cam head with a screwdriver until it is tightened. Please do not use an electric screwdriver to assemble the unit.








Parts List



<p>1</p>  <p>1 pc</p>	<p>2</p>  <p>1 pc</p>	<p>3</p>  <p>1 pc</p>	<p>4</p>  <p>1 pc</p>	<p>5</p>  <p>2 pcs</p>
<p>6</p>  <p>1 pc</p>	<p>7</p>  <p>1 pc</p>	<p>8</p>  <p>1 pc</p>	<p>9</p>  <p>1 pc</p>	<p>10</p>  <p>2 pcs</p>
<p>11</p>  <p>2 pcs</p>	<p>12</p>  <p>2 pcs</p>	<p>13</p>  <p>2 pcs</p>	<p>14</p>  <p>2 pcs</p>	<p>15</p>  <p>1 pc</p>
<p>16</p>  <p>1 pc</p>	<p>17</p>  <p>2 pcs</p>	<p>18</p>  <p>2 pcs</p>	<p>19</p>  <p>4 pcs</p>	<p>20</p>  <p>4 pcs</p>
<p>21</p>  <p>2 pcs</p>	<p>22</p>  <p>2 pcs</p>	<p>23</p>  <p>8 pcs</p>	<p>24</p>  <p>4 pcs</p>	

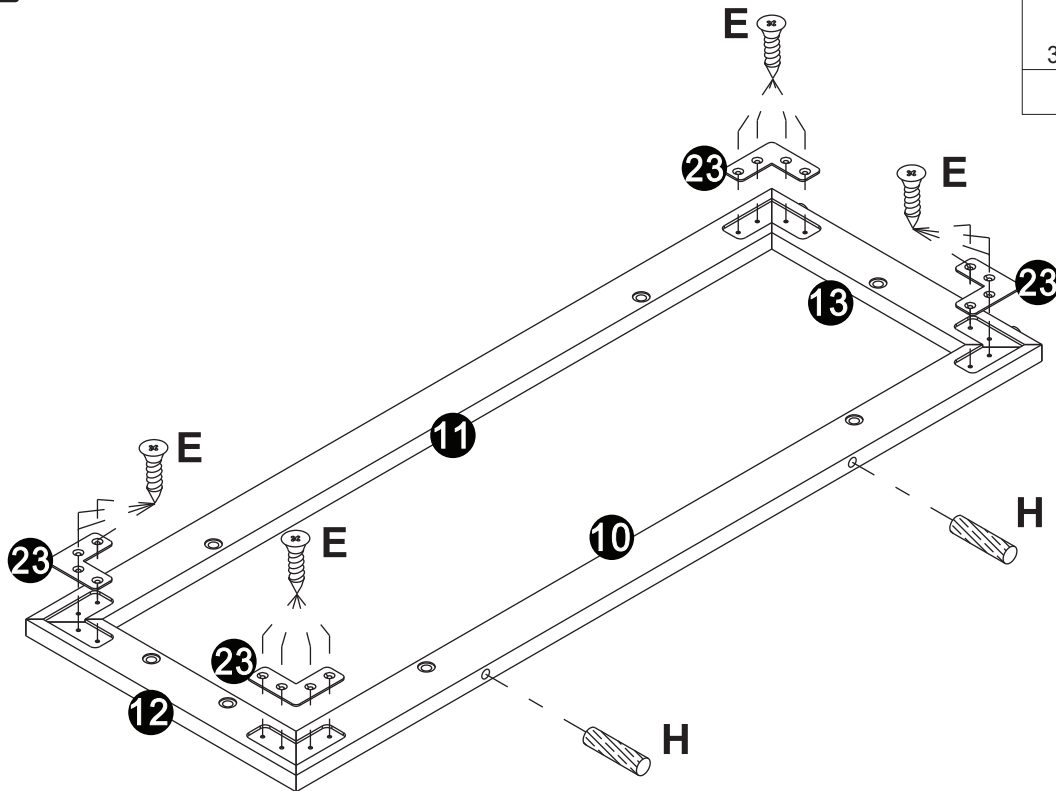
Hardware List

A	B	C	D	E	F
					
M6×40mm	M6×25mm	M6×12mm	4×24.5mm	3.5×12mm	M6×44.5mm
4 pcs	38 pcs	10 pcs	2 pcs	32 pcs	41 pcs



G	H	I	J	K	
					
Ø15mm	Ø8x30mm				
41 pcs	20 pcs	2 pcs	2 pcs	1 pc	

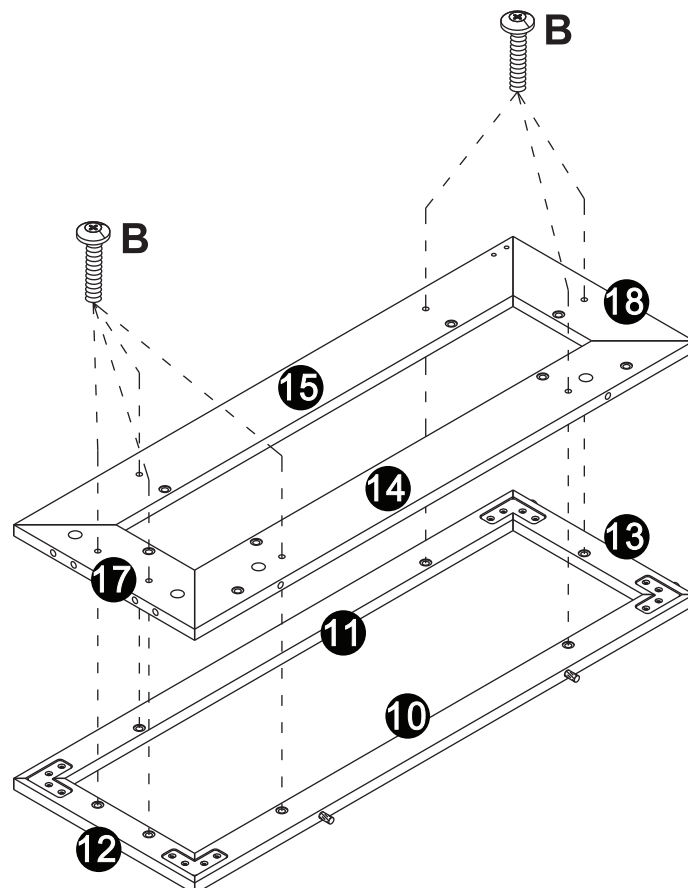
1

E	H
	
3.5×12mm	Ø8×30mm
16 pcs	2 pcs

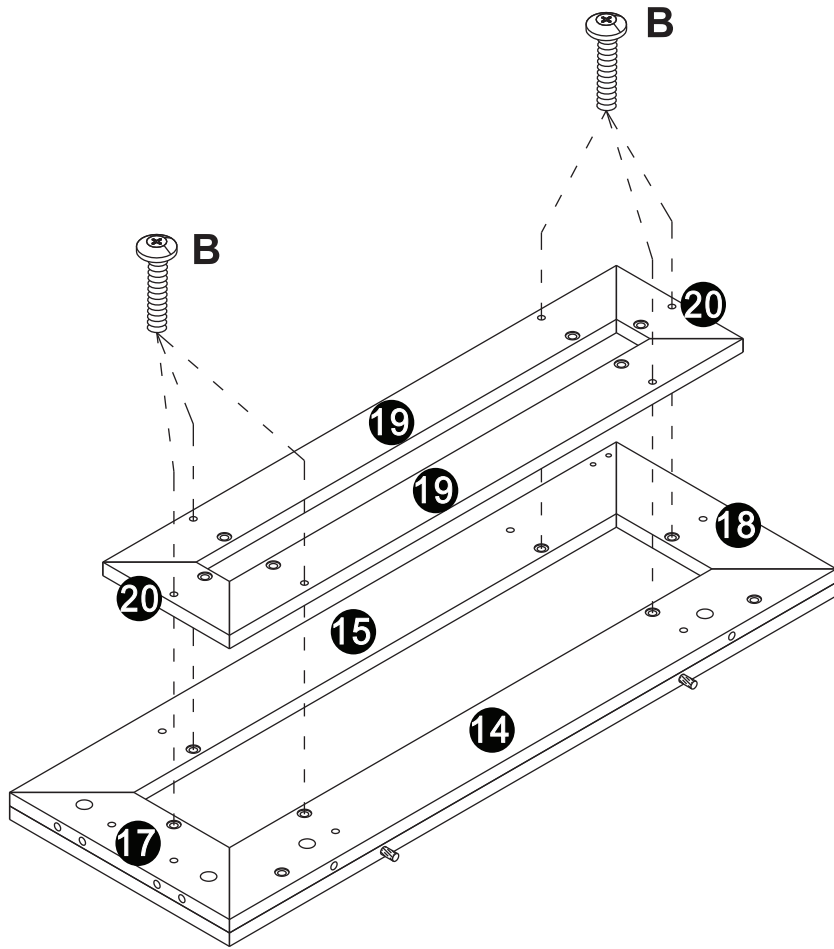




2

A	B
	
M6×40mm	M6×25mm
	7 pcs

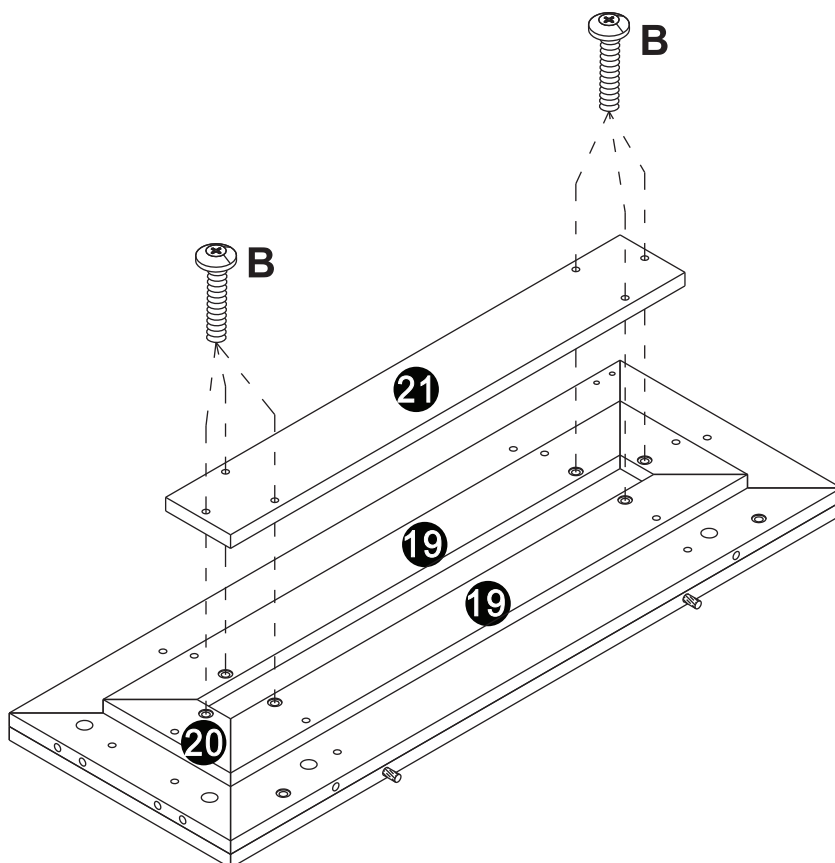


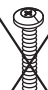

3



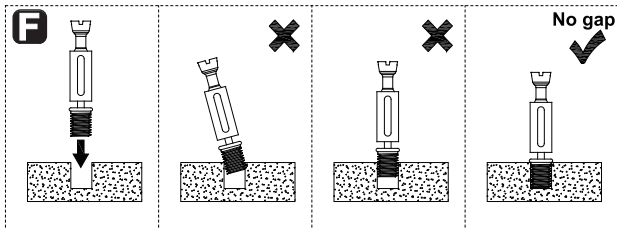
A	B
 M6x40mm	 M6x25mm
	6 pcs


4

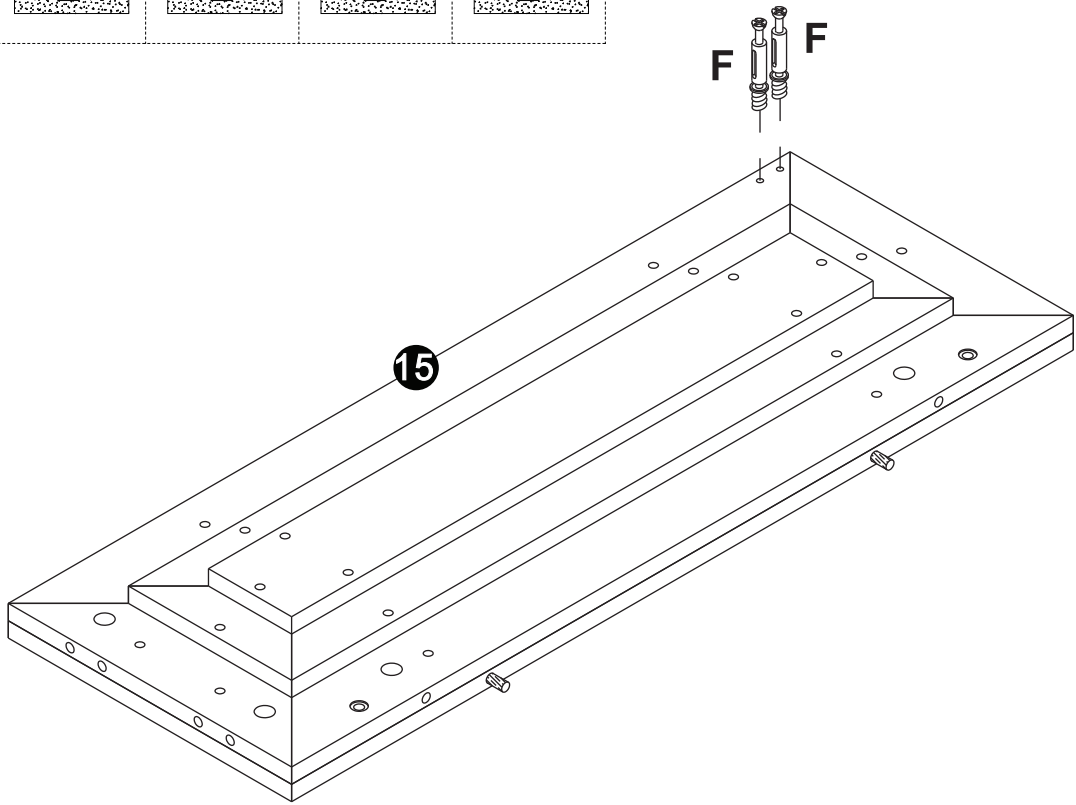


A	B
 M6x40mm	 M6x25mm
	6 pcs

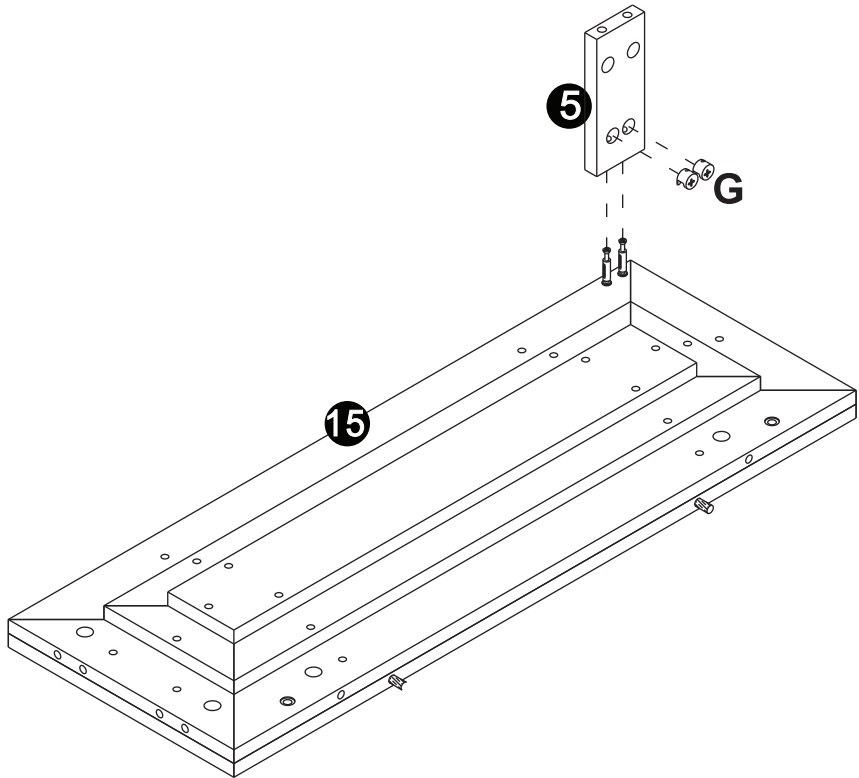
5




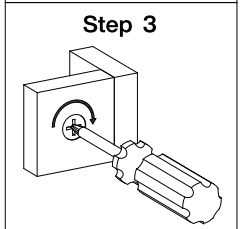
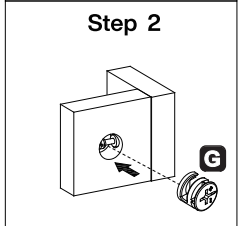
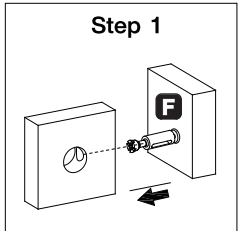
F

M6×44.5mm
2 pcs



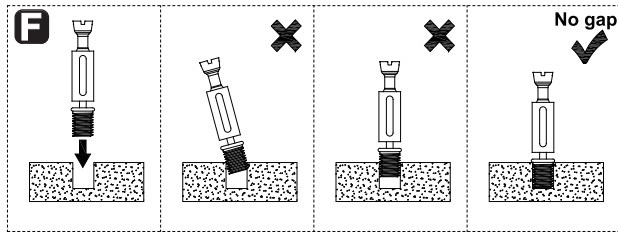
6





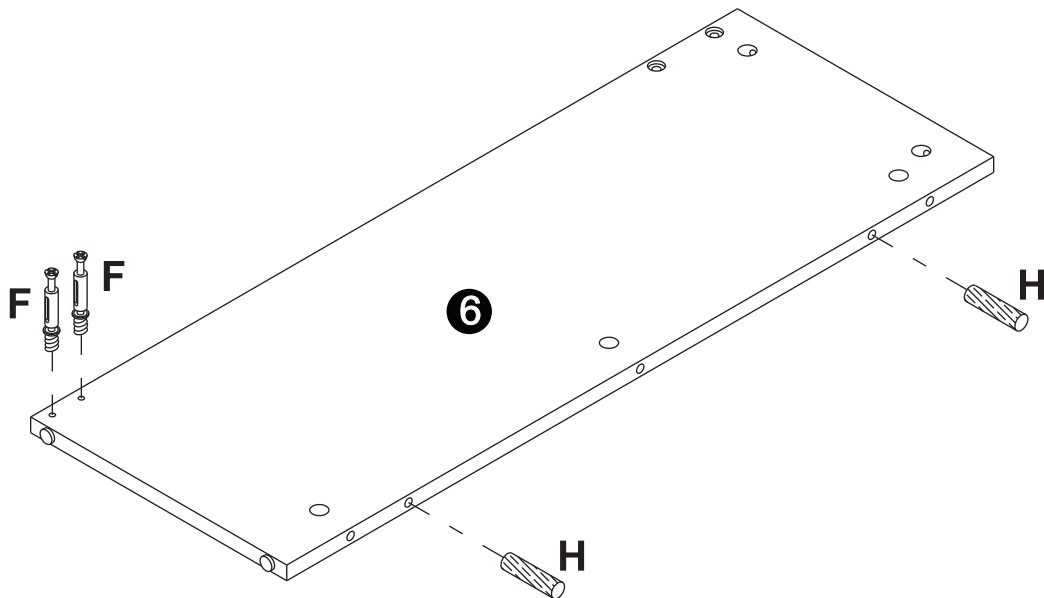
G

Ø15mm
2 pcs



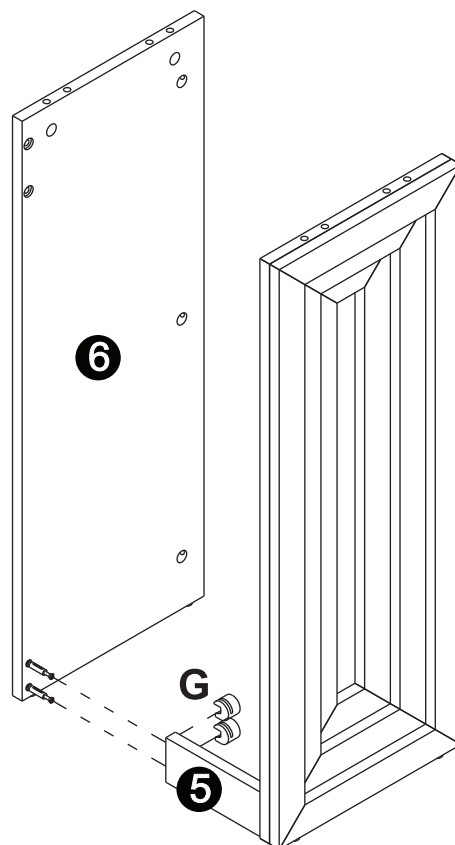
7




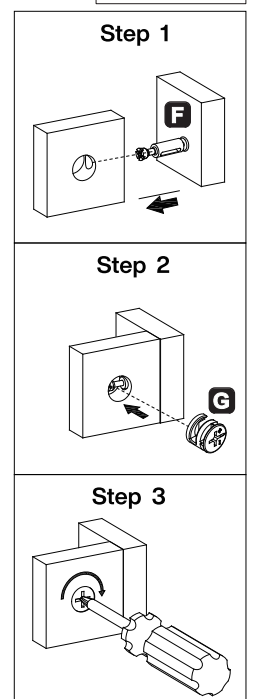
F	H
	
M6×44.5mm	Ø8×30mm
2 pcs	2 pcs



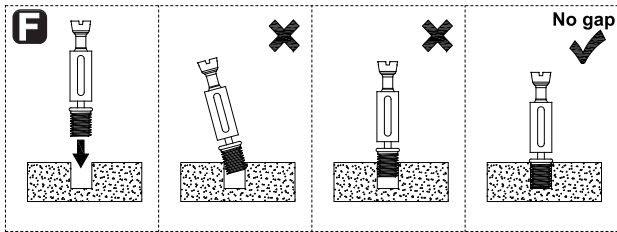
8




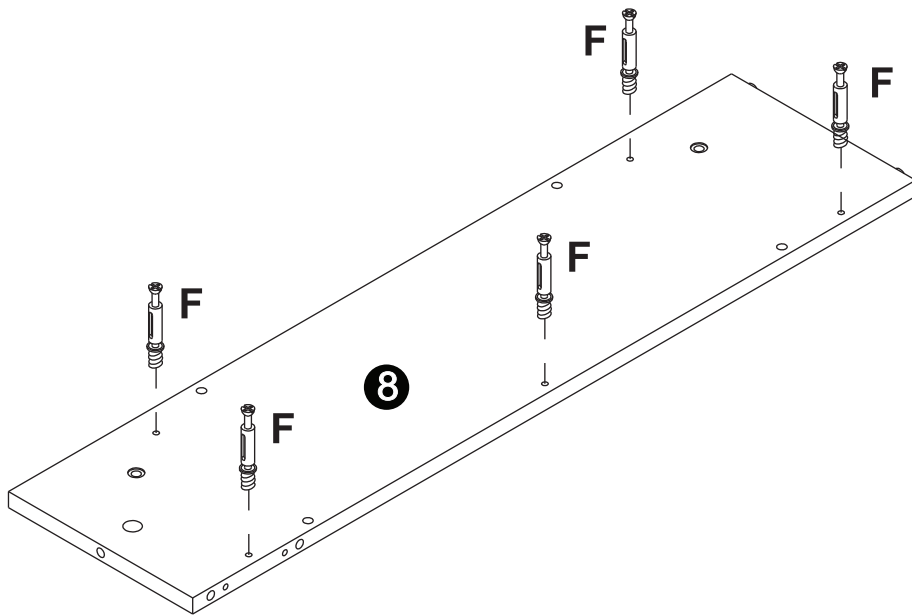
G

Ø15mm
2 pcs



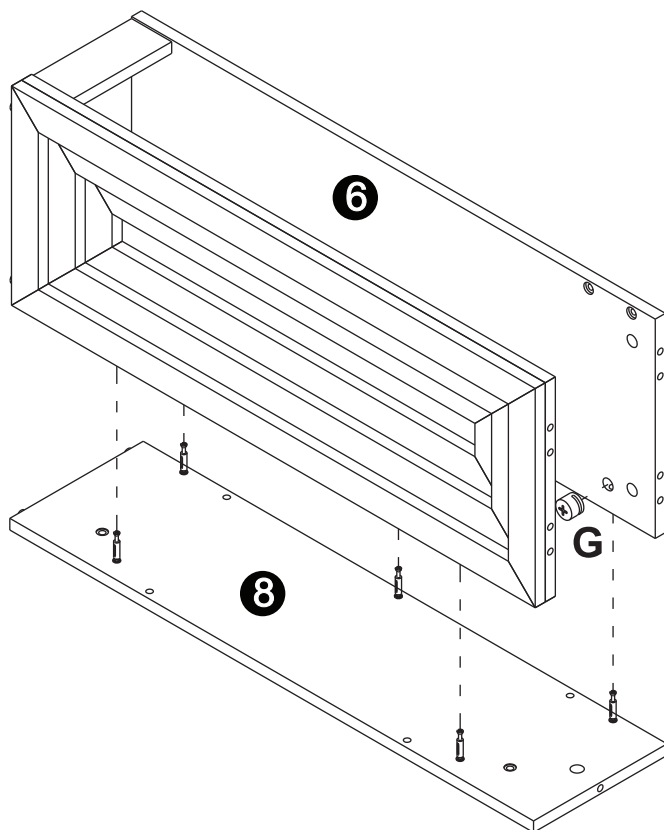
9




F

M6×44.5mm
5 pcs

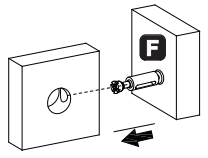


10

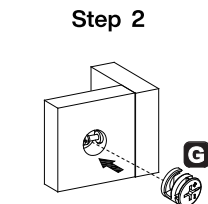


G

Ø15mm
5 pcs

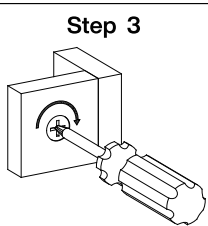
Step 1



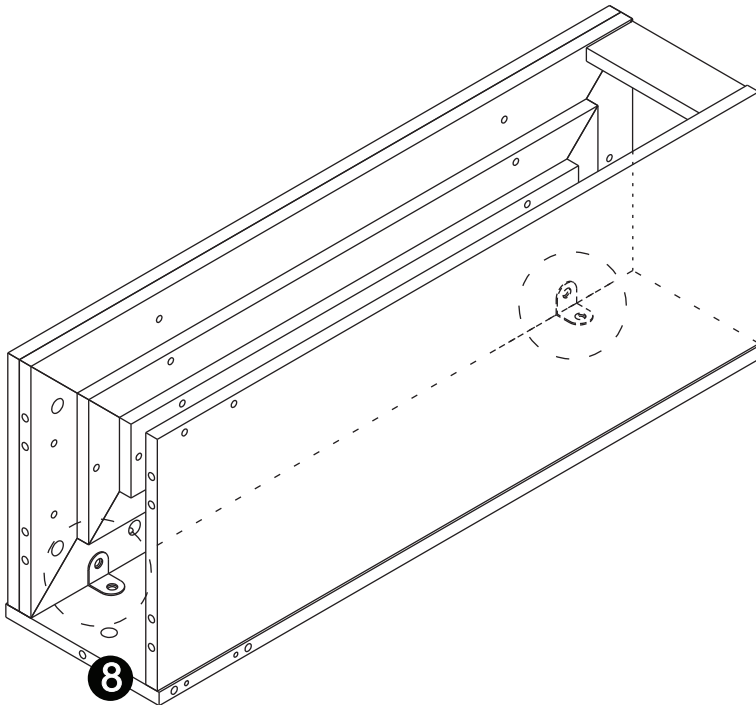
Step 2





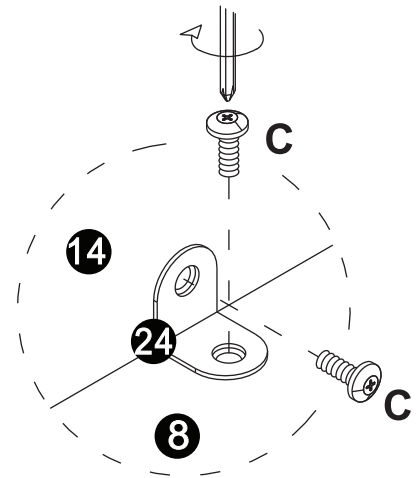
Step 3



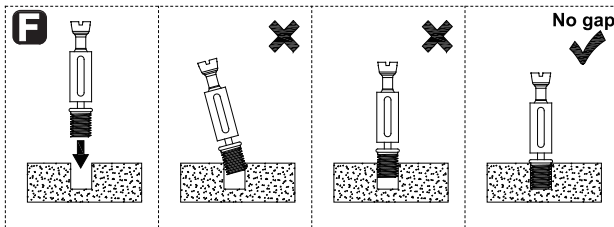
11





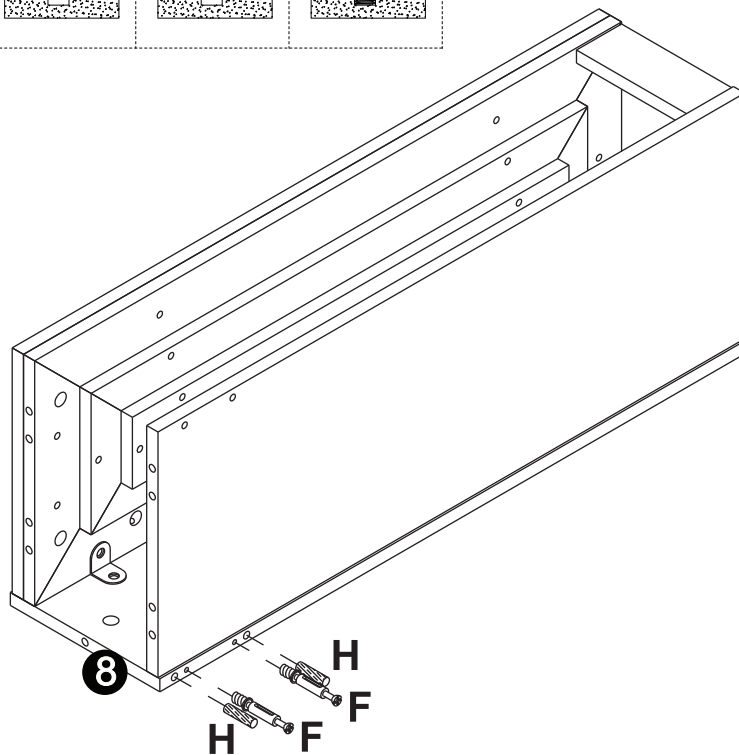
B	C
	
M6×25mm	M6×12mm
	4 pcs





12

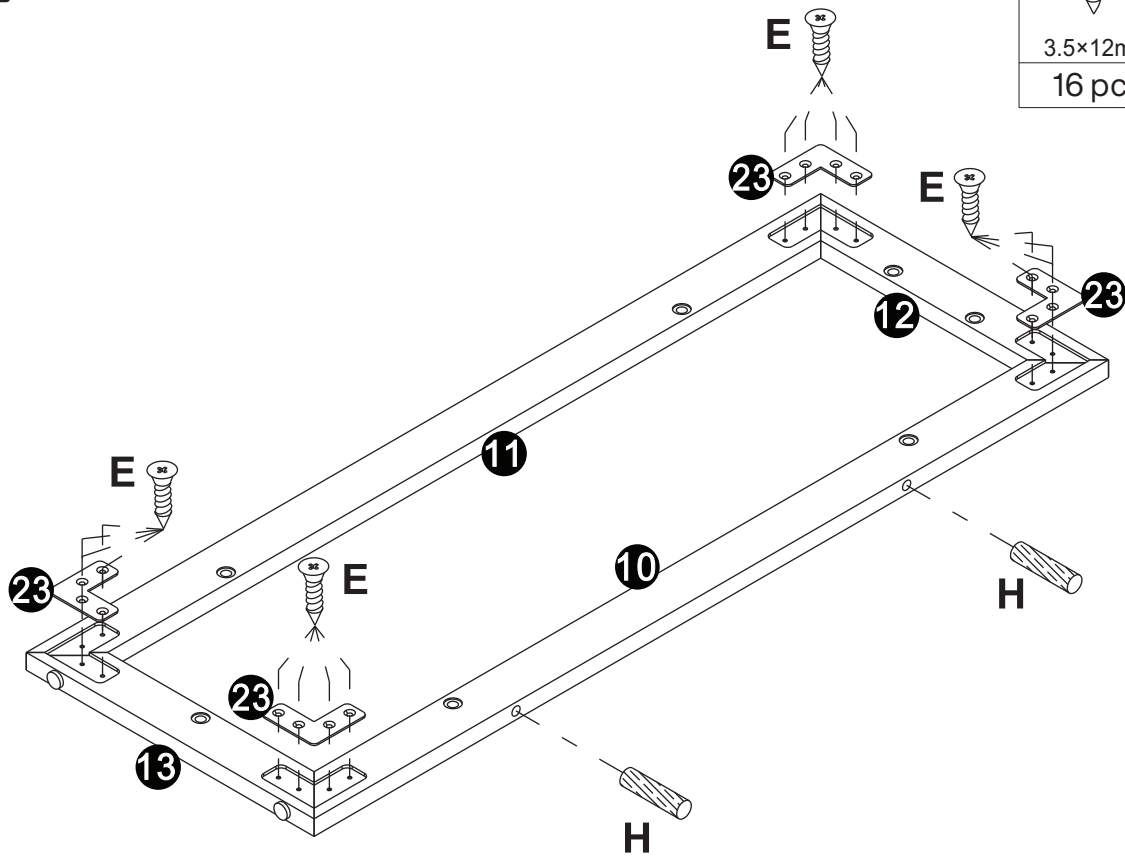


F	H
	
M6×44.5mm	Ø8×30mm
2 pcs	2 pcs





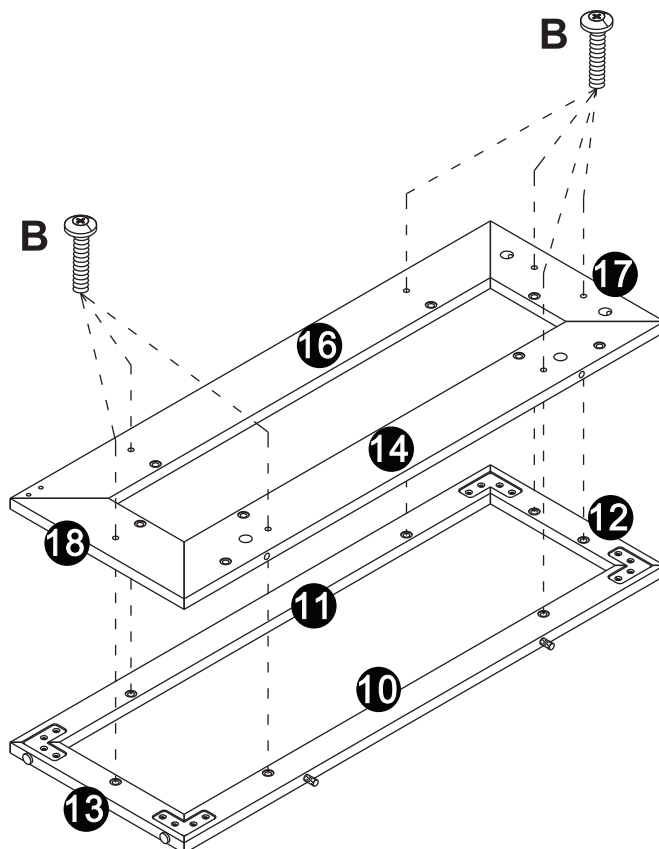
13

E	H
	
3.5×12mm	Ø8×30mm
16 pcs	2 pcs

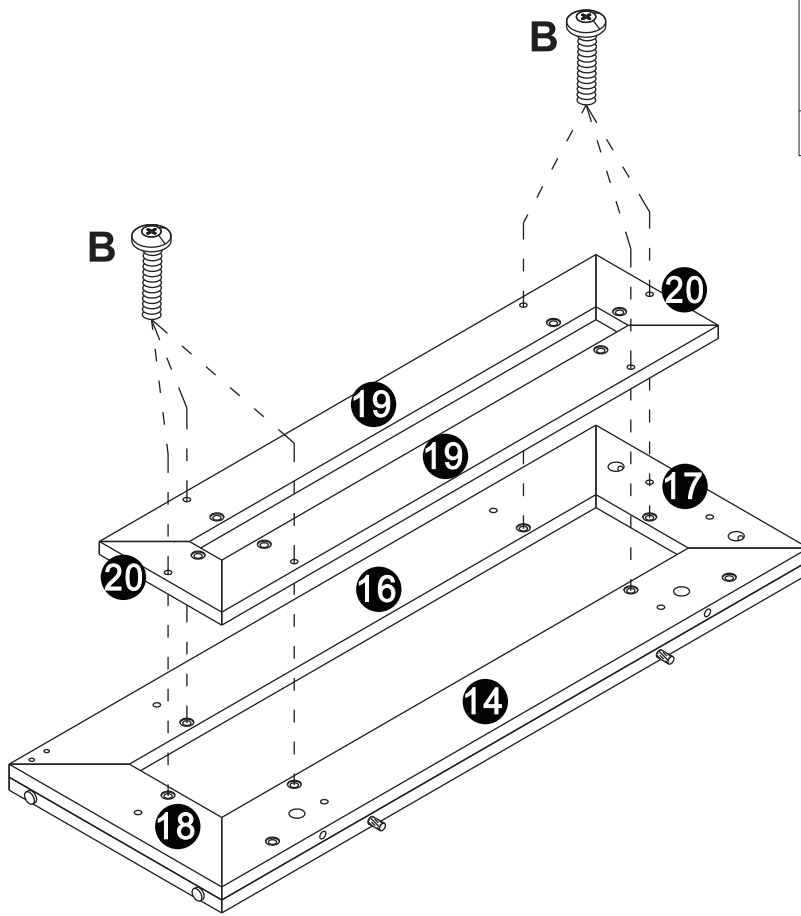


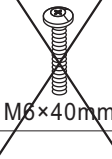

14

A	B
	
M6×40mm	M6×25mm
	7 pcs

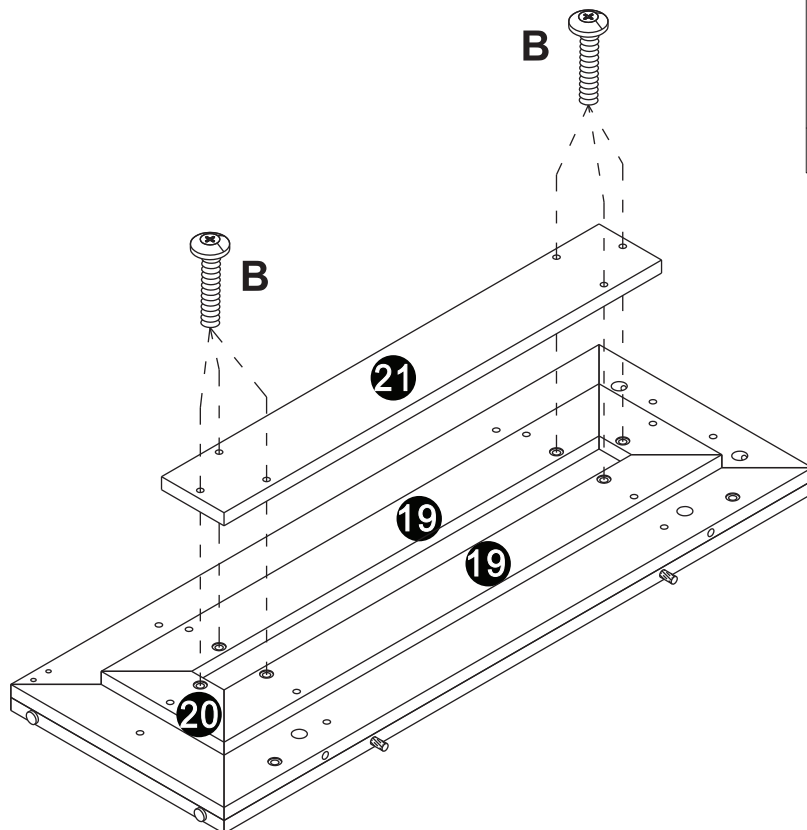


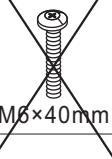

15



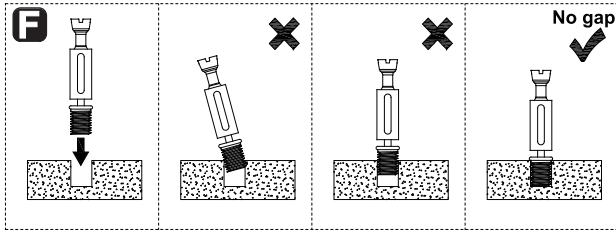
A	B
	
M6x40mm	M6x25mm
	6 pcs


16

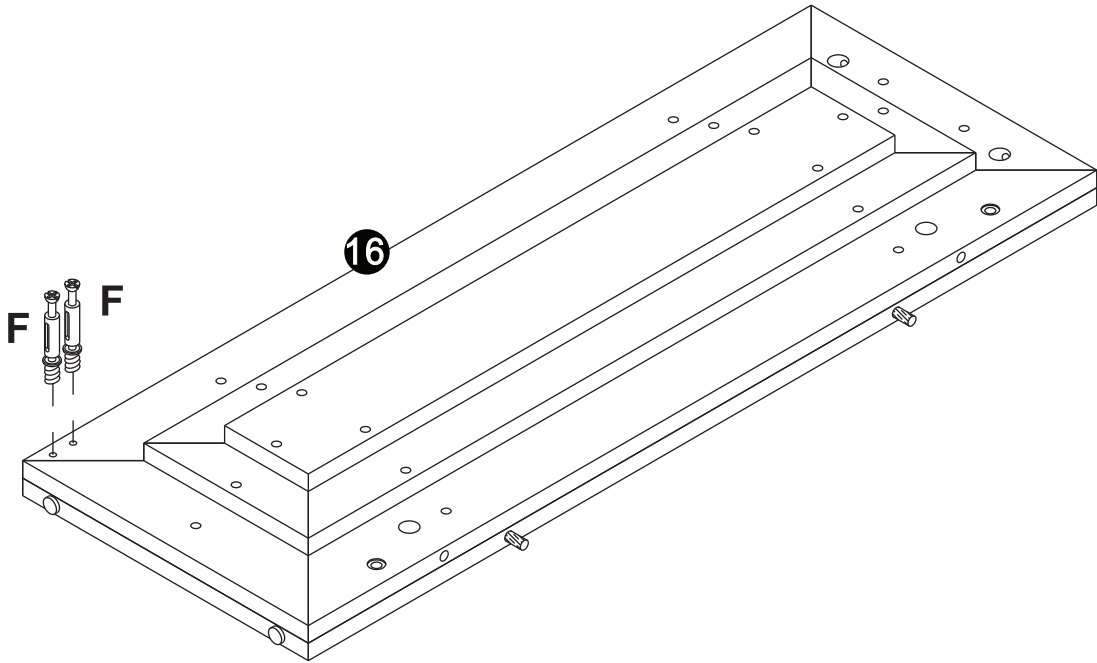


A	B
	
M6x40mm	M6x25mm
	6 pcs

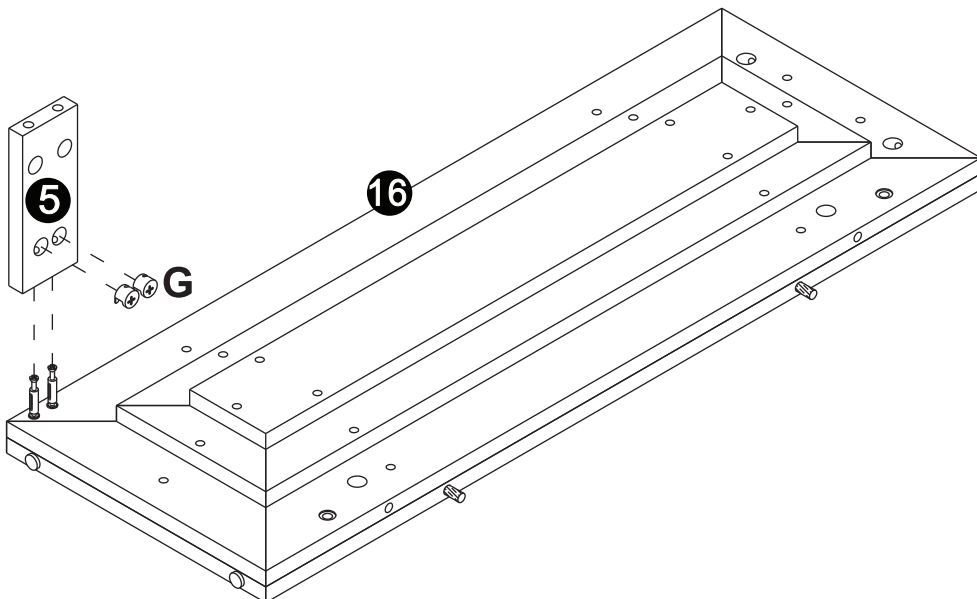
17




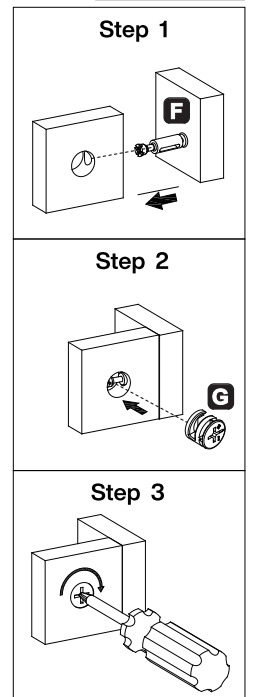
F

M6×44.5mm
2 pcs



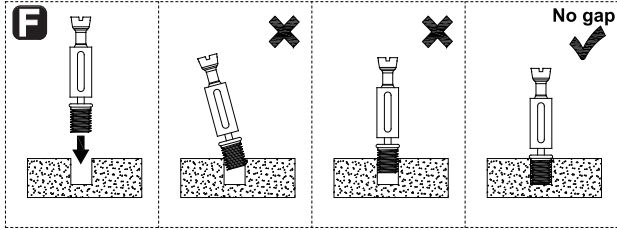
18





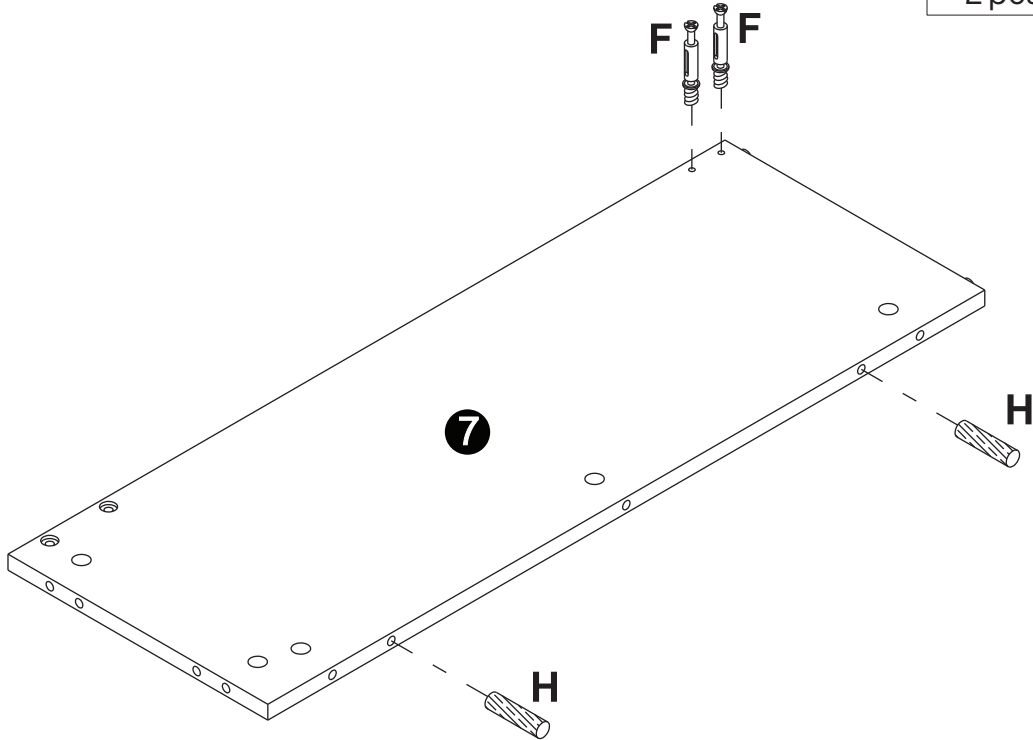
G

Ø15mm
2 pcs



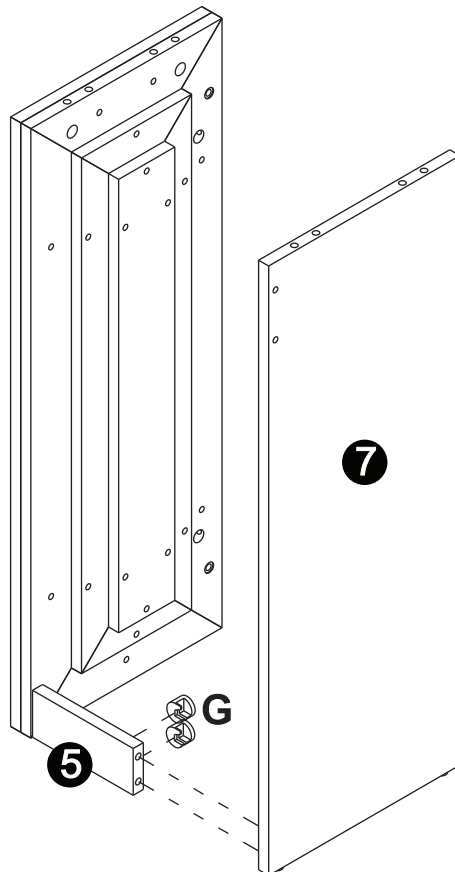
19




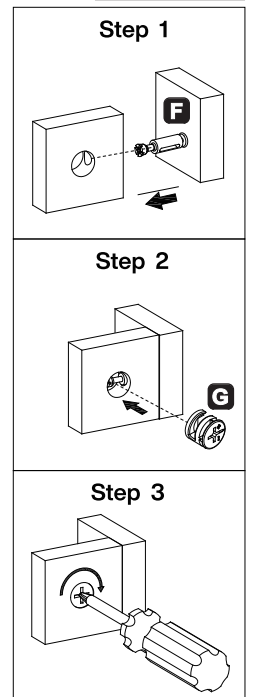
F	H
	
M6×44.5mm	Ø8×30mm
2 pcs	2 pcs



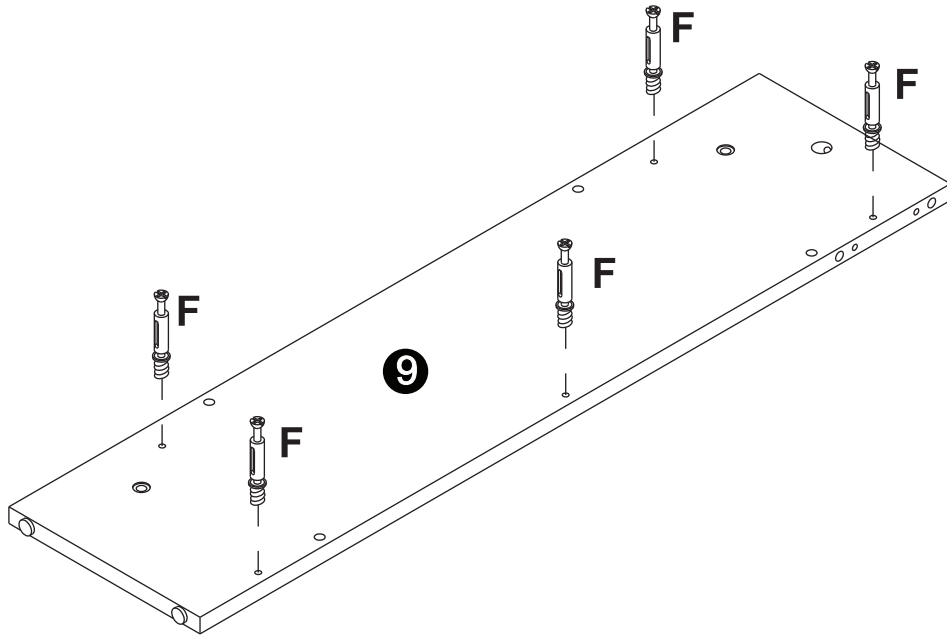
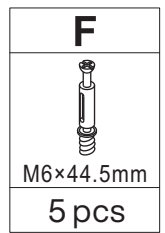
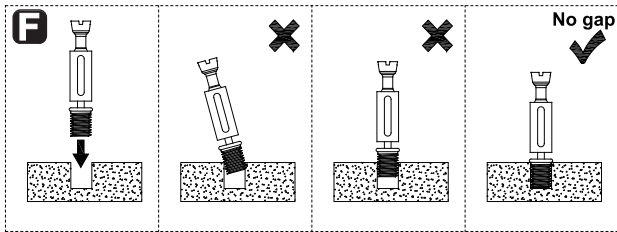
20



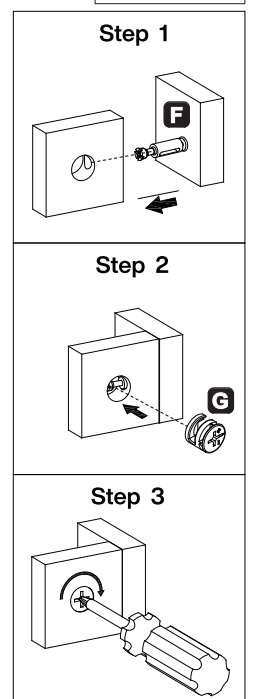
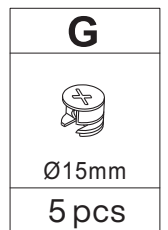
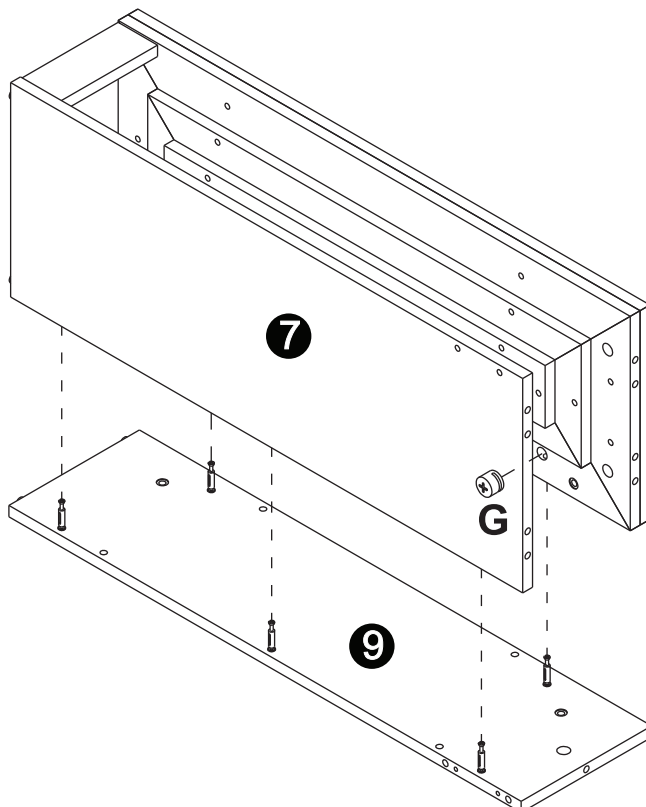
G

Ø15mm
2 pcs




21

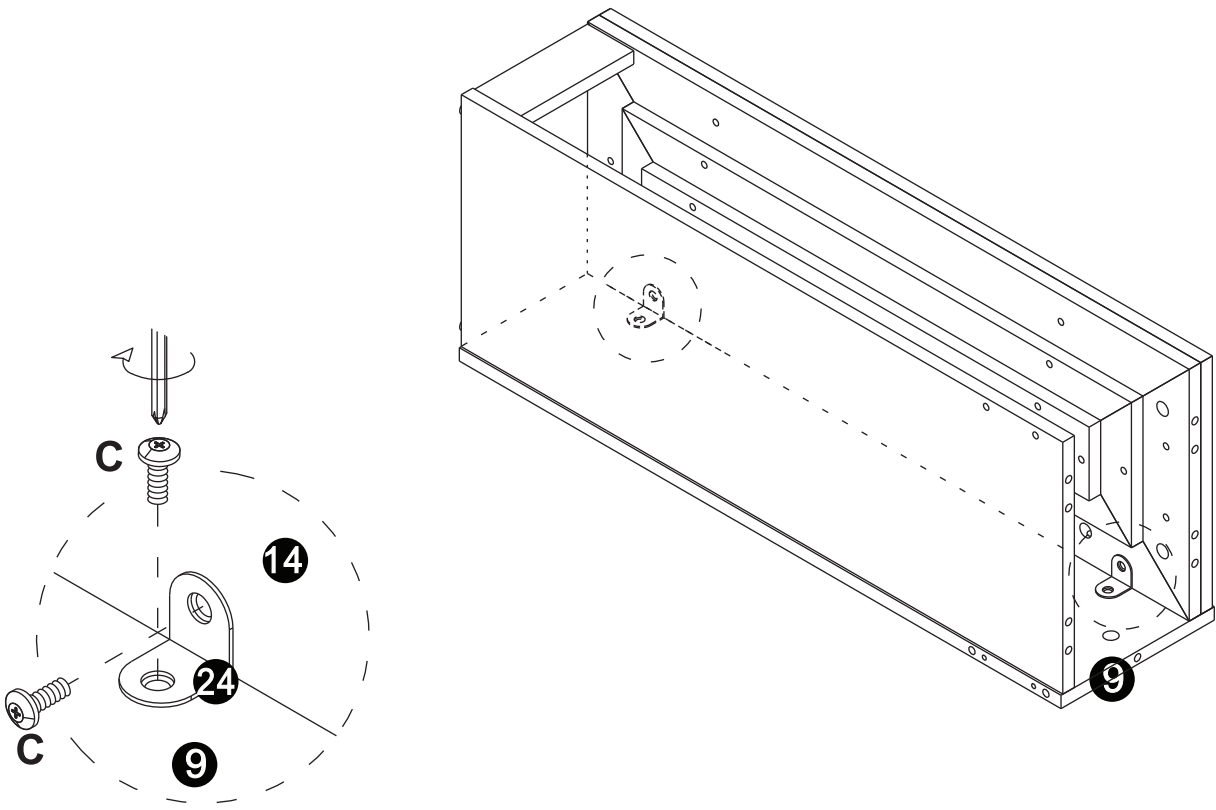


22

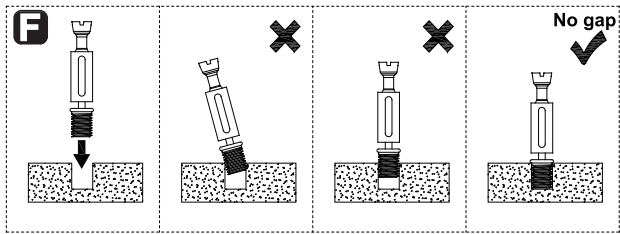




23

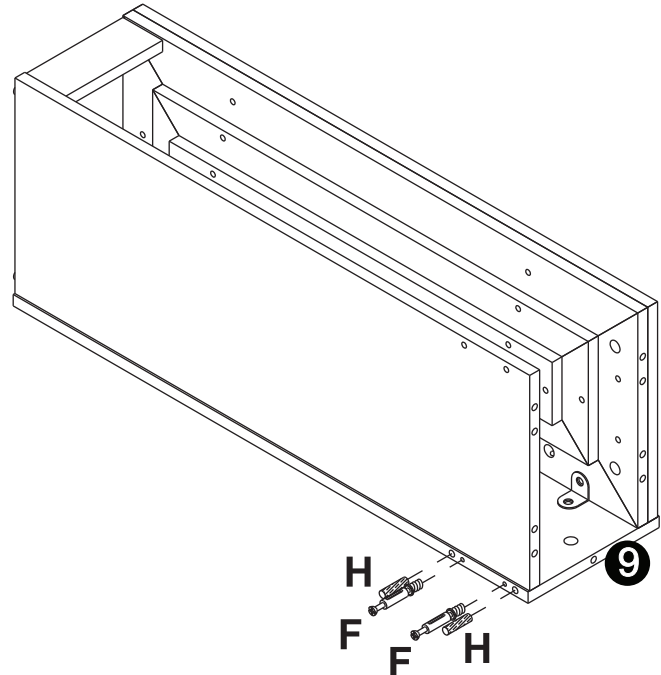
C

M6x12mm
4 pcs



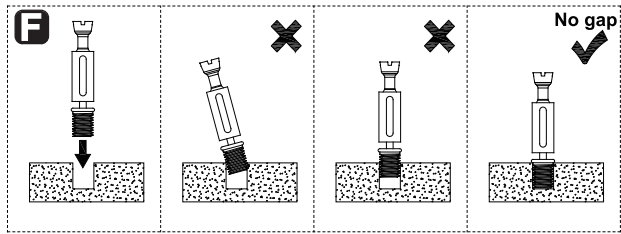
24



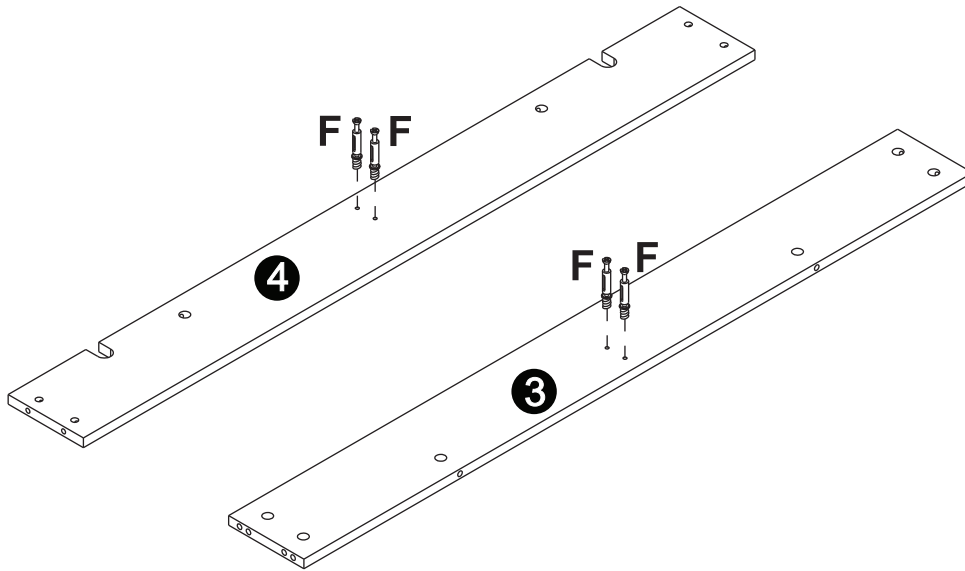
F	H
	
M6x44.5mm	Ø8x30mm
2 pcs	2 pcs



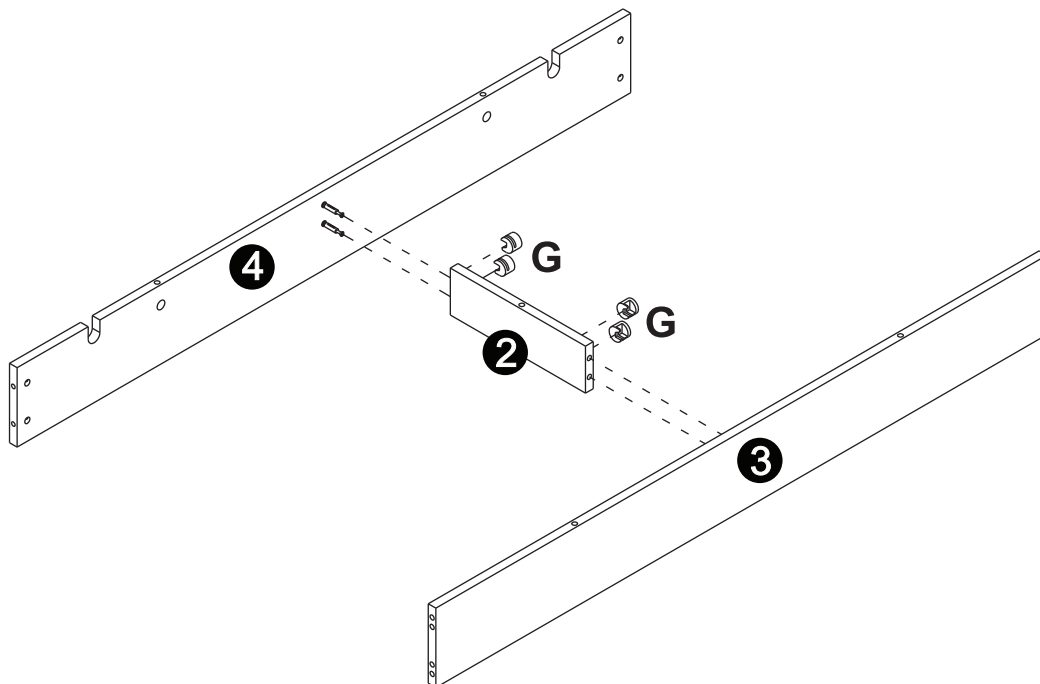
25



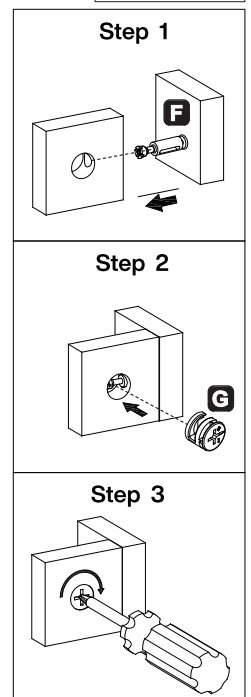
F
M6×44.5mm
4 pcs



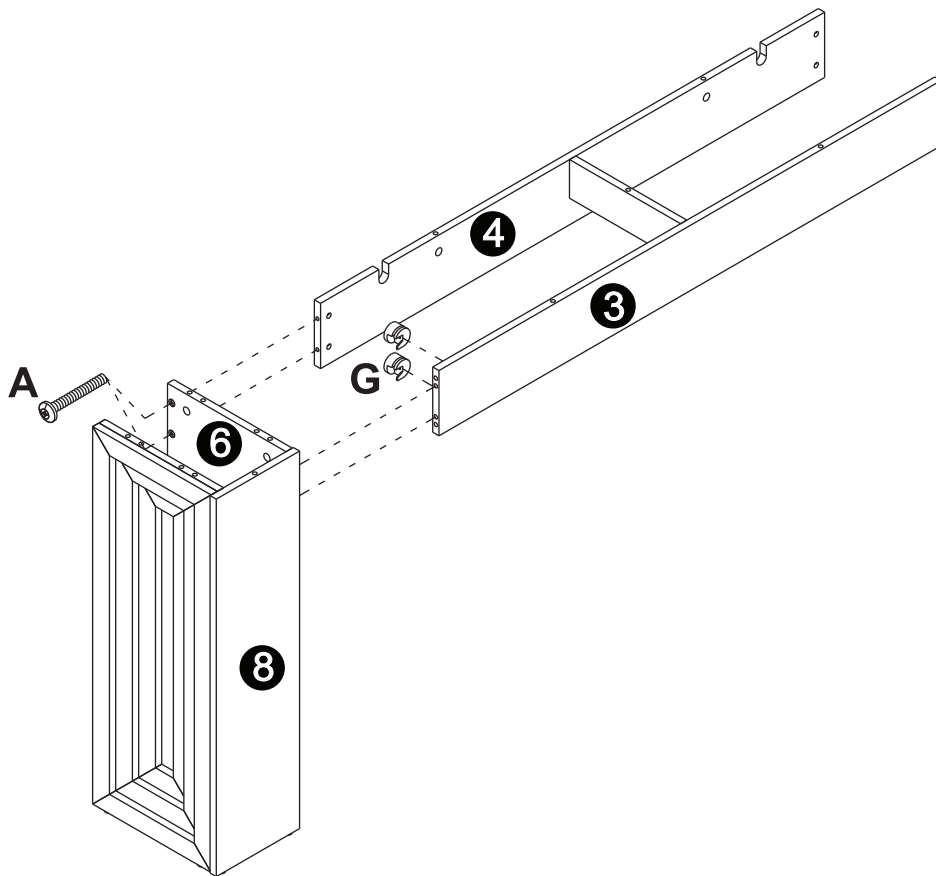
26

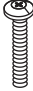



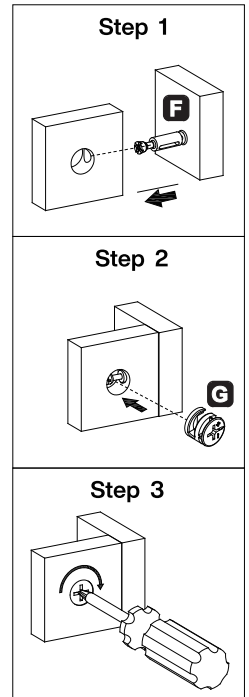
G
Ø15mm
4 pcs



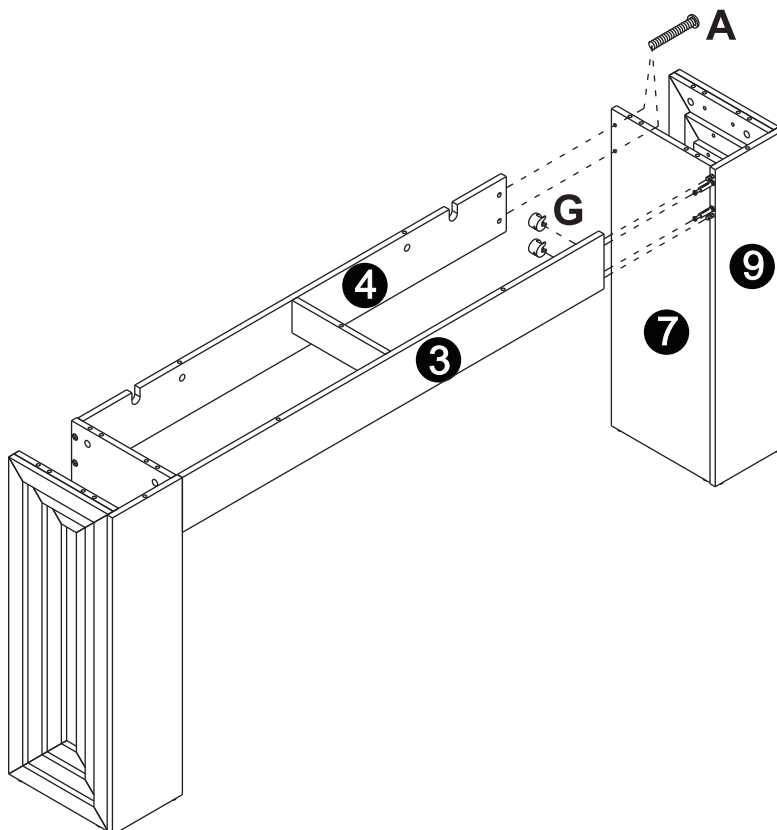
27

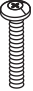



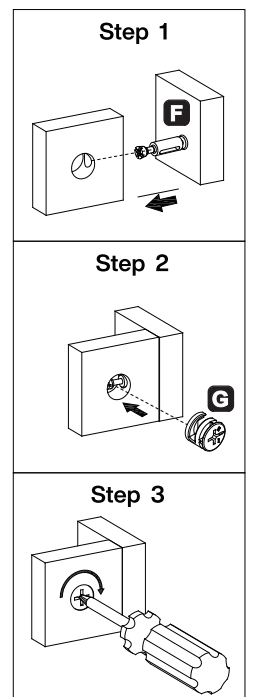
A	G
	
M6×40mm	Ø15mm
2 pcs	2 pcs



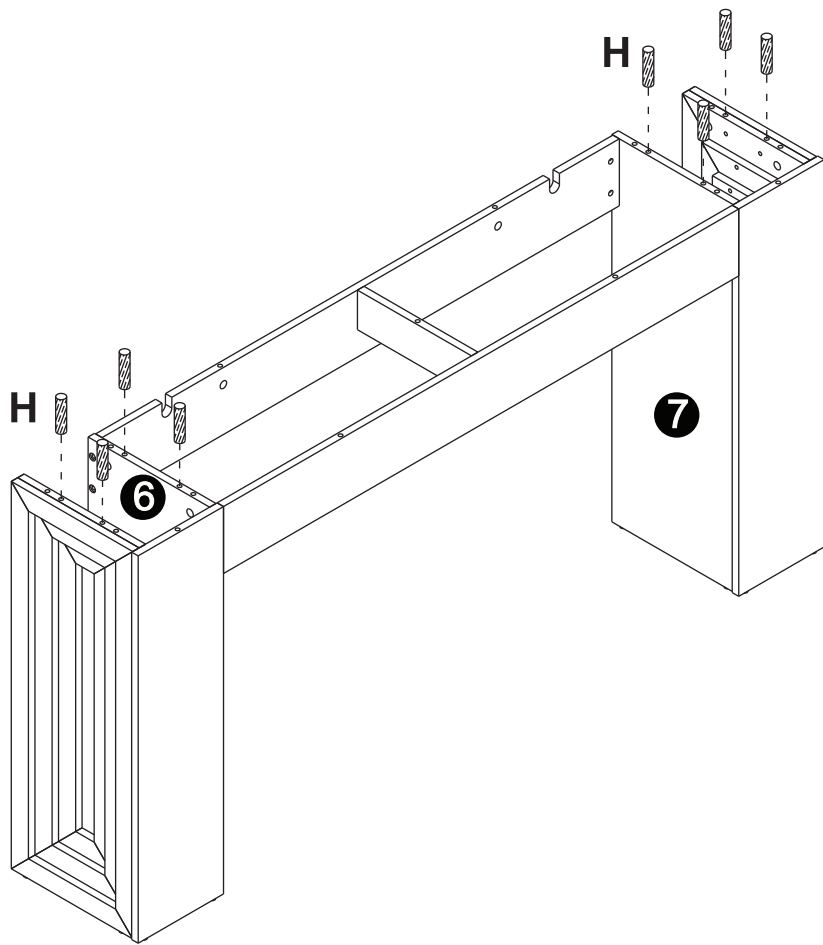
28




A	G
	
M6×40mm	Ø15mm
2 pcs	2 pcs

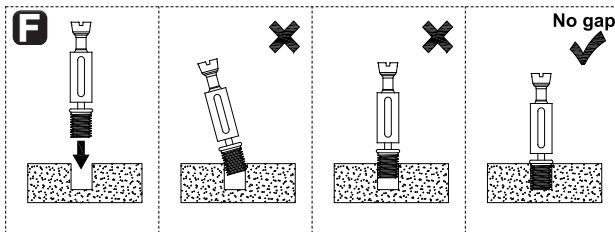




29

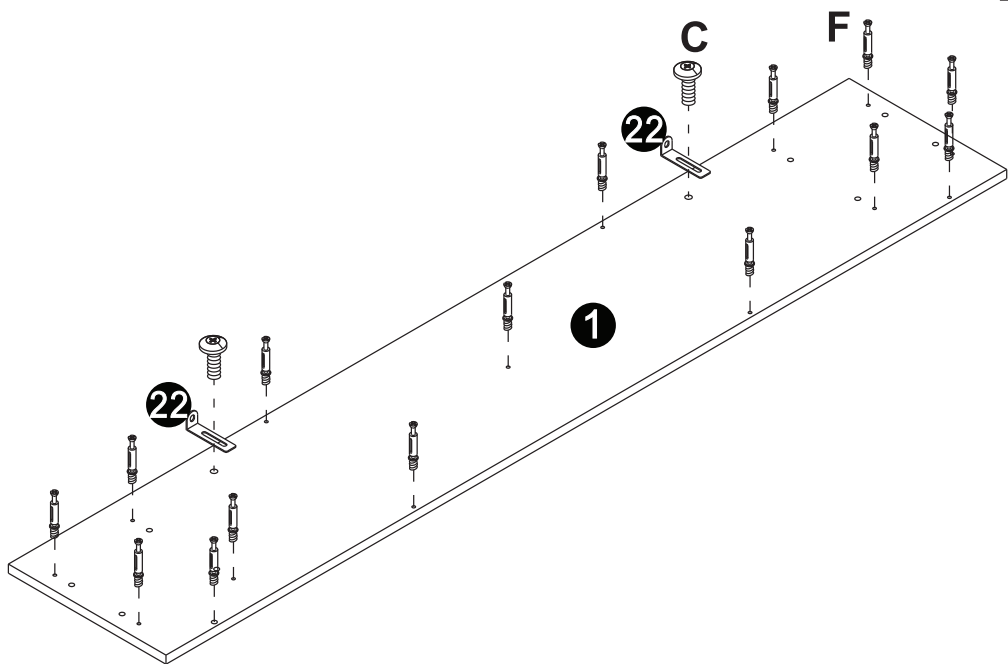


H

Ø8x30mm
8 pcs

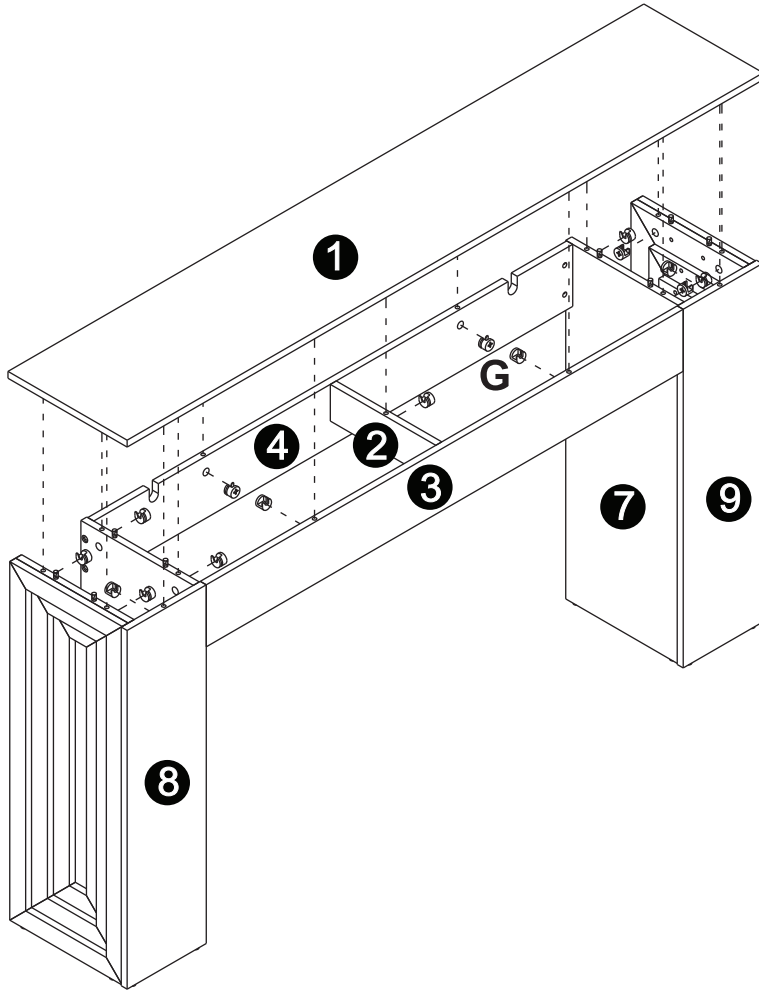
30




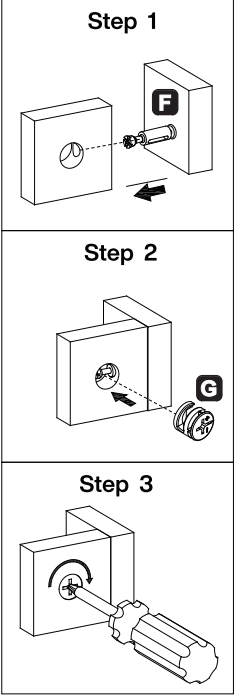
F	C
	
M6x44.5mm	M6x12mm
15 pcs	2 pcs



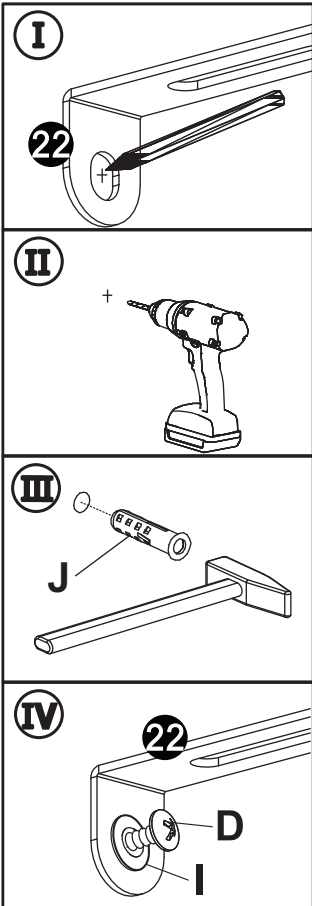
31

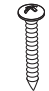




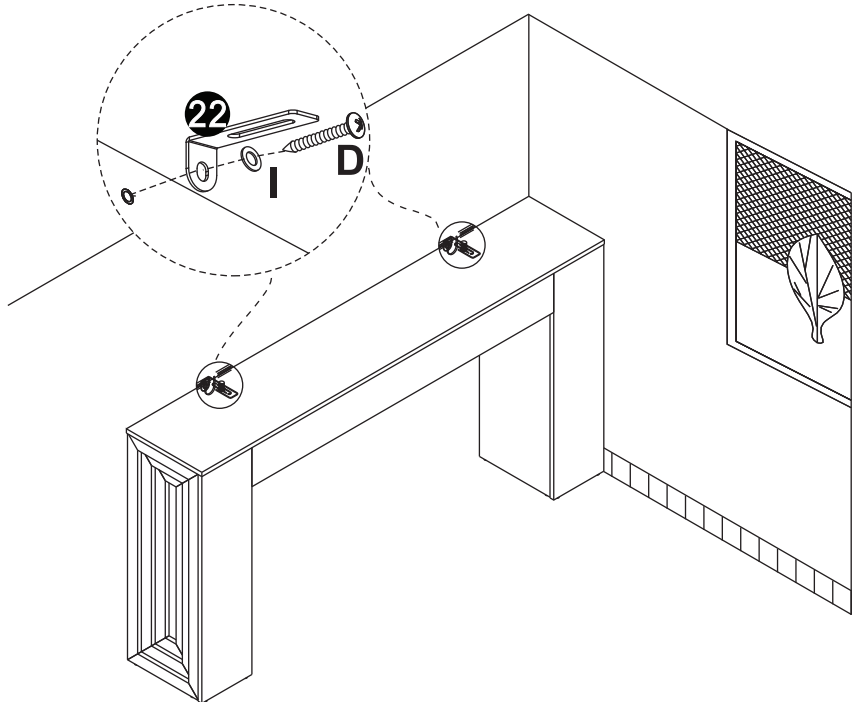
G

Ø15mm
15 pcs



32



D	I	J
		
4×24.5mm	Ø16×Ø6.2mm	
2 pcs	2 pcs	2 pcs



Thank you for your support!

