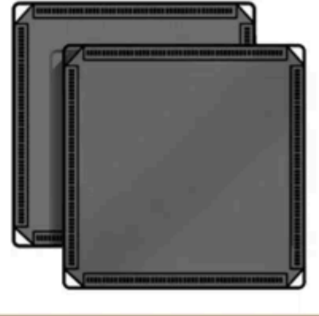





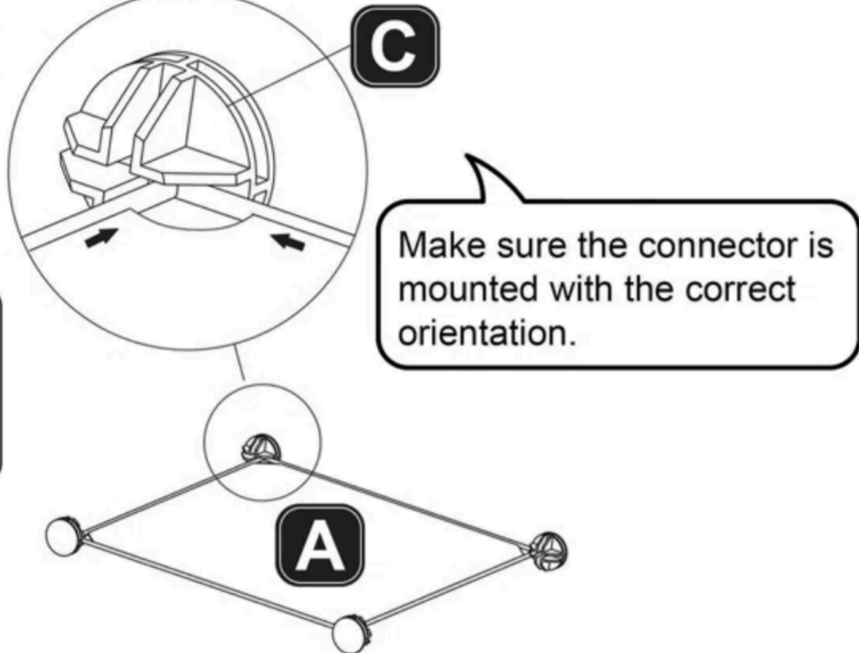


# Assembly Guide | Cube Storage

## Parts List

|   |   |   |   |
|---|---|---|---|
| <br>Panels - A | <br>Feet - B | <br>Connectors - C | <br>Tools - Hammer |
|---|---|---|---|

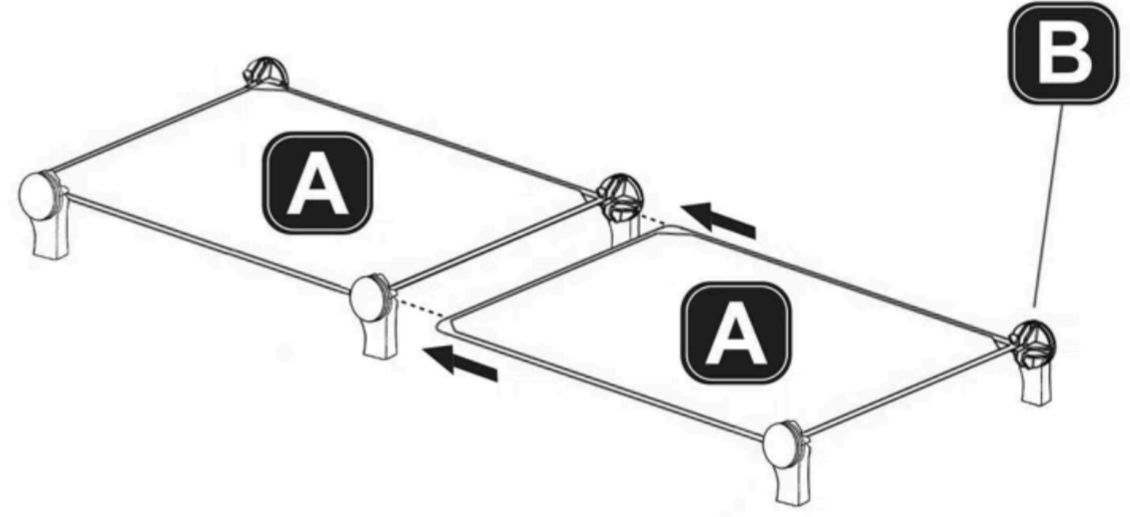
### Step 1



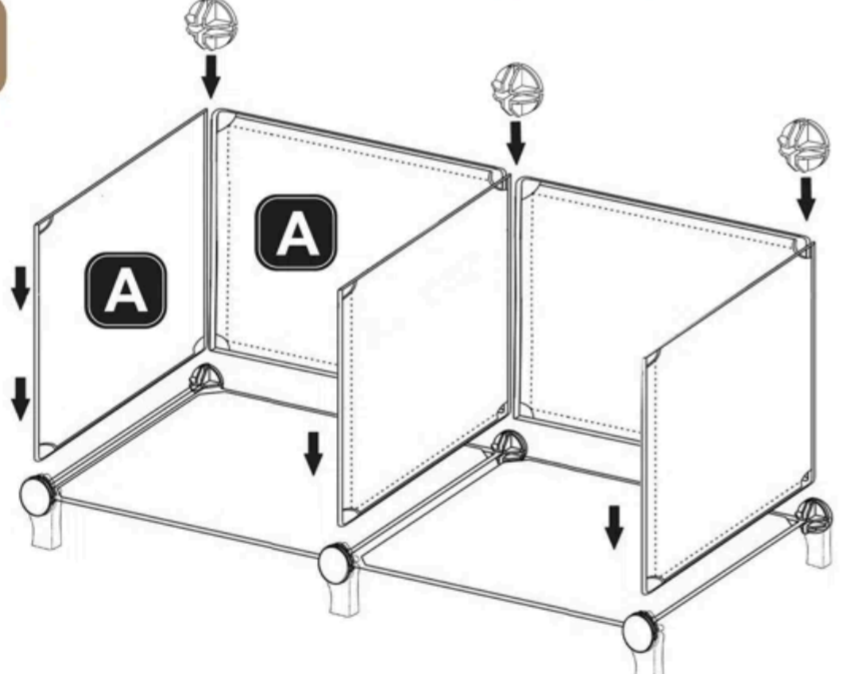
Make sure the connector is mounted with the correct orientation.

**A** x 1  
**C** x 4

### Step 2

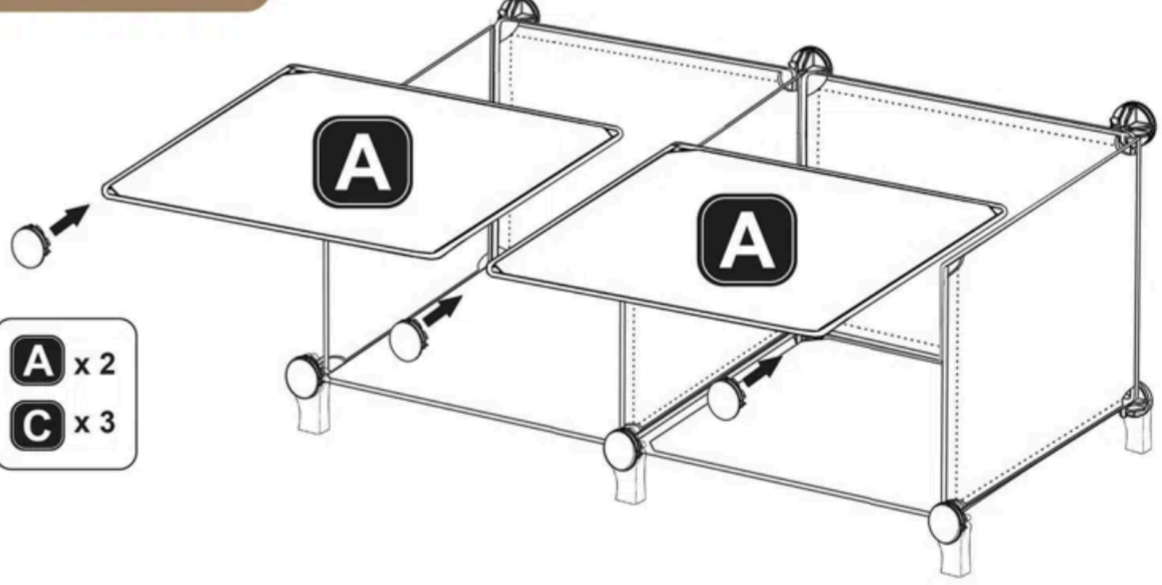


### Step 3



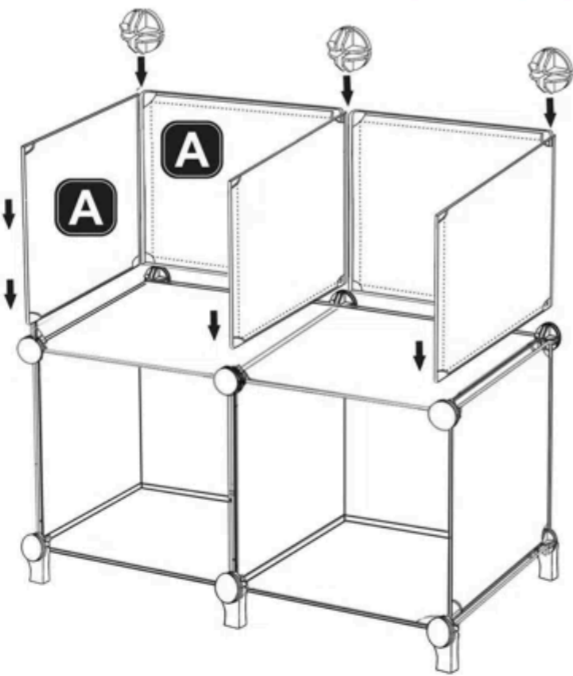
**A** x 5  
**C** x 3

### Step 4



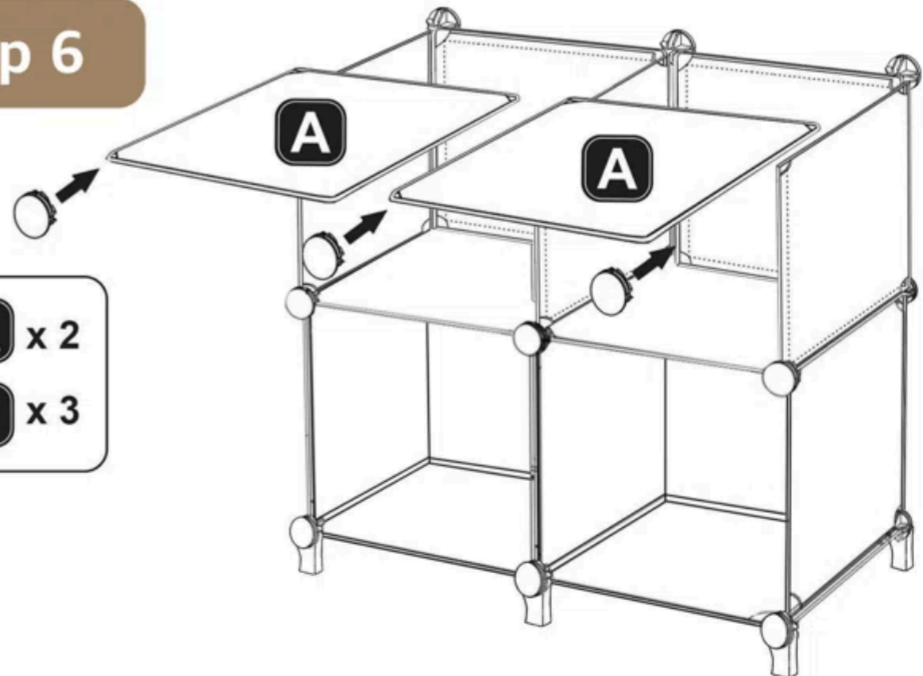
**A** x 2  
**C** x 3

### Step 5



**A** x 5  
**C** x 3

### Step 6



**A** x 2  
**C** x 3