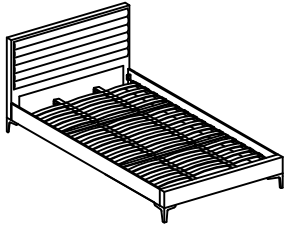


# ASSEMBLY INSTRUCTION

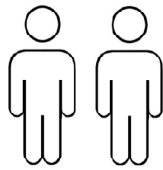
## KING



### + Do Not Use Power Tools



### + Suggested Adults



#### NOTE:

- 1 Read instructions cover to cover.
- 2 Save all packaging until assembly is completed.

### 1 IMPORTANT SAFETY INFORMATION

**Do not** assemble the product if any of the following parts arrived damaged:

- Part # - Side Rails
- Part # - Center Support Bar
- Part # - Support Legs
- Part # - Slats

### 2 IMPORTANT ASSEMBLY INFORMATION

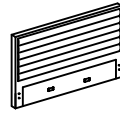
**Assembly Step** Ensure the side rail bracket is fully hooked onto bolt loosely threaded with both washers on the **OUTSIDE** of the bracket first, then proceed to fully tightening all 4 corners.

**Assembly Step** When installing slats, ensure that the curve is facing upwards. (↖) (↘)

\*Slats come packed in the bottom of headboard carton.

### + Parts Included

- ① Headboard (1 of pc)      ② Footboard (1 of pc)      ③ Side Rail (2 of pcs)



- ④ Leg (4 of pcs)      ⑤ Center Rail (2 of pcs)      ⑥ Support Leg (6 of pcs)



- ⑦ Slat (42 of pcs)      ⑧ Middle Holder (28 of pcs)      ⑨ End Holder (28 of pcs)



- ⑩ Stiffener Slat (2 of pcs)



### + Hardware Included

- A JCBB M8x30mm (8 of pcs)      B JCBC M6x40mm (6 of pcs)      C Allen Key M5 x 70mm (1 of pc)



- D Allen Key M4 x 65mm (1 of pc)      E CSK M4 x 16mm (12 of pcs)      F CSK M4 x 25mm (16 of pcs)



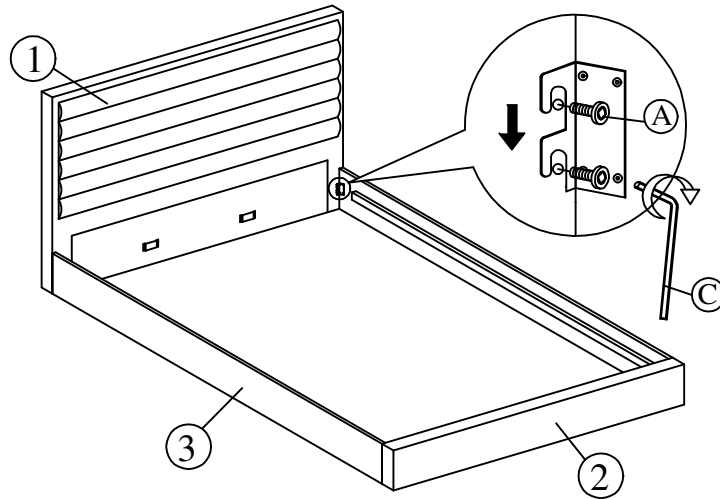
- G CSK M4 x 32mm (8 of pcs)      H Flat Washer (12 of pcs)      I Adjuster (6 of pcs)



# ASSEMBLY INSTRUCTION

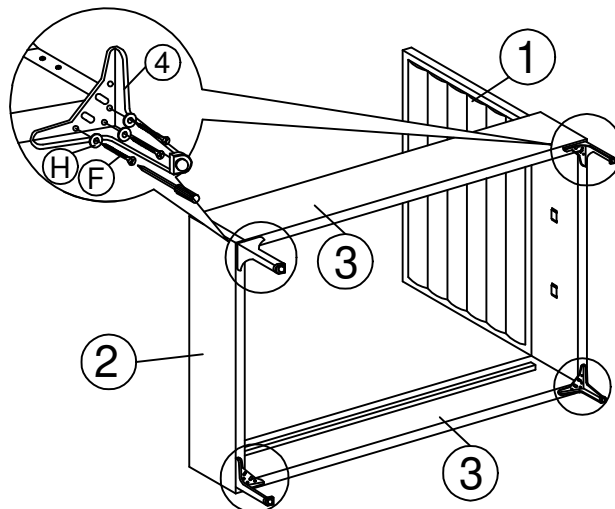
## KING

①



②

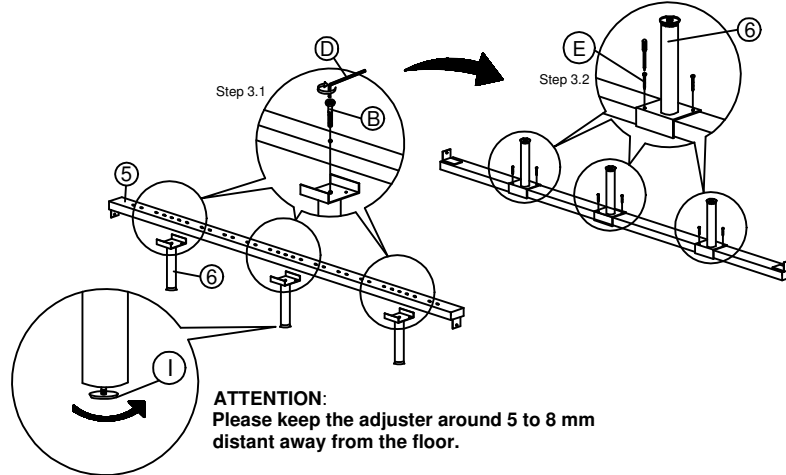
Tilt frame to one side to attach the legs onto the side rails and headboard.  
Note: There are no pre-drilled holes.  
Please use the wood screws to attach into the wood frame.



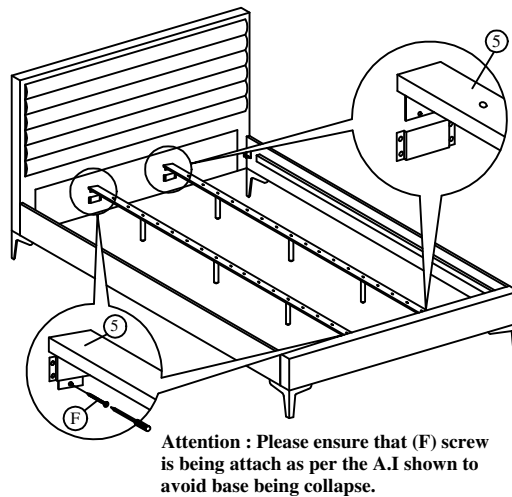
# ASSEMBLY INSTRUCTION

## KING

3



4



5

When installing slat, ensure that curve is facing upwards. (✓) (X)

