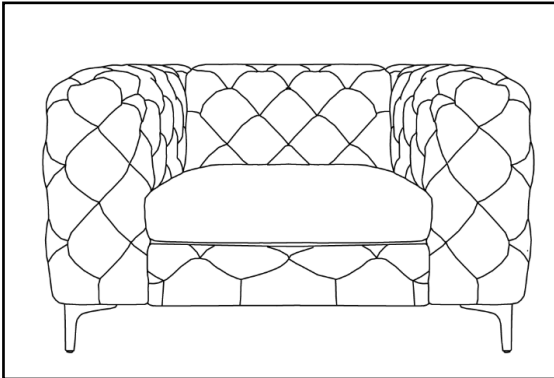
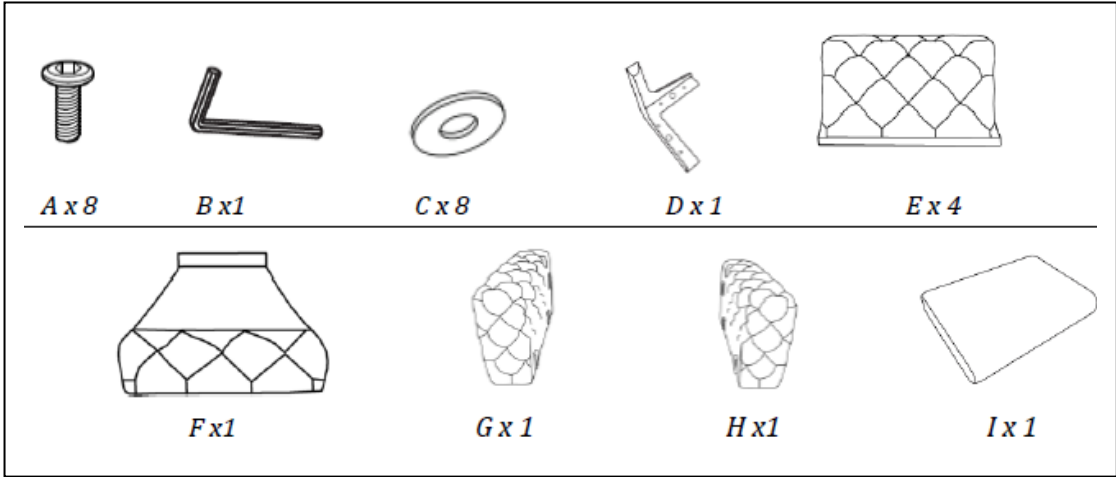


# SOFA CHAIR ASSEMBLY INSTRUCTION

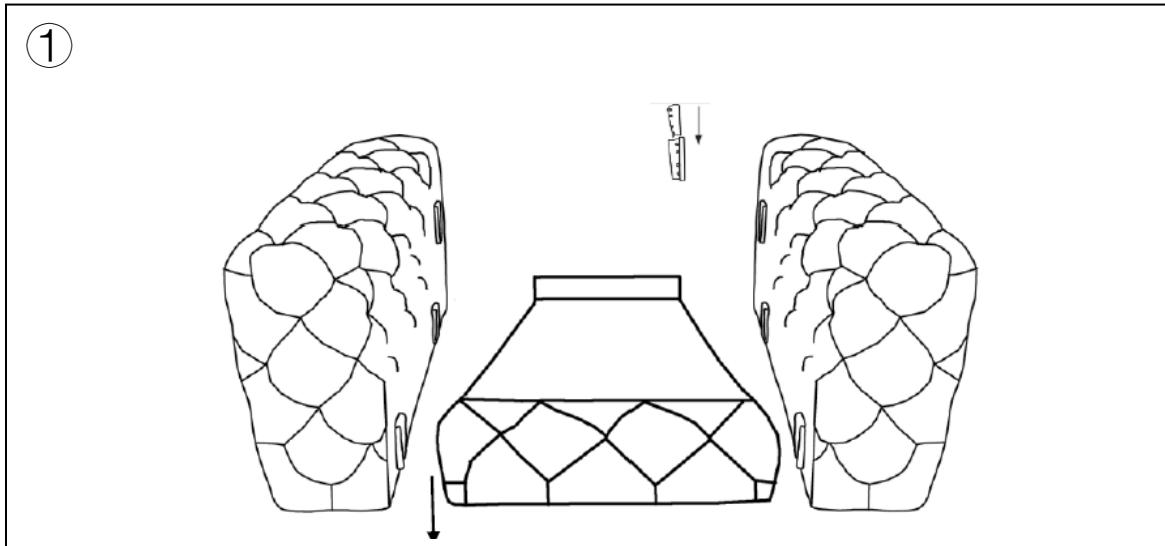


Part	DESCRIPTION	Quantity
<b>PARTS LIST</b>		
<b>Hardware</b>		
A	Bolts M6*45	8
B	Allen Key	1
C	Washers	8
<b>Hardware</b>		
D	Sofa Feet	4
E	Sofa Back	1
F	Sofa Base	1
G	Right Armrest	1
H	Left Armrest	1
I	Seat Cushion	1

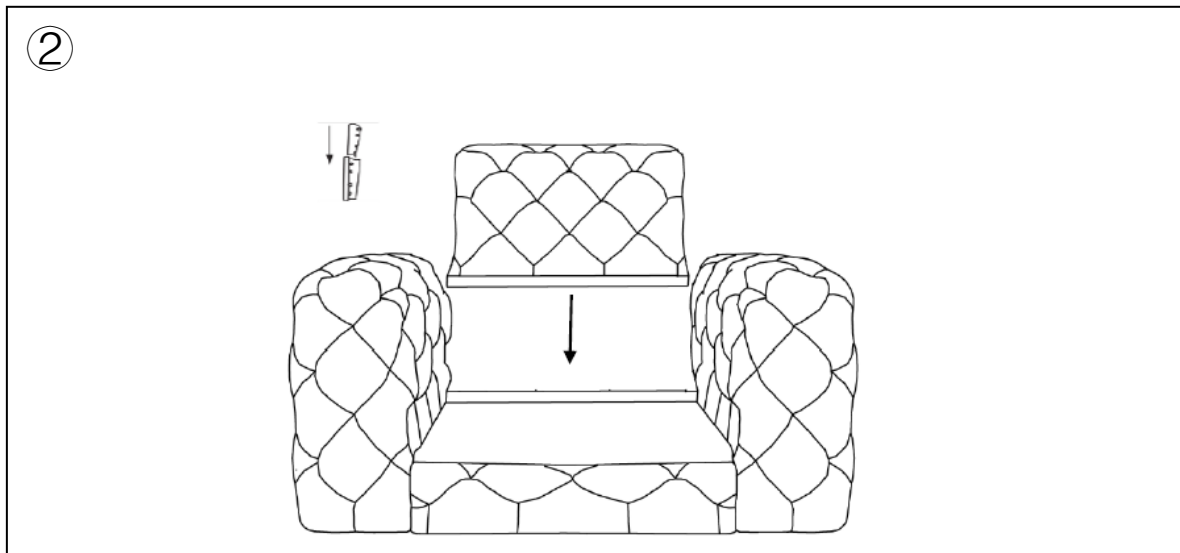


# PLEASE READ AND FOLLOW ALL SAFETY TIPS

1. Locate the Sofa Base(F) to Armrests(G & H) together by inserting latches within each from top to bottom. (Photo 1).

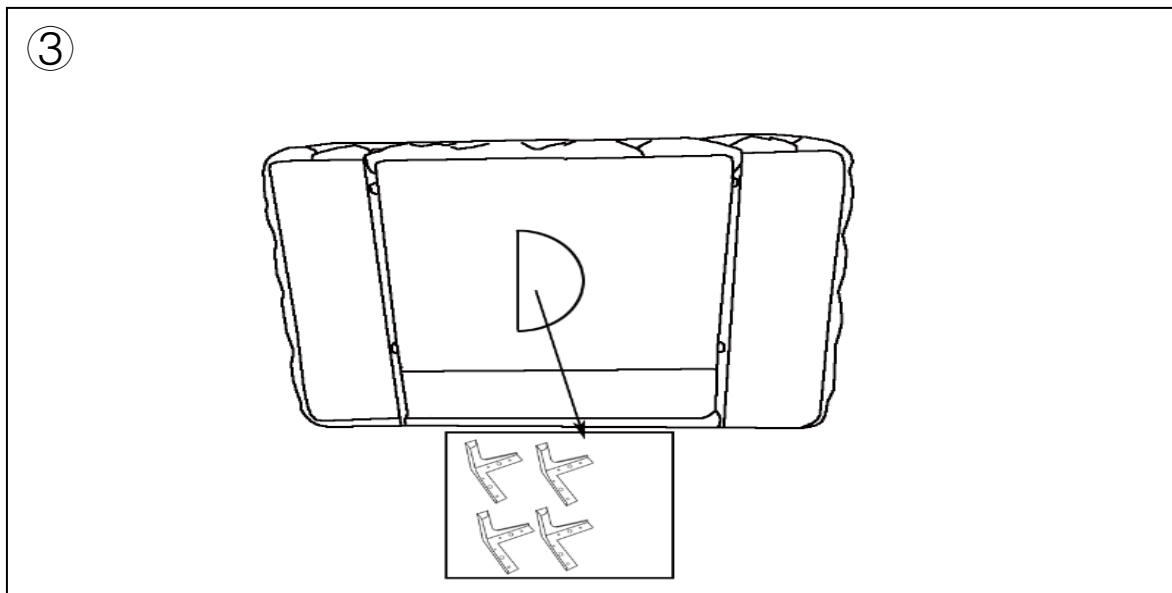


2. Embed Sofa Back(E) on top of Sofa Base(F) by inserting latches within each from top to bottom. (Photo 2)



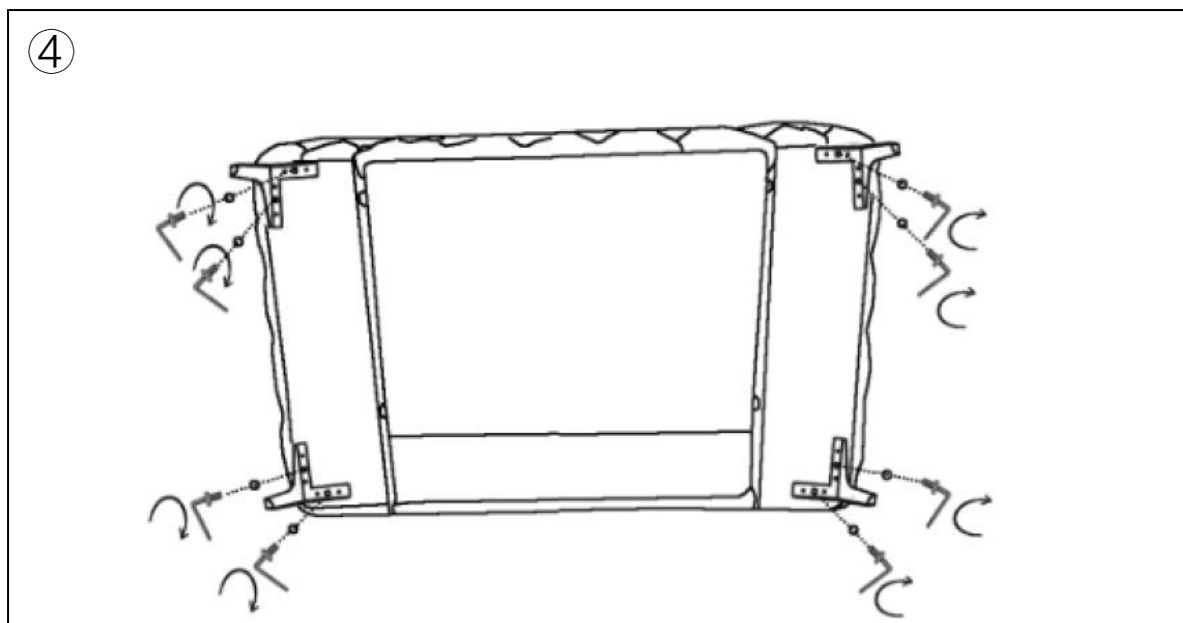
3. Open the trunk beneath the Sofa Base(F) to find the Sofa Feet(D). (Photo ③)

③

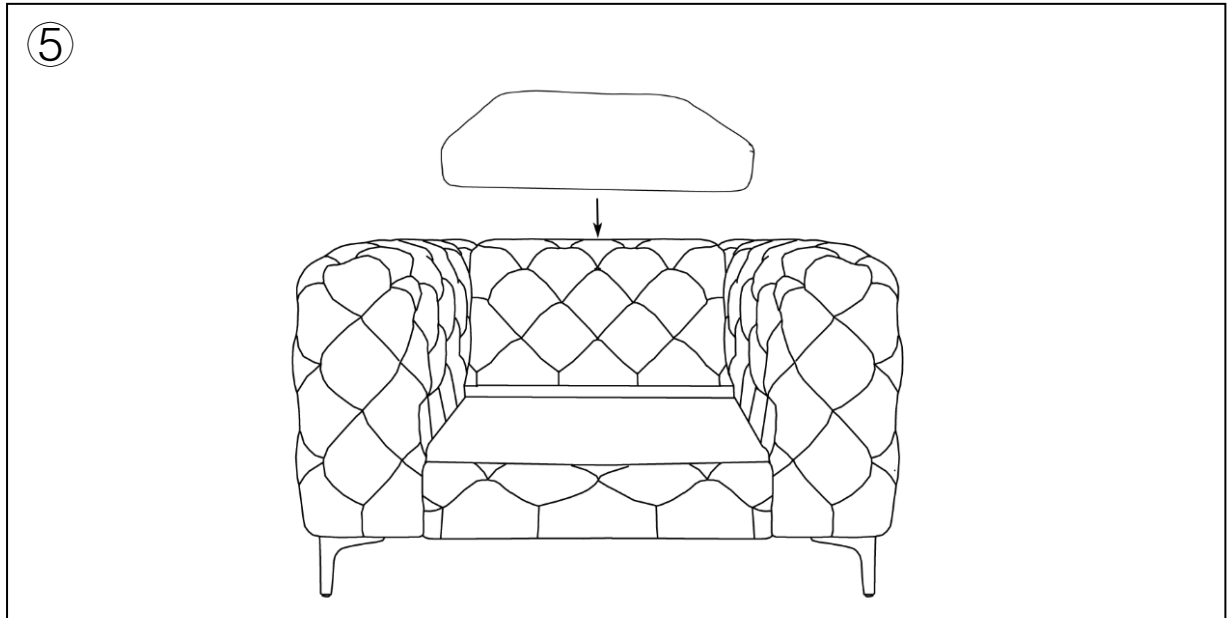


4. Locate each Sofa Feet(D) to each corner beneath the Sofa Base(F) by the pre-drilled threads. Fasten Bolts(A) and Washers(C) to combine Sofa Base(F) and Sofa Feet(D) with Allen Key(B). (Photo ④)

④



5. Put Seat Cushion(I) on top of Sofa Base. (Photo⑤)



Till now you have finished the whole assembly, enjoy your sofa!