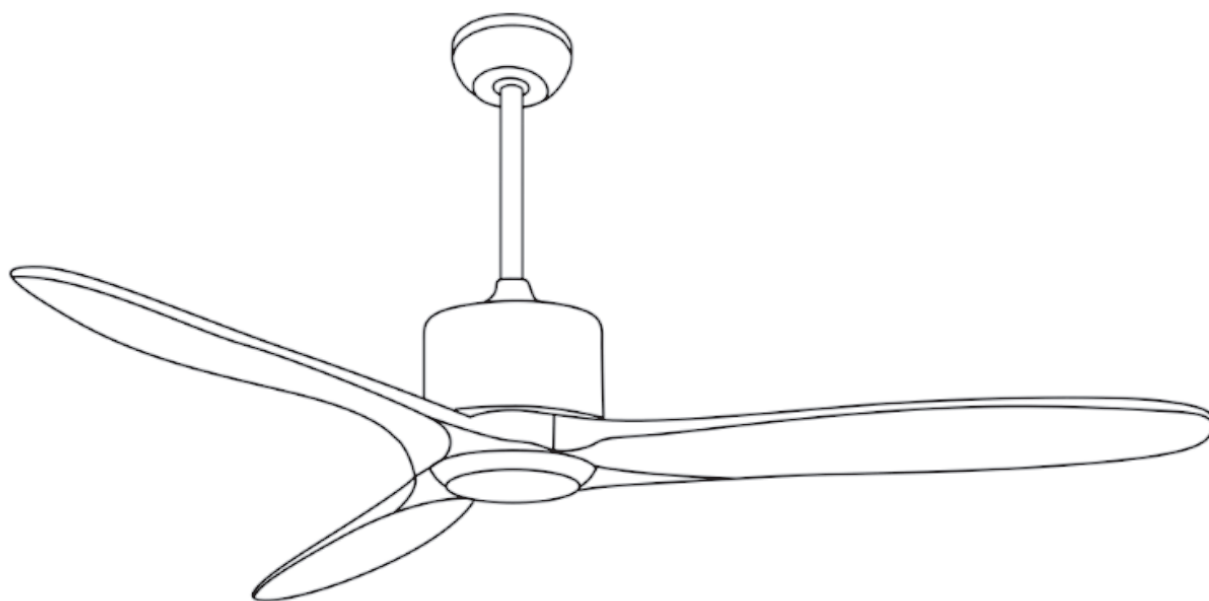
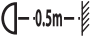


# OWNER'S MANUAL



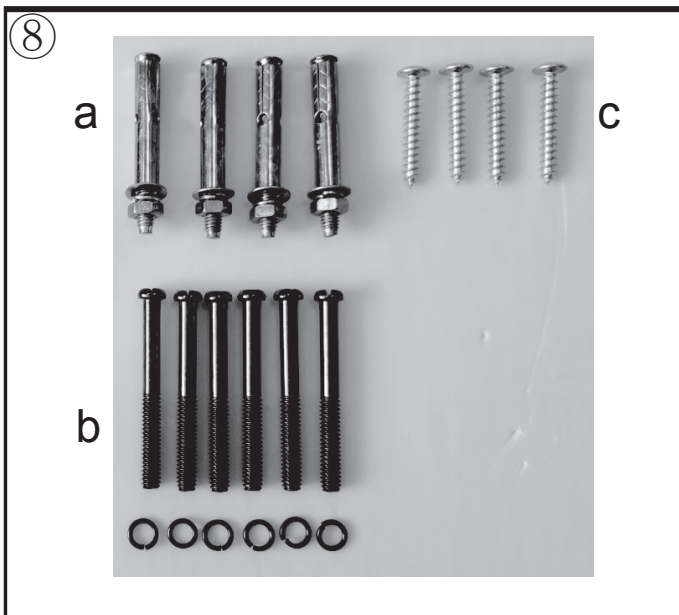
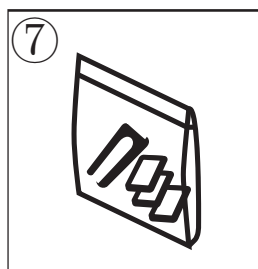
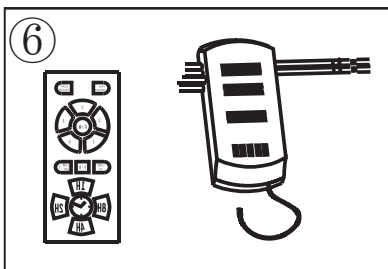
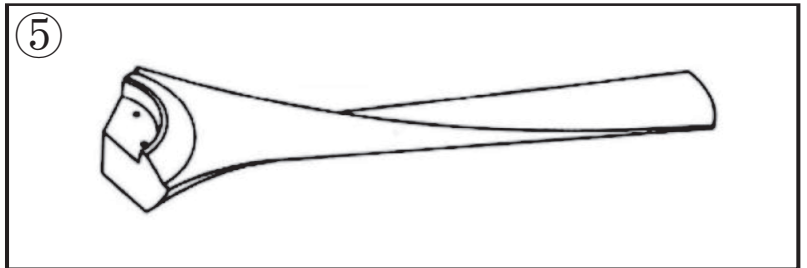
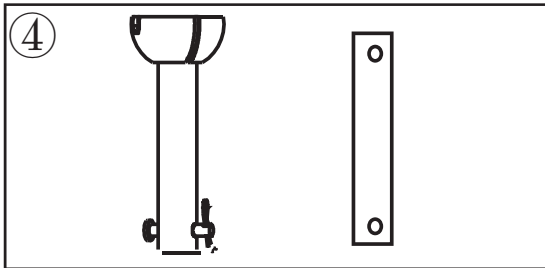
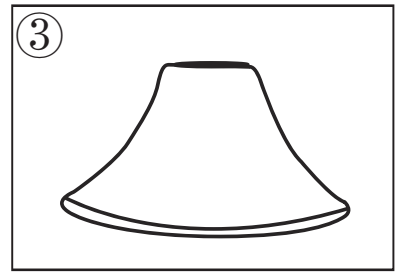
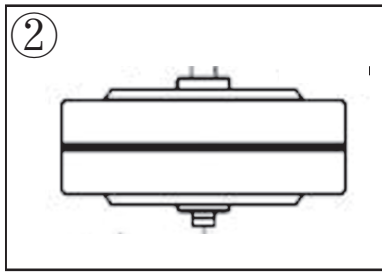
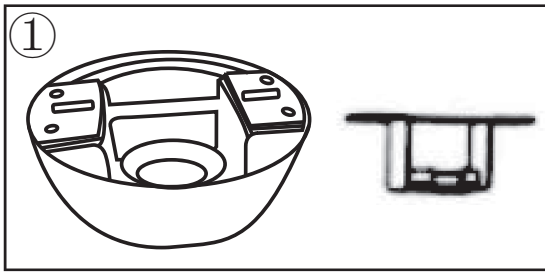
# SAFETY TIPS

## READ AND FOLLOW THESE INSTRUCTIONS

1. Proceed with caution. Read all instructions before beginning the installation.
2. Only an authorized electrician should execute the installation.
3. The installation height, i.e. the distance between the blades and the floor, should be at least 2.3 m.
4.  Always maintain the distance between the lamp and inflammable materials (curtains, wall, etc.), as indicated on the pictogram.
5. Make sure the fan is securely fastened at the ceiling.
6. WARNING! Do not use a dimmer type switch to control the fan speed.
7. WARNING! To prevent injuries, make sure the blades are not bent and that there are no objects with in the area of rotation.
8. WARNING: Do Not use this fan in the same room at the same time as a gas or fuel burning fire, unless the flue has been tested under these conditions of use by a competent person.
9. This appliance can be used by children aged from 8 years and above and persons with reduced physical, sensory or mental capabilities or lack of experience and knowledge if they have been given supervision or instruction concerning use of the appliance in a safe way and understand the hazards involved. Children shall not play with the appliance. Cleaning and user maintenance shall not be made by children without supervision.
10. Before disassembling light kit, make sure the power supply is disconnected from the main supply. Power supply can be on only after installation is completed.
11. The lampshade should not be removed from the light kit when the power supply is on.
12. Replacement of light source is only possible when the light kit has cooled down, and the power supply is disconnected from the main supply.
13. Make sure the lampshade is in the fixed position when operating the product.
14. Means for all poles disconnection having a contact separation that provide full disconnection under over voltage category III conditions must be incorporated in the fixed wiring in accordance with national wiring rules.
15. IP20. The fan is designed for indoor use. Please ensure that the light does not come into contact with water.
16. Installation method varies for different styles and structure. Please refer to factory or your local safety regulations.

# PARTS LIST

Unpack your fan and check the contents. You should have the following items:



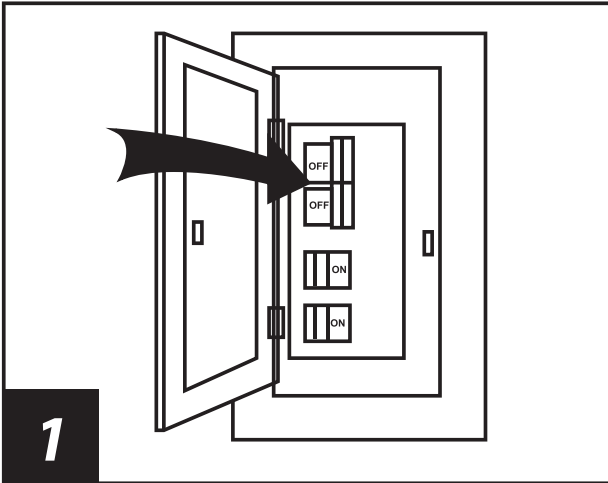
## Part List

- 1.Canopy & Hanger
- 2.Motor
- 3.Splice Closure
- 4.Down Rod 13cm/25cm
- 5.Blades
- 6.Remote Control & Receiver
- 7.Balance Kit
- 8.Hardware Pack

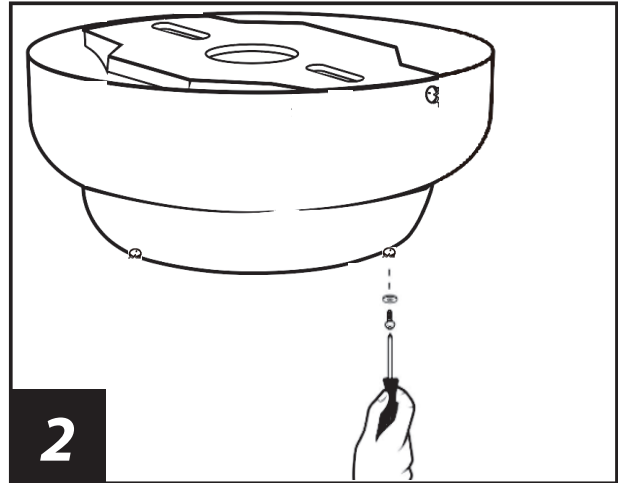
## Hardware Pack List

- a.Expansion Screw X4
- b.M6 Screw & Spring ring X6
- c.Screw X4

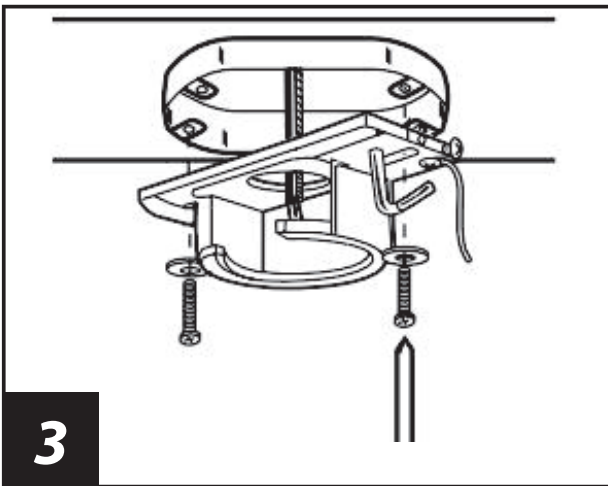
# INSTALLATION



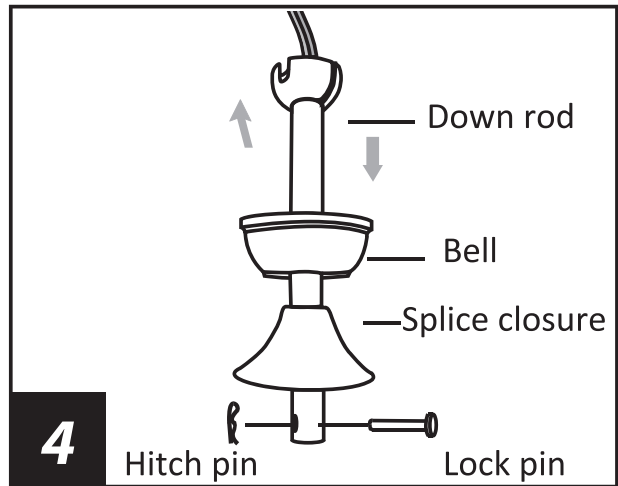
**1** Unpack and inspect fan carefully to be certain all contents are included. Turn off power at fuse box to avoid possible electrical shock.



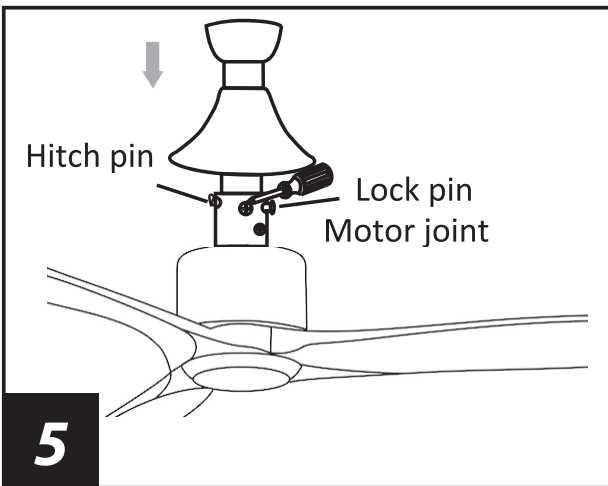
**2** Remove the screw and washer from the two mating holes on the canopy. Loosen (do not remove) the screws in the mating slots on the canopy. Rotate the mounting bracket and remove it.



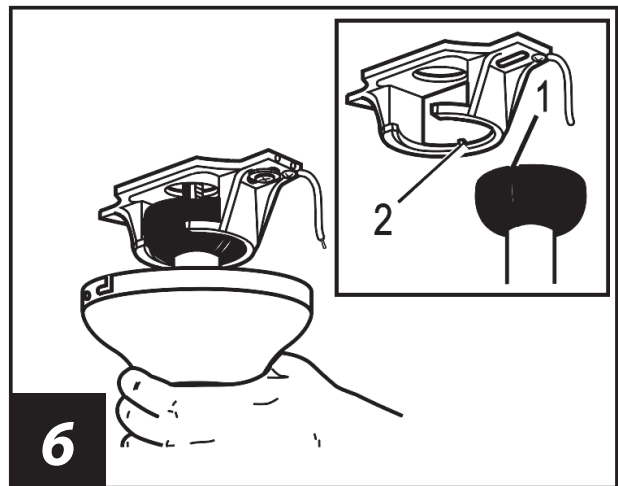
**3** Securely screw the mounting bracket to the ceiling. For suspended ceiling wooden screws lock the bracket to ceiling joist (thickness > 30mm) directly. For cement ceiling, drill holes (M8 Depth 40) and lock the bracket with explosion screws. The ceiling and bracket should be able to hold the weight at least 30kg.



**4** Remove the hitch pin and lock pin from the down rod. Slide the bell and splice closure off the down rod. Thread electrical wires through down rod.

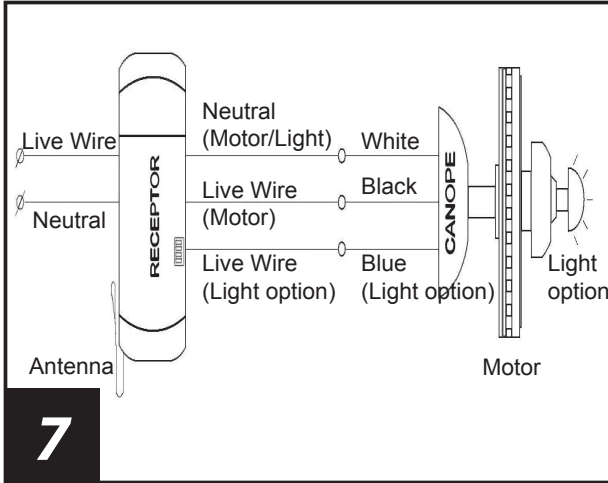


**5** Insert the down rod into motor joint. Align holes and insert hitch pin and lock pin. Tighten yoke set screw securely. Slide the splice closure to the top of motor.

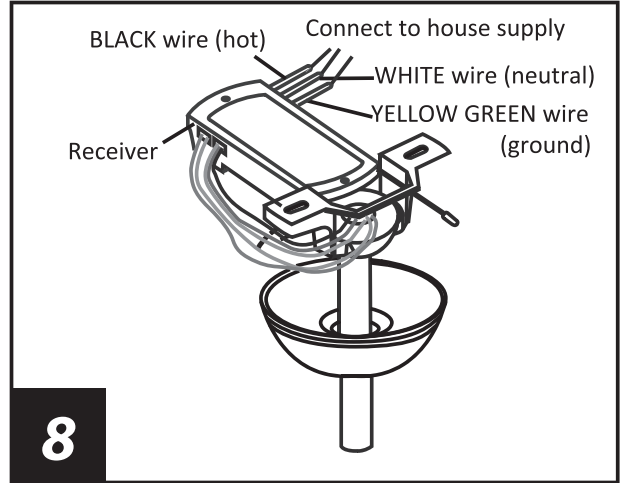


**6** Carefully lift fan assembly onto mounting bracket. Rotate fan fully until notch on downrod ball (1) engages the ridge on the mounting bracket (2).

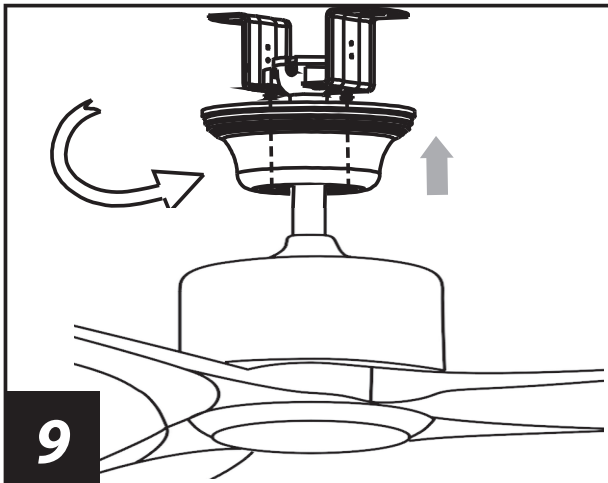
# INSTALLATION



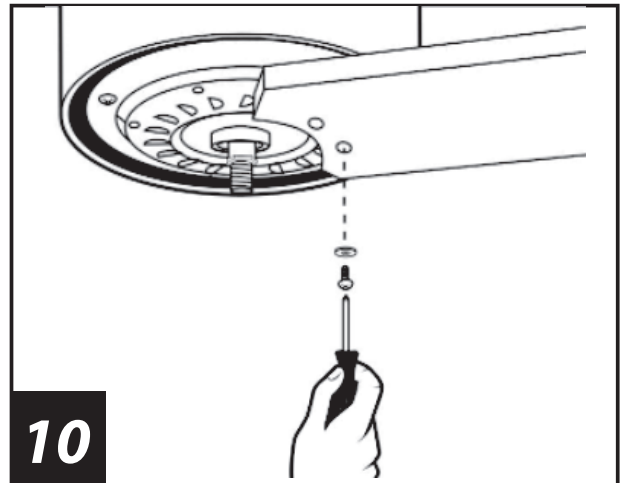
**7** Respectively plug the wires of fan and light into receiver. (Light is optional.)



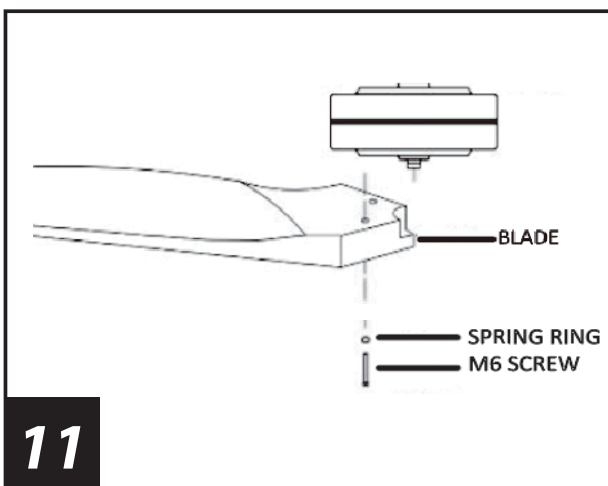
**8** Insert receiver into bracket. Connect the BLACK wire (hot) to the BLACK wire marked "AC in L" from receiver. Connect the WHITE wire (neutral) to the WHITE wire marked "AC in N" from receiver. If there is a GROUND wire, connect it to the YELLOW GREEN wire from receiver.



**9** Raise canopy to bracket and align slotted holes in canopy with loosened screws in bracket. Twist canopy to lock and secure all screws.



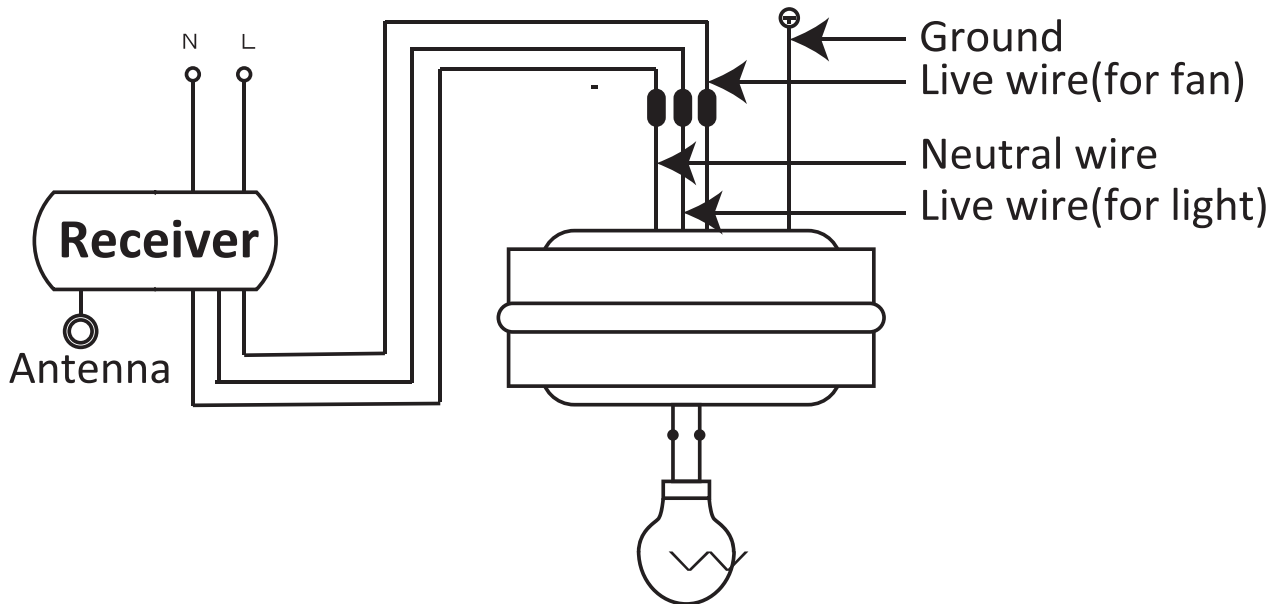
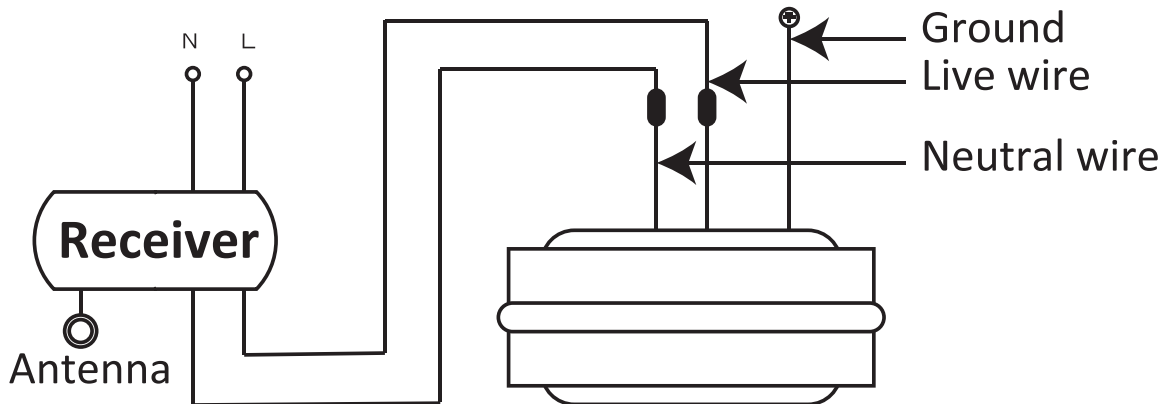
**10** Lock blades on the motor.



**11** Thread the M6 screws with spring through holes end with blades.

# ELECTRICAL CONNECTIONS

## Motor Wiring Diagram

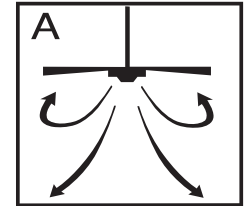


# OPERATION

Warm weather / down position - (Forward) Fan turns counterclockwise direction.

A downward air flow creates a cooling effect as shown in illustration A.

This allows you to set your air conditioner on a higher temperature setting without affecting your comfort.



# TROUBLESHOOTING GUIDE

If you have difficulty operating your new ceiling fan, it may be the result of incorrect assembly, installation, or wiring. If you experience any faults, please check this Trouble Shooting Chart. If a problem cannot be remedied, please consult with your authorized electrician and do not attempt any electrical repairs yourself.

## TROUBLE

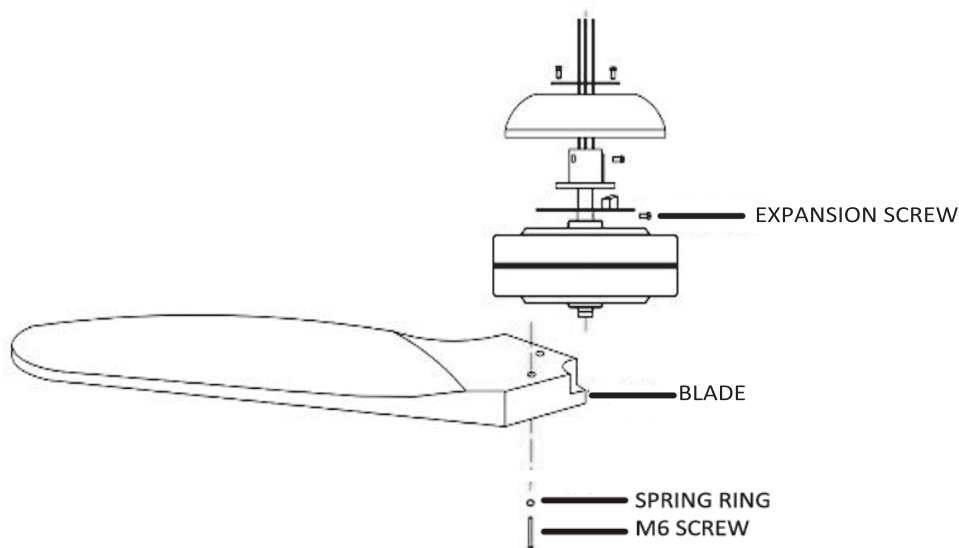
## SUGGESTED REMEDY

- |                            |   |
|----------------------------|---|
| 1. If fan does not start:  | <ol style="list-style-type: none"><li>1. Check main and branch circuit fuses or circuit breakers.</li><li>2. Check terminal block connections installation.<br/>CAUTION: Make sure main power is turned off.</li><li>3. Make sure forward/reverse switch is firmly in up or down position. Fan will not operate when switch is in the middle.</li><li>4. If the fan still will not start, contact a qualified electrician. Do not attempt to troubleshoot internal electrical connections yourself.</li></ol>   |
| 2. If fan sounds noisy:    | <ol style="list-style-type: none"><li>1. Check to make sure all screws in motor housing are snug (not over tightened).</li><li>2. Check to make sure the screws which attach the fan blade holder to the motor are tight.</li><li>3. Some fan motors are sensitive to signals from Solid State variable speed controls.<br/>DO NOT USE a Solid State variable speed control.</li><li>4. Allow "break-in" period of 24 hours. Most noises associated with a new fan will disappear after this period.</li></ol>  |
| 3. If fan wobbles:         | <p>All blades are weighed and grouped by weight. Natural woods vary in density which could cause the fan to wobble even though all blades are weight-matched. The following procedures should eliminate most of the wobble. Check for wobble after each step.</p> <ol style="list-style-type: none"><li>1. Check that all blades are screwed firmly into blade holders.</li><li>2. Check that all blade holders are tightened securely to motor.</li><li>3. Make sure that canopy and mounting bracket are tightened securely to ceiling joist.</li><li>4. Interchange two adjacent (side by side) blades to redistributing the weight and possibly result in smoother operation.</li><li>5. If blade wobble is still noticeable, clip to one blade and check if better. Find the most suitable place and stick the balance sheet on top of that blade.</li></ol> |
| 4. If light does not work: | <ol style="list-style-type: none"><li>1. Check to see that mox connector in the switch housing is connected</li><li>2. Check for faulty light bulbs.</li><li>3. If light kit will still not operate, contact a qualified electrician for assistance.</li></ol>  |

## INSTALLATION OF COVER

1. THREAD THE M6 SCREW WITH SPRING THROUGH HOLED, END WITH BLADE.

2. LOCK BLADES ON THE MOTOR.



## CAUTION

1. THE EXPANSION SCREWS IN THIS HARDWARE PACK IS FOR LOCKING THE COVER. DIAGRAM ABOVE IS FOR REFERENCE.
2. BE SURE USE SCREWS WITH SPRING TOGETHER TO AVOID FAN NOISE.

## MAINTENANCE

1. Because of the fan's natural movement, some connections may become loose. Check the support connections, brackets, and blade attachments twice a year. Make sure they are secure.
2. Clean your fan periodically to help maintain its new appearance over the years. Do not use water when cleaning. This could damage the motor, or the wood, or possibly cause electrical shock.
3. Use only a soft brush or lint-free cloth to avoid scratching the finish. The plating is sealed with a lacquer coating to minimize discoloration or tarnishing.
4. There is no need to oil your fan. The motor has permanently lubricated bearings.