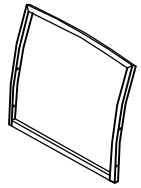
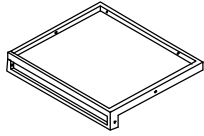


PARTS AND HARDWARE

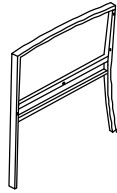
Avoid using sharp objects such as a knife to cut open packing as you may accidentally damage the upholstery.



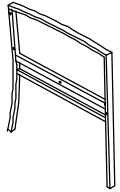
A. Backrest
2x



B. Seat
2x



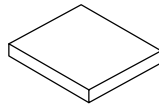
C1. Right Arm
2x



C2. Left Arm
2x



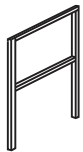
D. Bolt / Washer M6 x 35
36x



G. Cushion
2x



H. Table Frame
1x



I. Table Legs
2x



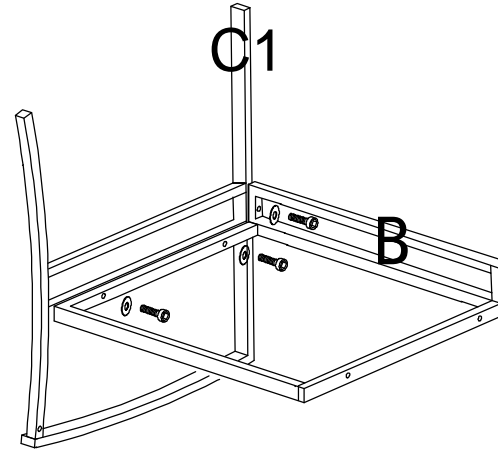
J. Table Side
2x



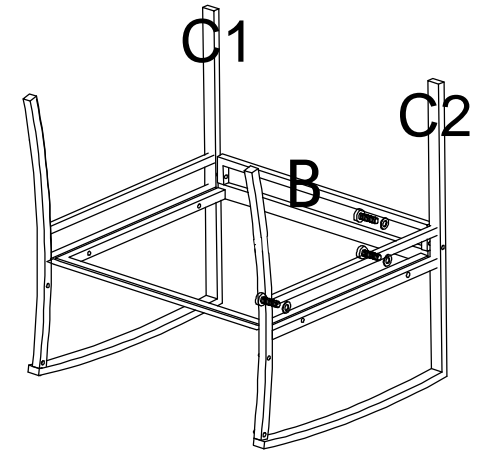
M. Allen Key
1x

Do not fully tighten bolts until assembly is complete.

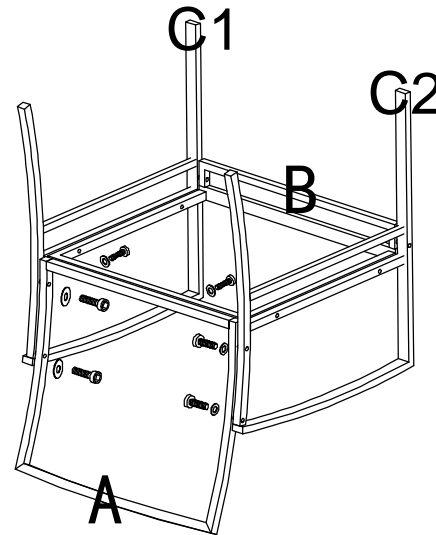
1. Attach Right Arm (C1) to the Seat (B) using bolts and washers (D)



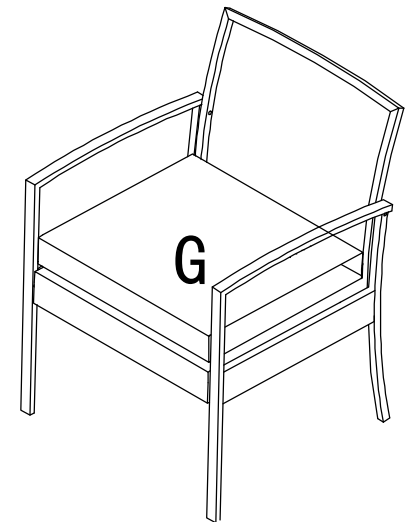
2. Attach Left Arm (C2) to the Seat (B) using bolts and washers (D)



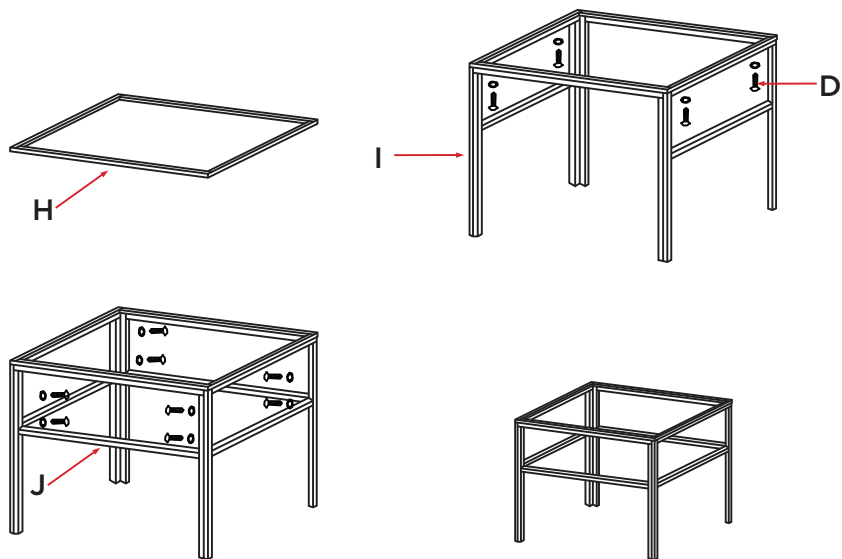
3. Attach backrest (A) to the Arm (C1/C2) and Seat (B) using bolts and Washers (D)



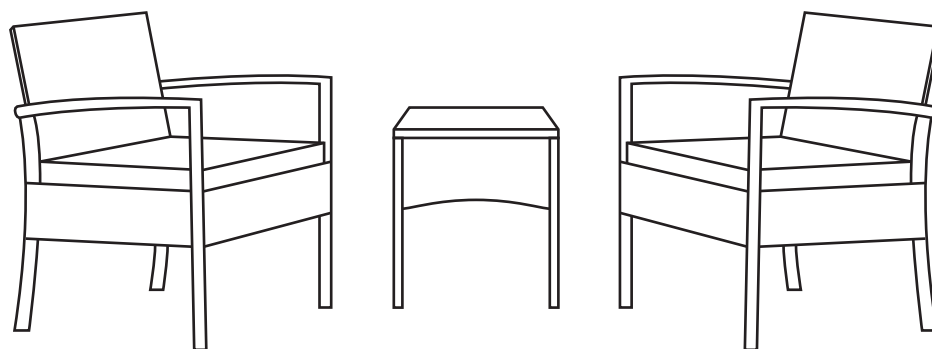
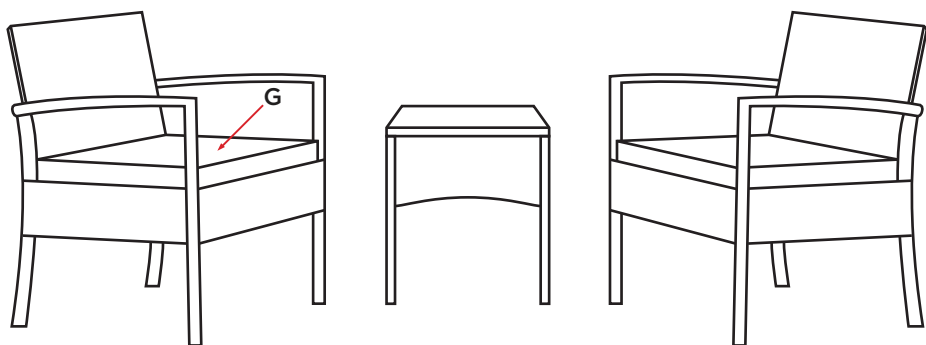
4. Put the seat cushion (G) to the chair.



3 Attache Table legs (I) to table Frame (H) and Table Sides (J) using Bolts and washers (D)



4 Place Cushions onto assembled chair frames and enjoy your new outdoor seating.



ASSEMBLY INSTRUCTIONS