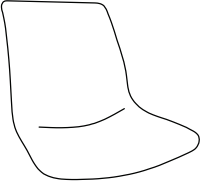
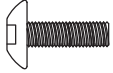
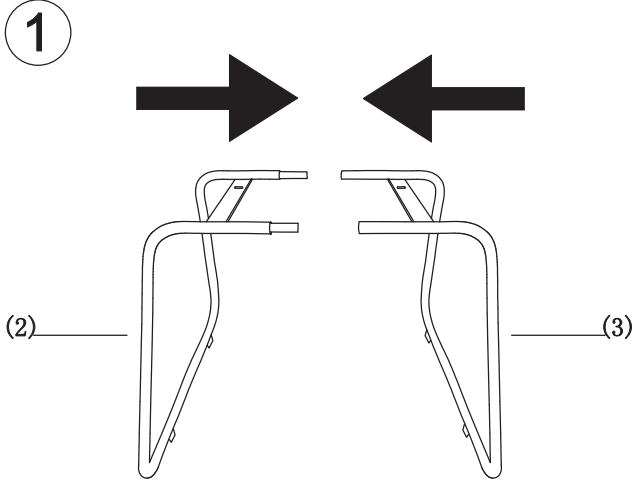
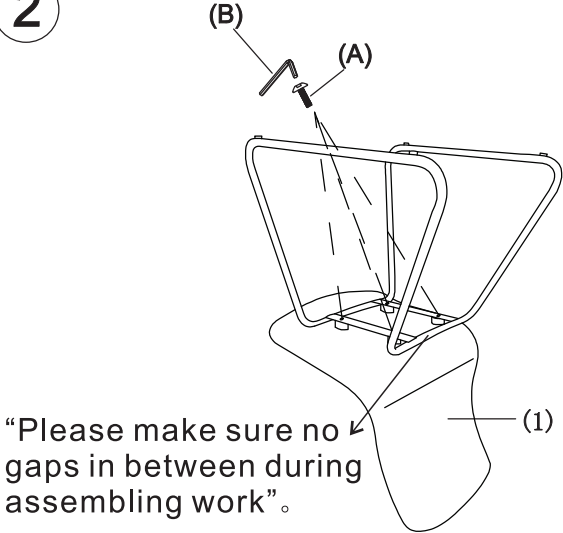


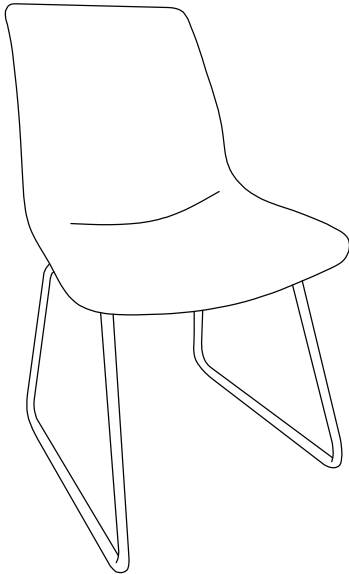


ASSEMBLY INSTRUCTION

<p>(1) x1</p> 	<p>(A) x4 M6*16</p> 	<p>①</p> 	<p>②</p>  <p>“Please make sure no gaps in between during assembling work”.</p>
<p>(2) x1</p> 	<p>(B) x1 M6</p> 	<p>③</p> 	
<p>(3) x1</p> 