
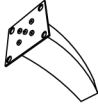






# Assembly Instructions

No	Sketch	Description	Qty	No	Sketch	Description	Qty
(A)		Seat	1	(D)		Back Leg(R)	1
(B)		Front Legs	2	(E)		Bolts	16
(C)		Back Leg(L)	1	(F)		Allen Wrench	1

