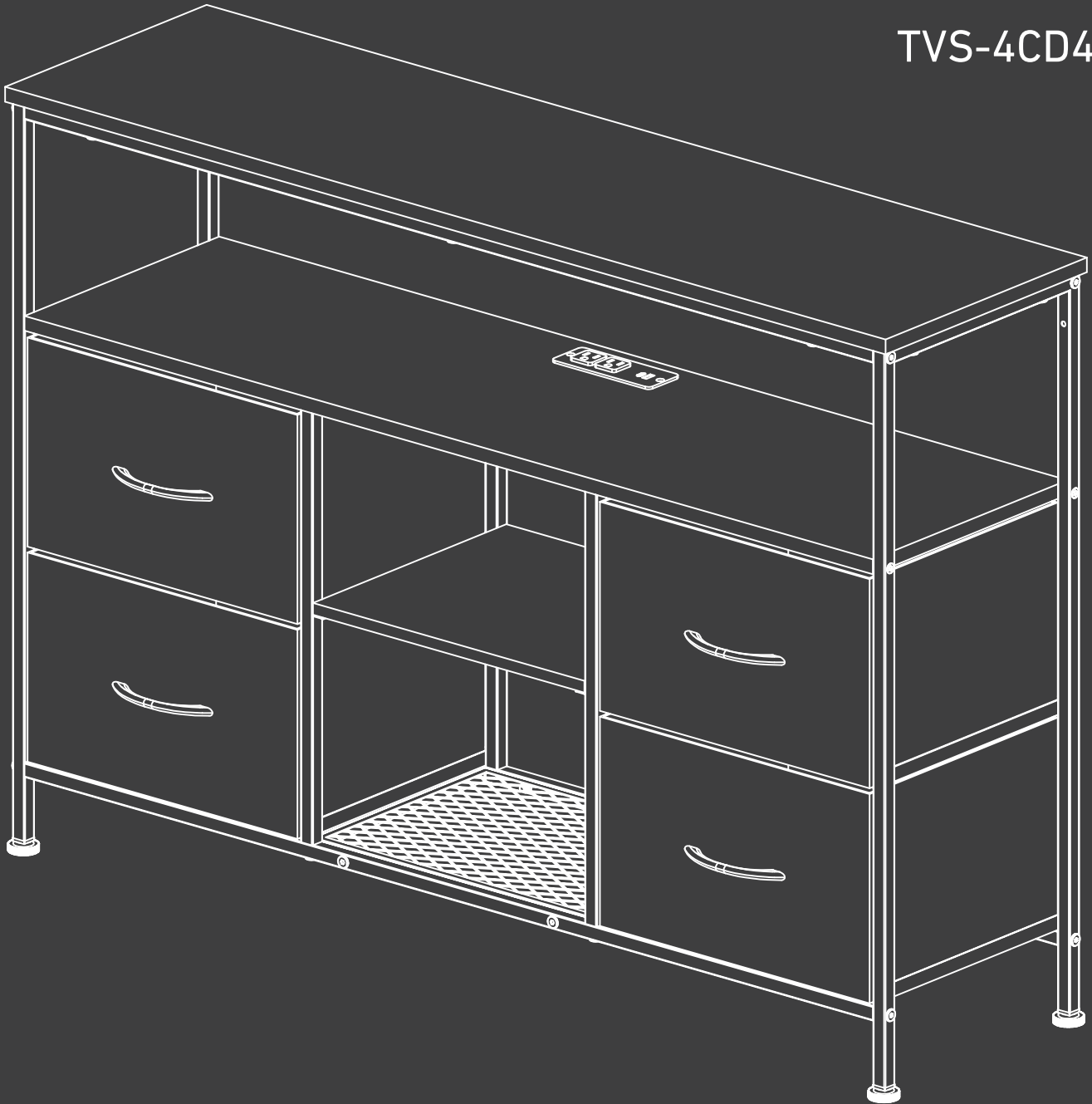


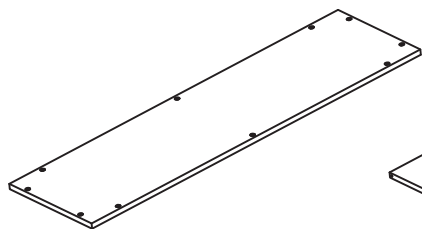
Charging TV Stand

Instruction Manual

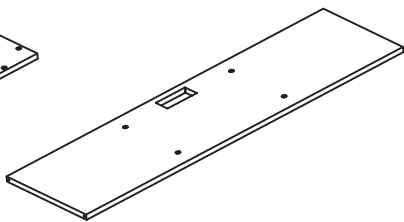
TVS-4CD43IN



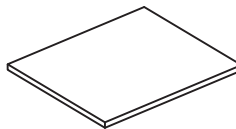
1 Components List



① Top Board x1



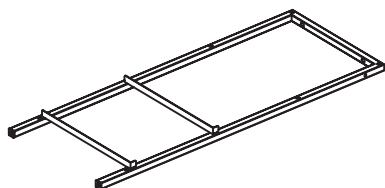
② Shelf x1



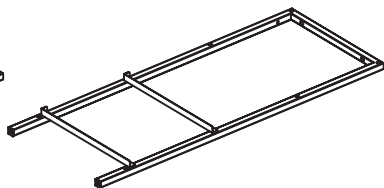
③ Removable Shelf x1



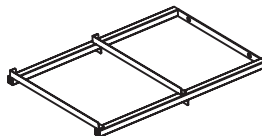
④ Mesh Shelf x1



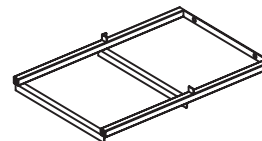
⑤ Left Frame x1



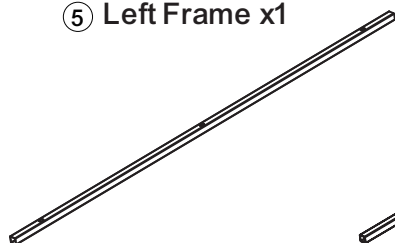
⑥ Right Frame x1



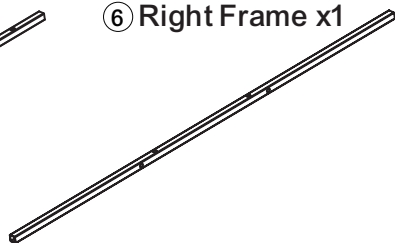
⑦ Left Inner Frame x1



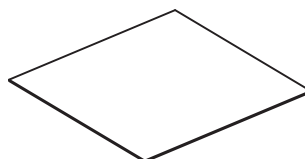
⑧ Right Inner Frame x1



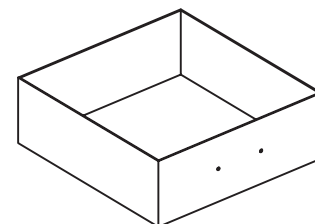
⑨ Top Crossbar x2



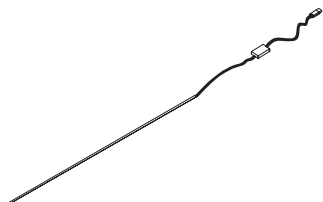
⑩ Bottom Crossbar x2



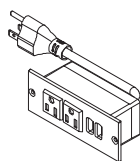
⑪ Drawer Base Panel x4



⑫ Fabric Drawer x4



⑬ LED Light Strip x1



⑭ Power Outlet x1

2 Supplied Parts and Hardware

Ⓐ x26+1



M6x23

Ⓑ x4



M6x12

Ⓒ x4



M6x6

Ⓓ x8+1



M4x10

Ⓔ x4



M6x40

Ⓕ x2



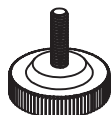
M3.5x9

Ⓖ x4



Handle

Ⓗ x4



Leveling Feet

Ⓘ x2

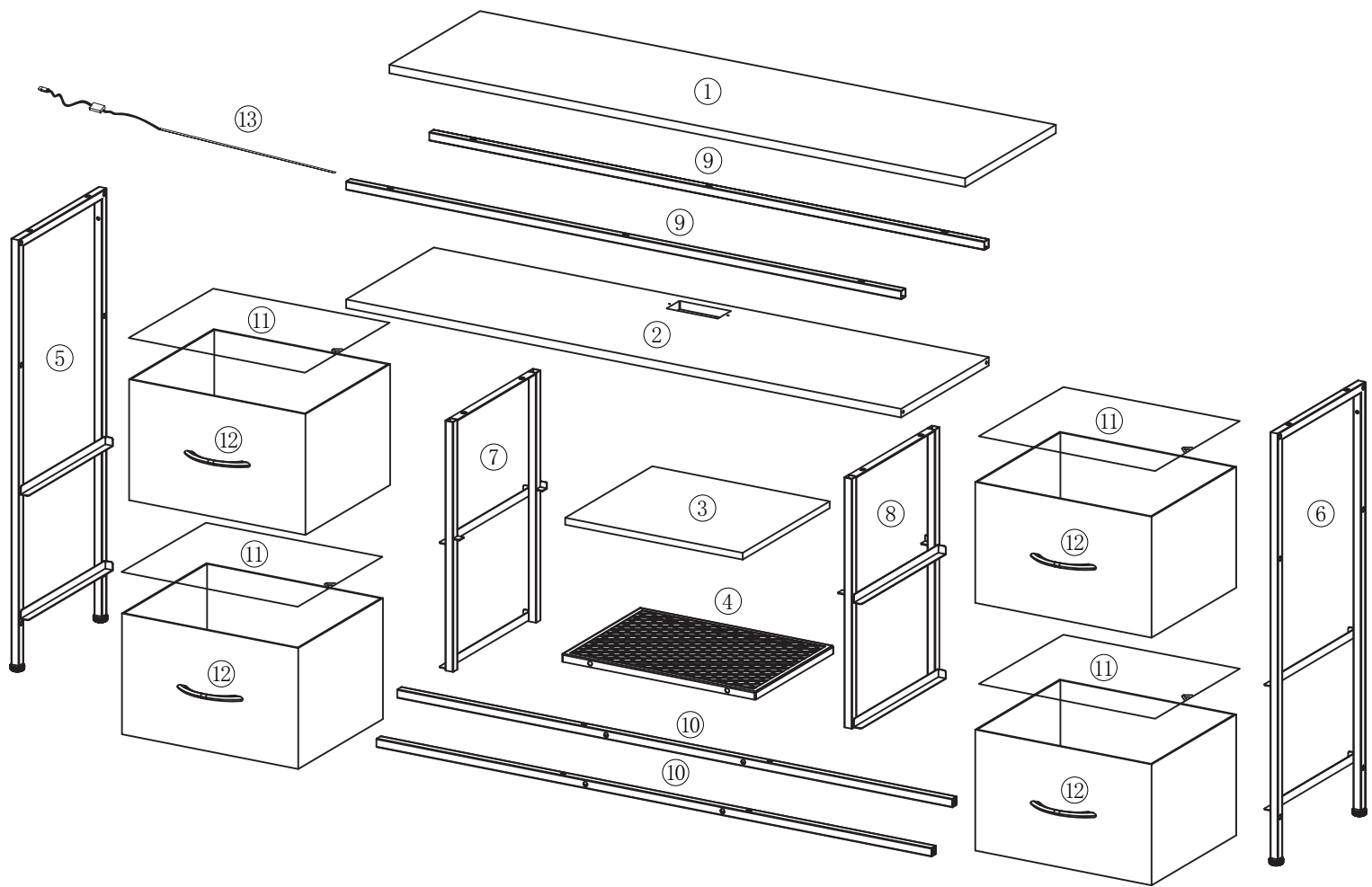


Wall Anchor Kit

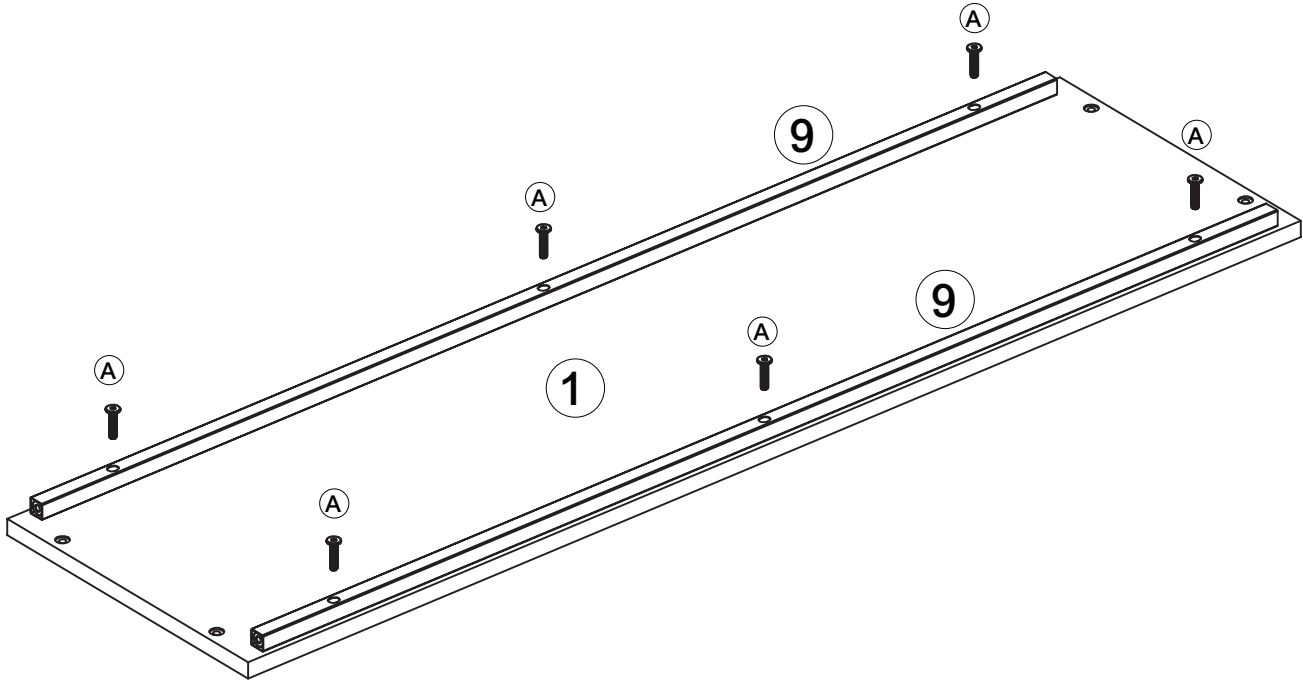
Ⓙ x1



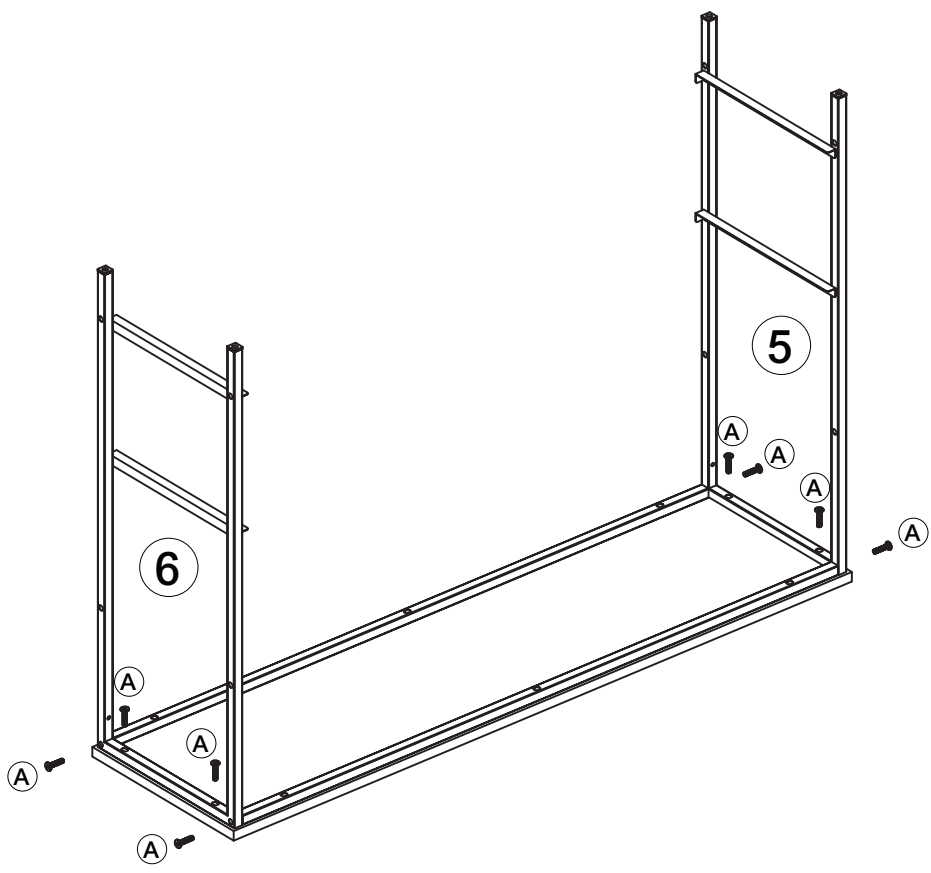
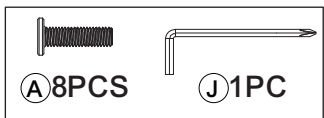
Allen Key



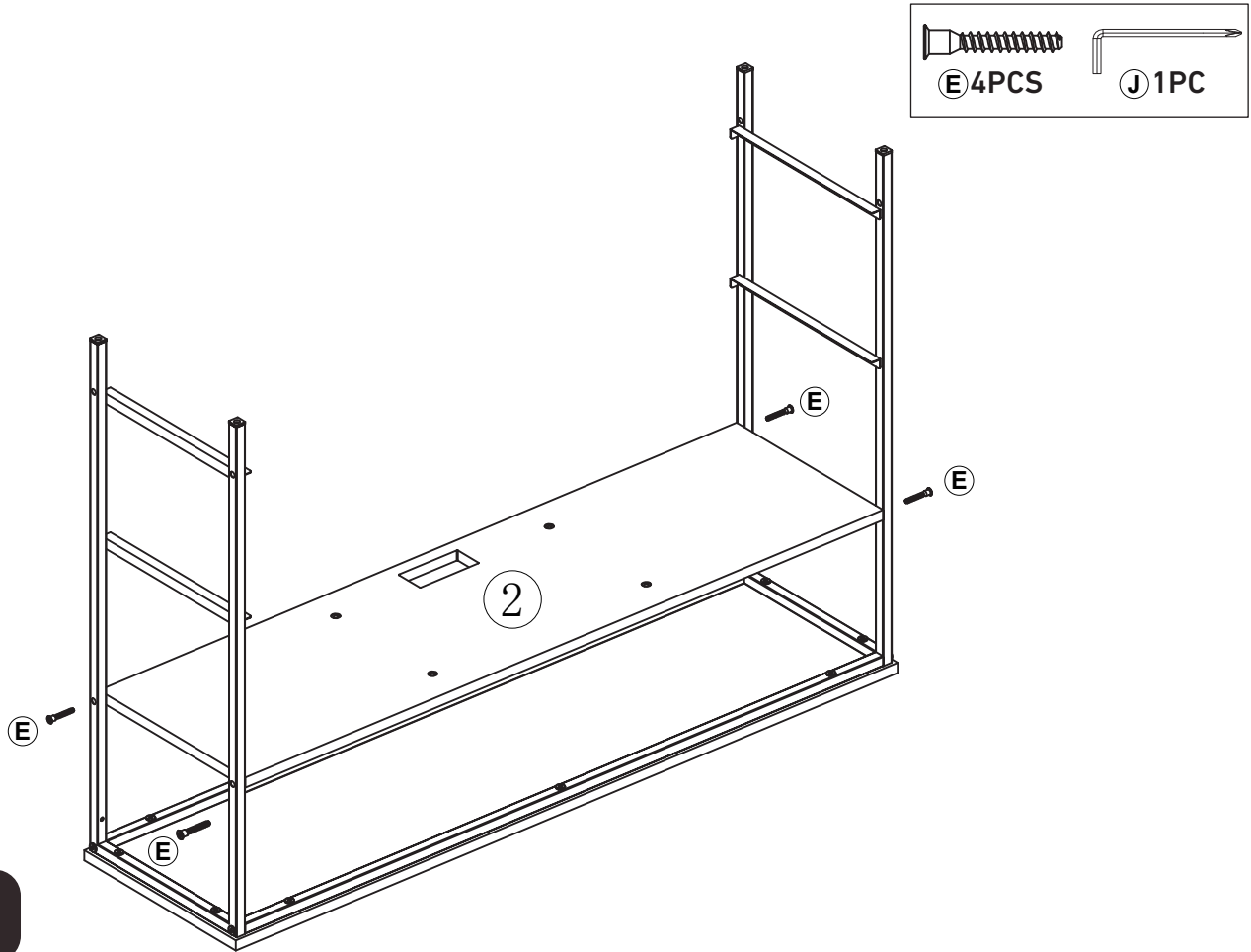
Step 1



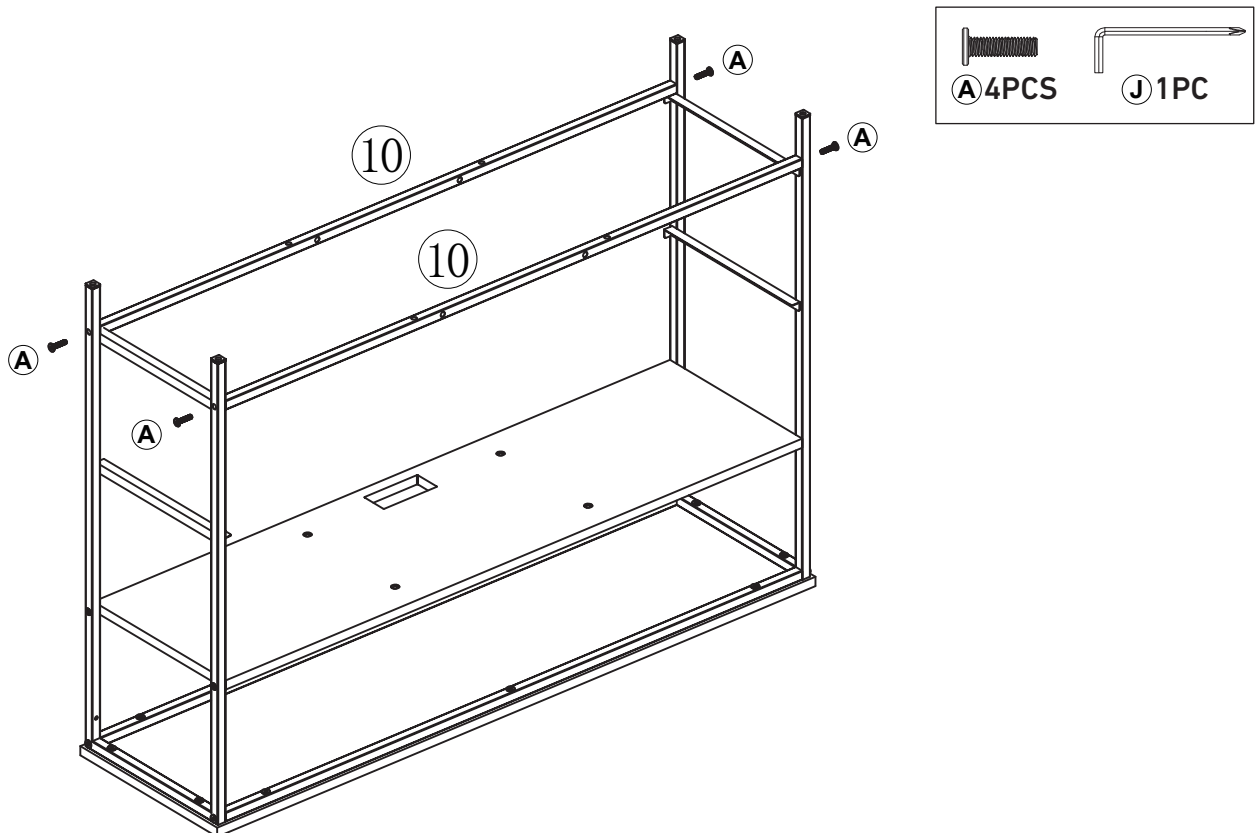
Step 2



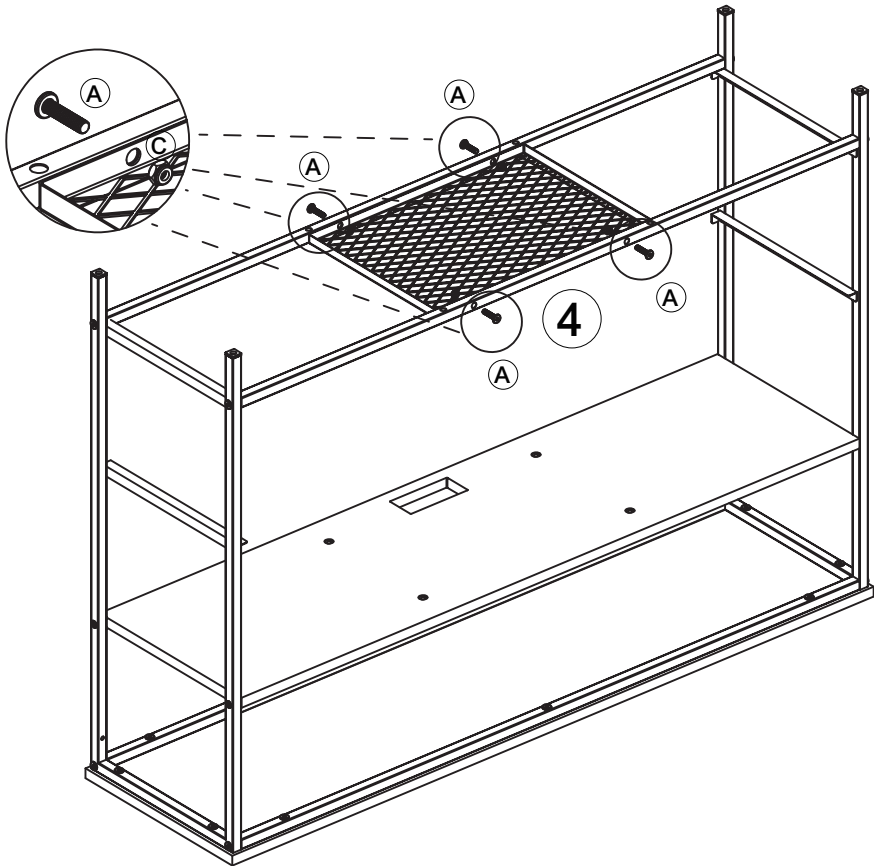
Step 3



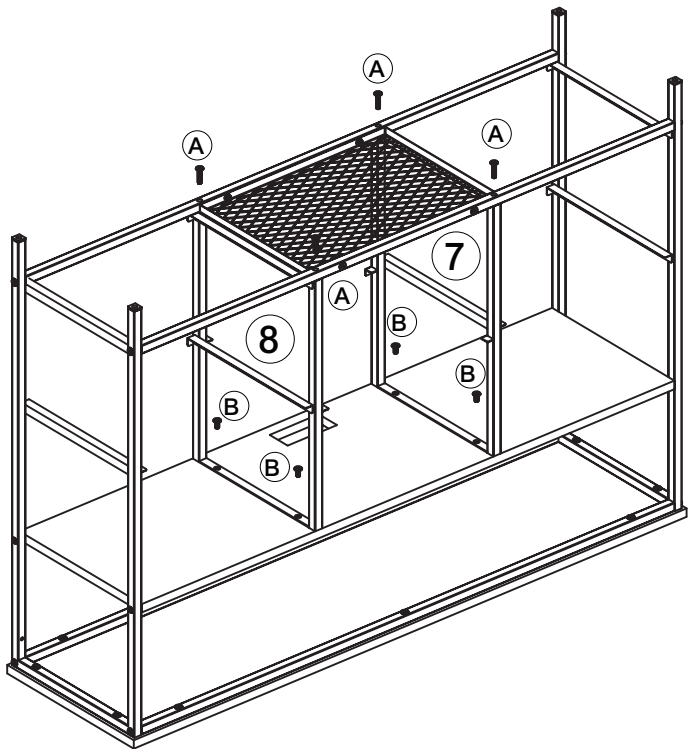
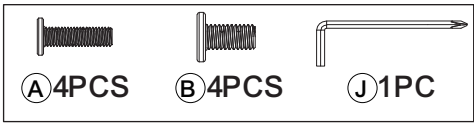
Step 4



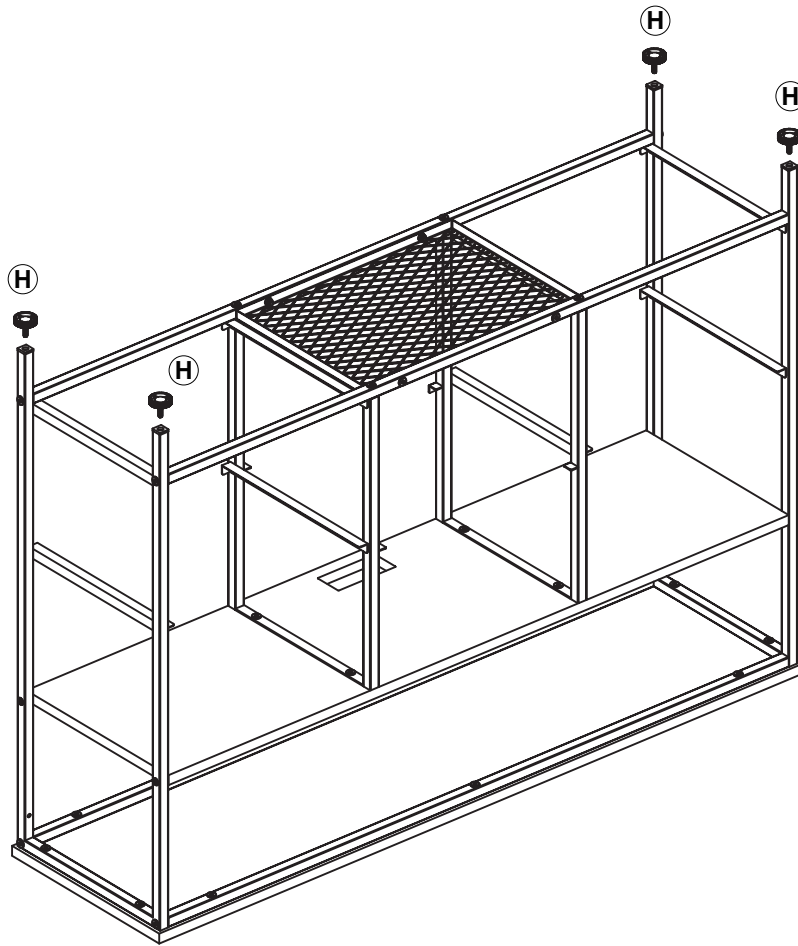
Step 5



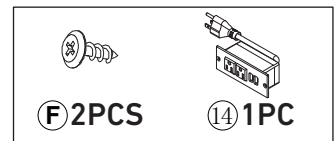
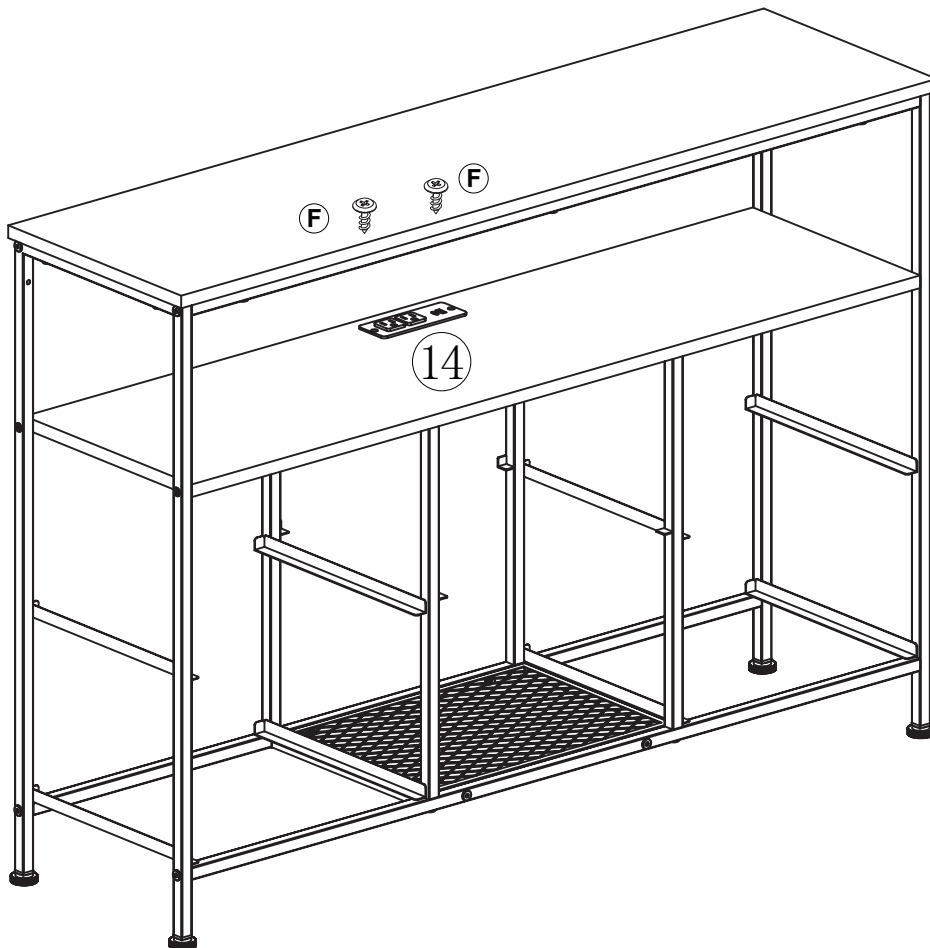
Step 6



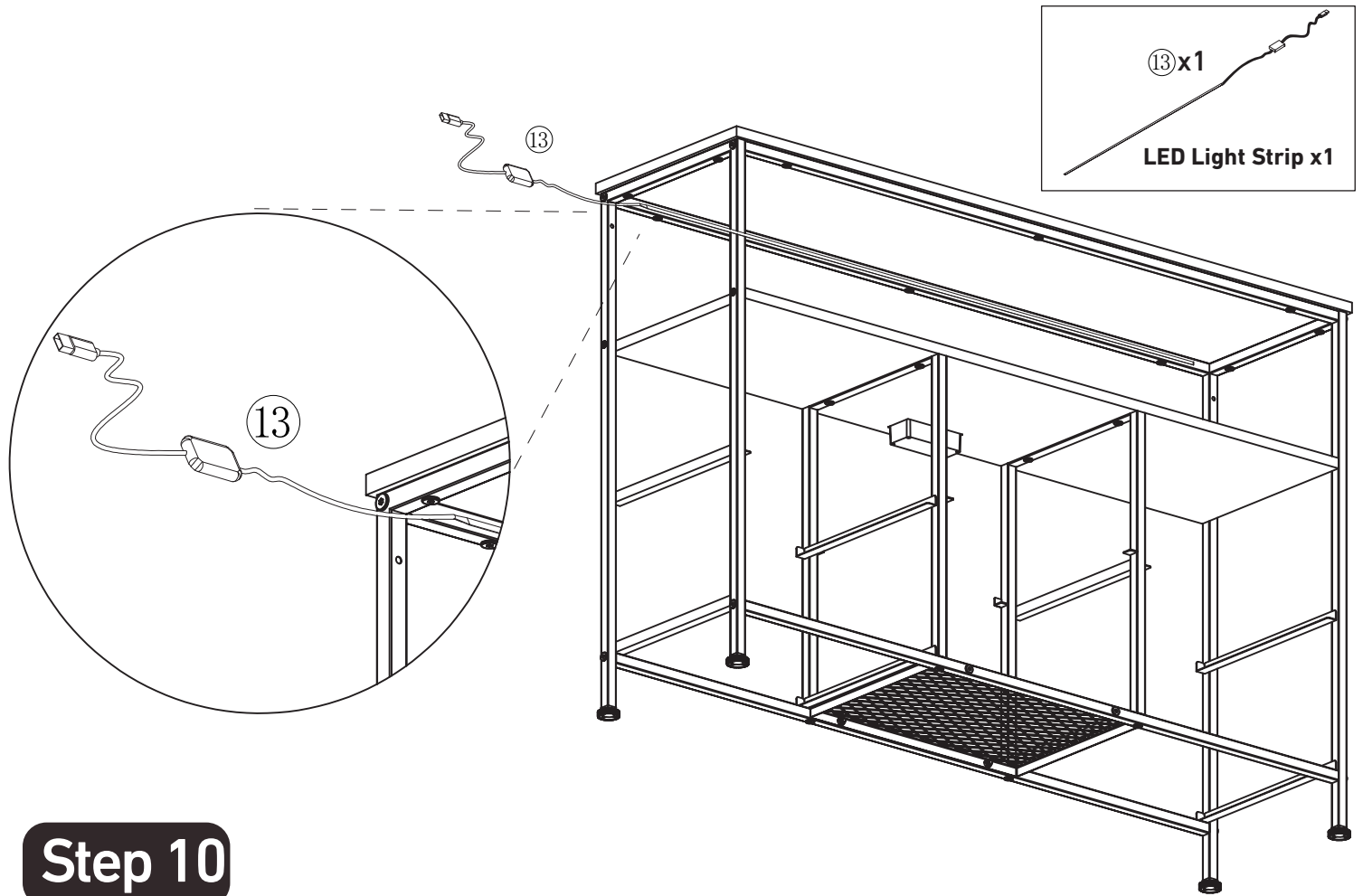
Step 7



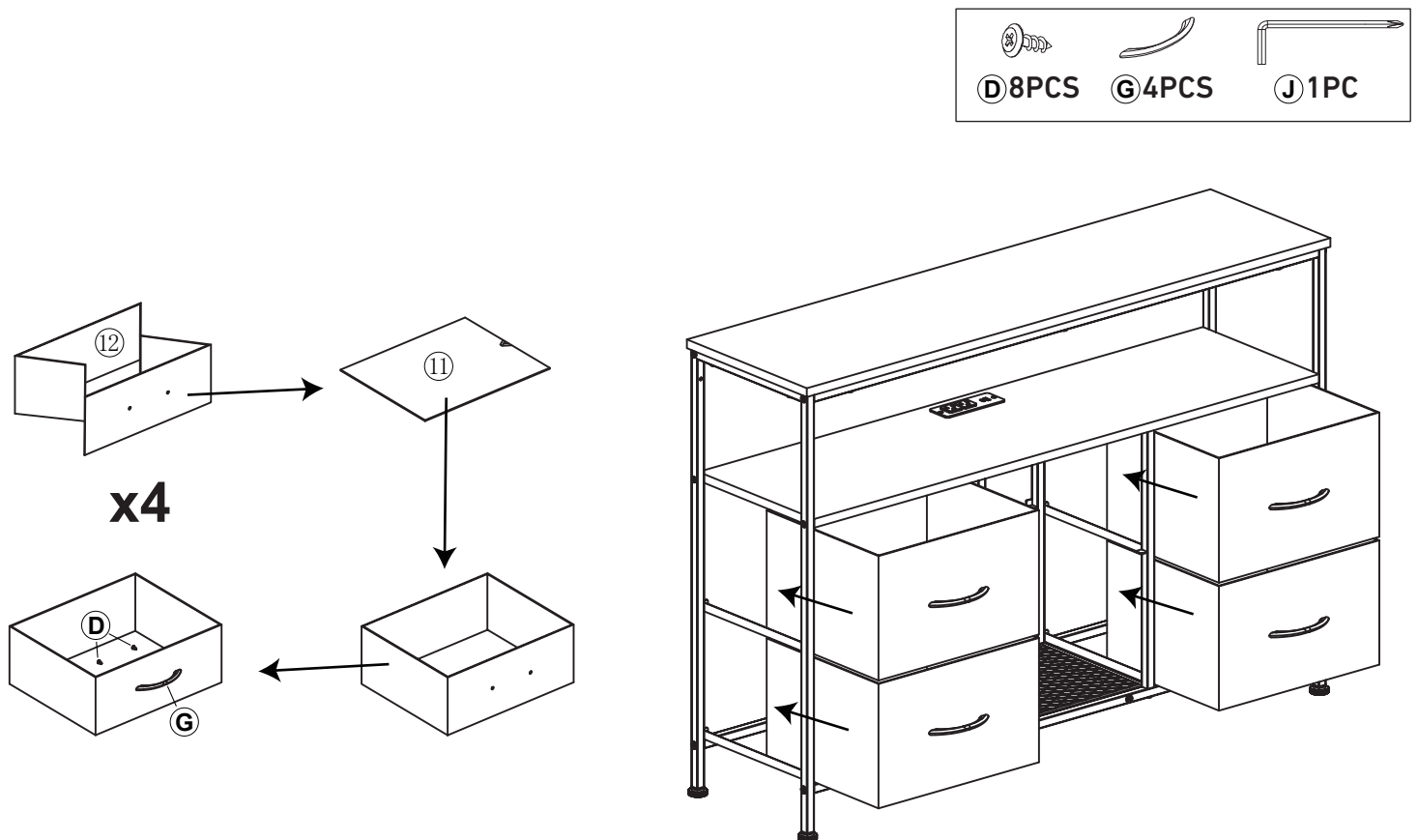
Step 8



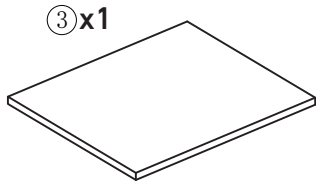
Step 9



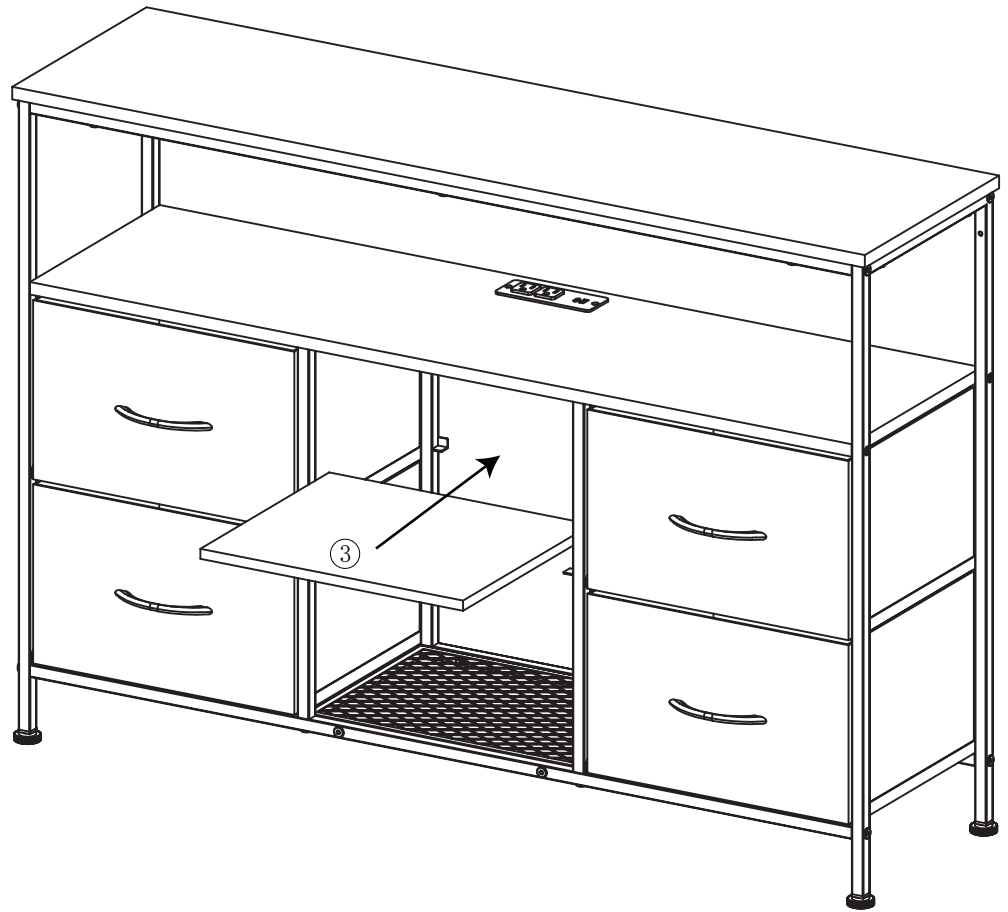
Step 10



Step 11



Removable Shelf x1



Step 12

