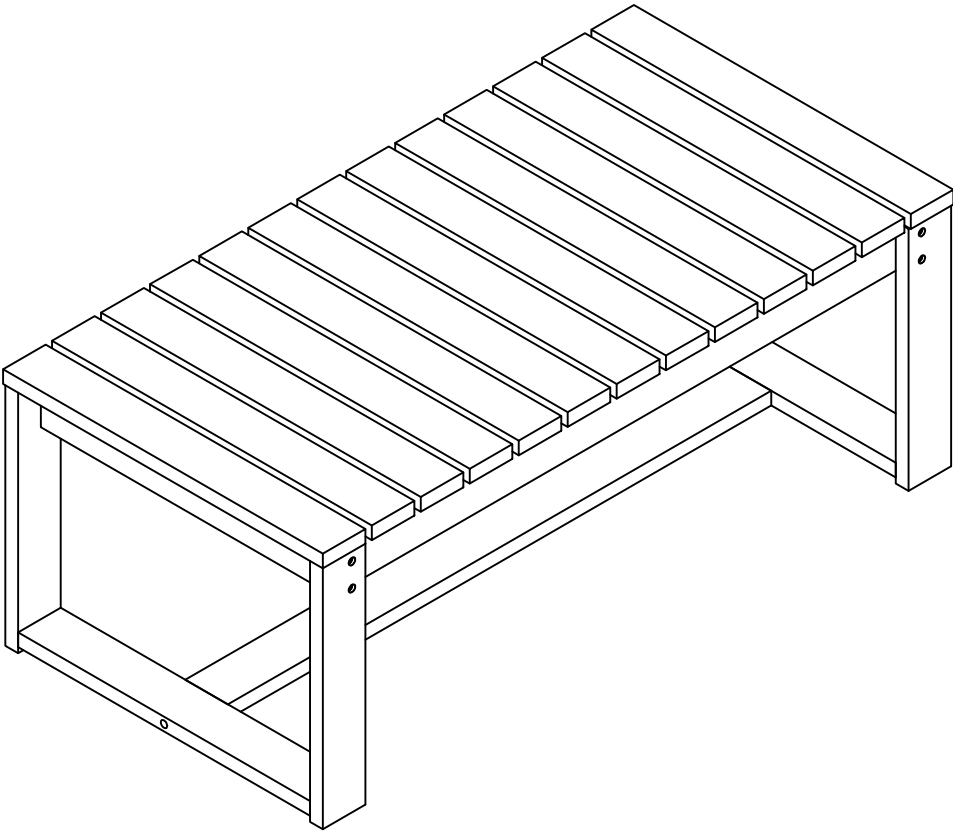
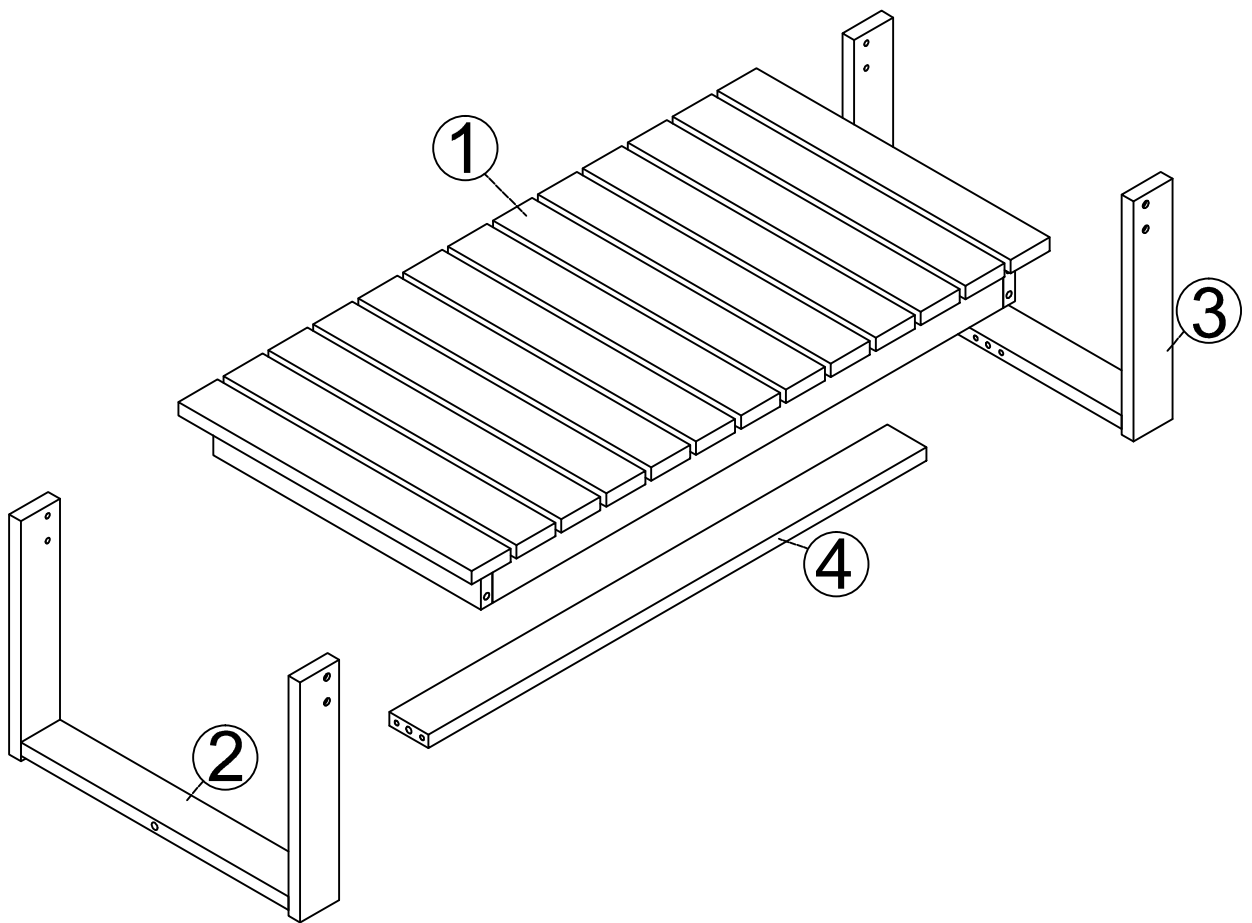


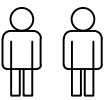
# Assembly Instruction



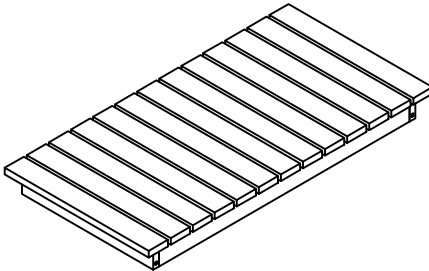
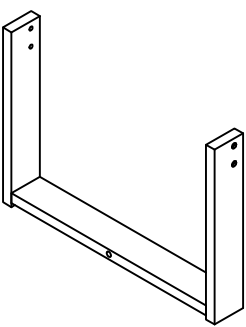
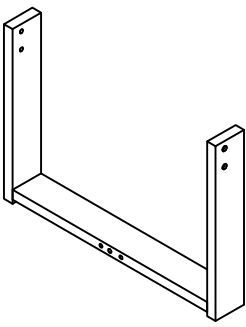
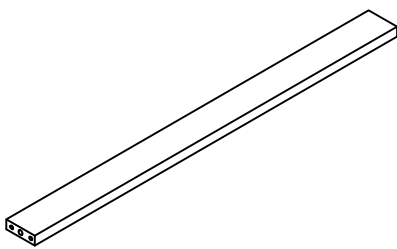
# Assembly Instruction



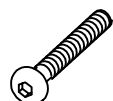
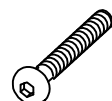
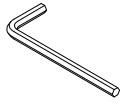
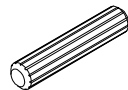
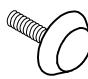
2 PERSONS



# PARTS LIST

|  |   |   |
|--|---|---|
| <p>①</p>  <p>1PC</p>  | <p>②</p>  <p>1PC</p> | <p>③</p>  <p>1PC</p> |
| <p>④</p>  <p>1PC</p> |   |   |

# HARDWARE LIST

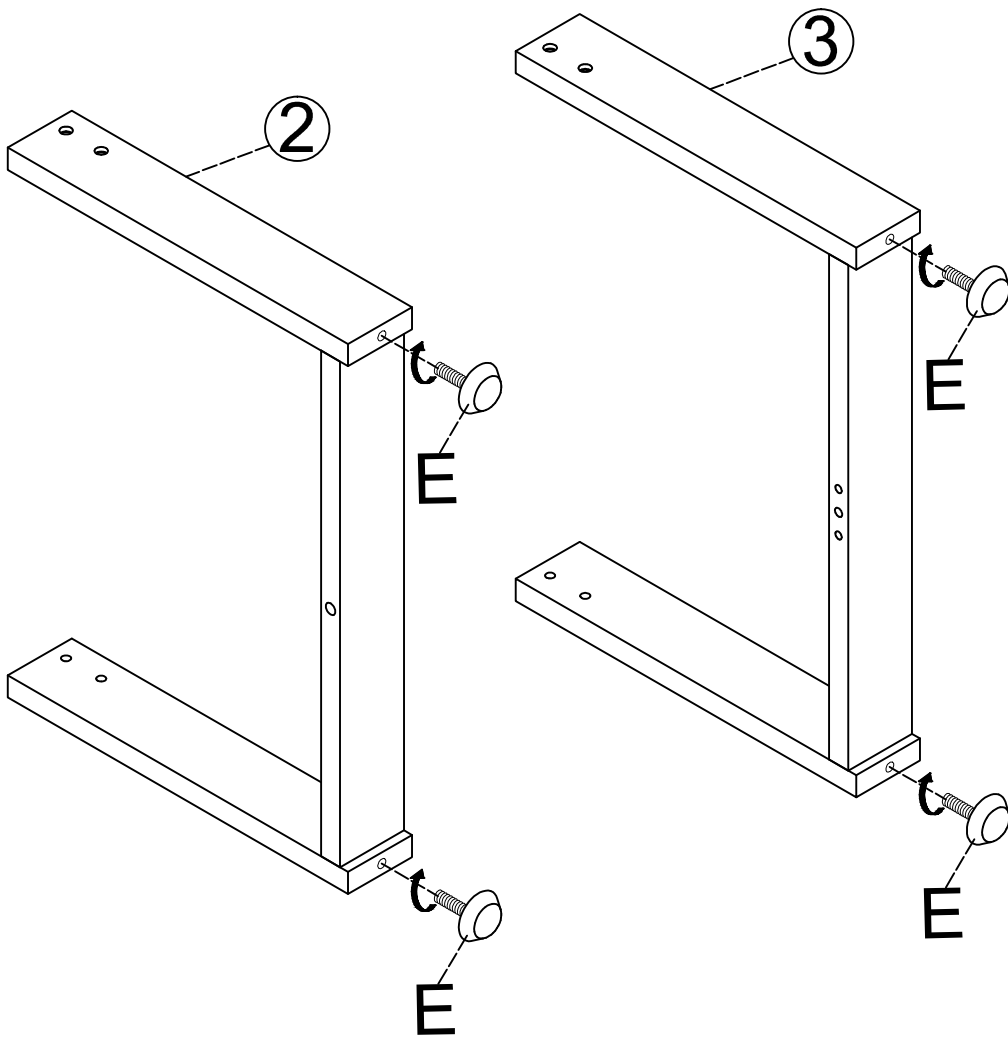
|  |  |   |  |  |
|--|--|---|--|--|
| <p>A</p>  <p>M6x40mm<br/>8PCS</p> | <p>B</p>  <p>M6x60mm<br/>2PCS</p> | <p>C</p>  <p>1PC</p> | <p>D</p>  <p>8x30mm<br/>4PCS</p> | <p>E</p>  <p>4PCS</p> |
|--|--|---|--|--|

# STEPS

**STEP-1**






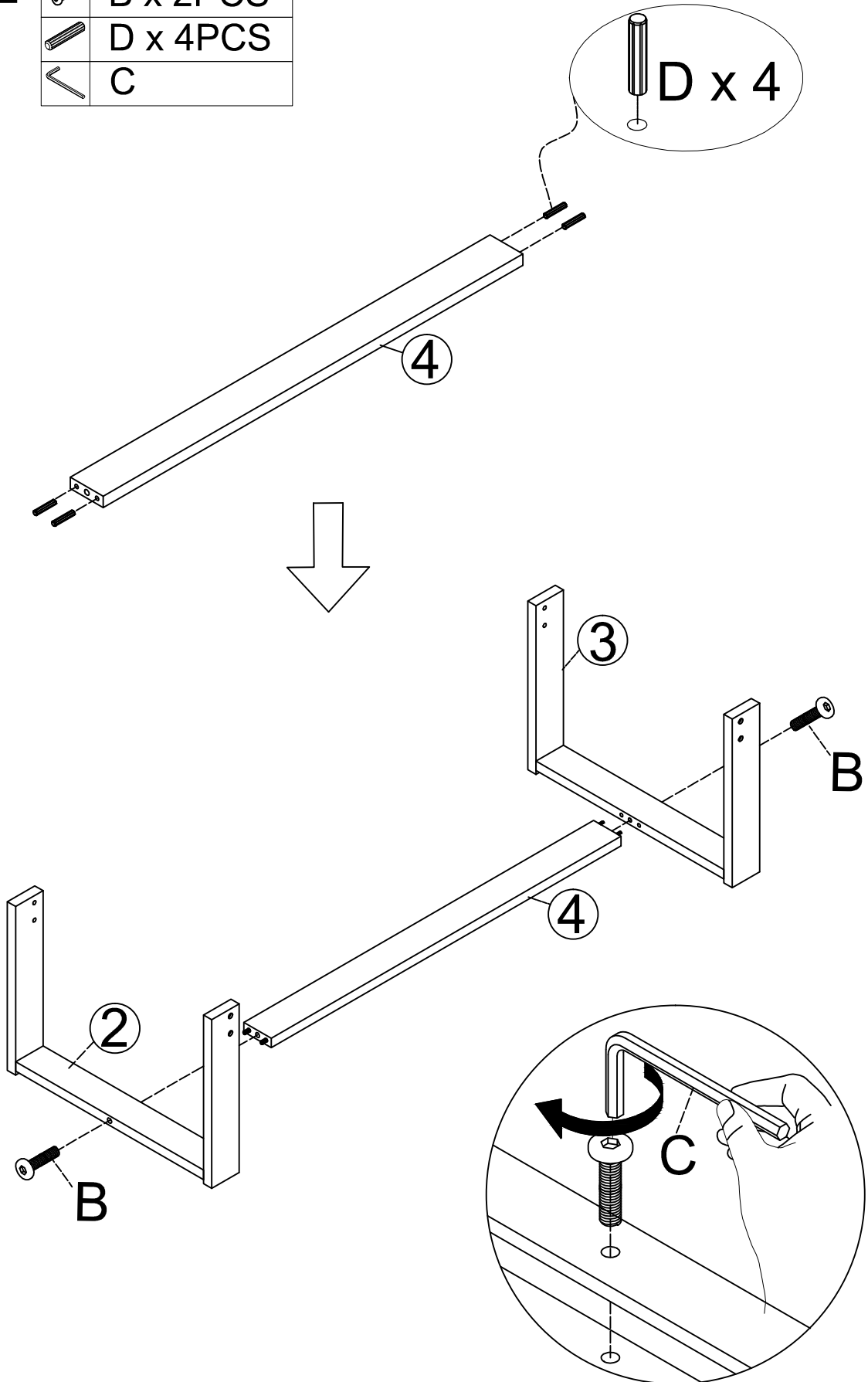
**E x 4PCS**



# STEPS

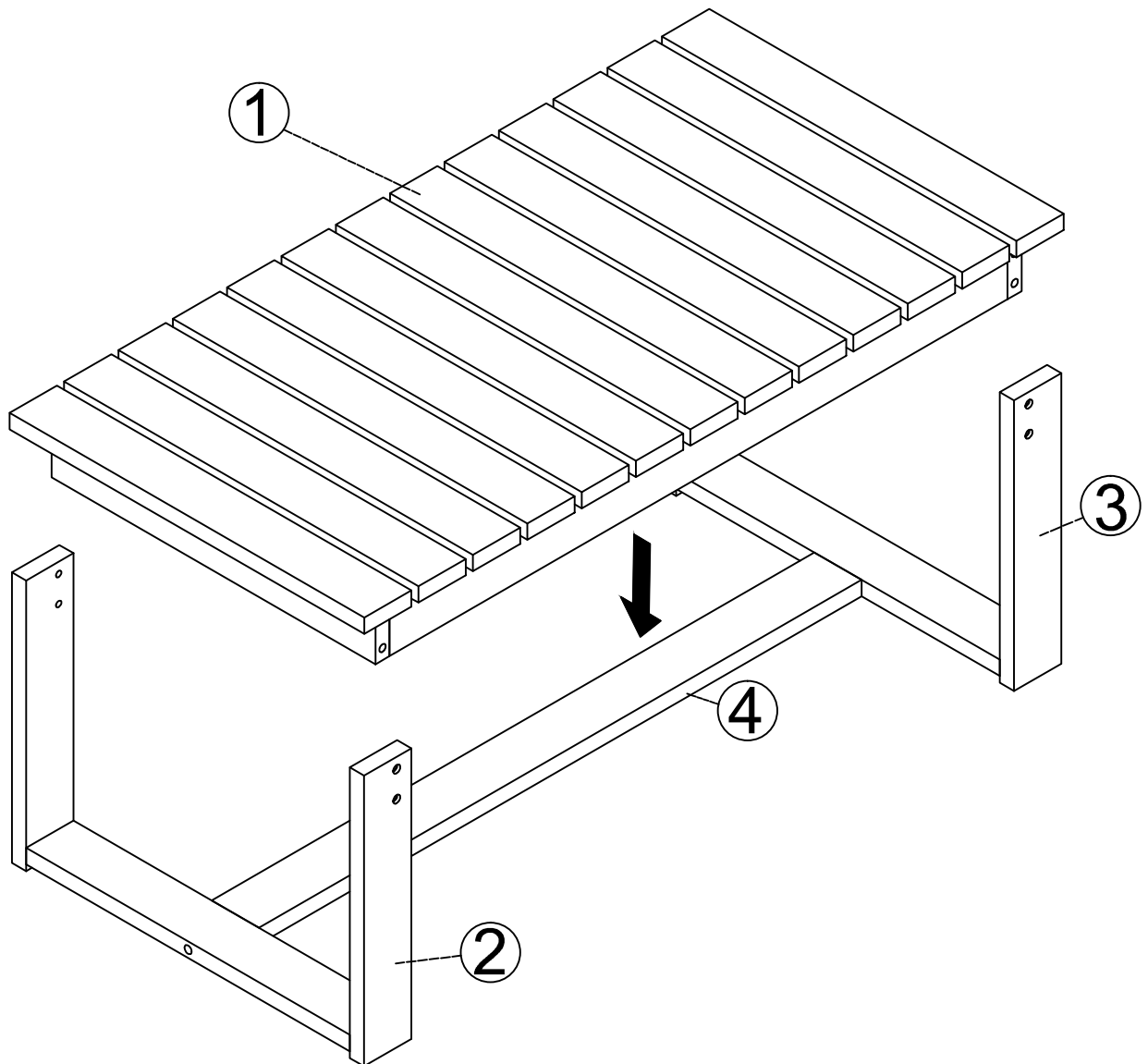
## STEP-2

|   |          |
|---|----------|
|  | B x 2PCS |
|  | D x 4PCS |
|  | C        |





# STEPS

## STEP-3



# STEPS

## STEP-4

|   |          |
|---|----------|
|  | A x 8PCS |
|  | C        |

