

80210 QUEEN BED ASSEMBLY INSTRUCTION

Thank you for purchasing this quality product. Be sure to check all packing material carefully for small parts which may have come loose inside the carton during shipment. Separate, identify and count all parts and hardware. Compare with the parts list to be sure all parts are present.

IMPORTANT : PLEASE READ INSTRUCTION BEFORE STARTING THE ASSEMBLY.

"DO NOT TIGHTEN SCREWS UNTIL COMPLETELY ASSEMBLED"

"DO NOT OVERTIGHT ANY HARDWARE"

WARNING : SMALL PARTS AND HARDWARE NOT FOR CHILDREN UNDER 3 YEARS. ADULT ASSEMBLY REQUIRED.

TABLE OF CONTENTS

HARDWARES LIST

PAGE 2

PARTS LIST

PAGE 3 - 4

PARTS' LOCATION

PAGE 5

ASSEMBLY STEPS

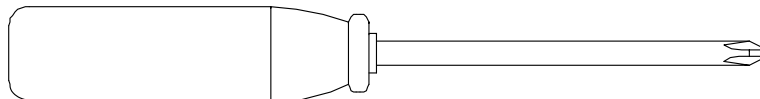
PAGE 6 - 9

ASSEMBLY COMPLETED

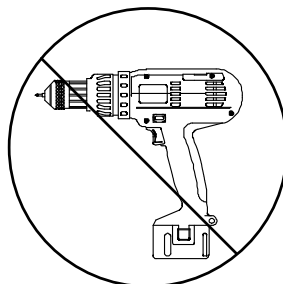
PAGE 10

ASSEMBLY TOOLS REQUIRED

1. Screwdriver (not provide)

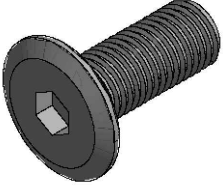
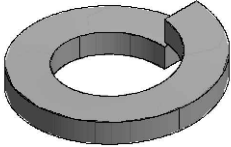
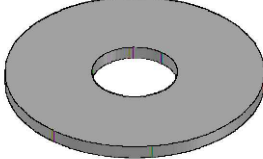
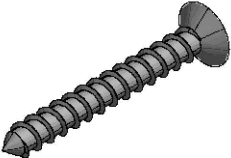
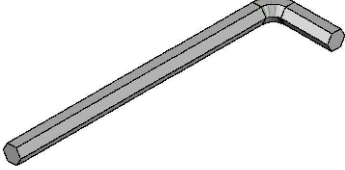
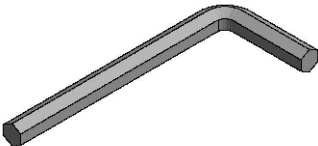





Skip the power trip this time.



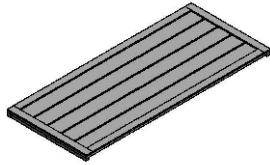
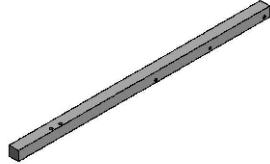
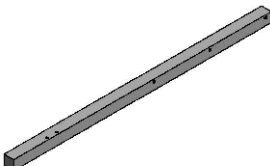
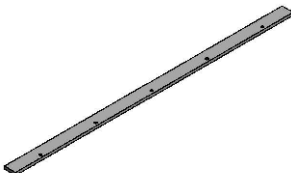
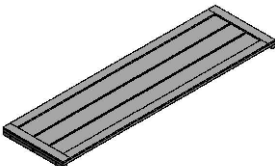
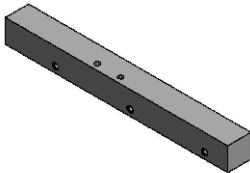
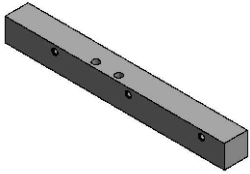
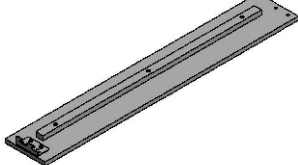
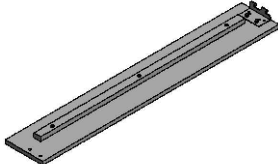
80210 QUEEN BED ASSEMBLY INSTRUCTION

HARDWARES LIST

ITEM	DESCRIPTION	DRAWING	QTY
A	JCBB SCREW M8 x 20MM		8 PCS
B	SPRING WASHER M6 x 13MM		22 PCS
C	FLAT WASHER M6 x 19MM		22 PCS
D	CSK C/B SCREW (M4 x 32MM)		8 PCS
E	M4 ALLEN KEY (65MM)		1 PC
F	M5 ALLEN KEY (65MM)		1 PC
G	JCBC SCREW M6 x 40MM (BLACK)		10 PCS
H	JCBC SCREW M6 x 45MM		12 PCS
I	JCBB SCREW M8 x 25MM (BLACK)		8 PCS

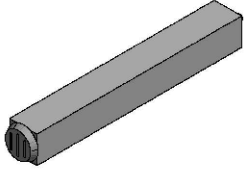
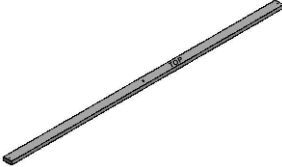
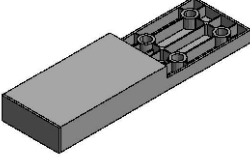
80210 QUEEN BED ASSEMBLY INSTRUCTION

PARTS LIST

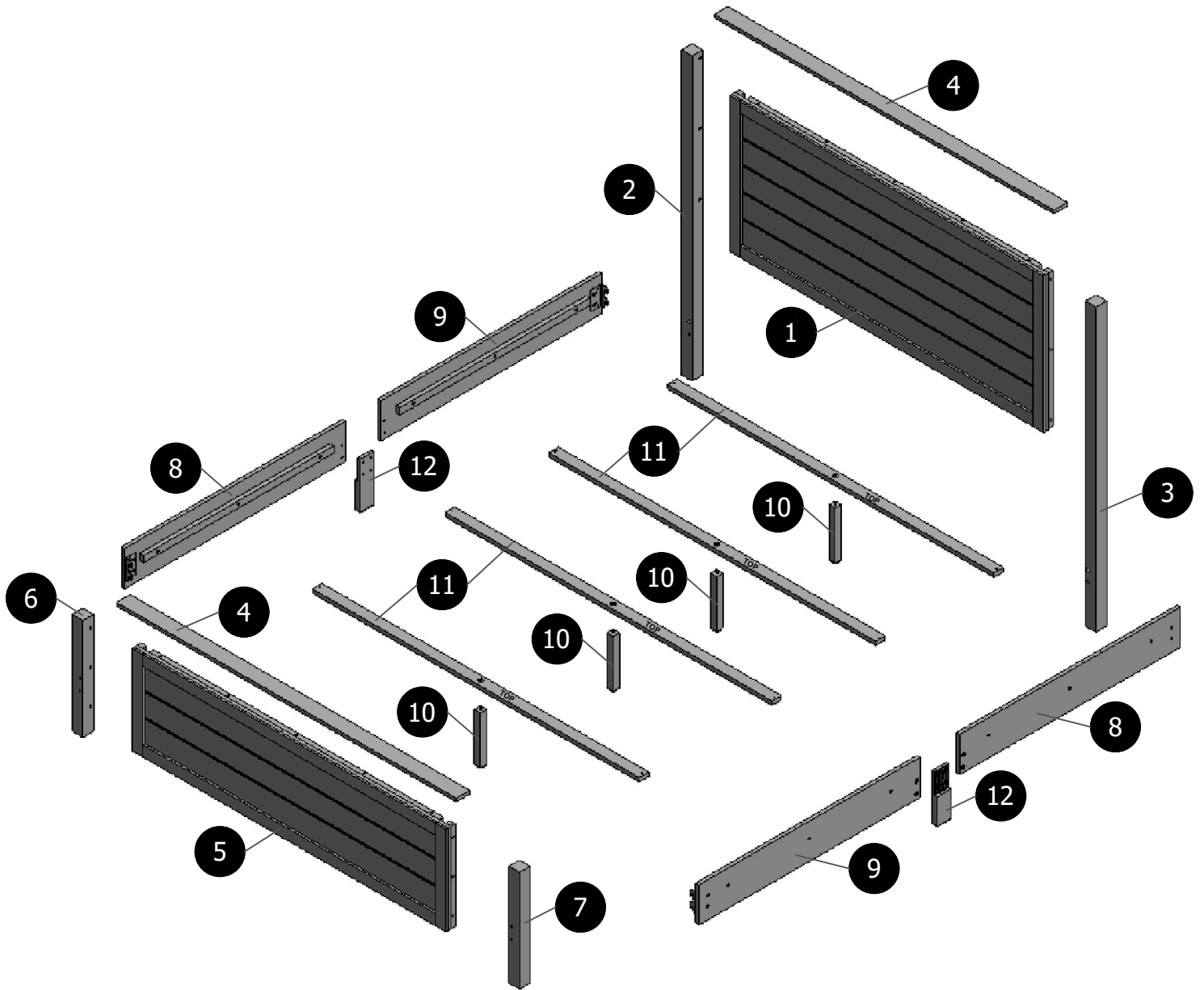
ITEM	DESCRIPTION	DRAWING	QTY
1	HEADBOARD		1 PC
2	HEADBOARD SUPPORT RAIL(R)		1 PC
3	HEADBOARD SUPPORT RAIL(L)		1 PC
4	HEADBOARD AND FOOTBOARD TOP PANEL		2 PCS
5	FOOTBOARD		1 PC
6	FOOTBOARD SUPPORT RAIL(R)		1 PC
7	FOOTBOARD SUPPORT RAIL(L)		1 PC
8	SIDE RAIL (i)		2 PCS
9	SIDE RAIL (ii)		2 PCS

80210 QUEEN BED ASSEMBLY INSTRUCTION

PARTS LIST

ITEM	DESCRIPTION	DRAWING	QTY
10	CENTRE SUPPORT LEG (WITH PLASTIC COVER)		4 PCS
11	SLAT		4 PCS
12	SIDE RAIL LEG		2 PCS

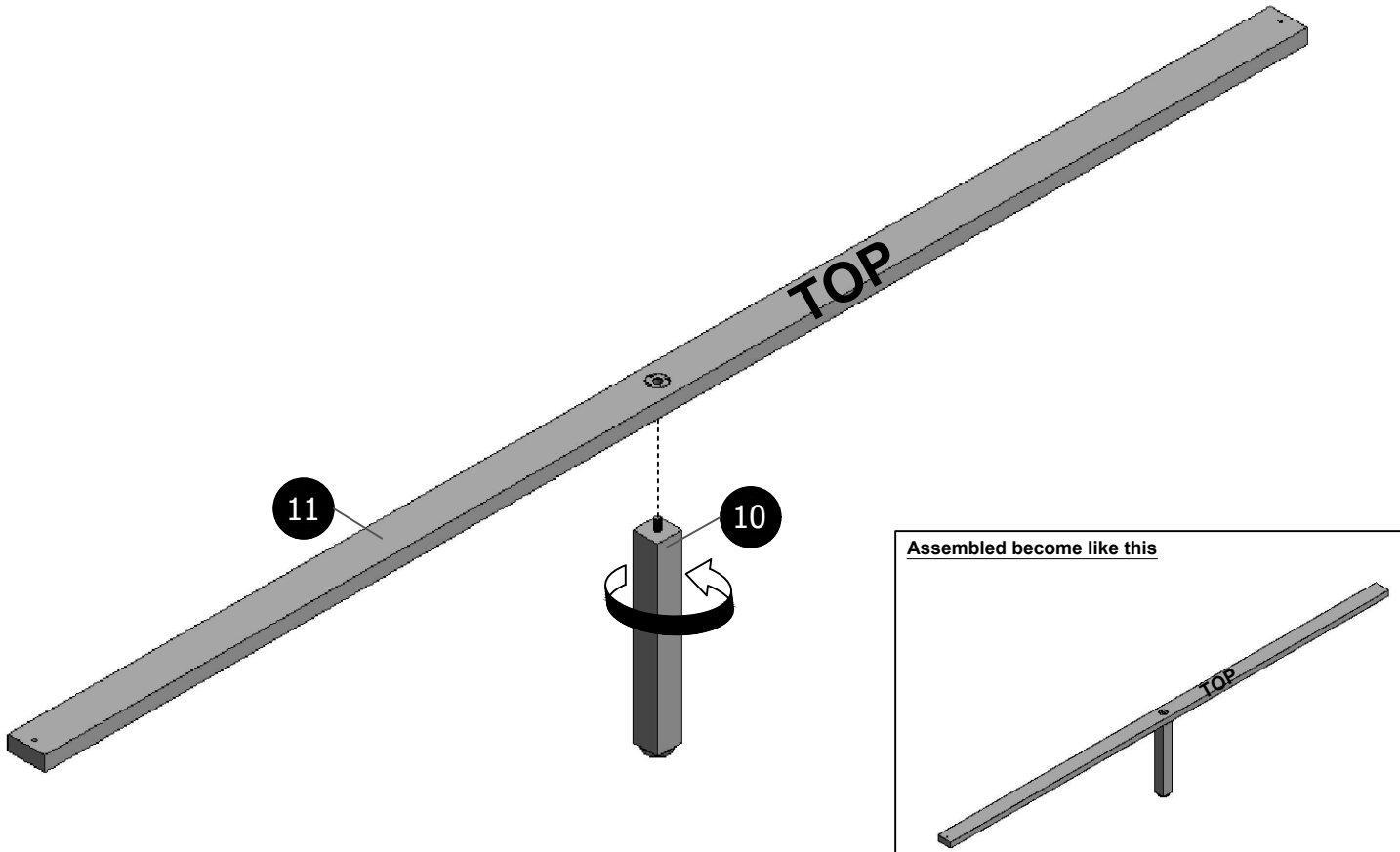
PARTS ' LOCATION



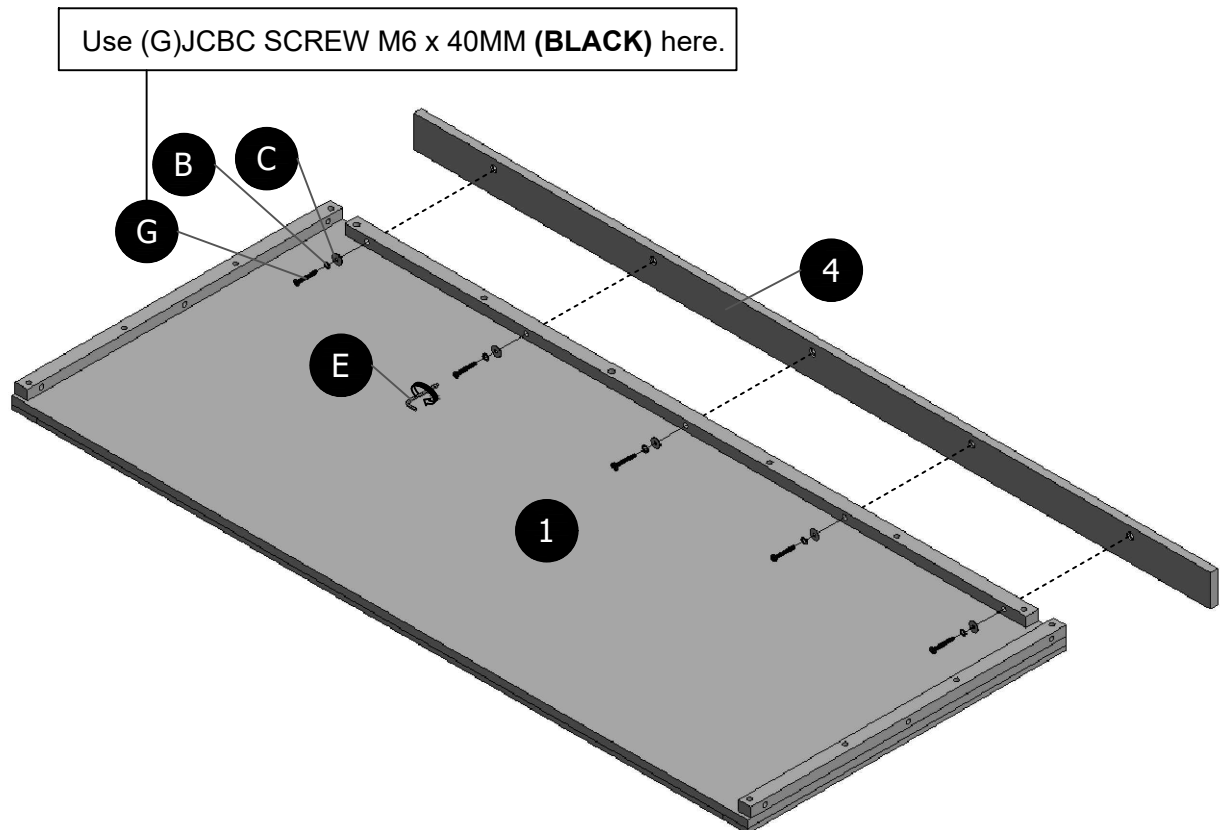
80210 QUEEN BED ASSEMBLY INSTRUCTION

ASSEMBLY STEPS

STEP 1

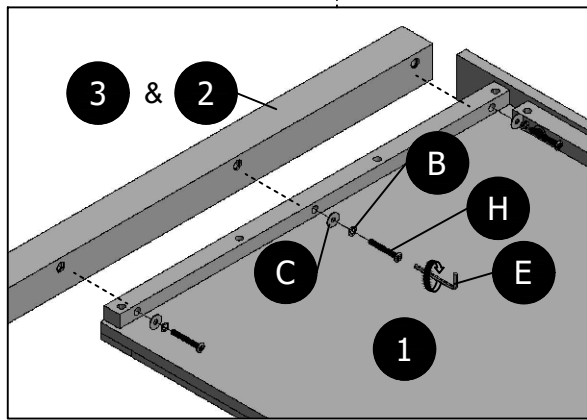
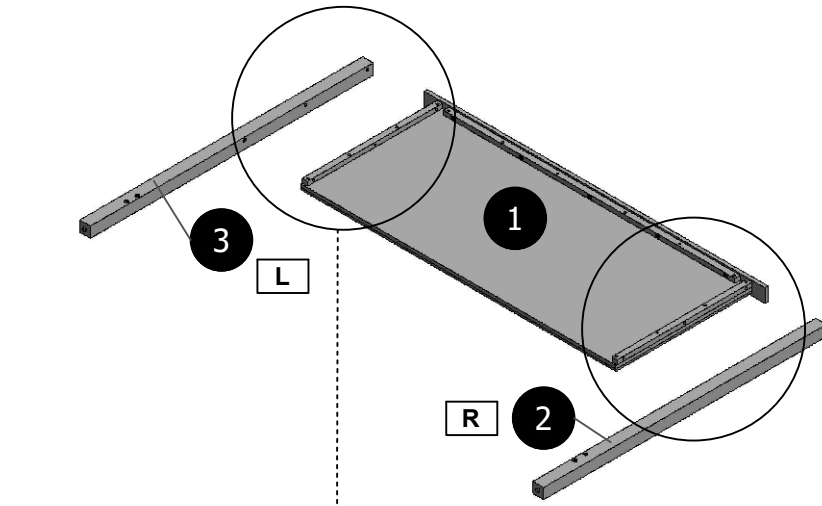


STEP 2

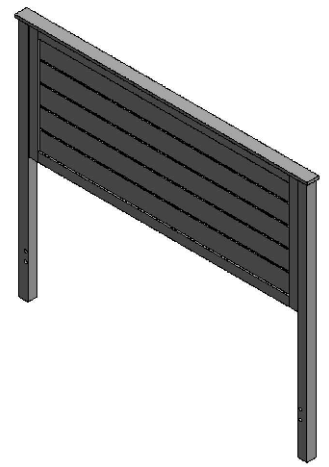


80210 QUEEN BED ASSEMBLY INSTRUCTION

STEP 3

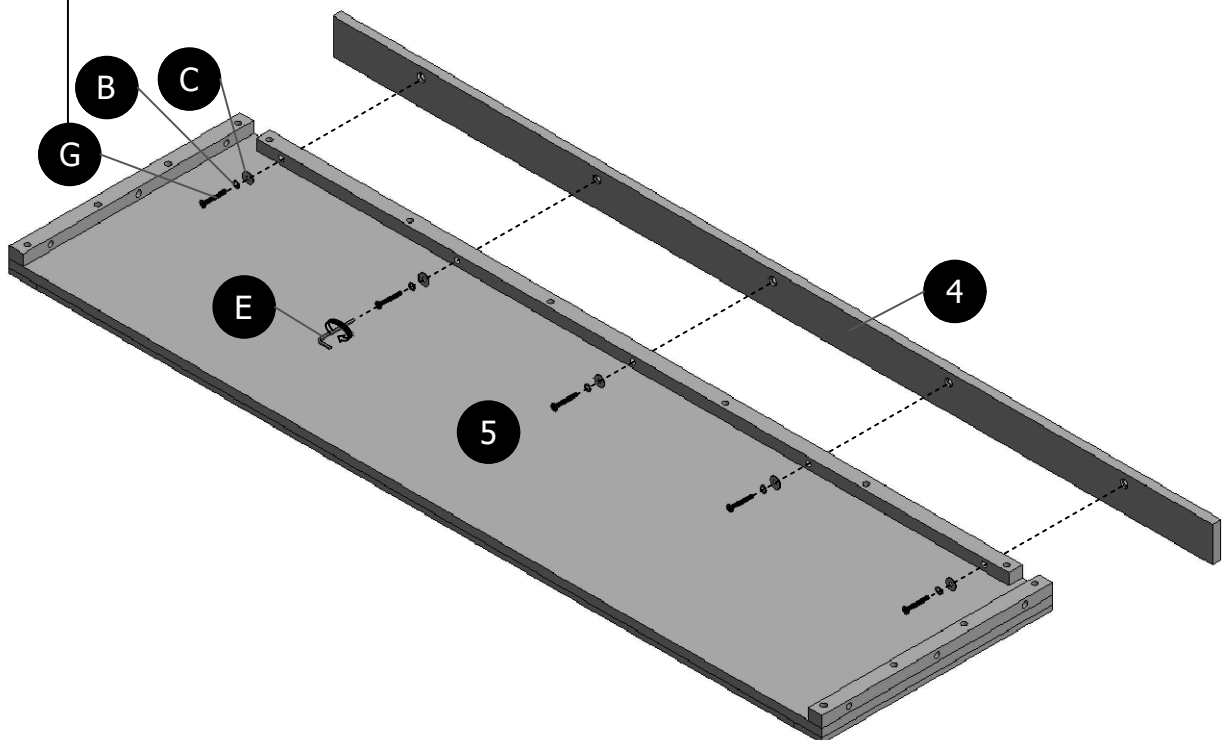


Assembled become like this



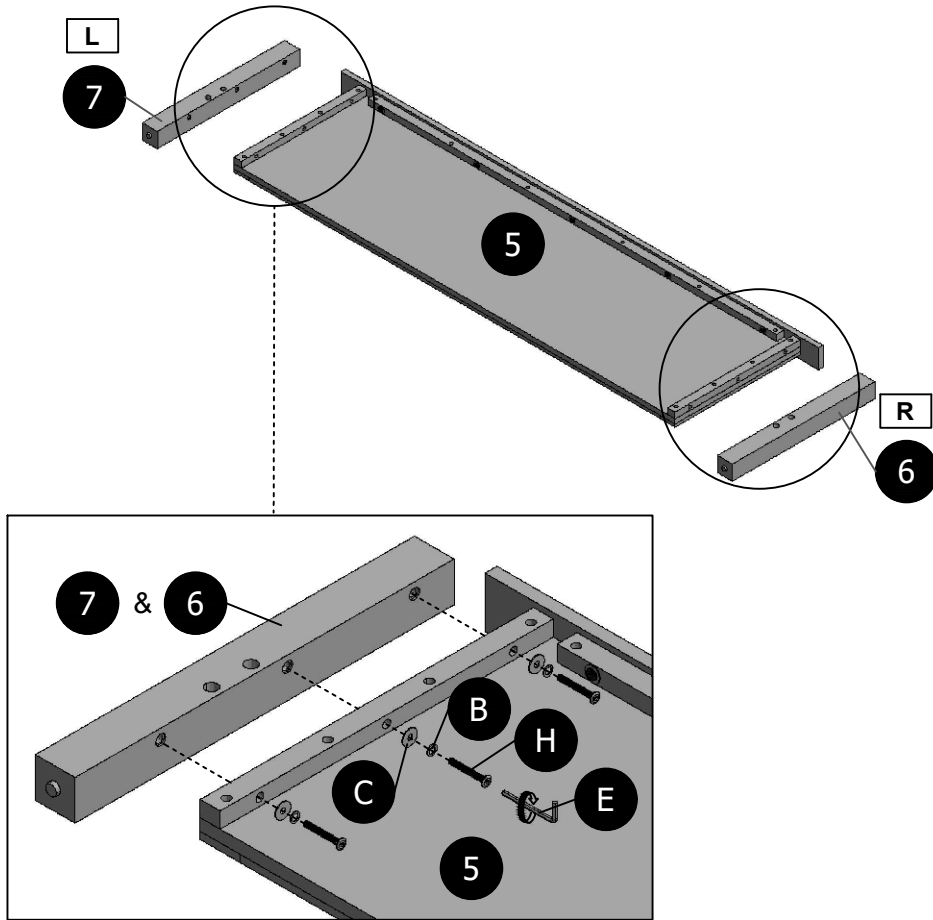
STEP 4

Use (G)JCBC SCREW M6 x 40MM (BLACK) here.

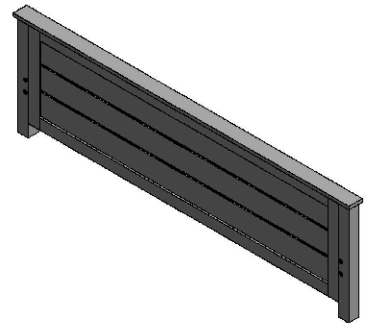


80210 QUEEN BED ASSEMBLY INSTRUCTION

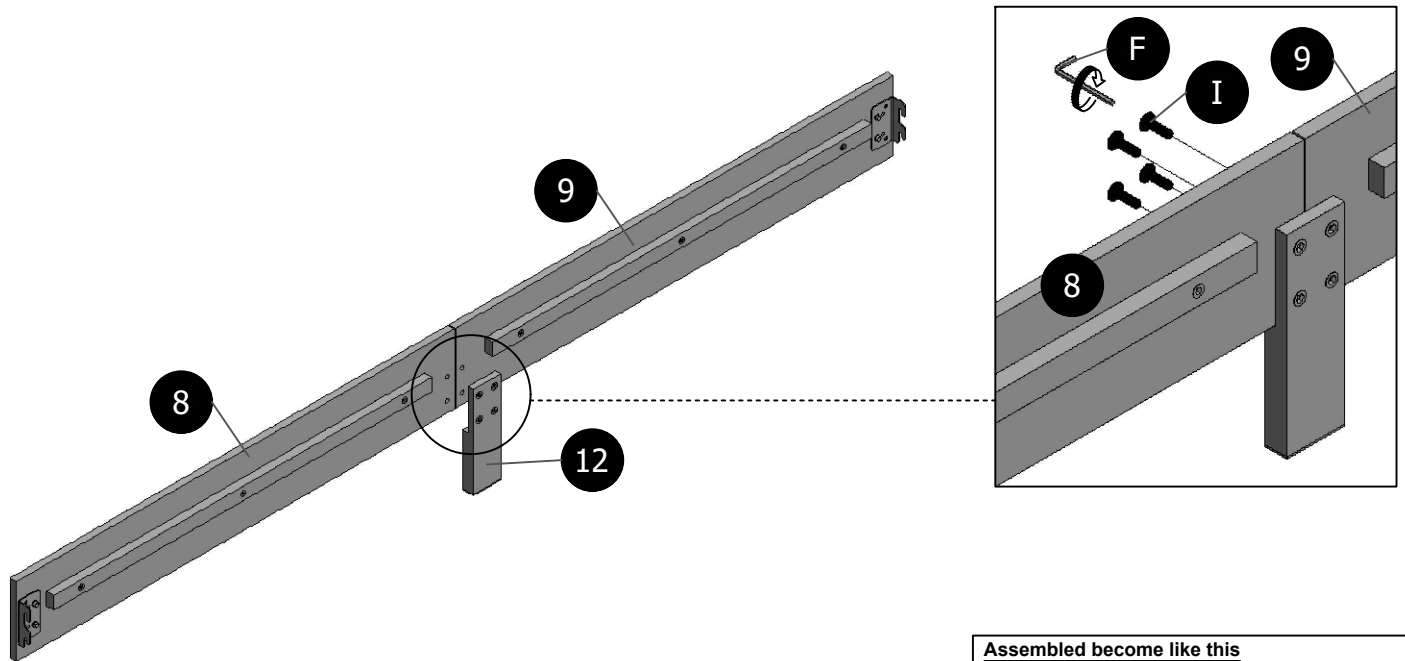
STEP 5



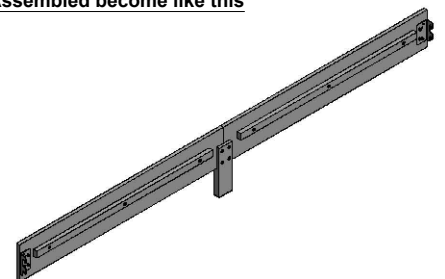
Assembled become like this



STEP 6

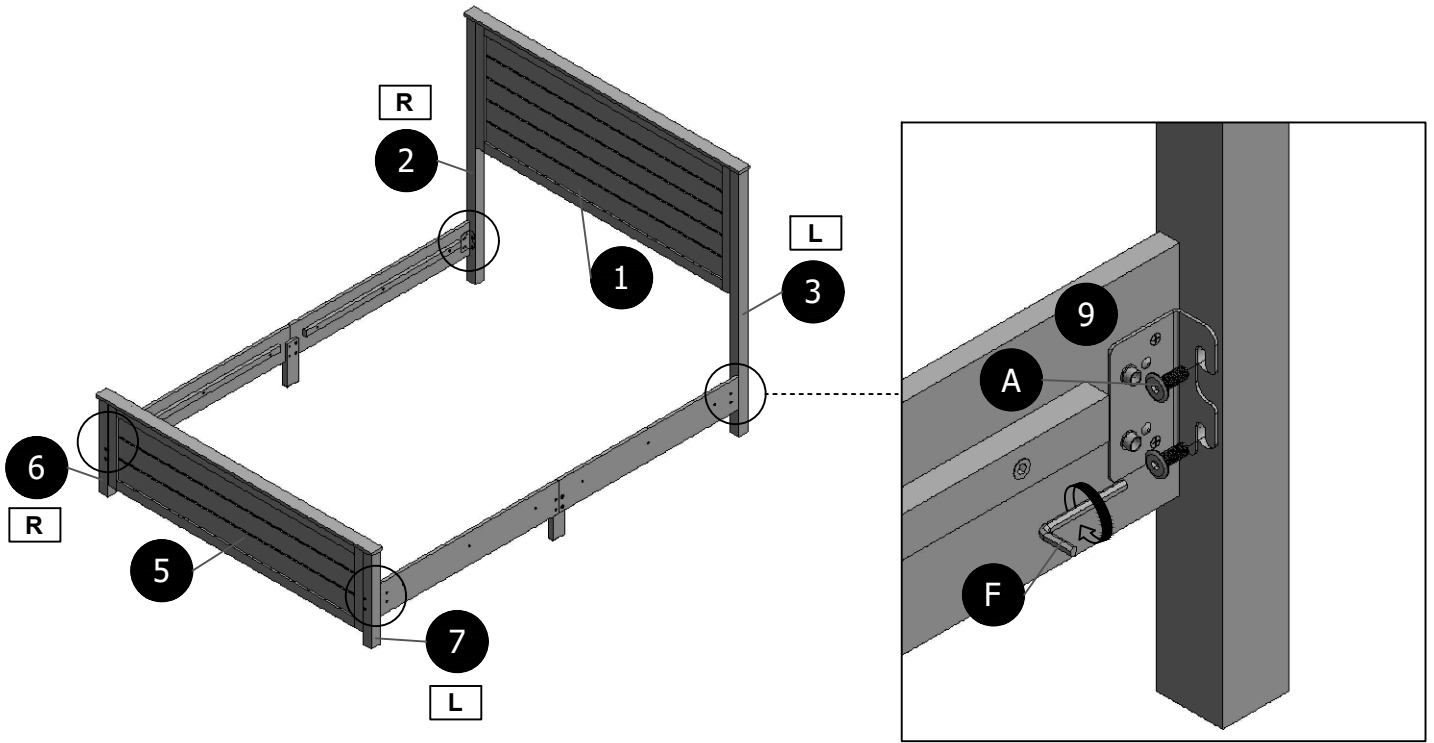


Assembled become like this

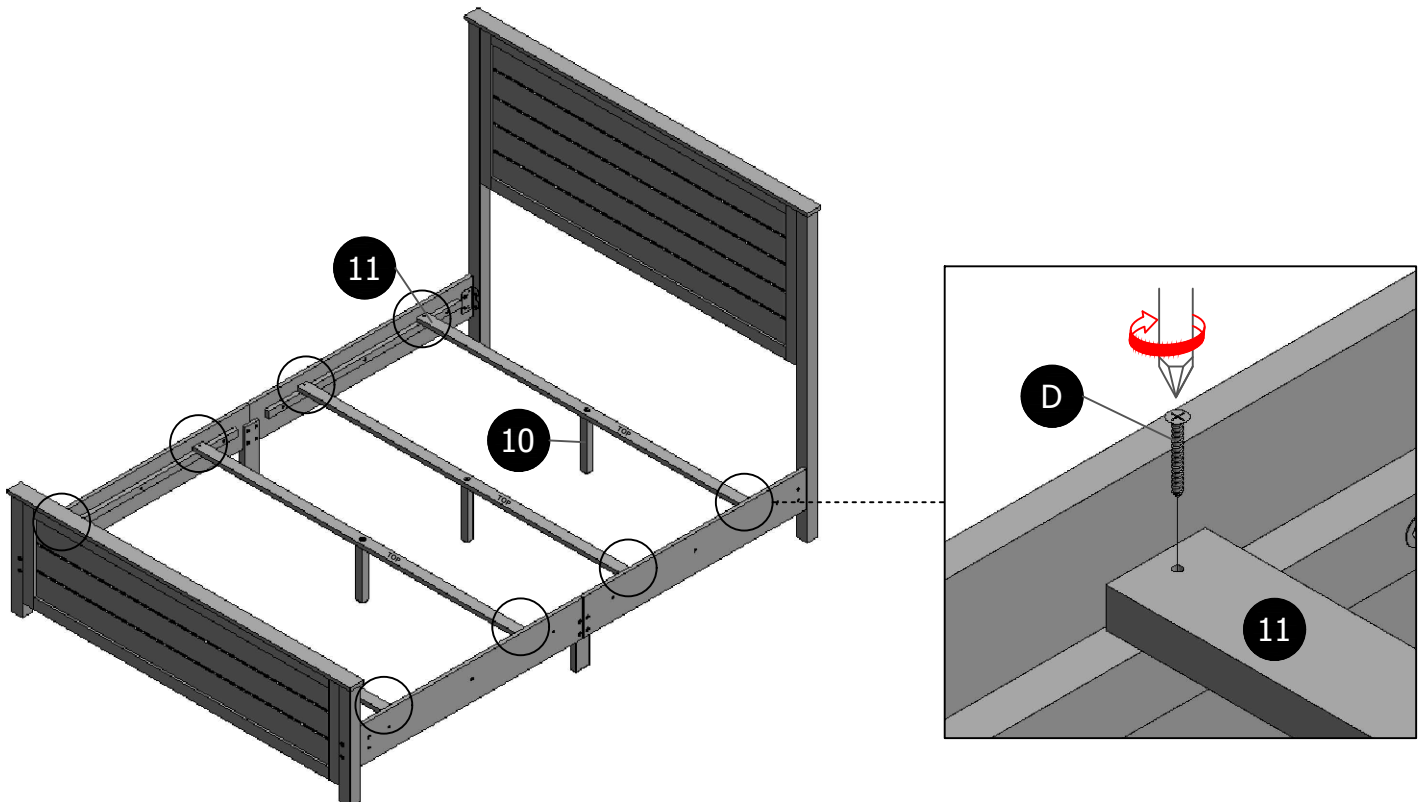


80210 QUEEN BED ASSEMBLY INSTRUCTION

STEP 7

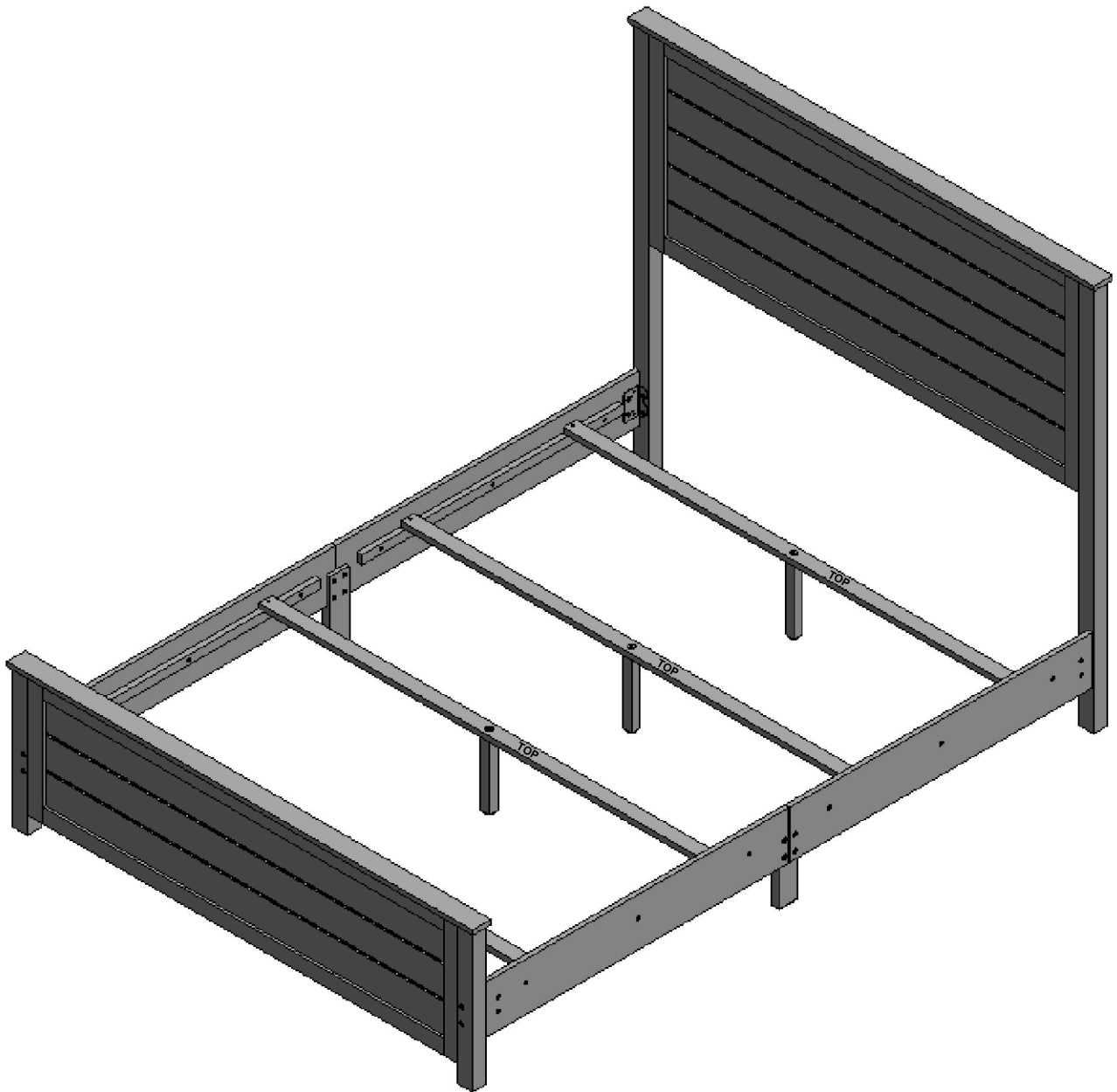


STEP 8



80210 QUEEN BED ASSEMBLY INSTRUCTION

STEP 9

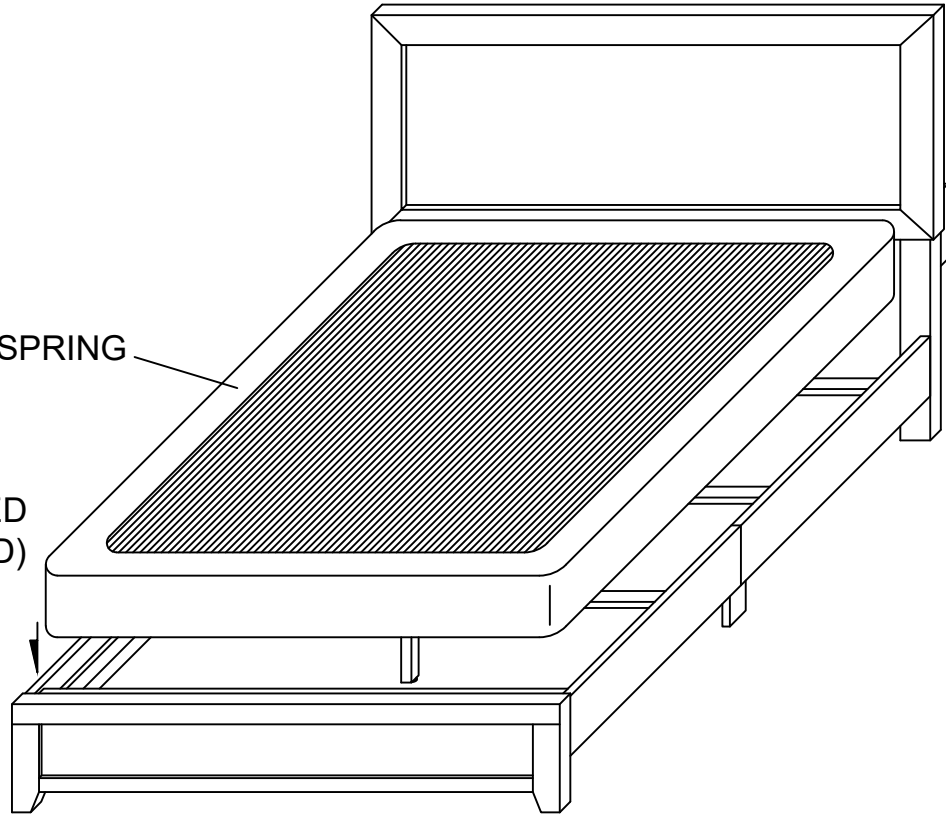


ASSEMBLY COMPLETED

** FOR ALL MODEL AND ALL SIZE BED

BOX SPRING

BOX SPRING REQUIRED
(NOT INCLUDED)



MATTRESS
(NOT INCLUDED)

