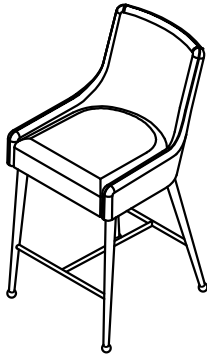


ASSEMBLY INSTRUCTIONS



+ Do Not Use Power Tools



+ Suggested Adults



NOTE: For questions about parts or assembly please call us

- 1 Read instructions cover to cover.
- 2 Save all packaging until assembly is completed.

1 IMPORTANT SAFETY INFORMATION

Do not assemble the product if any of the following parts arrived damaged:

- Part 1 - Counter stool front leg
- Part 2 - Counter stool back leg
- Part 3 - Counter stool tread
- Part 4 - Counter stool cushion

Do not assemble if any of the following Hardware parts are missing:

- Part A - Allen Key
- Part B - Bolt
- Part C - Bolt
- Part D - Bolt
- Part E - Shrapnel
- Part F - Gasket

2 IMPORTANT ASSEMBLY INFORMATION

Assembly Step If loosening persists, please make sure to tighten all the bolts periodically, or use a thread locker adhesive.

+ Parts Included

- ① Front leg x1pc



- ② Back leg x1pc



- ③ Tread x1pc



- ④ Cushion x1pc



+ Hardware Included

- A** Allen Key x1pc
4#



- B** Bolt x2pcs
M6x8



- C** Bolt x2pcs
M6x35



- D** Bolt x4pcs
M6x40



- E** Shrapnel x4pcs
Ø13

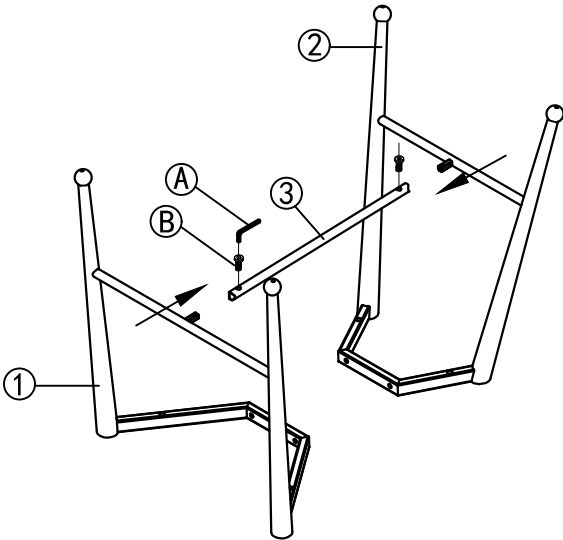


- F** Gasket x6pcs
Ø16xØ6



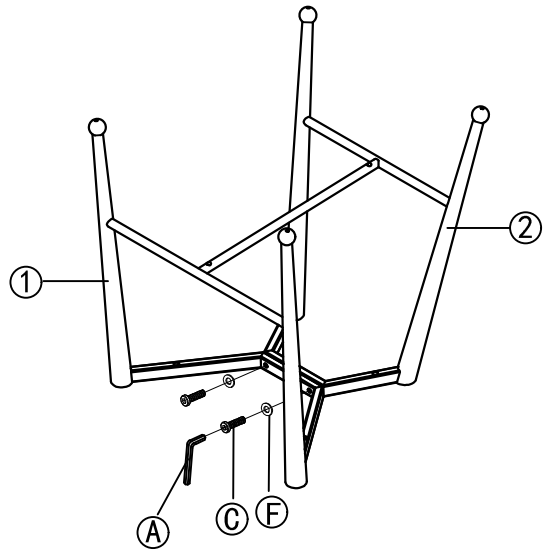
ASSEMBLY INSTRUCTIONS

①



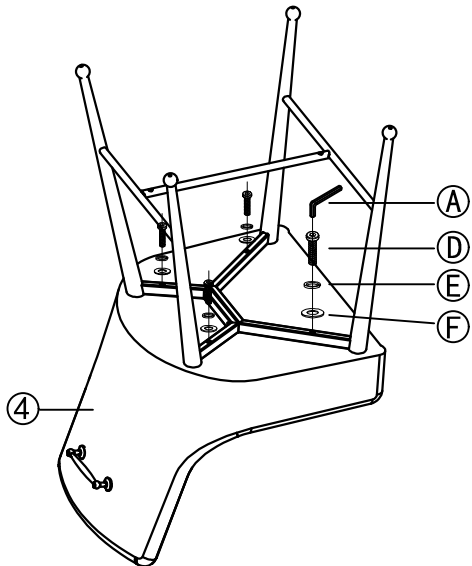
WARNING: Screw from the side with hole to the side with T-nut.

②



WARNING: The side with hole is on bottom.

③



④

