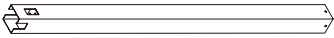



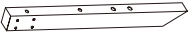

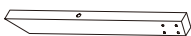






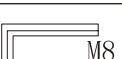


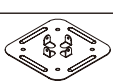
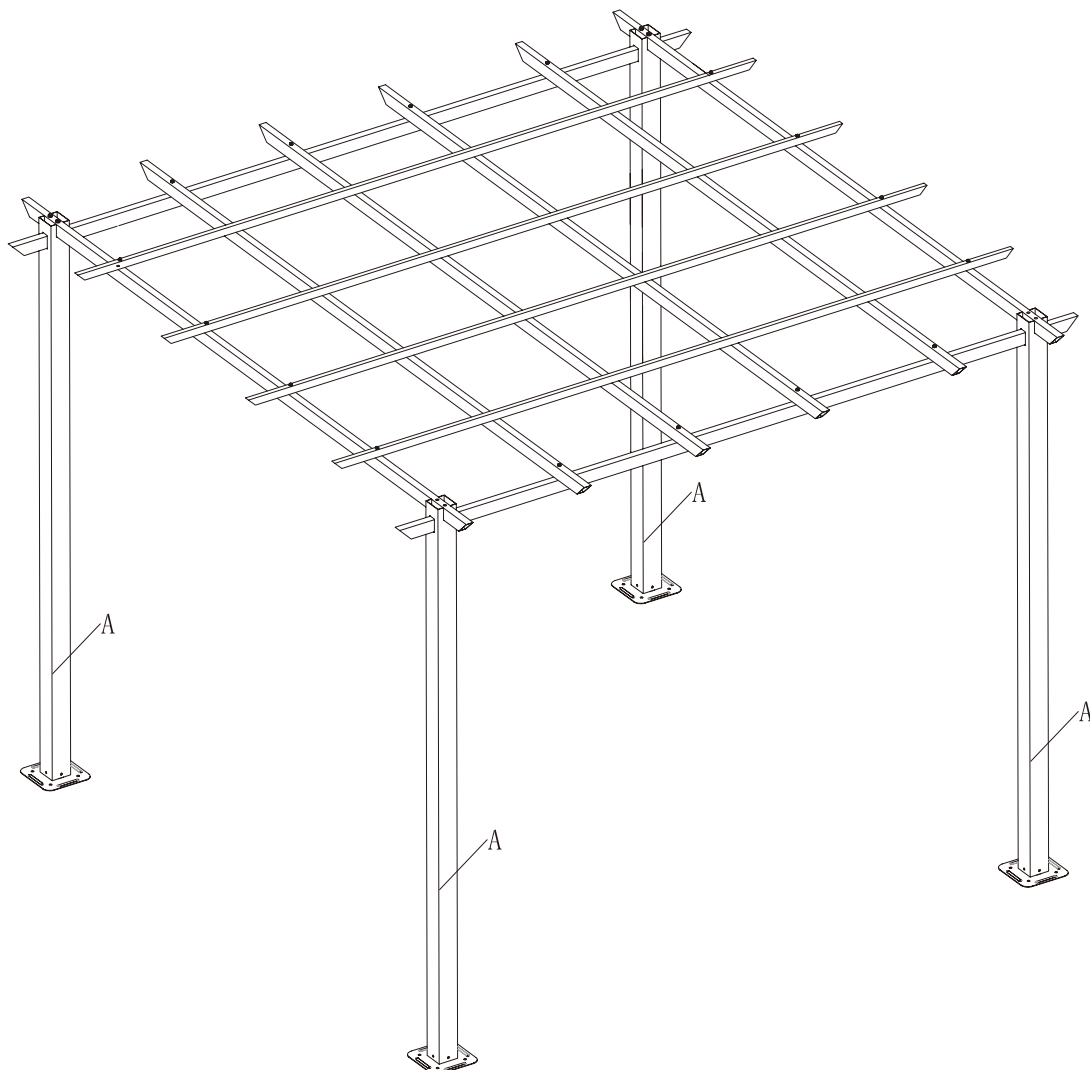


READ AND SAVE THIS INSTRUCTION FOR FUTURE USE

ASSEMBLY INSTRUCTION

NO.	COMPONENT	QTY	NO.	COMPONENT	QTY
A		4	G	 M8*60	16
B		4	I	 M6*15	80
B1		4	J	 M6*40	8
C		4	K	 M6*60	8
C1		4	M	 M6	96
D		4	N	 M6	1
D1		4	N1	 M8	1
E		8	O		8
F		4			

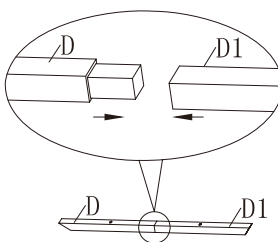
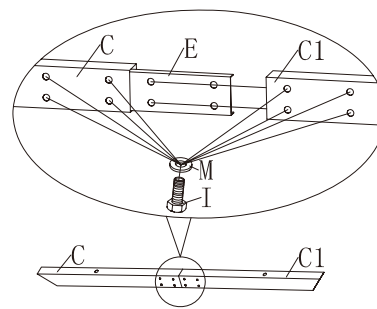
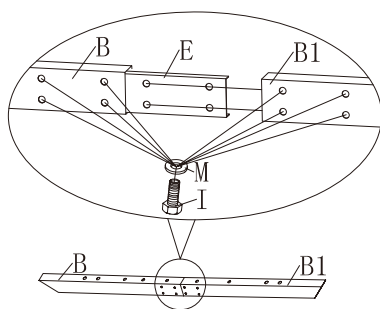




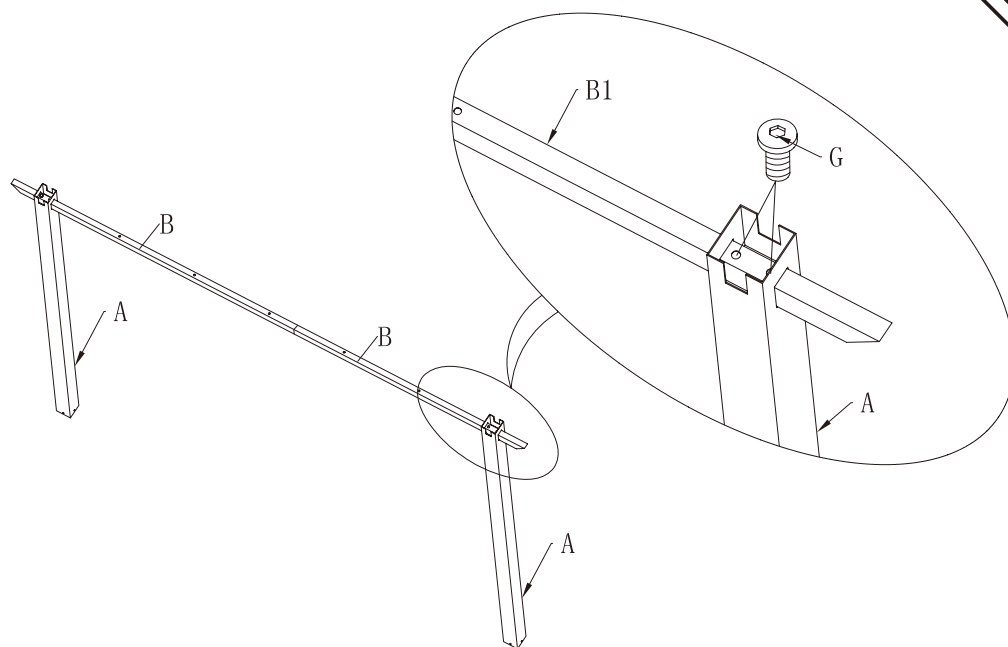
Ix64



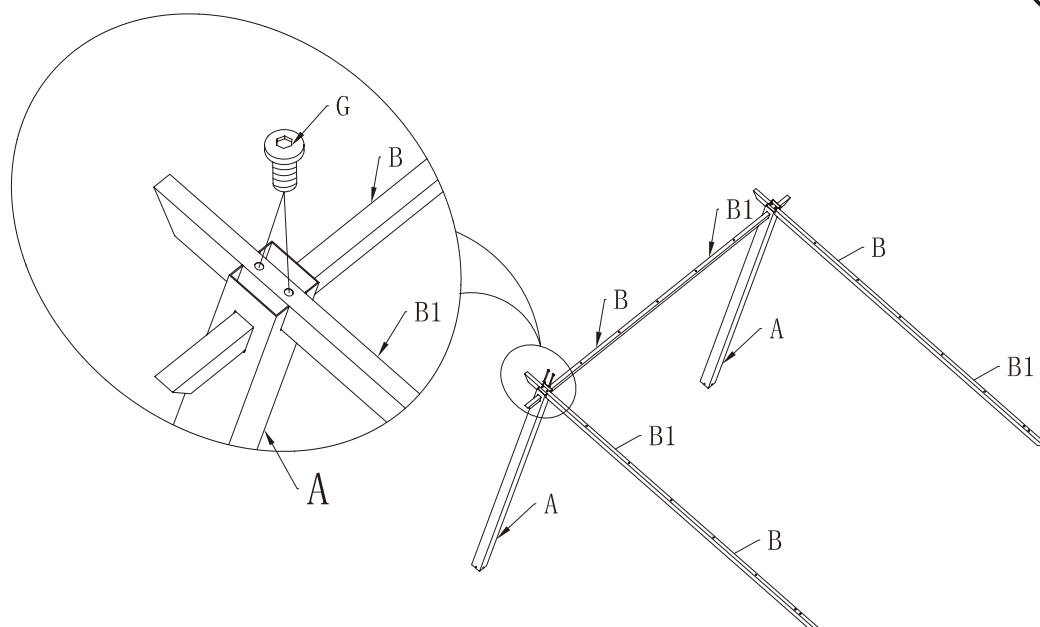
Mx64




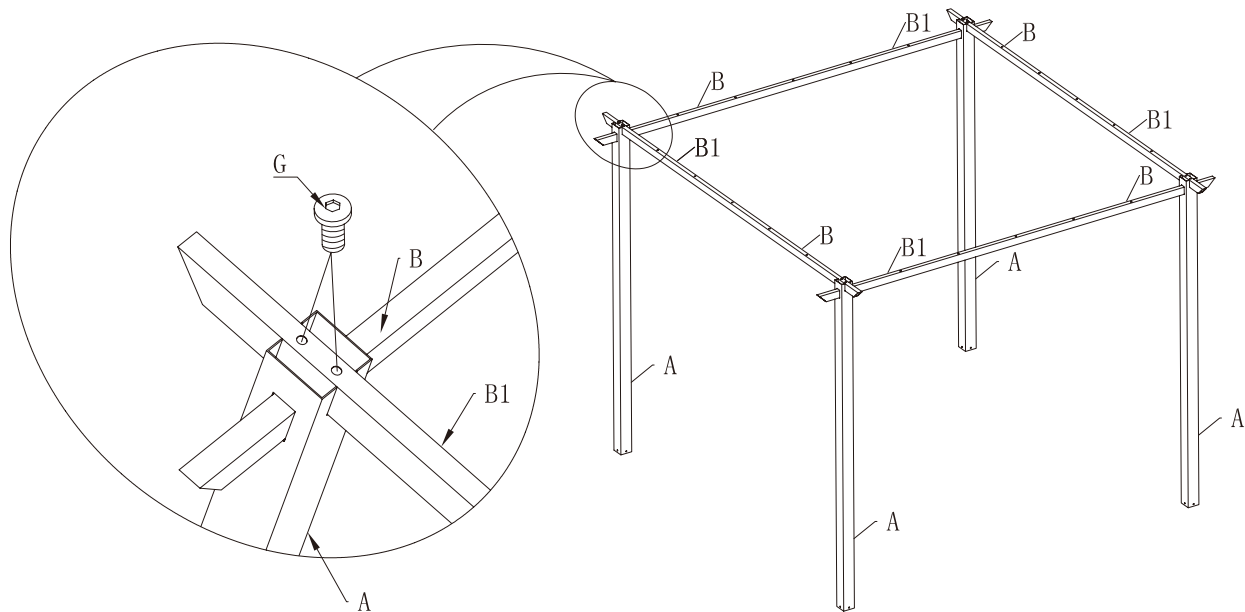
Gx8


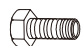




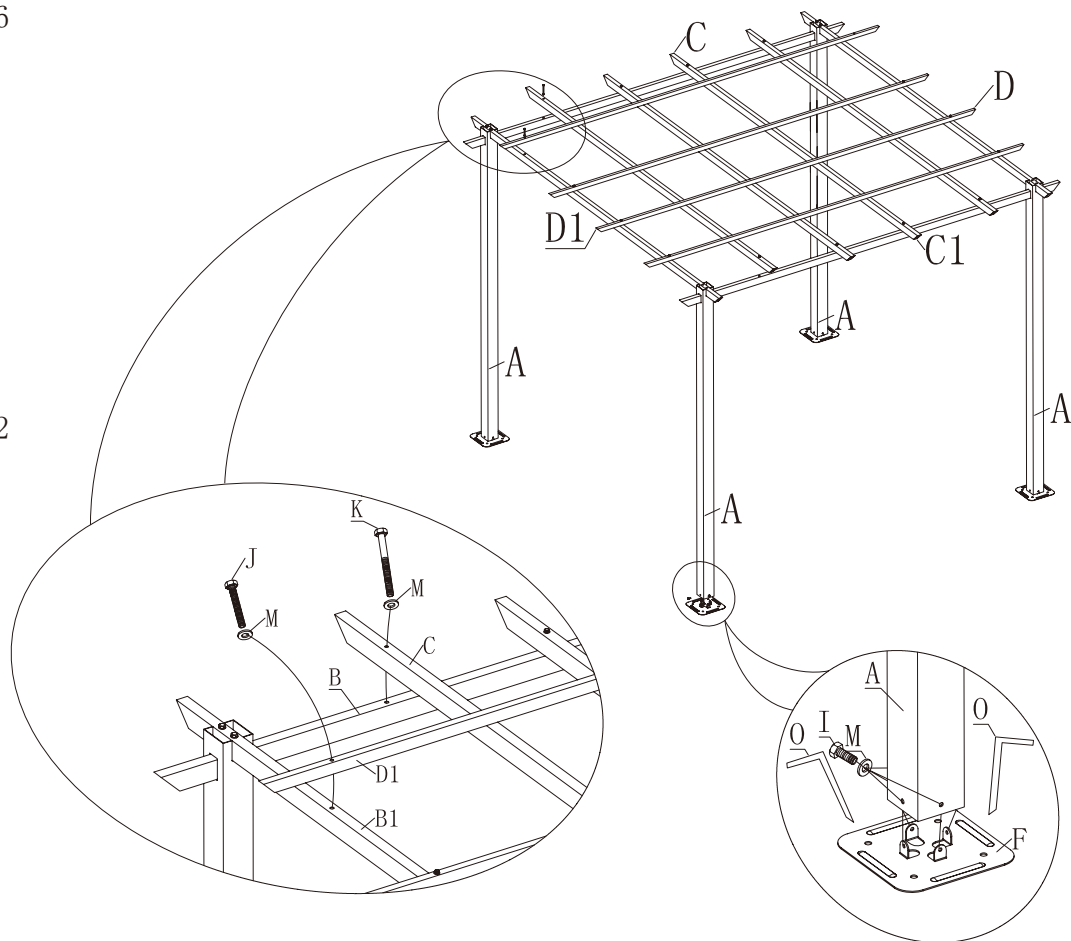
Gx4



-  Gx4
- M8*60

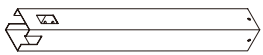
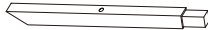
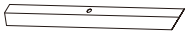


-  Ix16
- M6*15
-  Jx8
- M6*40
-  Kx8
- M6*60
-  Mx32
- M6

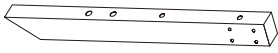
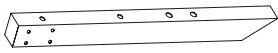
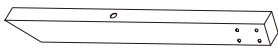
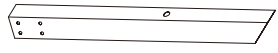
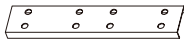

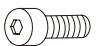


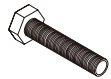

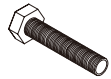




PACKING DETAILS: TOTAL 2 BOXES

BOX 1/2:

PART NO.	PART	QTY
A		4
D		4
D1		4

BOX 2/2:

PART NO.	PART	QTY
B		4
B1		4
C		4
C1		4
E		8
F		4
G	 M8*60	16

PART NO.	PART	QTY
I	M6X15 	80
J	M6X40 	8
K	M6X60 	8
M	M6 	96
N	 M6	1
N1	 M8	1
O		8