

# TRIO BUNK BED

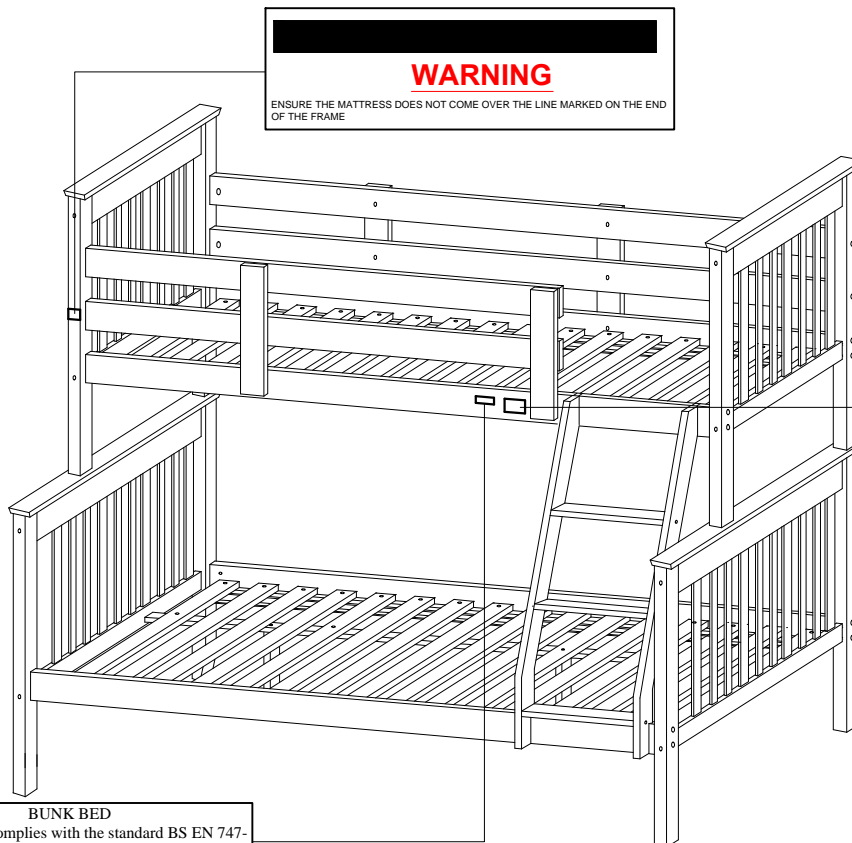
## ***IMPORTANT - READ CAREFULLY - RETAIN FOR FUTURE REFERENCE***

- All assembly fastenings should always be tighten properly and care should be taken that no fittings are loose.
- This bunk bed should not be used if any structural part is broken or missing.
- Upper bed of bunk beds are not suitable for children under six years due to the risk of injury from falls.
- Children can strangle in items such as ropes, strings, cords, harnesses and belts attached to or hung on a bunk bed.
- Always follow the manufacturer's instruction.
- Ventilation of the room is necessary in order to keep the humidity low and to prevent mould in and around the bed.
- This bed is suitable for mattress with size W915 x L1900mm / W1372 x L1900mm.

**Warning : " Children can become trapped between the bed and the wall. To avoid risk of serious injury the distance between the top safety barrier and the wall shall not exceed 75mm or shall be more than 230mm."**

### **Important Note:**

**Thickness of mattress should not above this max. mattress height as indicated here.**



**WARNING**  
ENSURE THE MATTRESS DOES NOT COME OVER THE LINE MARKED ON THE END OF THE FRAME

**WARNING**  
TO HELP PREVENT SERIOUS OR FATAL INJURIES FROM ENTRAPMENT OR FALLS:

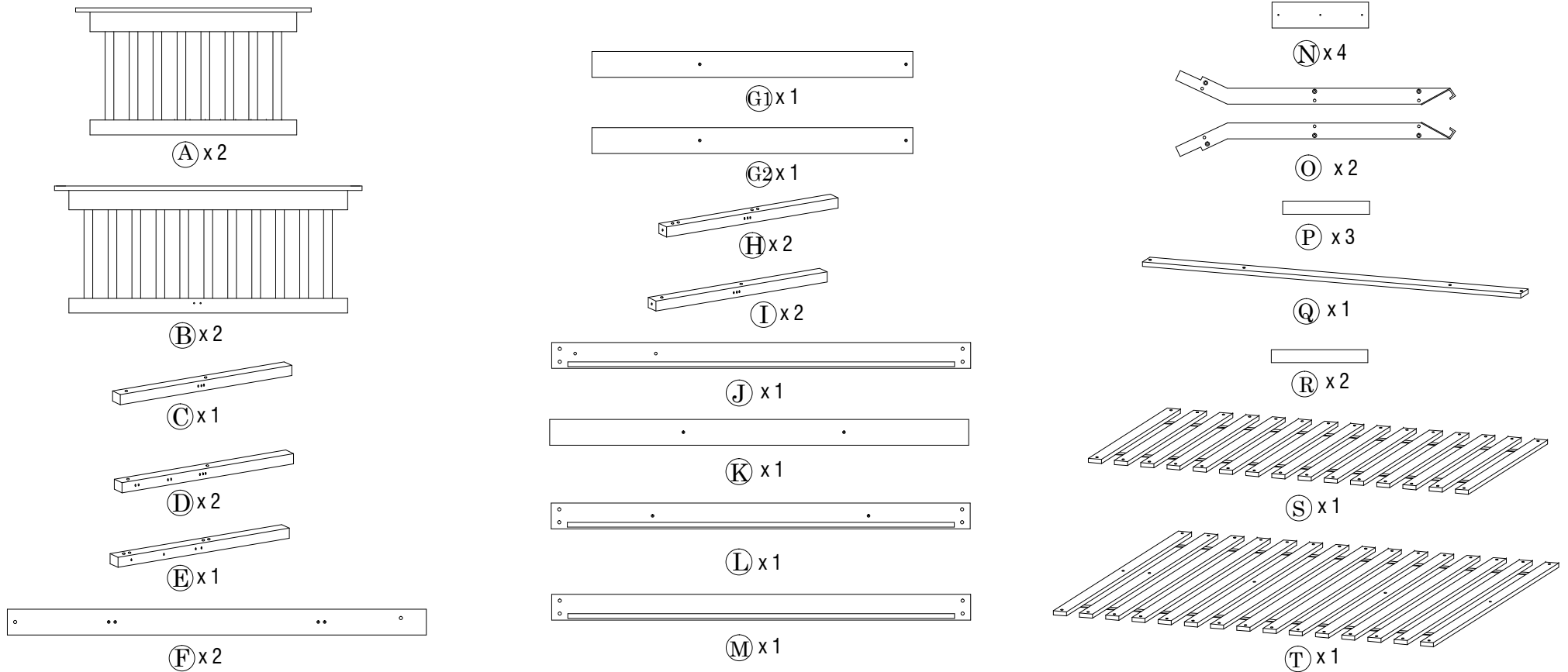
- NEVER ALLOW A CHILD UNDER 6 YEARS ON UPPER BUNK
- THE DISTANCE BETWEEN THE TOP OF THE MATTRESS AND THE UPPER EDGE OF THE SAFETY BARRIERS SHALL BE AT LEAST 160MM
- USE GUARDRAILS ON BOTH SIDES OF UPPER BUNK
- PROHIBIT HORSEPLAY ON OR UNDER BED(S)
- PROHIBIT MORE THAN ONE PERSON ON UPPER BUNK
- USE LADDER FOR ENTERING AND LEAVING UPPER BUNK


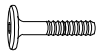

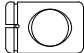


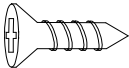
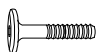
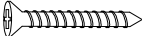
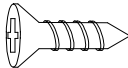
**DO NOT REMOVE THIS LABEL**

#### **BUNK BED**

This bunk bed complies with the standard BS EN 747-1:2012+AI:2015 & BS EN 747-2:2012+AI:2015  
Manufactured by: GET Furniture Sdn Bhd





# TRIO BUNK BED

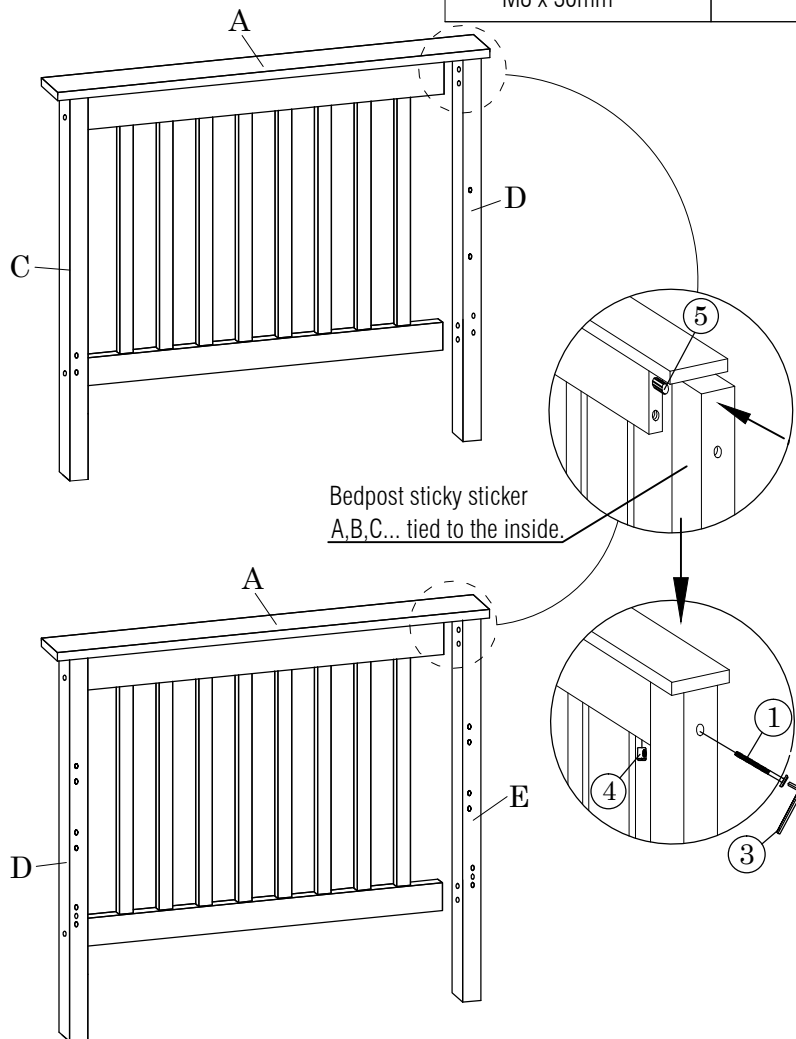


1.  x 38 M6 x 100mm	2.  x 14 M6 x 35mm	3.  x 1 ALLEN KEY	4.  x 38 M6 x 13mm	5.  x 36 M8 x 30mm	6.  x 4 M9.5 x 105mm
7.  x 2 M3.5 x 16mm	8.  x 8 M6 x 50mm	9.  x 70 M4 x 30mm	10.  x 2 M3.5 x 12mm		





# TRIO BUNK BED

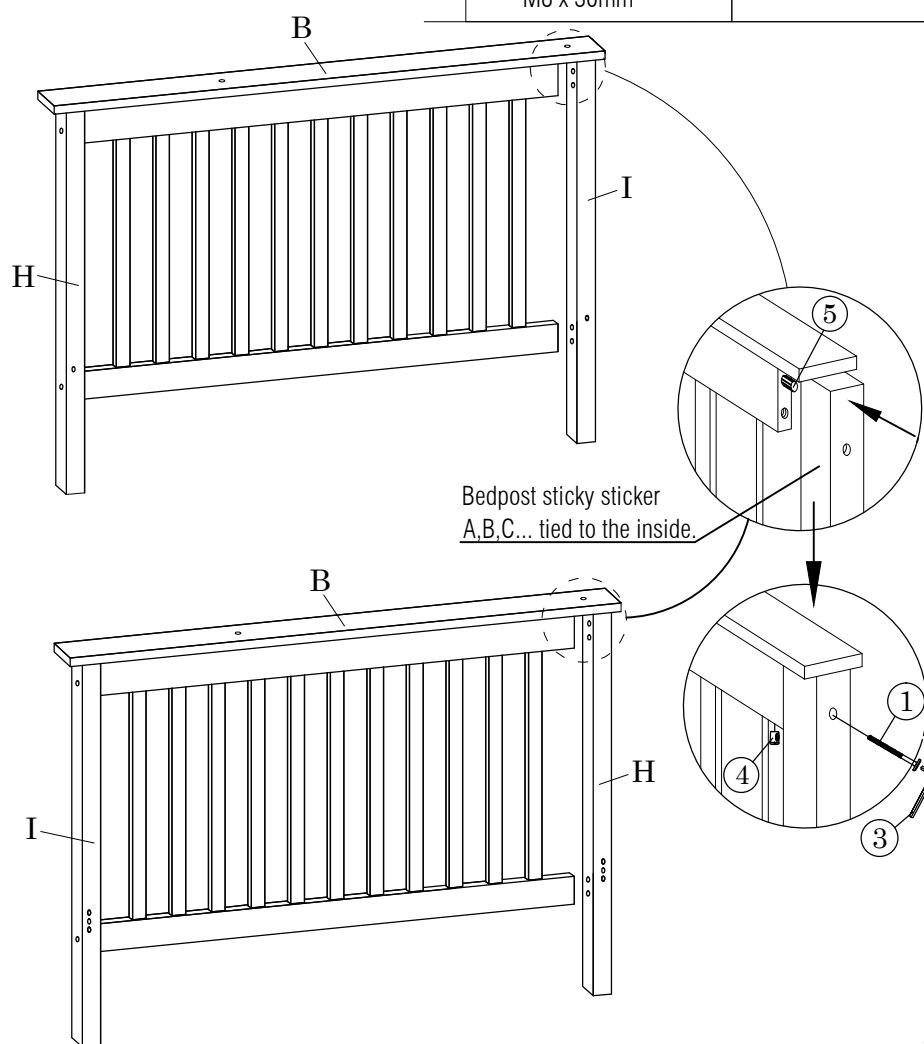
1

1.  x 8 M6 x 100mm	4.  x 8 M6 x 13mm
5.  x 8 M8 x 30mm	3.  x 1




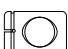


2

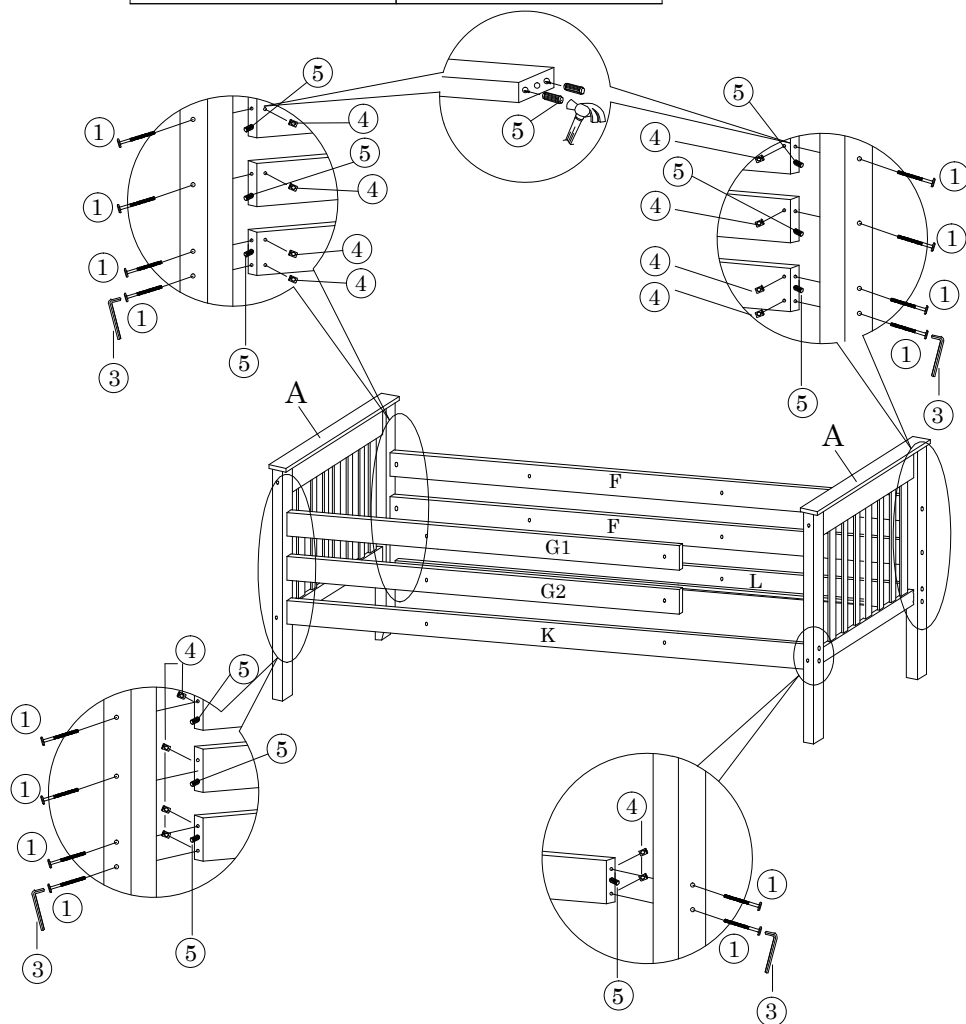
1.  x 8 M6 x 100mm	4.  x 8 M6 x 13mm
5.  x 8 M8 x 30mm	3.  x 1



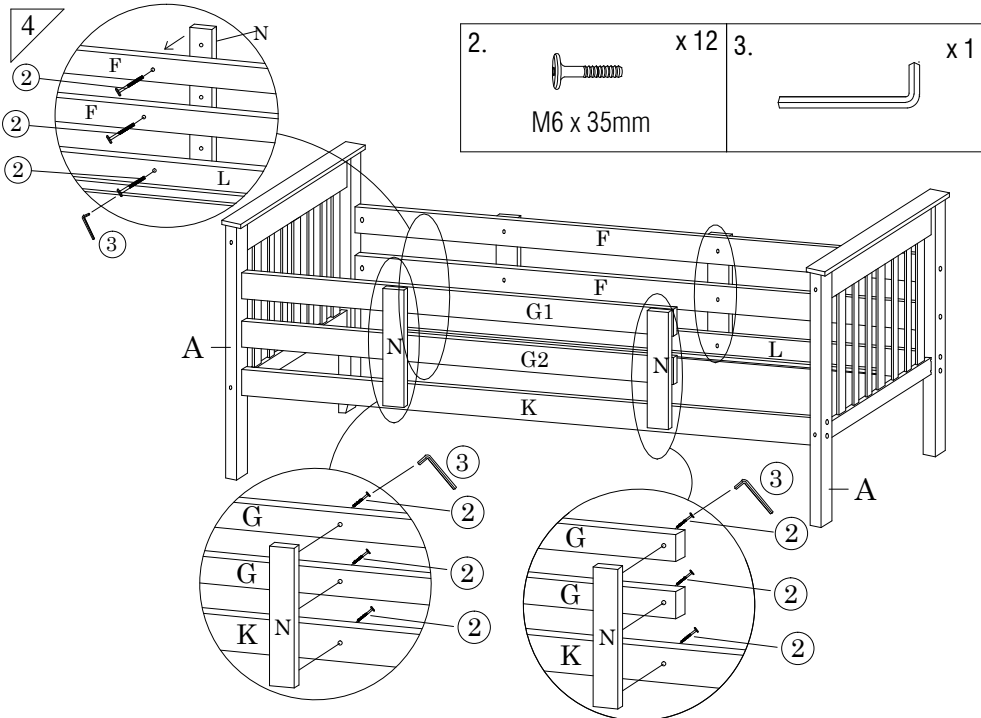
# TRIO BUNK BED

3

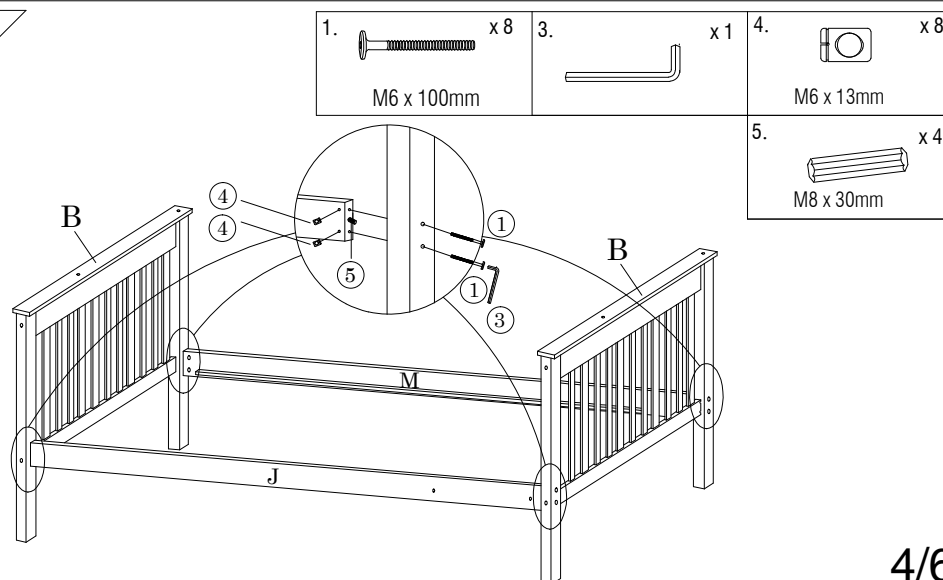
1.  x 14 M6 x 100mm	4.  x 14 M6 x 13mm
5.  x 10 M8 x 30mm	3.  x 1



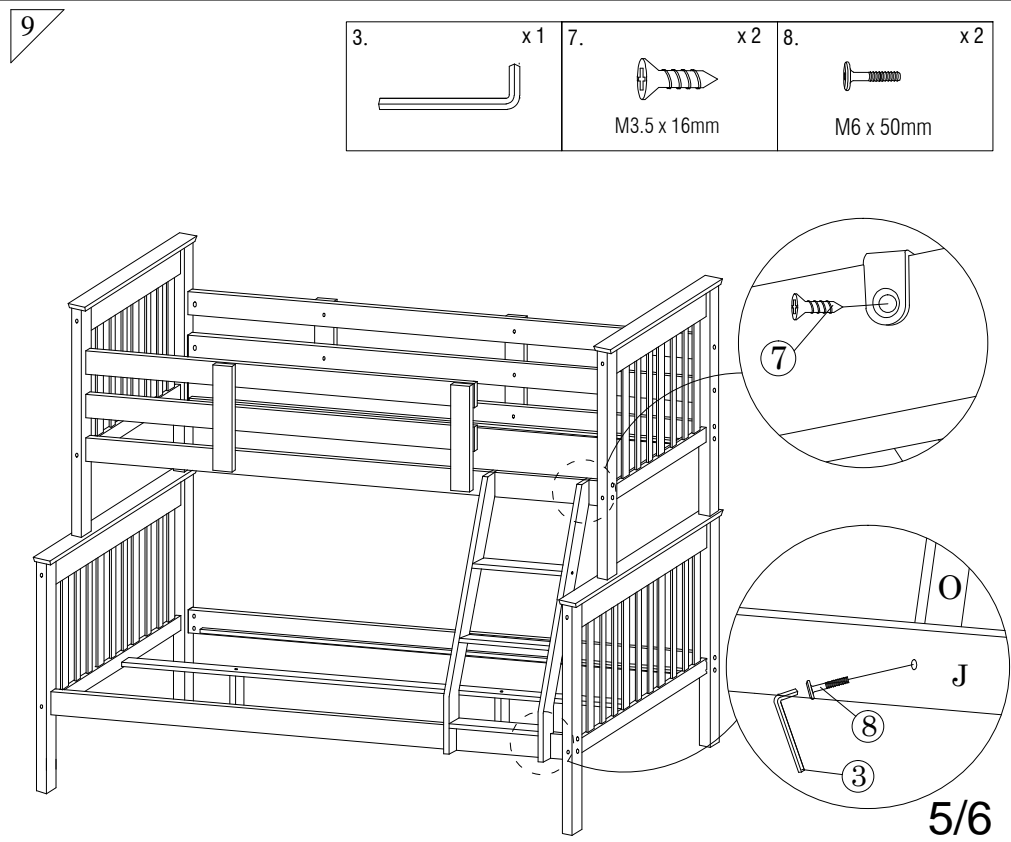
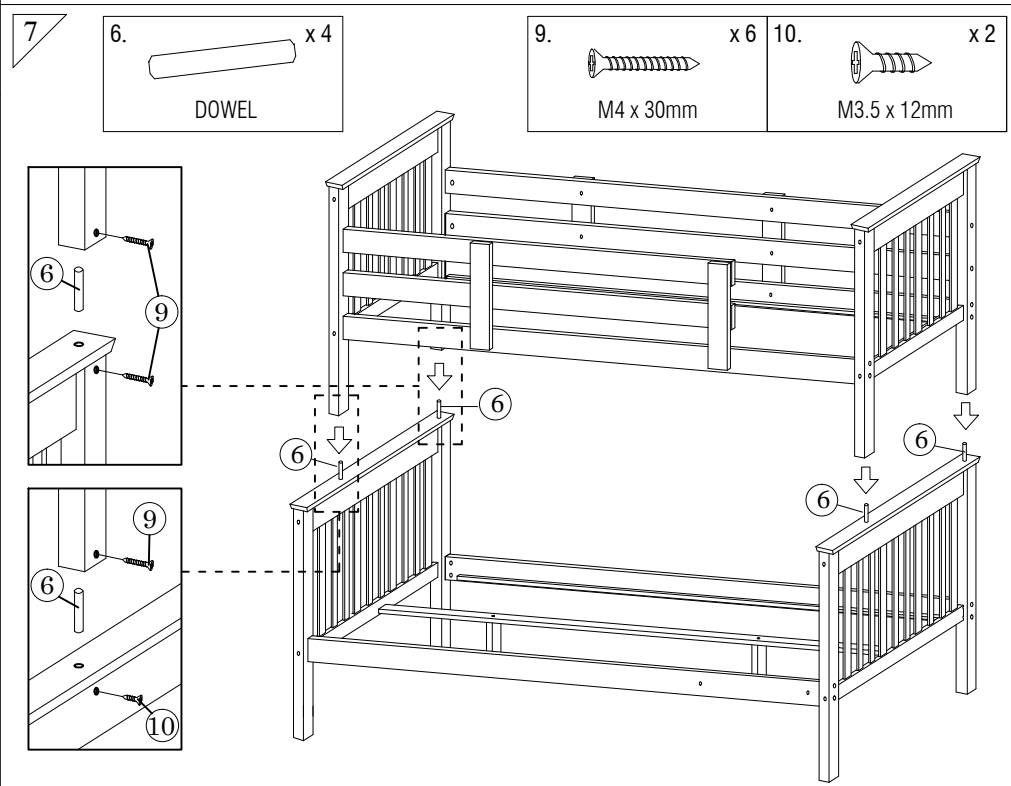
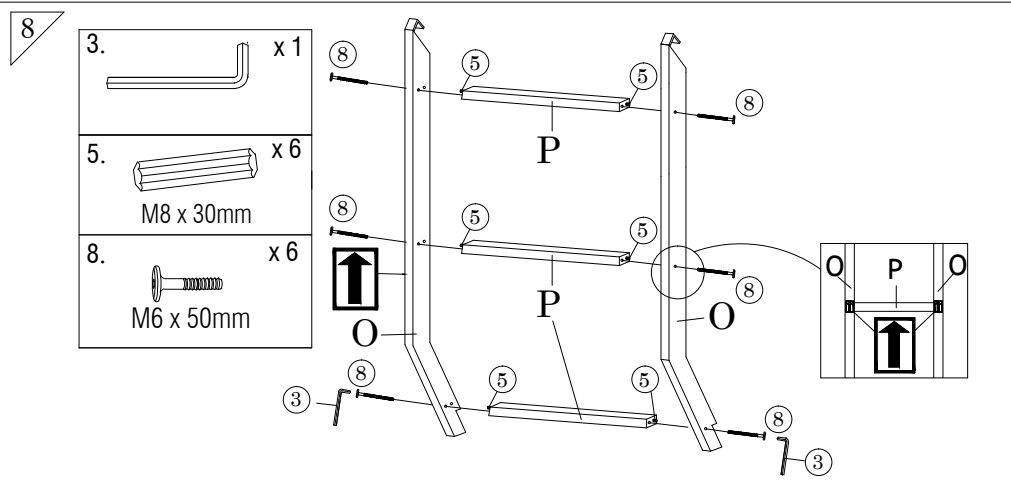
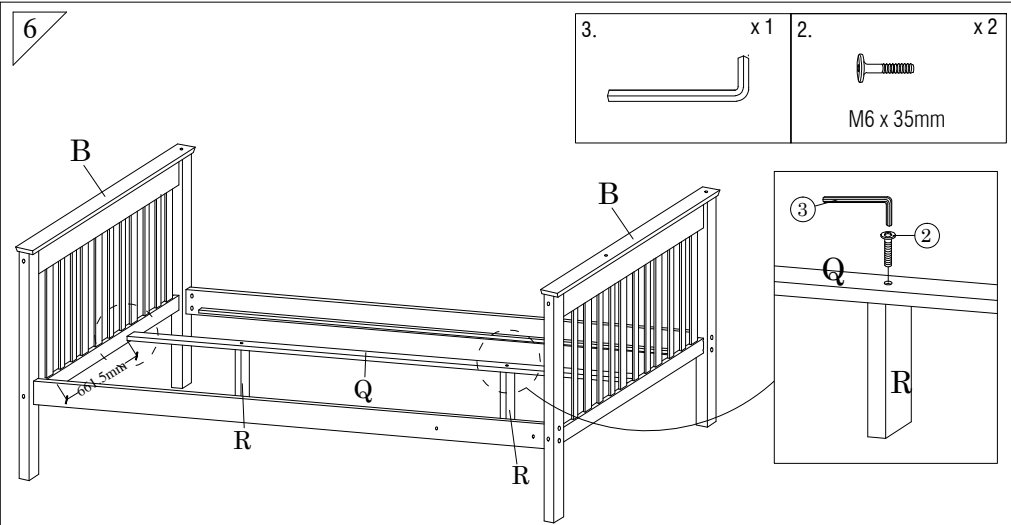
4



5



# TRIO BUNK BED



# TRIO BUNK BED

10

9.  x 64  
M4 x 30mm

