

NARROW BOOKCASE INSTRUCTION MANUAL

Limited Warranty

Products are warranted to be free from defects in materials and workmanship for one year from the date of original purchase.

If you believe your product is defective, damaged, or missing any parts, please contact our Customer Service Department by phone or email, and they will assist in providing the replacement parts needed.

Prior to contacting us, please make sure you have the following:

- Order number or Purchase Order number
- Manufacturer model number
- Description of the defect, damaged, and/or missing parts

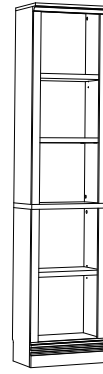
For parts requests, please include any images of the defective/damaged part(s). Following the replacement request procedures will help our customer service representatives process your request quicker. If the part request is due to a missing part in your order, please refer to the instruction manual for parts identification, or let our team know and they can assist you with finding the correct part name or number.

Please refrain from returning the product to us unless specifically instructed to do so. If a return is necessary, it must be processed through the original store of purchase, and proof of purchase must be provided. The return or exchange policy may vary depending on the specific store from which the order was placed. Please contact the store of purchase directly for assistance.

Note: *This warranty does not cover typical wear-and-tear. Replacement parts will be shipped using standard ground service.*

We are not liable for any consequential damages resulting from the purchase or use of our products, nor for any personal injury or property damage arising from product use. Under this warranty, our liability is limited to the replacement of defective parts as outlined above.

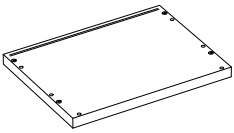
NARROW BOOKCASE



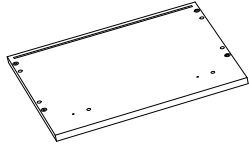
Instructions

Do not tighten bolts completely until the product is fully assembled

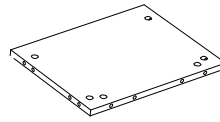
① x1



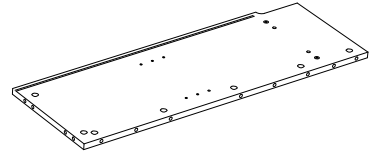
② x1



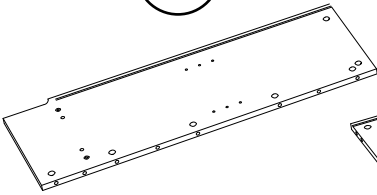
③ x1



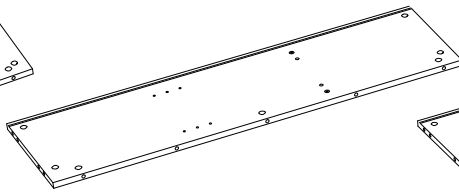
④ x1



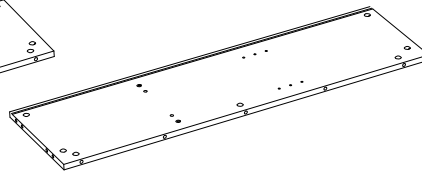
⑤ x1



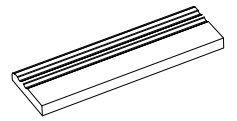
⑥ x1



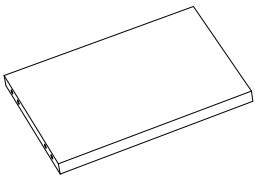
⑦ x1



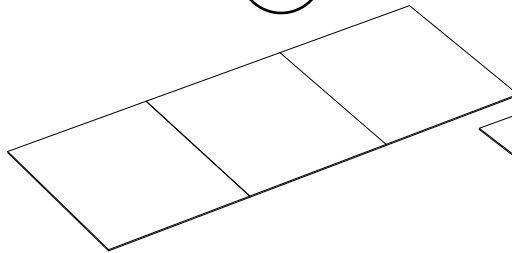
⑧ x1



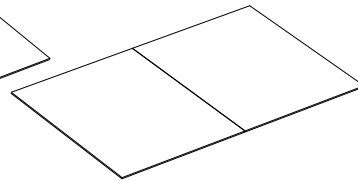
⑨ x1



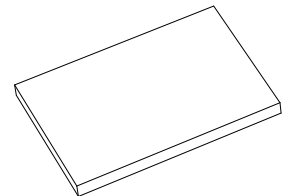
⑩ x1



⑪ x1



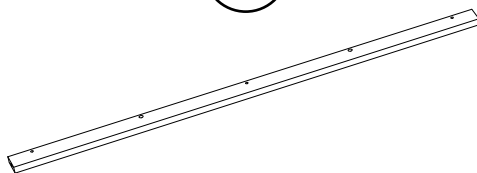
⑫ x2



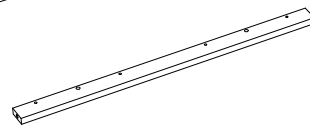
⑬ x1



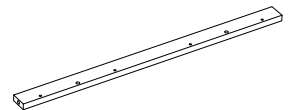
⑭ x2



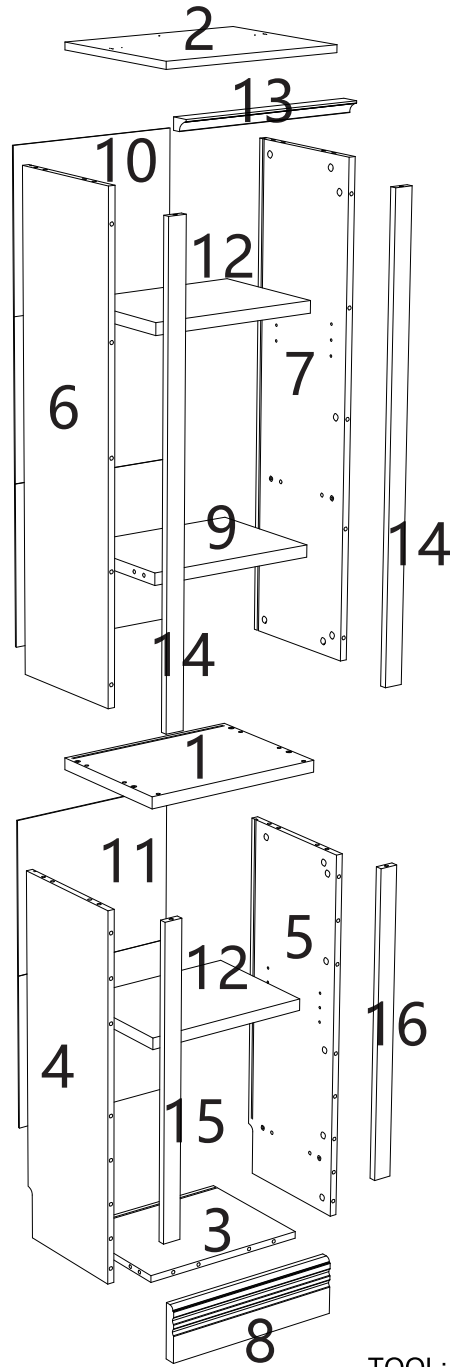
⑮ x1



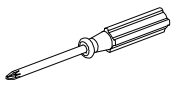
⑯ x1



PACKAGE CONTENTS



TOOL: Phillips screwdriver required.

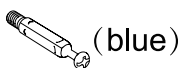


HARDWARE

A x 38pcs
(+2pcs)



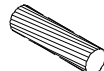
B x 20pcs
(+2pcs)



C x 18pcs
(+1pcs)



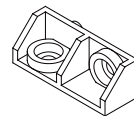
D x 38pcs
(+2pcs)



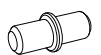
E x 4pcs
(+1pcs)



F x 2pcs



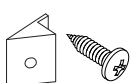
G x 8pcs
(+1pcs)



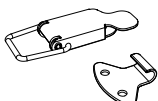
H x 30pcs
(+2pcs)



I x 14pcs
(+2pcs)



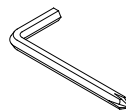
J x 1pcs



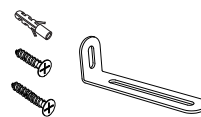
K x 4pcs



L x 1pcs



M x 1pcs



N x 4pcs
(+1pcs)



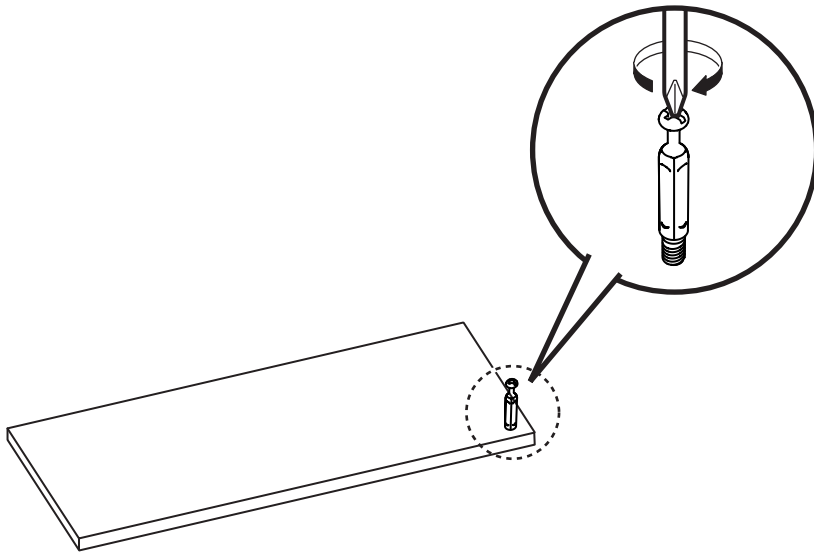
*NOTE: Spare hardware included.

CAUTION: Do not use power screwdriver.

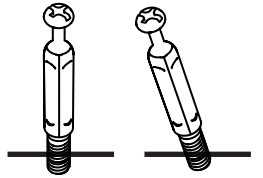
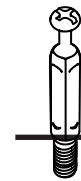


How to use 3-in-1 Eccentric Hardware Wheels

1

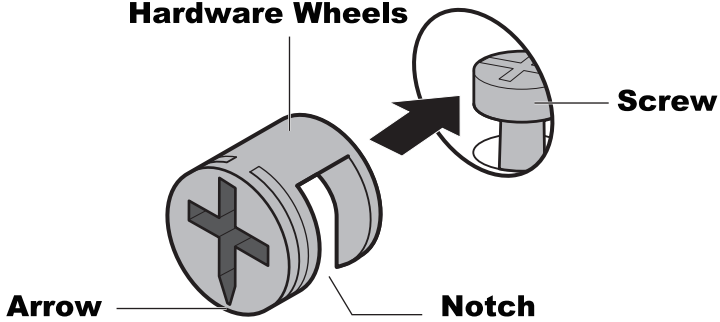


Screw it tighten, without any gaps

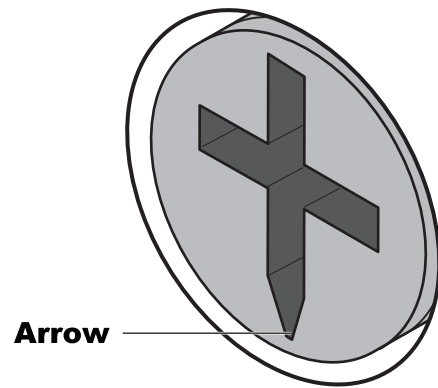


2

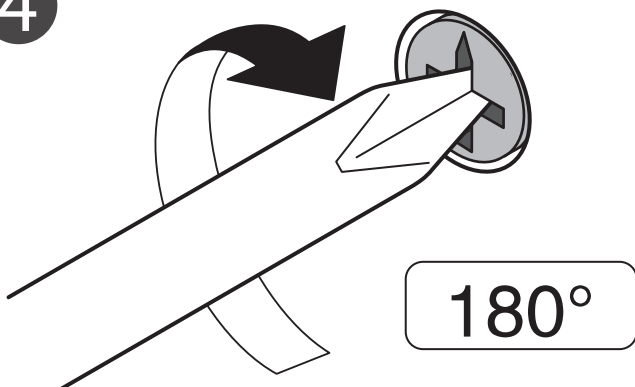
Eccentric Hardware Wheels



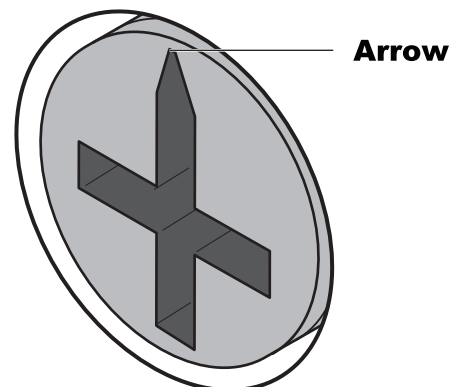
3



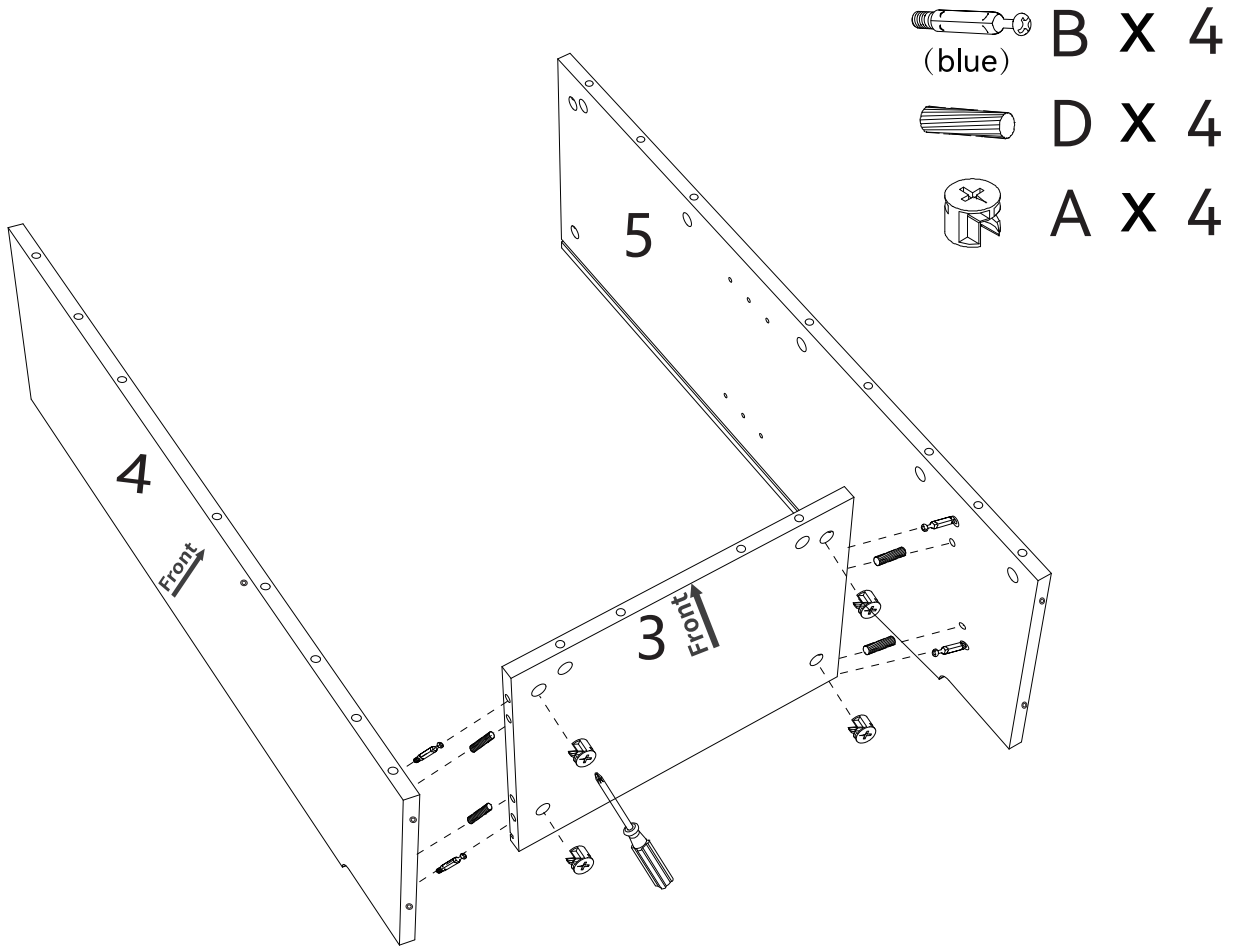
4



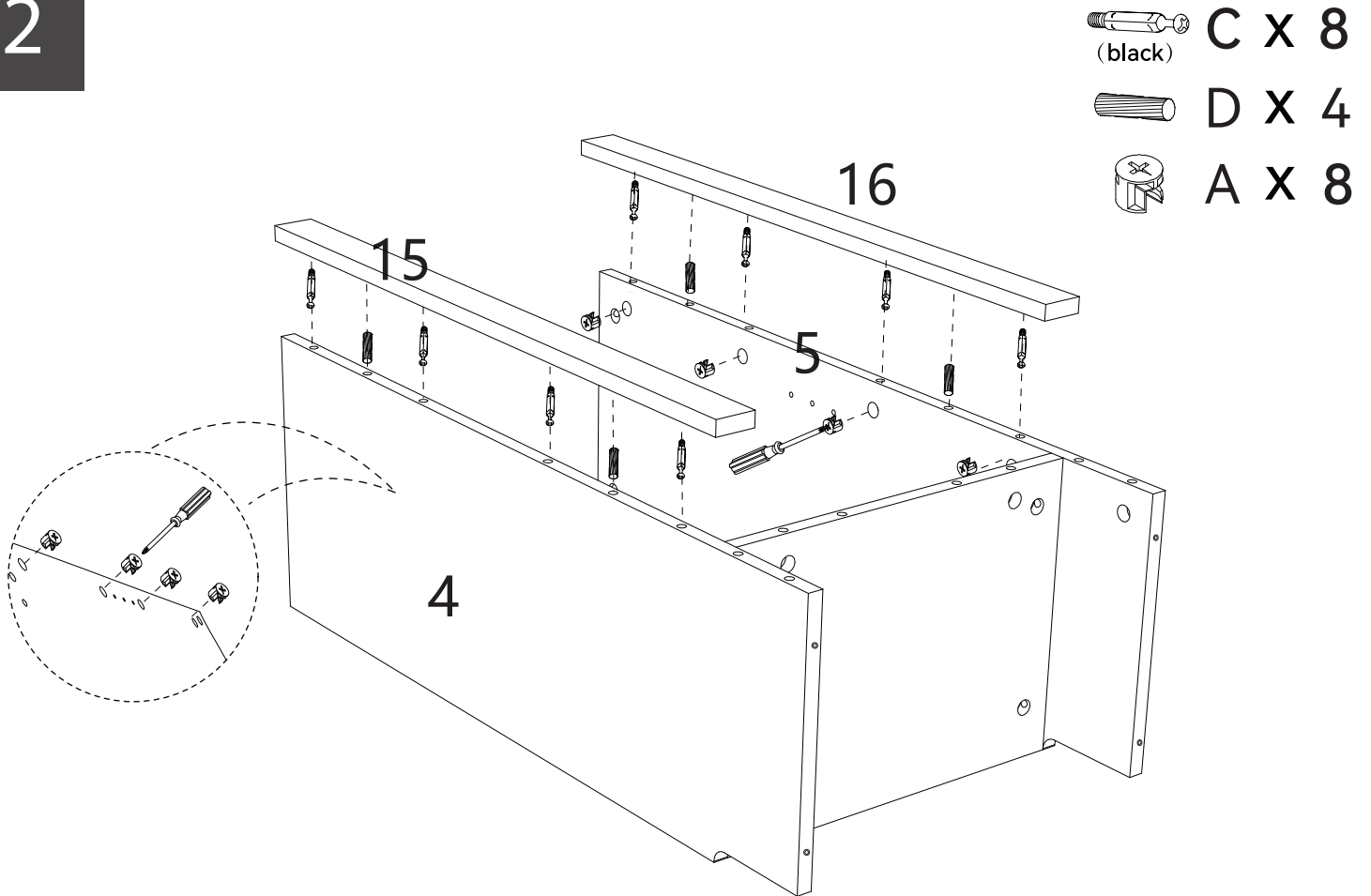
5



1



2




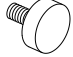


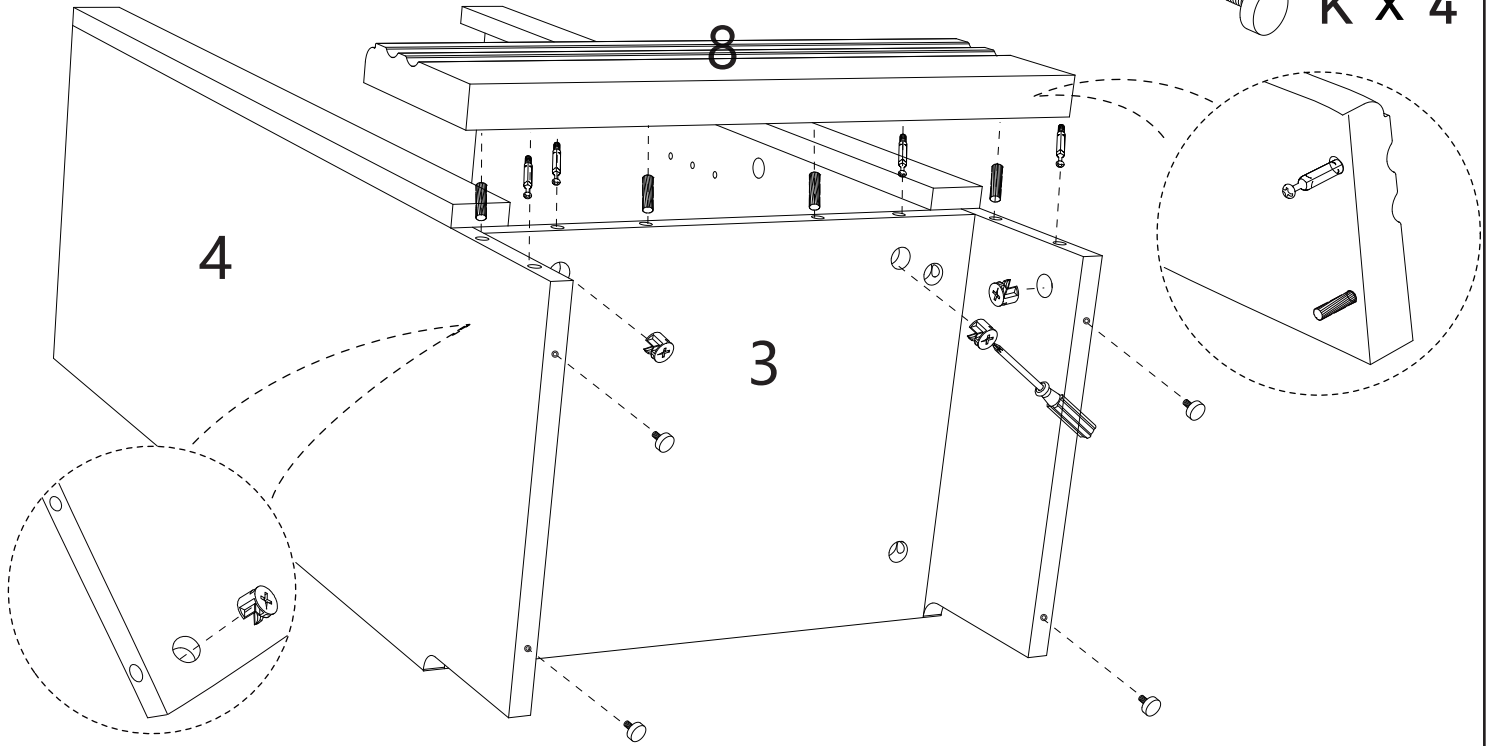
4

CAUTION: Do not use power screwdriver.

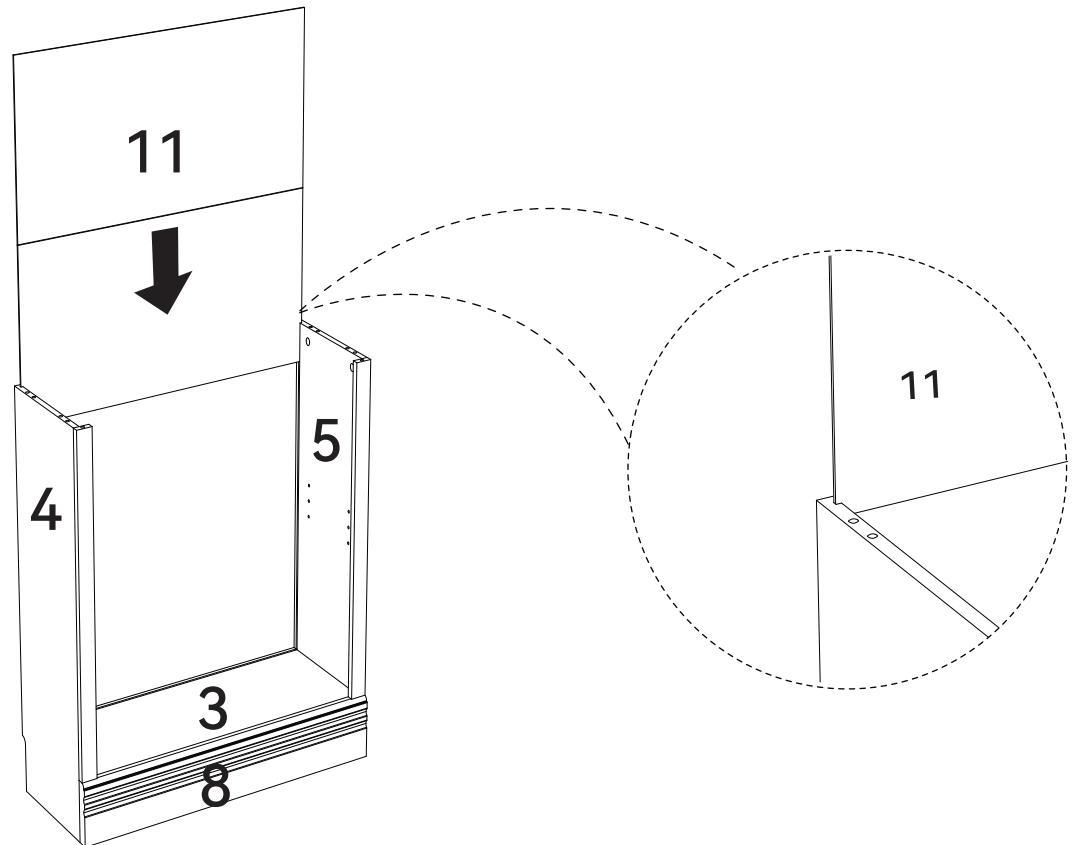


3

-  C X 4
(black)
-  D X 4
-  A X 4
-  K X 4



4

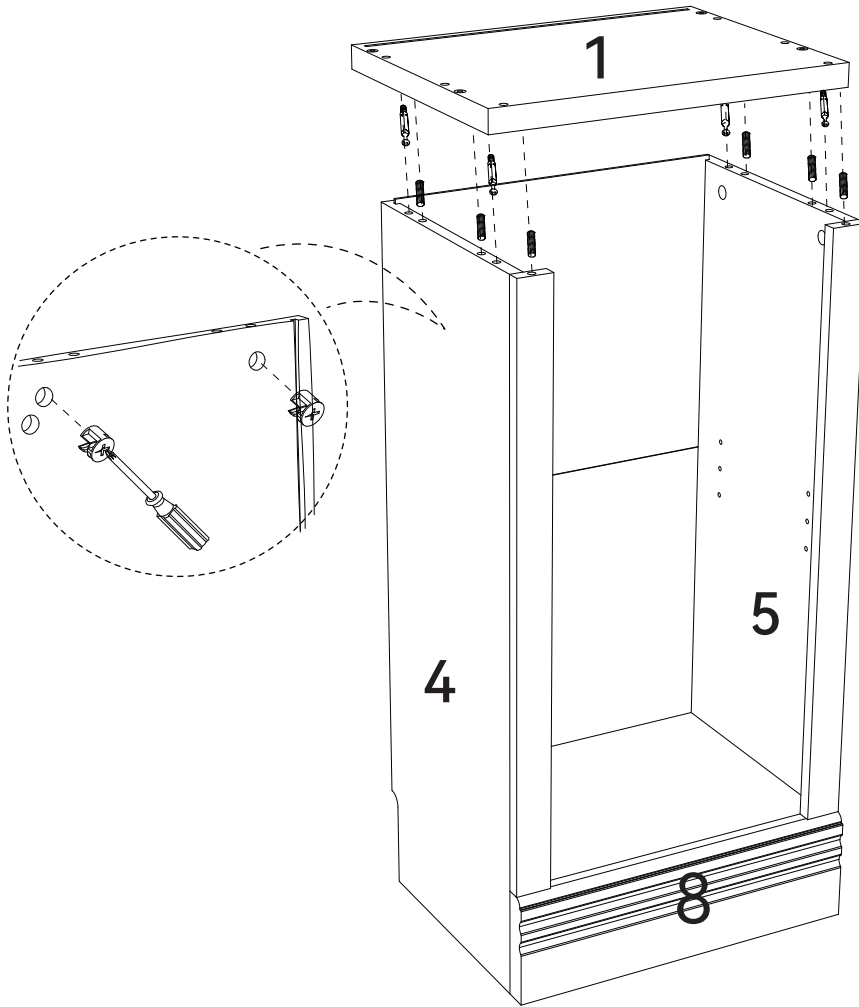





5

CAUTION: Do not use power screwdriver.

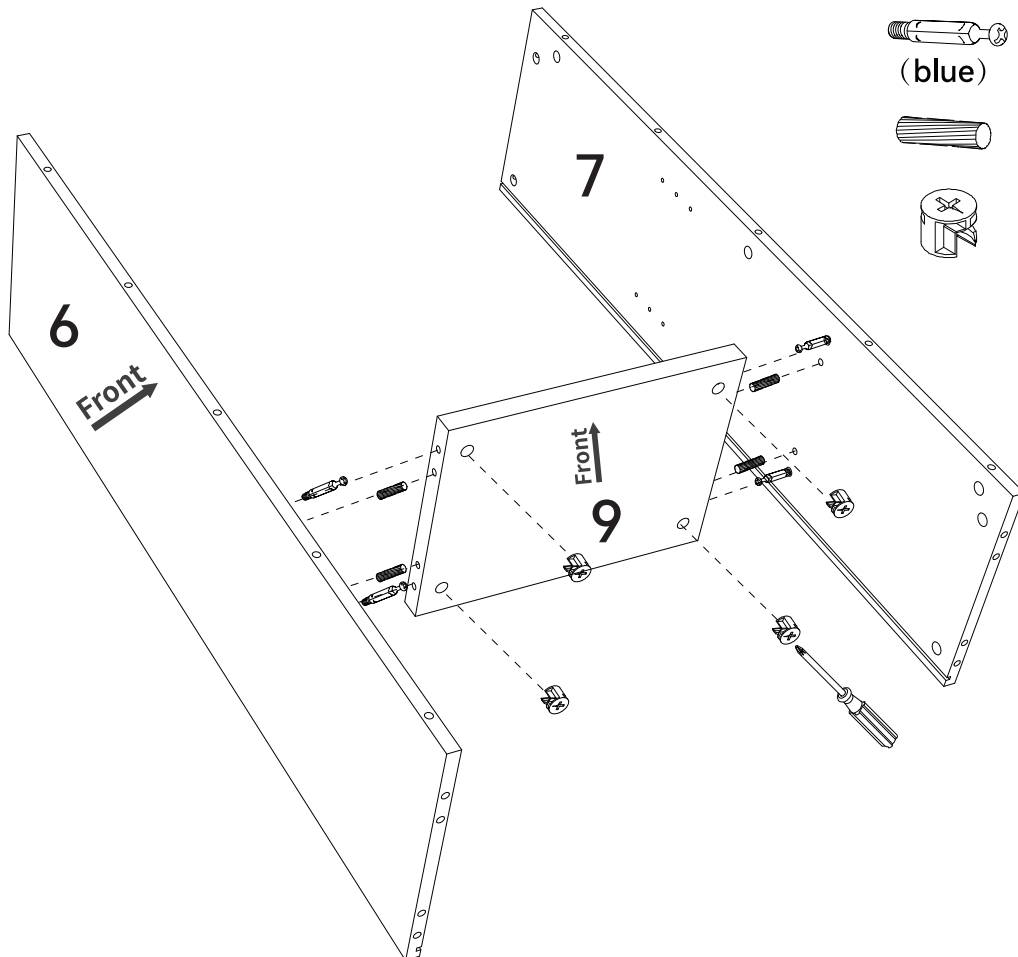





5



-  B X 4
(blue)
-  D X 6
-  A X 4

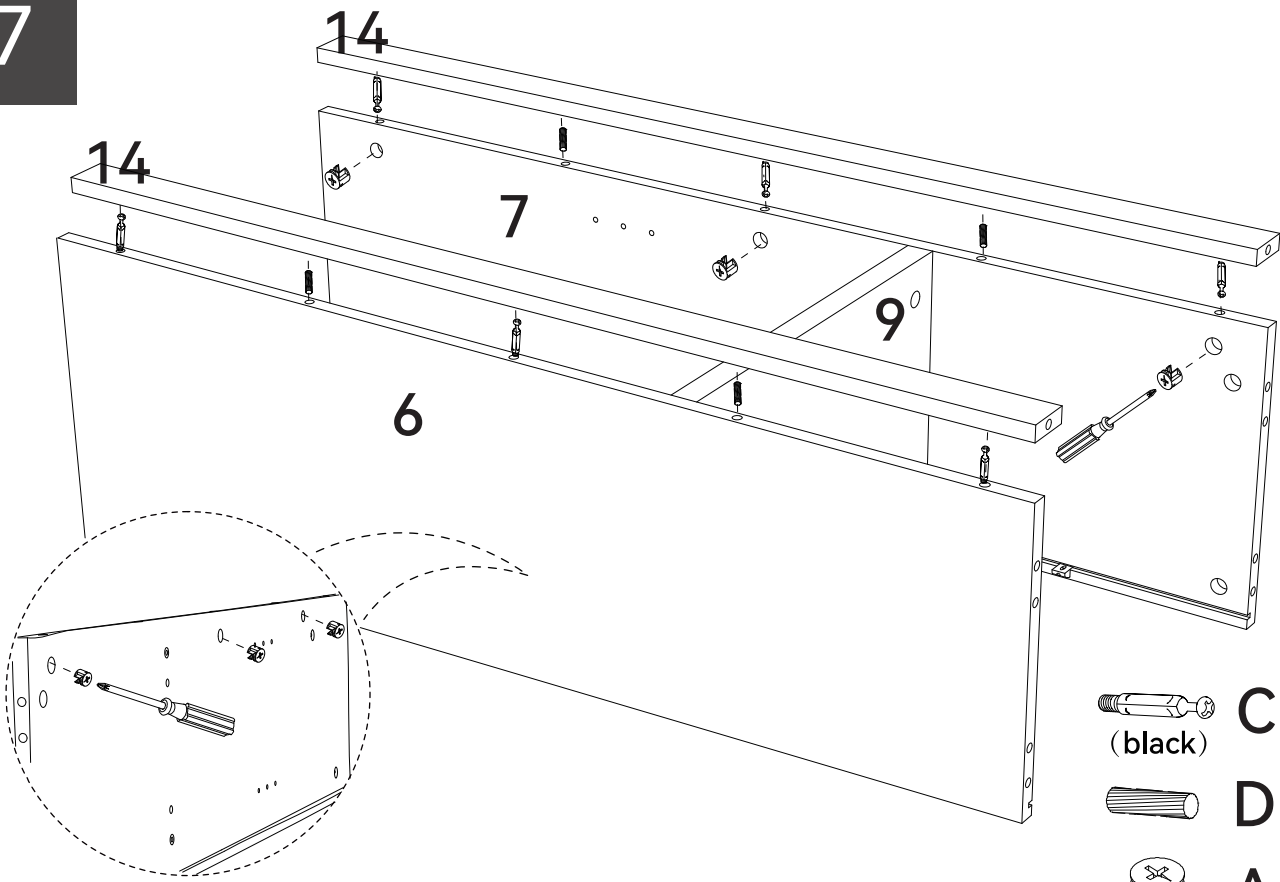
6






-  B X 4
(blue)
-  D X 4
-  A X 4

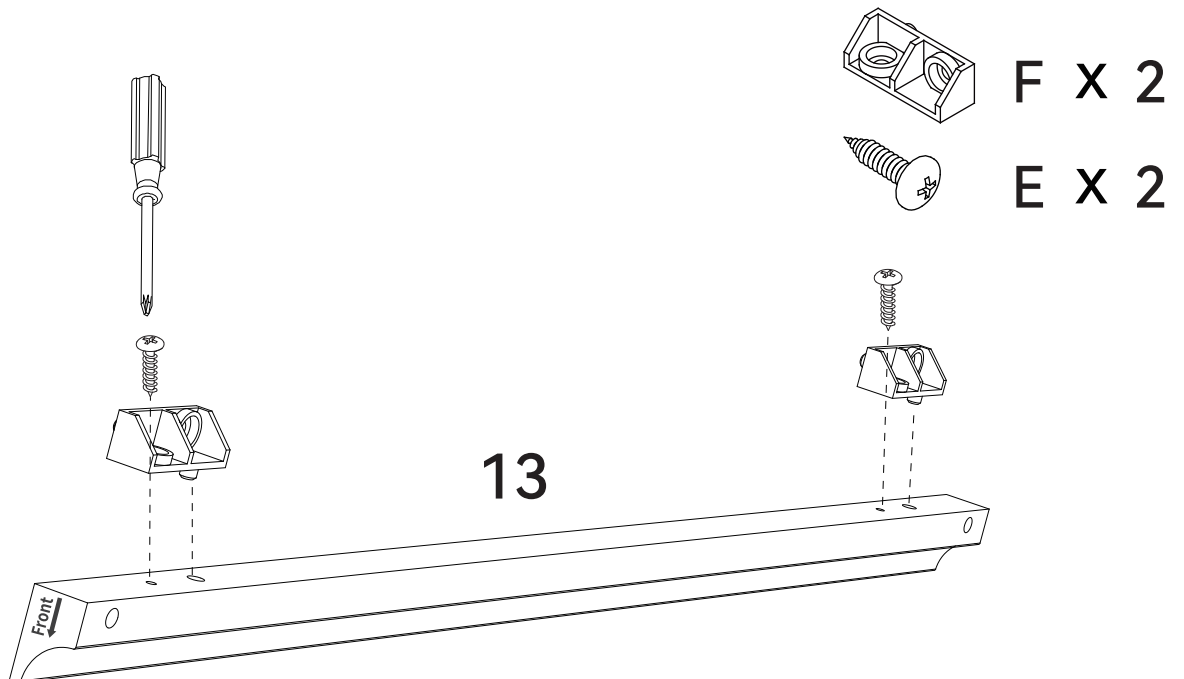


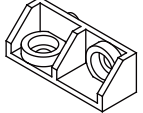
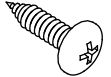
7



-  C X 6
(black)
-  D X 4
-  A X 6

8

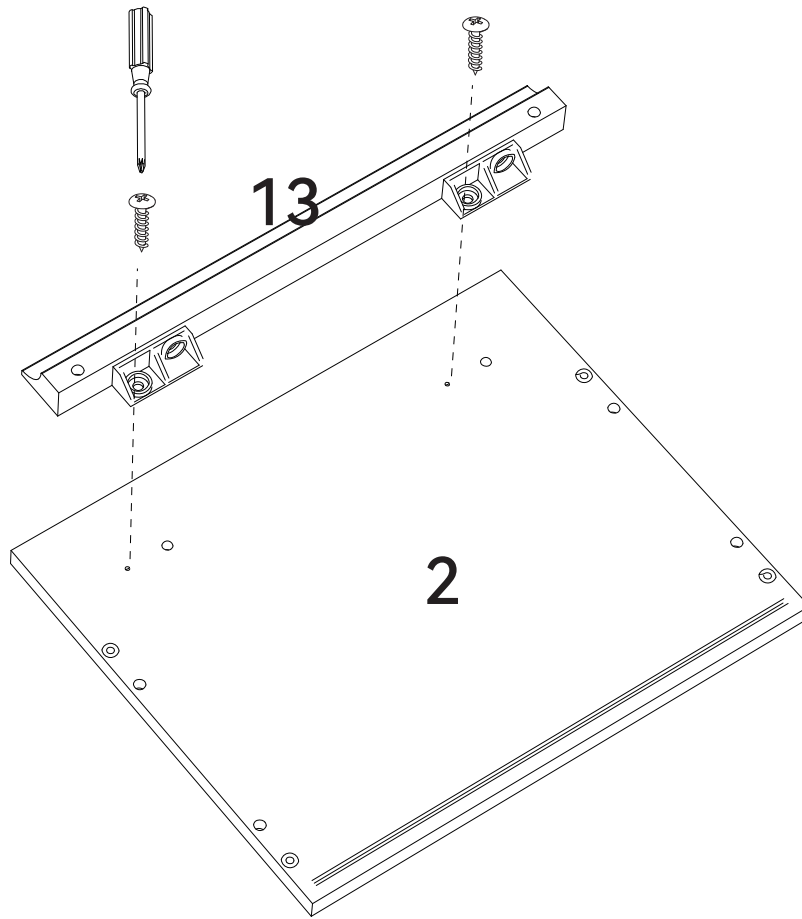


-  F X 2
-  E X 2

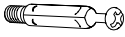



9


 E X 2

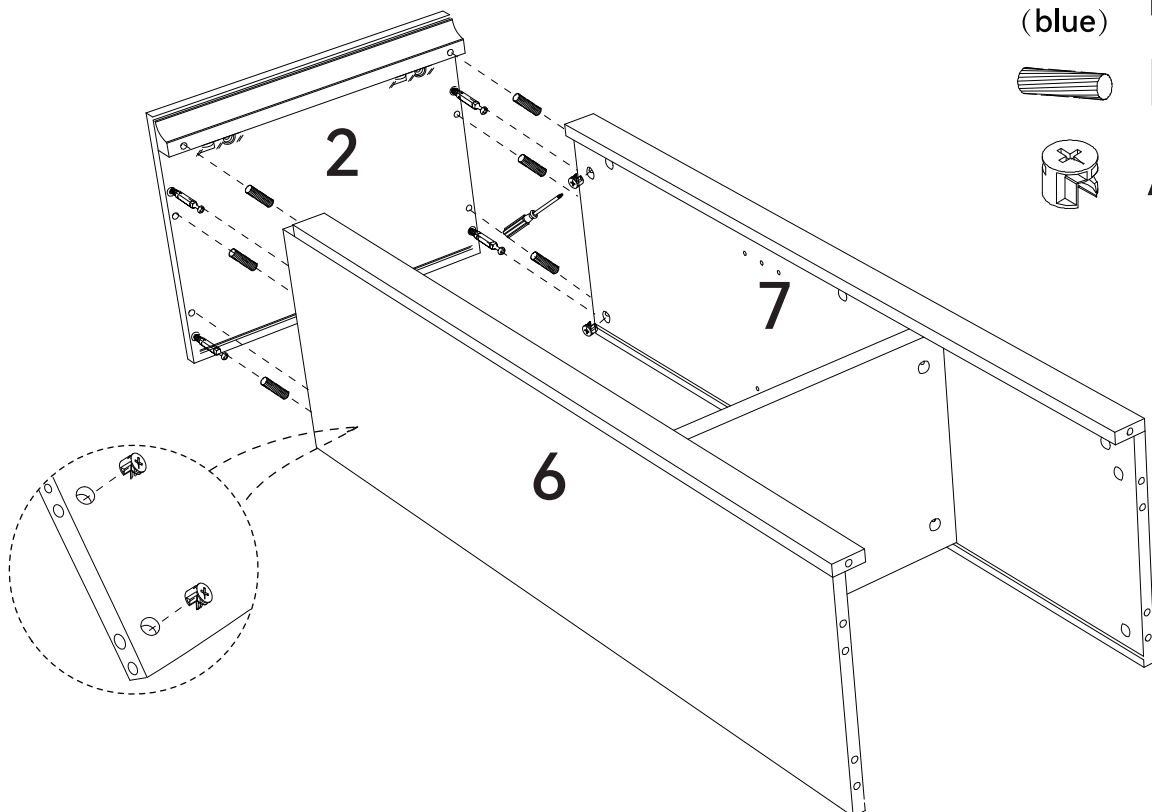


10

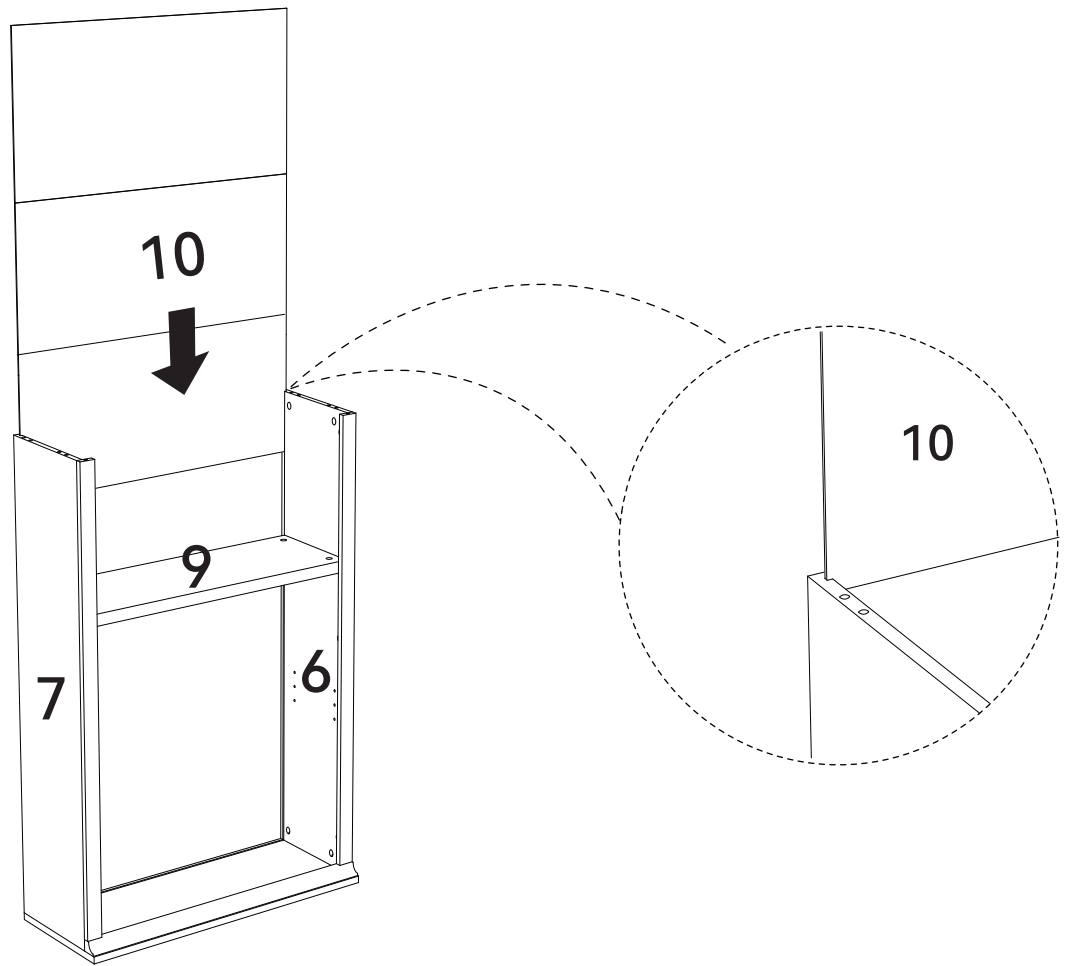
 B X 4
(blue)

 D X 6

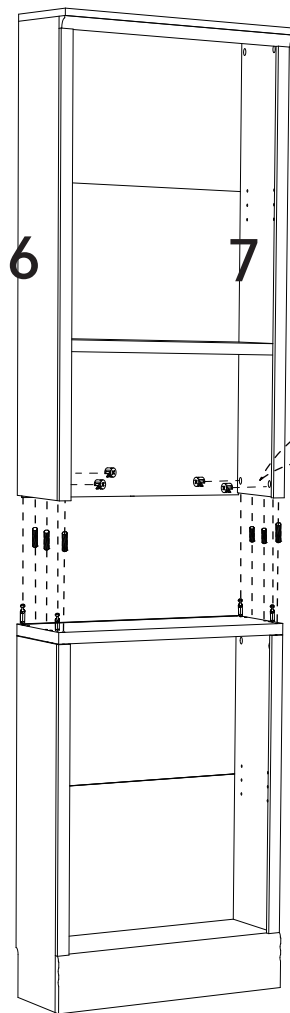
 A X 4






11



12



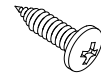
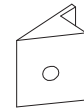
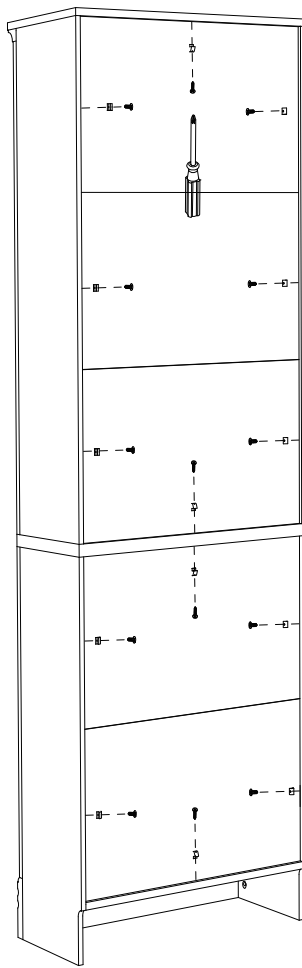
-  **B X 4**
(blue)
-  **D X 6**
-  **A X 4**

9

CAUTION: Do not use power screwdriver.



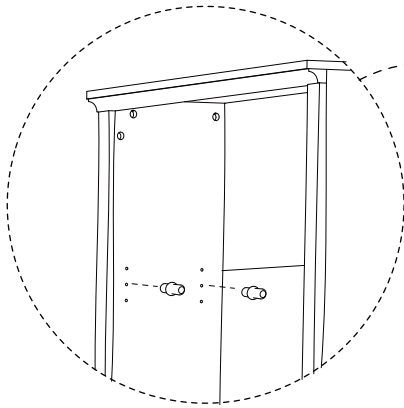
13



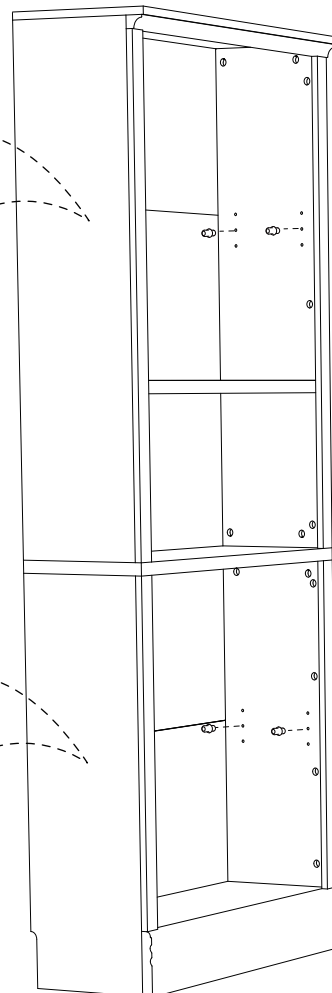
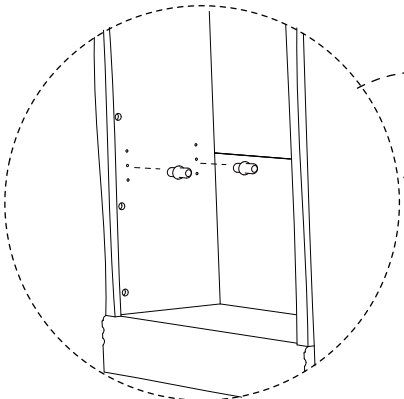
I X 14

14

3 Levels Adjustable



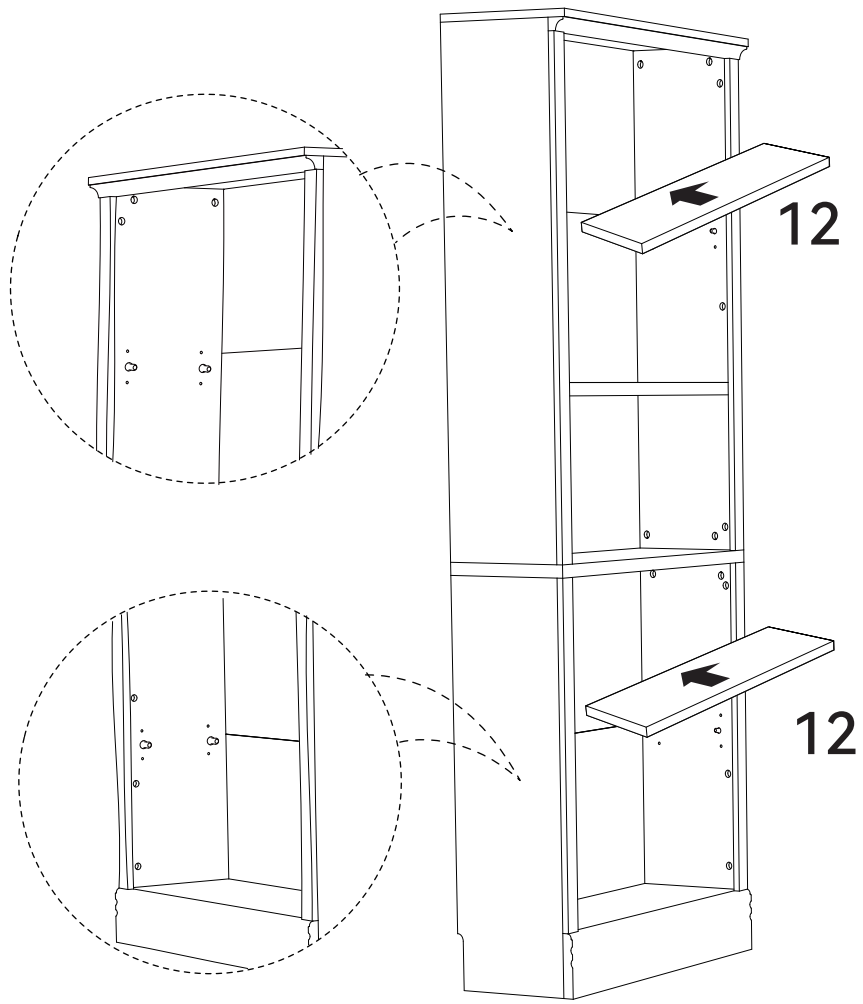
3 Levels Adjustable



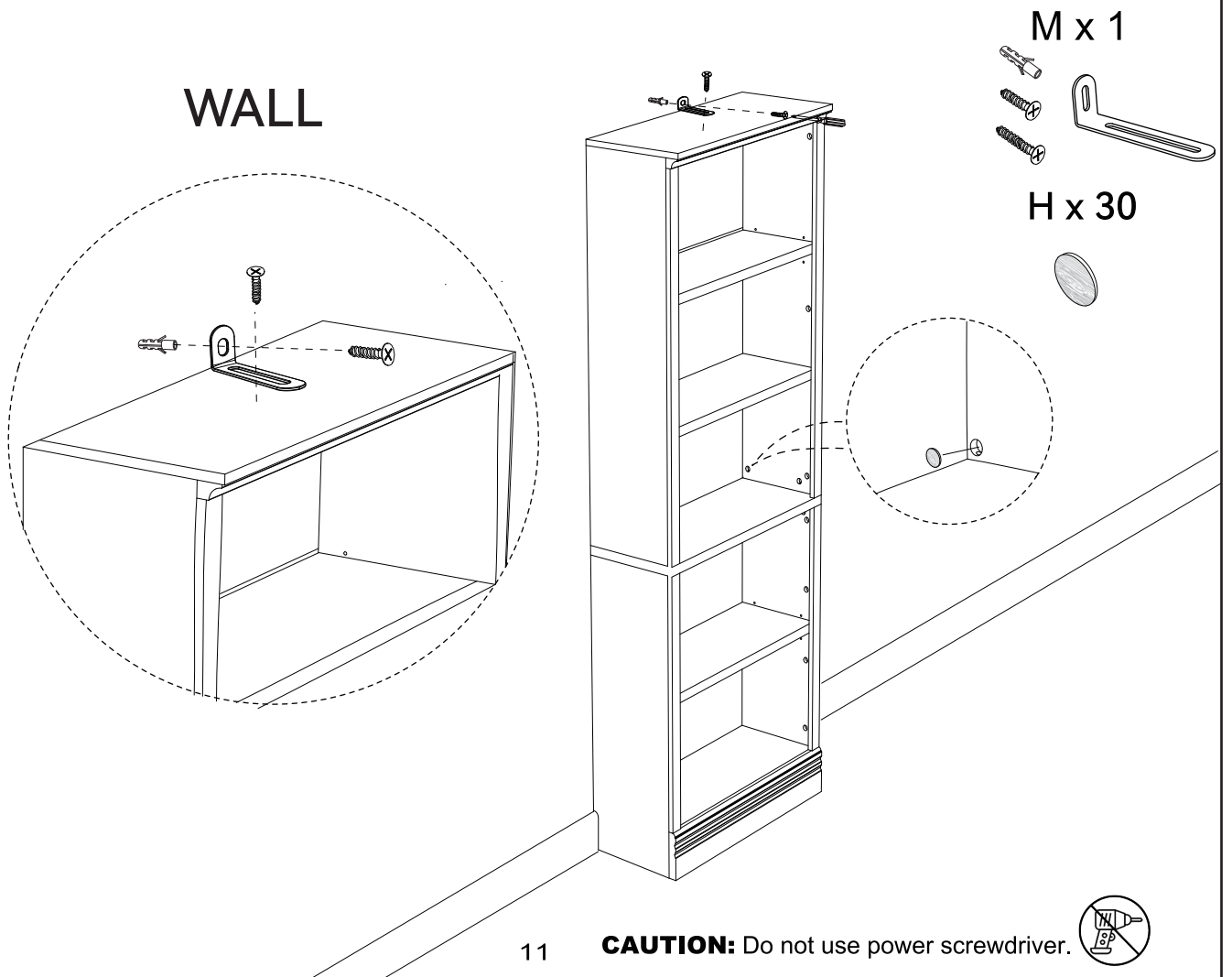
G X 8



15

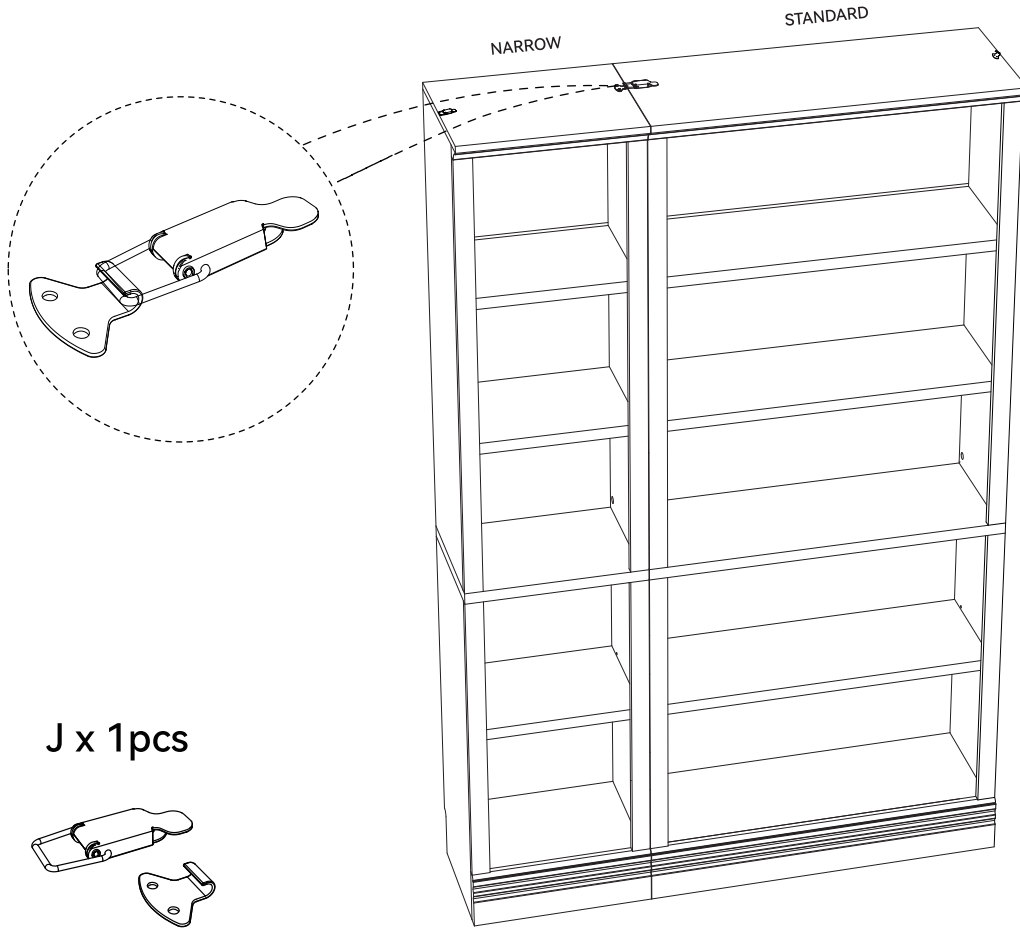


16

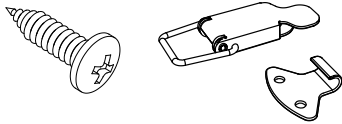


17

ATTACHING THE BOOKCASES



N x 4pcs J x 1pcs



18

STYLE YOUR HOME WITH OUR MODULAR BOOKCASE COLLECTION

MIX & MATCH STYLES & COLORS
CREAM • BLACK • OAK

