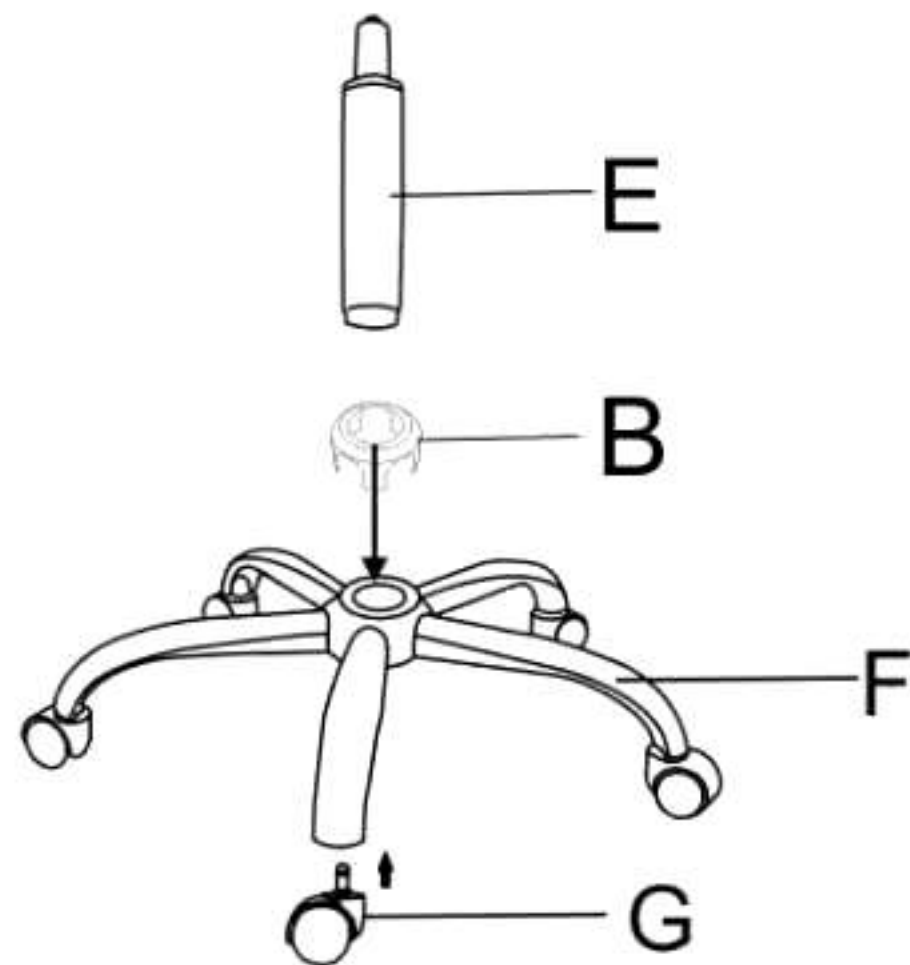


ASSEMBLY INSTRUCTION

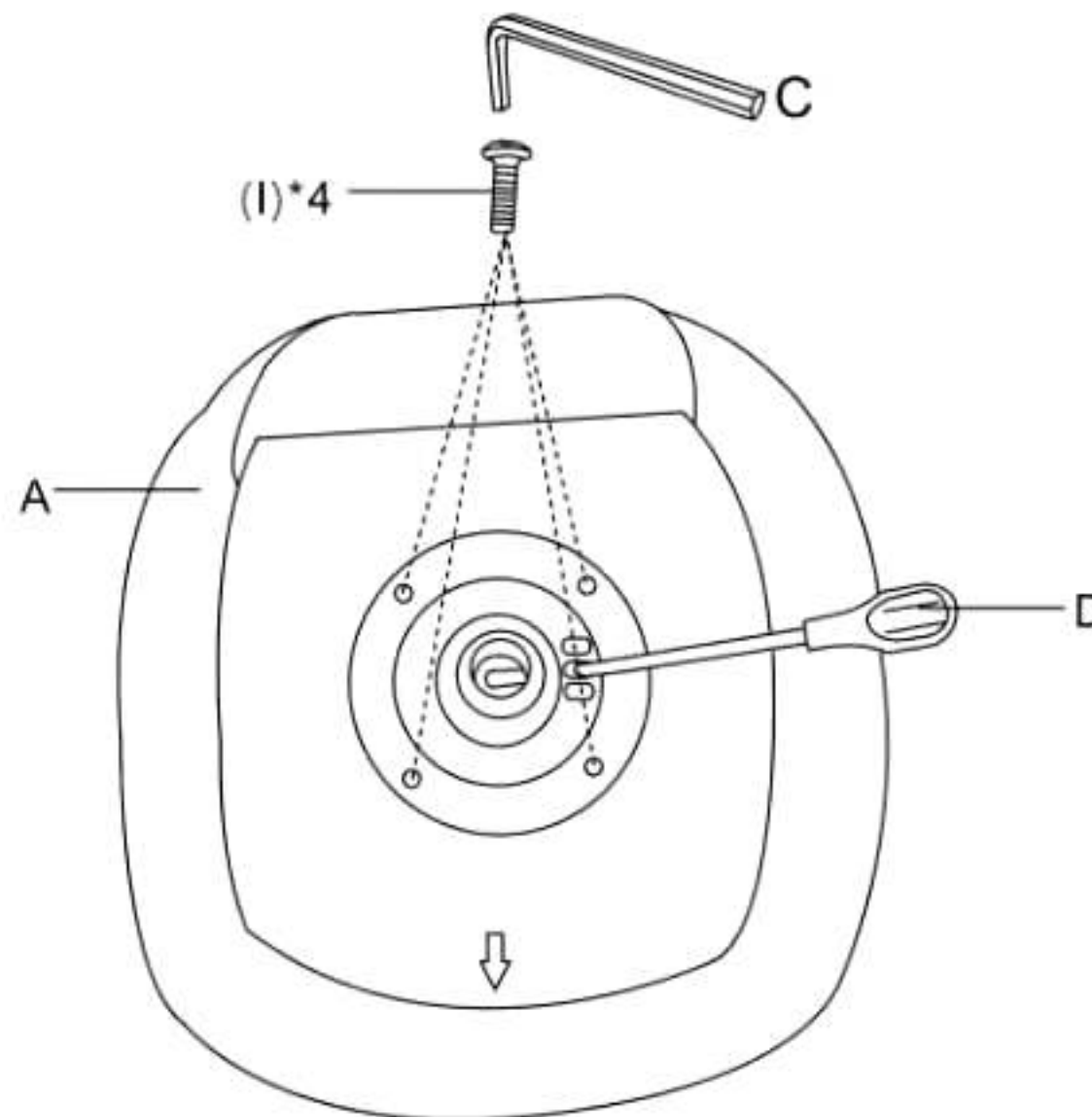
▽ PARTSxQTY

▽ ASSEMBLY PROGRAM

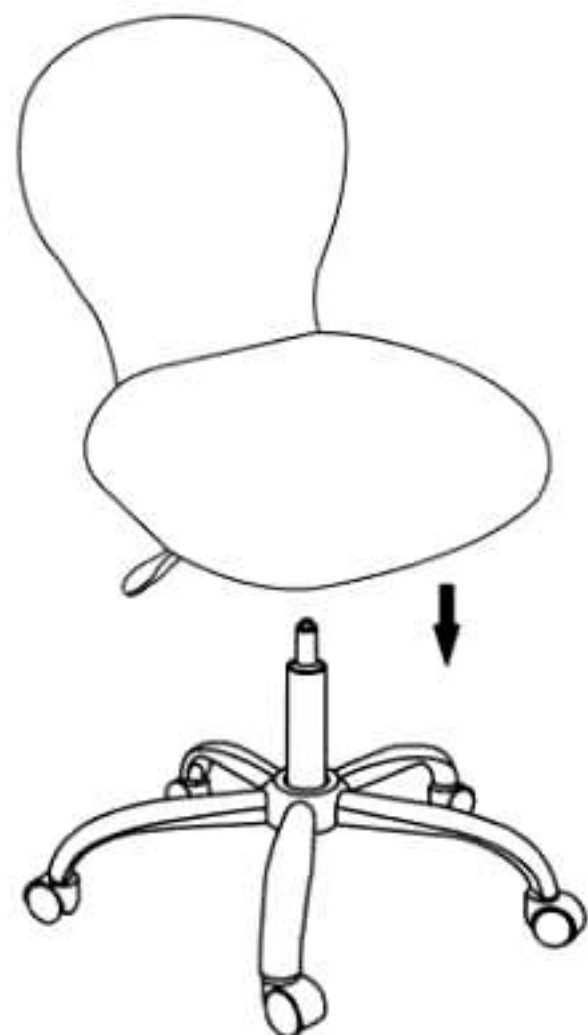
①



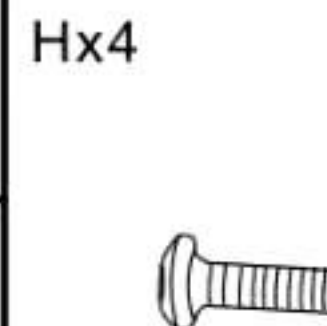
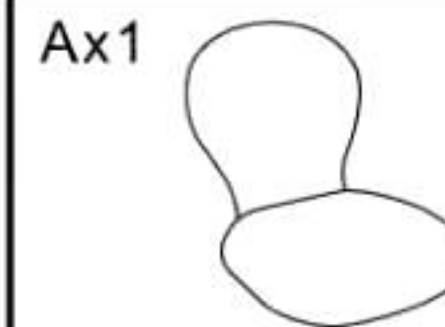
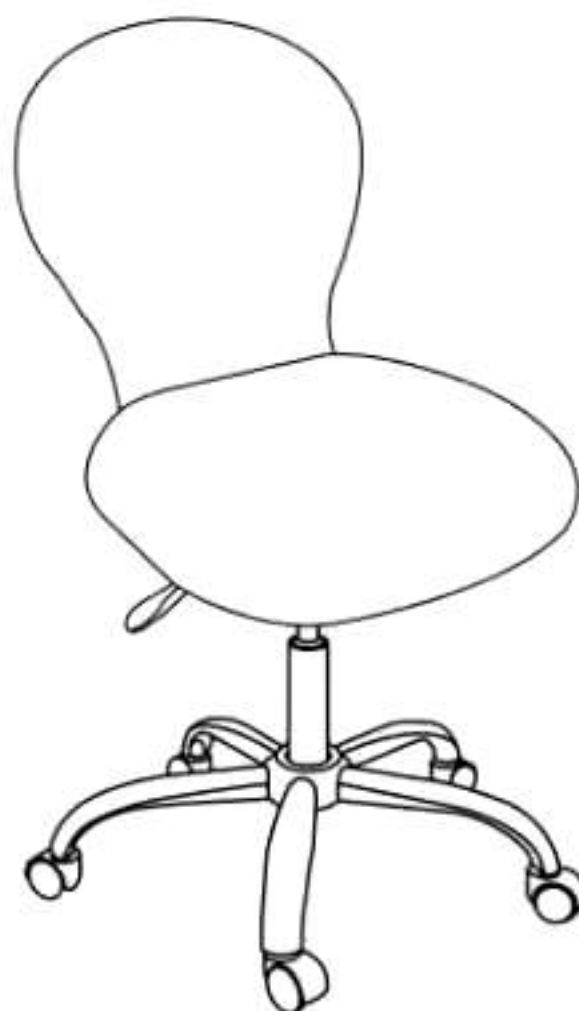
①



③



④



M6x18mm

