


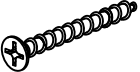

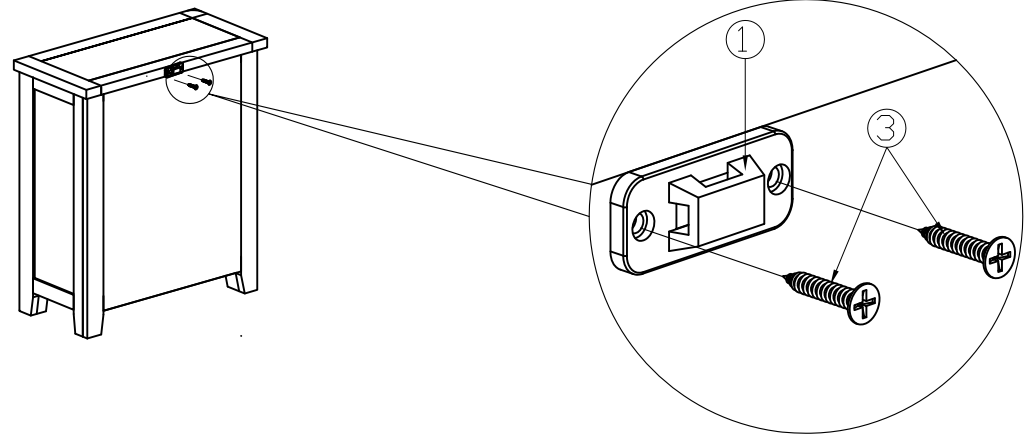


# ASSEMBLY INSTRUCTION

| NO | Name of Hardware                                                                                        | Q.ty |
|----|---------------------------------------------------------------------------------------------------------|------|
| ①  |  Bracket               | 2PCS |
| ②  |  Nylon strip           | 1PC  |
| ③  |  Screw M4 x 20         | 2PCS |
| ④  |  Screw M4 x 35         | 2PCS |
| ⑤  |  Wall plug<br>Ø4 x L40 | 2PCS |

## Step 1



## Step 2

