



Best Master Furniture™
The Imported Furniture Specialist

ASSEMBLY INSTRUCTIONS

MODEL # _____

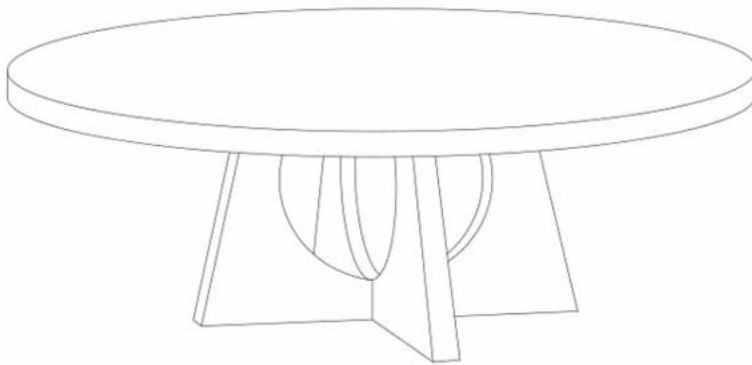
**SIENNA COFFEE
TABLE**

Hours of Operation
MON-FRI 8:00AM - 4:00PM (PT)

TOOLS REQUIRED



Allen Wrench
(Included)

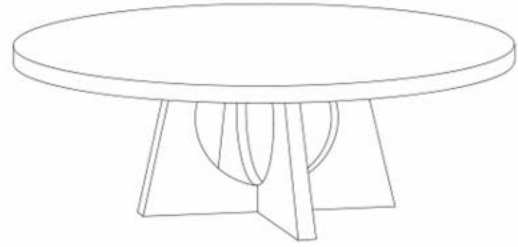


This item requires
two adult to assemble it

Enjoy this product? We'd love your 5-star review!
If you have any issues, our support team is happy to help.



Best Master Furniture™
The Imported Furniture Specialist



Thank you for your purchase!

CONTACT US:



Monday - Friday
8:00AM - 4:00PM PT



Email
inquiries@bestmasterfurnitures.com



Website
www.bestmasterfurnitures.com



CHECK BEFORE STARTING

Are you missing anything?

Please double check all hardware and parts match the assembly guide before putting the product together. If damaged, we suggest you put the item back in the box and start your claim or return.

Should we send any replacements?

If there are any manufacturer defects or missing pieces, please contact us for replacements. If purchased online, please contact the website of where you purchase it from, DIRECTLY.

IMPORTANT INFO before assembly:

- If there's a problem with the parts do not attempt to assemble the product.
- Place all parts on a clean and smooth surface such as a rug / carpet to avoid parts from being scratched.
- When tightening screws to product do not overtighten until product is fully setup.
- If product is too heavy for a single person to carry, do ask for assistance.
- DO NOT DRAG or PUSH item to desired location. Must be carried when moving.
- If item is not working as intended, please review the assembly guide to see if any steps were missed or incorrectly built. If there's a problem with part, please contact seller for additional assistance.
- Please keep all hardware and small parts away from pets / infants.
- Please wear gloves or protective gear to protect from getting cuts.
- It is normal for new furniture to have an off gassing smell. Please air out furniture near a window for a few hours or a day before placing it in its desired location.
- All products may have a slight color and texture variation due to different shipments, natural materials, screen resolutions, or lighting in home. Images are rendered by different devices or websites.



Best Master Furniture™
The Imported Furniture Specialist

- Please keep instructions for future reference.
- Check the quantity and irregularity of parts and hardware before you start.
- If assembly guide is misplaced, please visit our website for copy

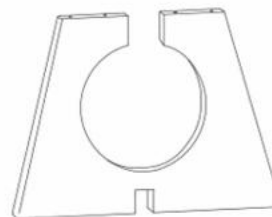


SIENNA COFFEE TABLE

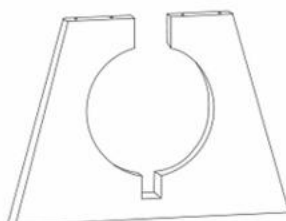
Part List



P1
TABLE TOP
1 pc



P2
TABLE LEG
1 pc



P3
TABLE LEG
1 pc



P4
MOUNTING PANEL
1 pc

Hardware List



H1
JCBC Bolt
M6 x 35mm
12 pcs



H2
Spring Washer
M6 x 12mm
12 pcs



H3
Flat Washer
M7x 19mm
4 pcs



H4
Allen Wrench
1 pc



H5
Adjustable leg glide
4 pcs

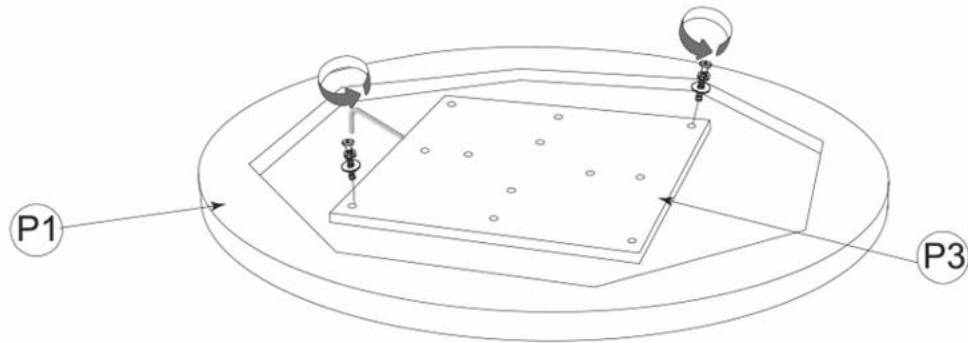
If any parts/hardware listed are damaged or missing,
Please contact the seller for additional assistance

ASSEMBLY STEPS

STEP 1

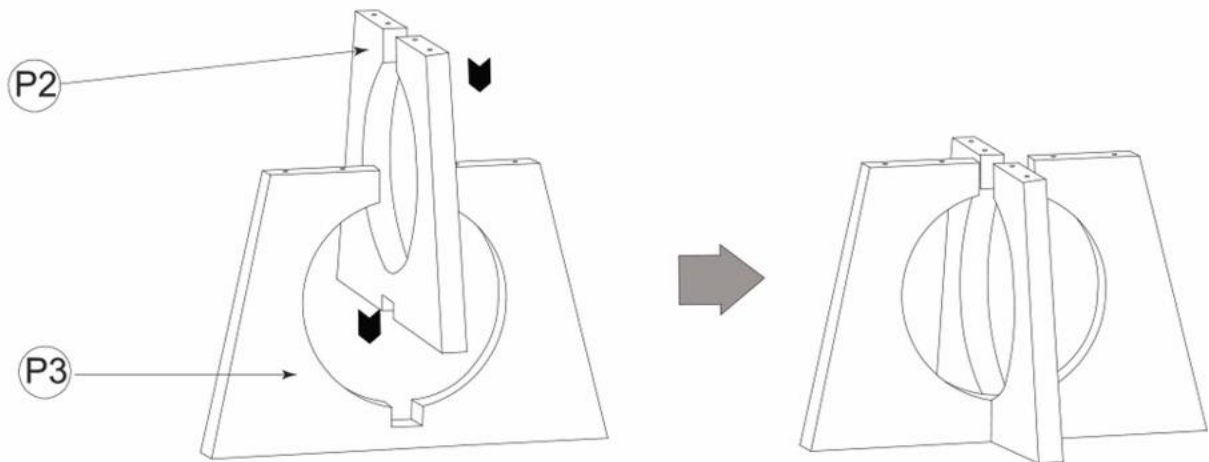
IMPORTANT : Detach the Mounting Panel (P3) from Table Top (P1) before assemble the table.

REMARK : PLEASE KEEP THE HARDWARE FOR THE NEXT STEP ASSEMBLY



STEP 2

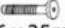

Assemble the Pedestal Legs.

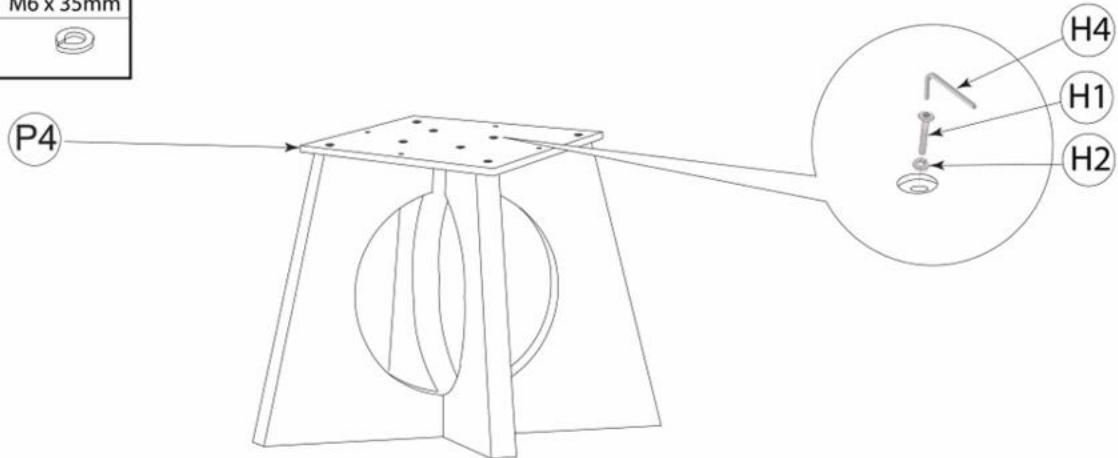


ASSEMBLY STEPS




STEP 3

Attach the Mounting Panel (P4) to the pedestal legs, next, align the Bolt (H1) together with Spring washer (H2). Tighten all the bolts using Allen key (H4).

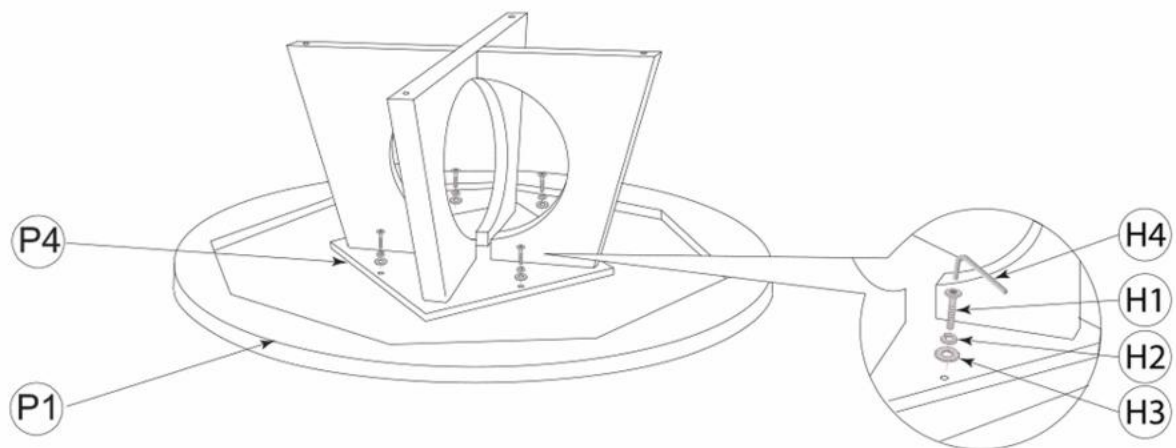
H1 x 8	 M6 x 35mm
H2 x 8	



STEP 4

H1 x 4	 M6 x 35mm
H2 x 4	
H3 x 4	

With the help of two adults, carefully turn the Table leg upside-down. Next, attach the table leg to the Table top (P1). Align the holes in the Mounting Panel (P4) with the holes in the Table top. Secure them by aligning the Bolt (H1) that fitted with Spring washer (H2) and Flat washer (H3). Tighten the bolts using the Allen key (H4).





Best Master Furniture™
The Imported Furniture Specialist

IMPORTANT!

Please keep Allen wrench in a safe place as you may need to tighten up the Bolts in future.

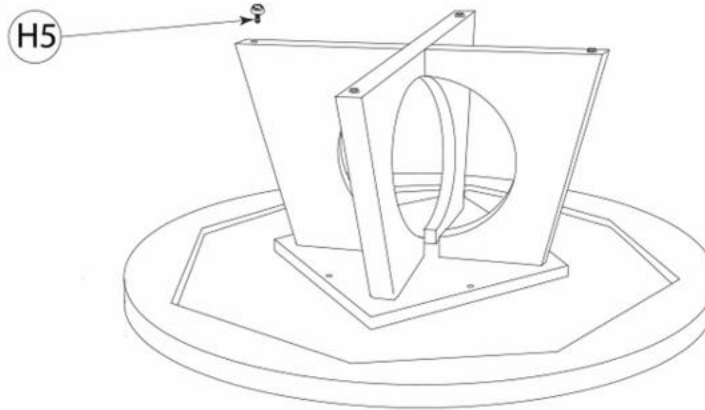
Use a soft cloth between these parts and the floor.

After assembly, item must be leveled to work properly.

ASSEMBLY STEPS

STEP 5

H5 x 4

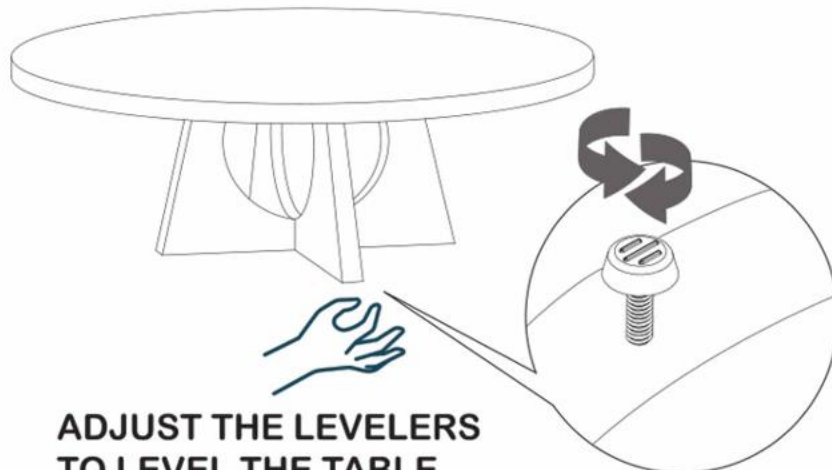


CAUTION !

AFTER FINISHED ASSEMBLY, CAREFULLY TURN THE TABLE UPRIGHT WITH THE HELP OF TWO OR MORE ADULTS

ASSEMBLY COMPLETED

- ✓ Please ensure the furniture rests on an even and flat surface. If the product wobbles or feels loose, double-check all bolts and/or screws are properly tightened and secured.
- ✓ **Keep this handy!** Please retain this instruction manual and any order-related information for future reference.
- ✓ **Lift, don't drag!** To avoid damage to product, please always LIFT the product when transporting or adjusting the placement.



This product is intended for RESIDENTIAL USE ONLY and not for commercial use.