

artos[®]

F403-1

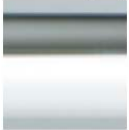
INSTALLATION GUIDE

shower rainhead wall mount
squ

BRUSHED NICKEL(BN)



CHROME(CH)



BLACK(BK)



artos[®]

F403-1

OPERATING SPECIFICATIONS

shower rainhead wall mount
squ



FEATURES

Rain Flow
Easy Clean Rubber Nozzles

OPERATING PRESSURE

Minimum: 15 psi
Maximum: 75 psi
Above 90psi, pressure reducer may be necessary

OPERATING TEMPERATURE

Maximum: 176°

FLOW RATE

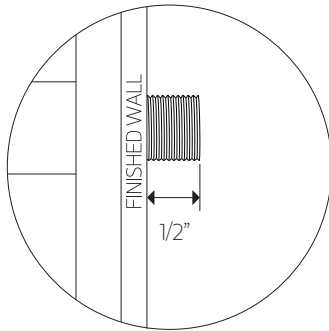
2.0 USGPM

artos[®]

F403-1

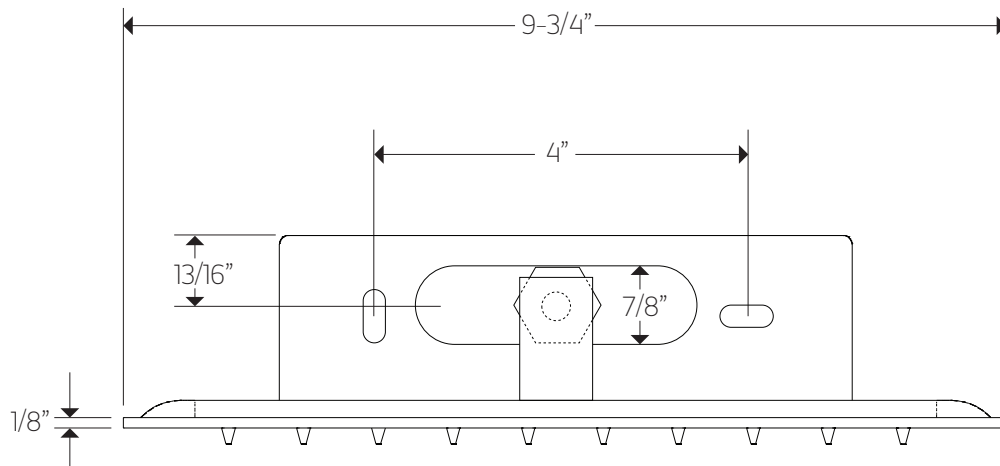
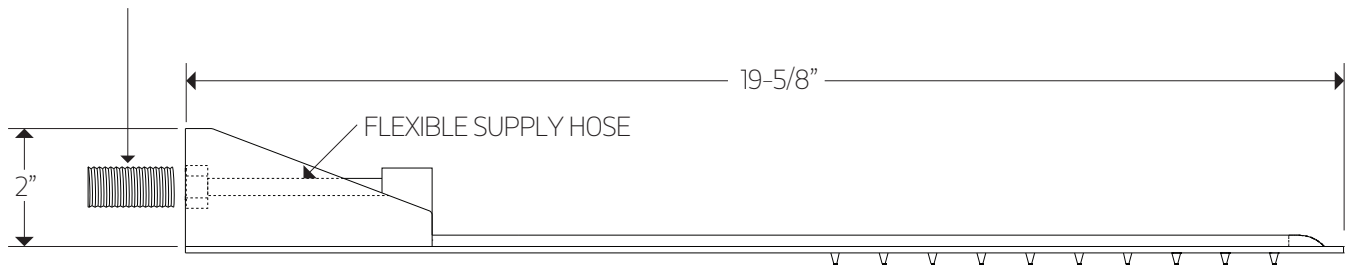
PRODUCT DIMENSIONS

shower rainhead wall mount
squ



MALE NPT CONNECTOR

[THREADS INTO FEMALE FITTING, SET AT 1/2" PAST FINISHED WALL SURFACE]

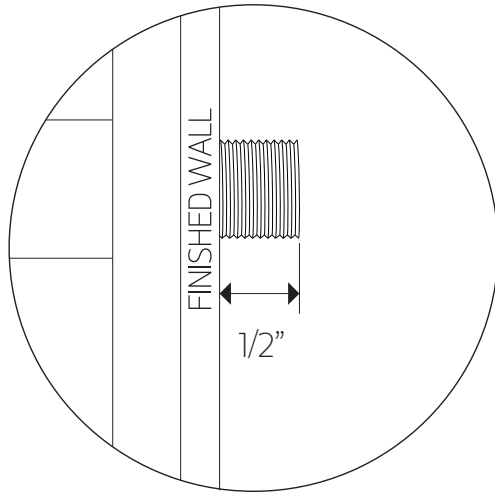


artos[®]

F403-1

shower rainhead wall mount
squ

IMPORTANT PLEASE USE PROVIDED MALE CONNECTOR

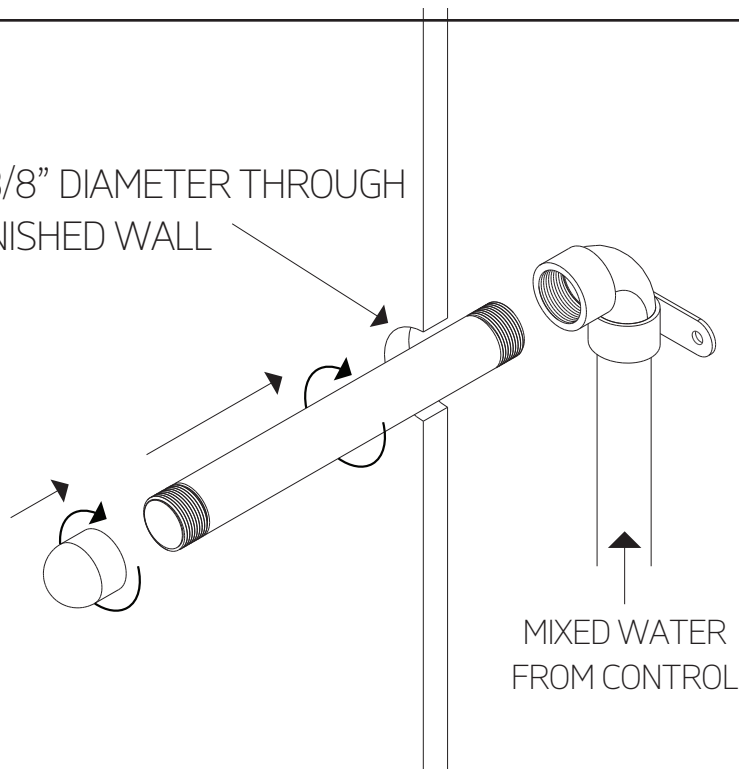


MALE NPT CONNECTOR

[THREADS INTO FEMALE FITTING, SET AT 1/2" PAST FINISHED WALL SURFACE]

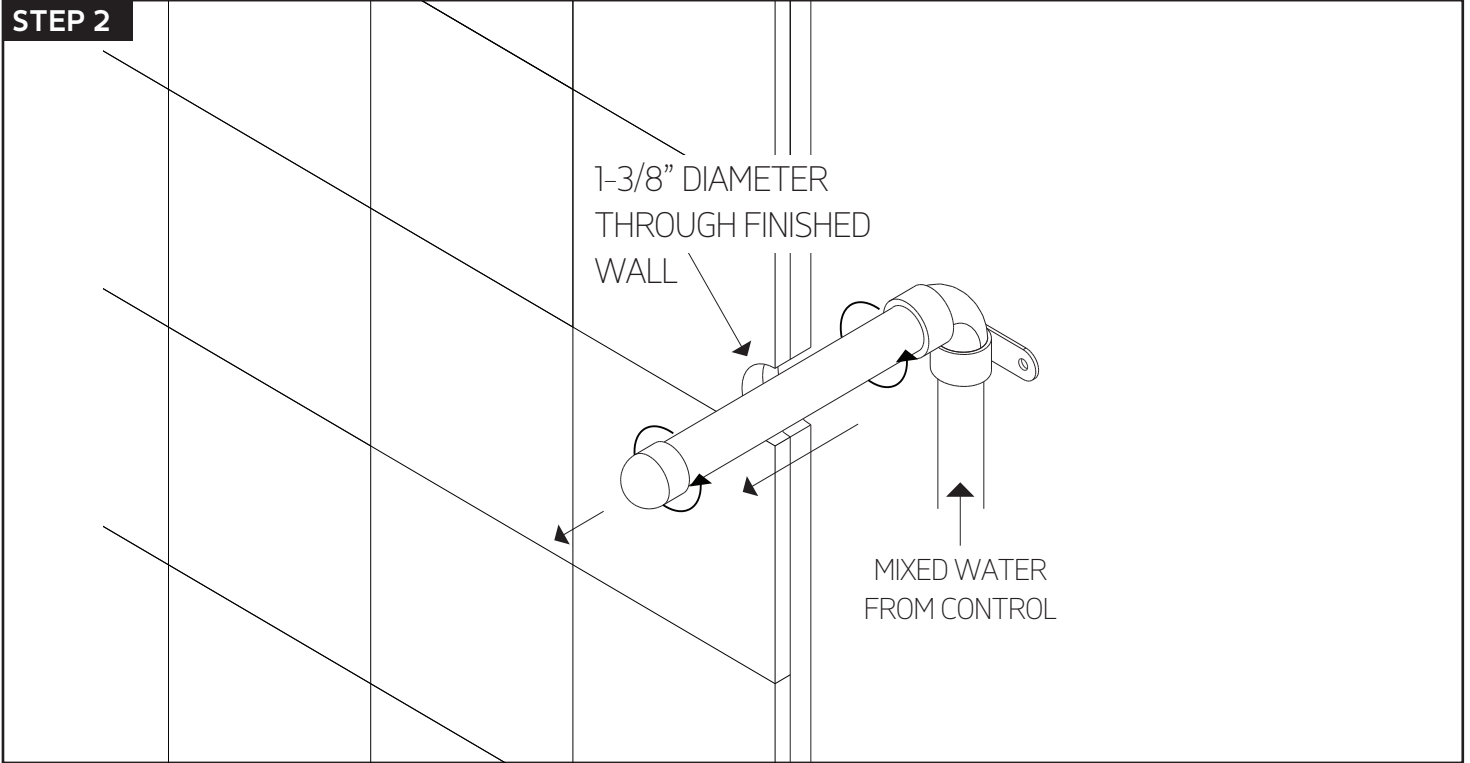
STEP 1

1-3/8" DIAMETER THROUGH
FINISHED WALL

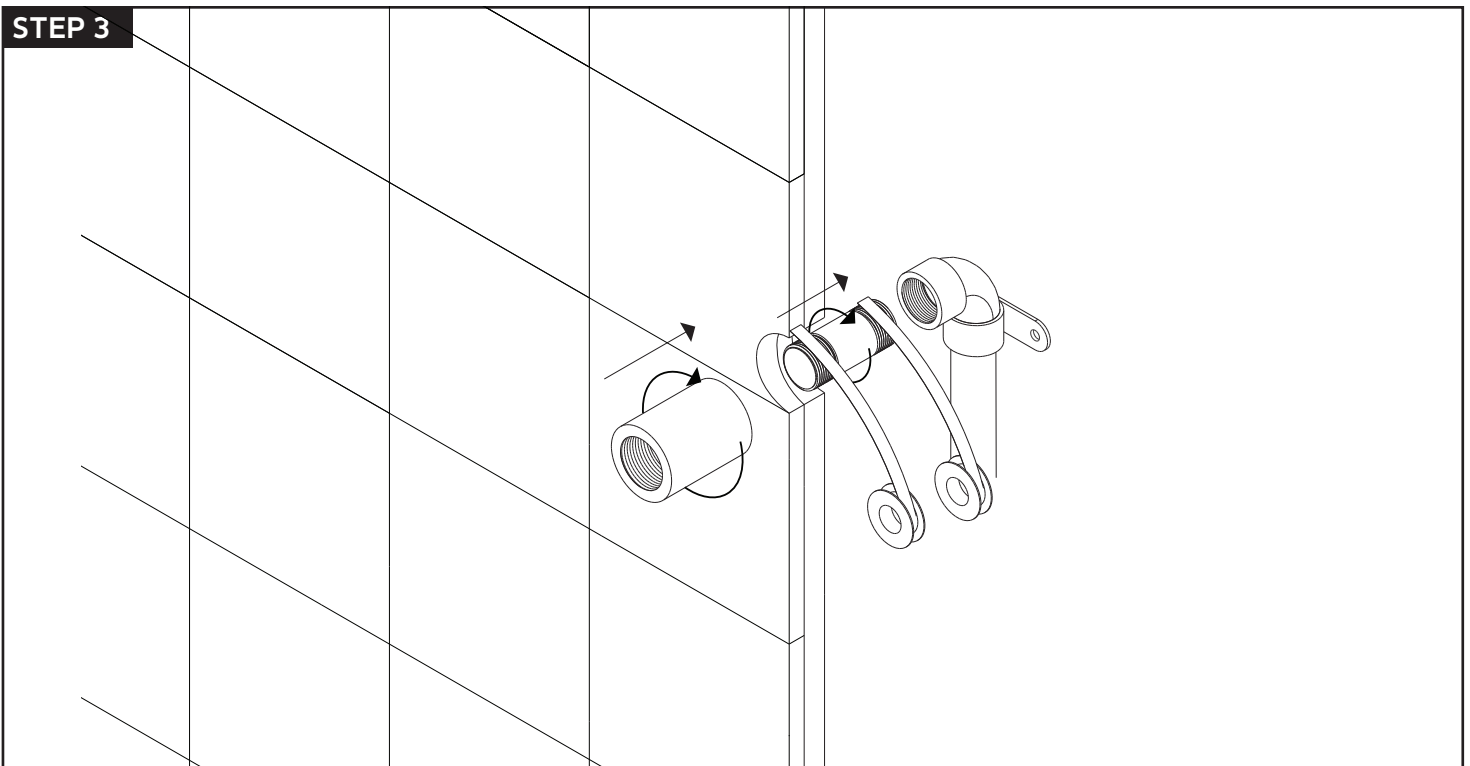


INSTALLATION STEPS

STEP 2



STEP 3

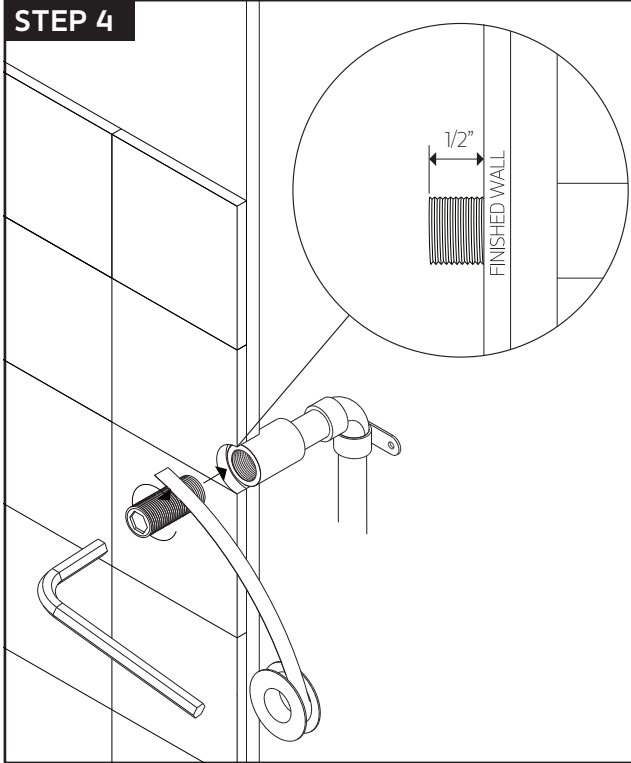


artos[®]

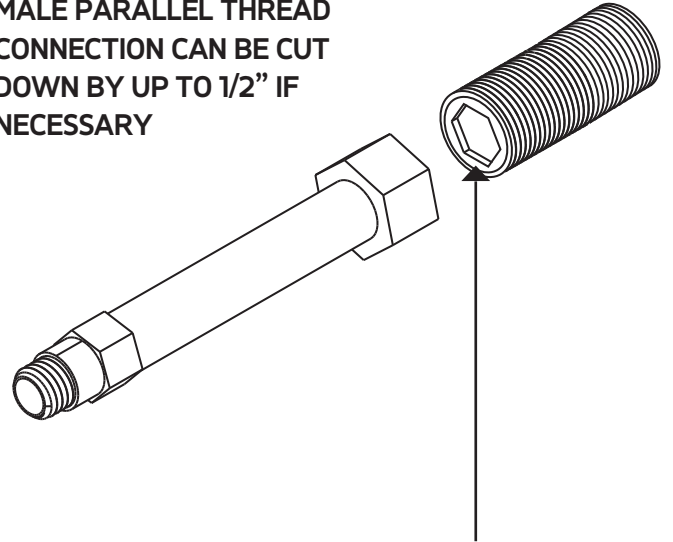
F403-1

shower rainhead wall mount
squ

STEP 4



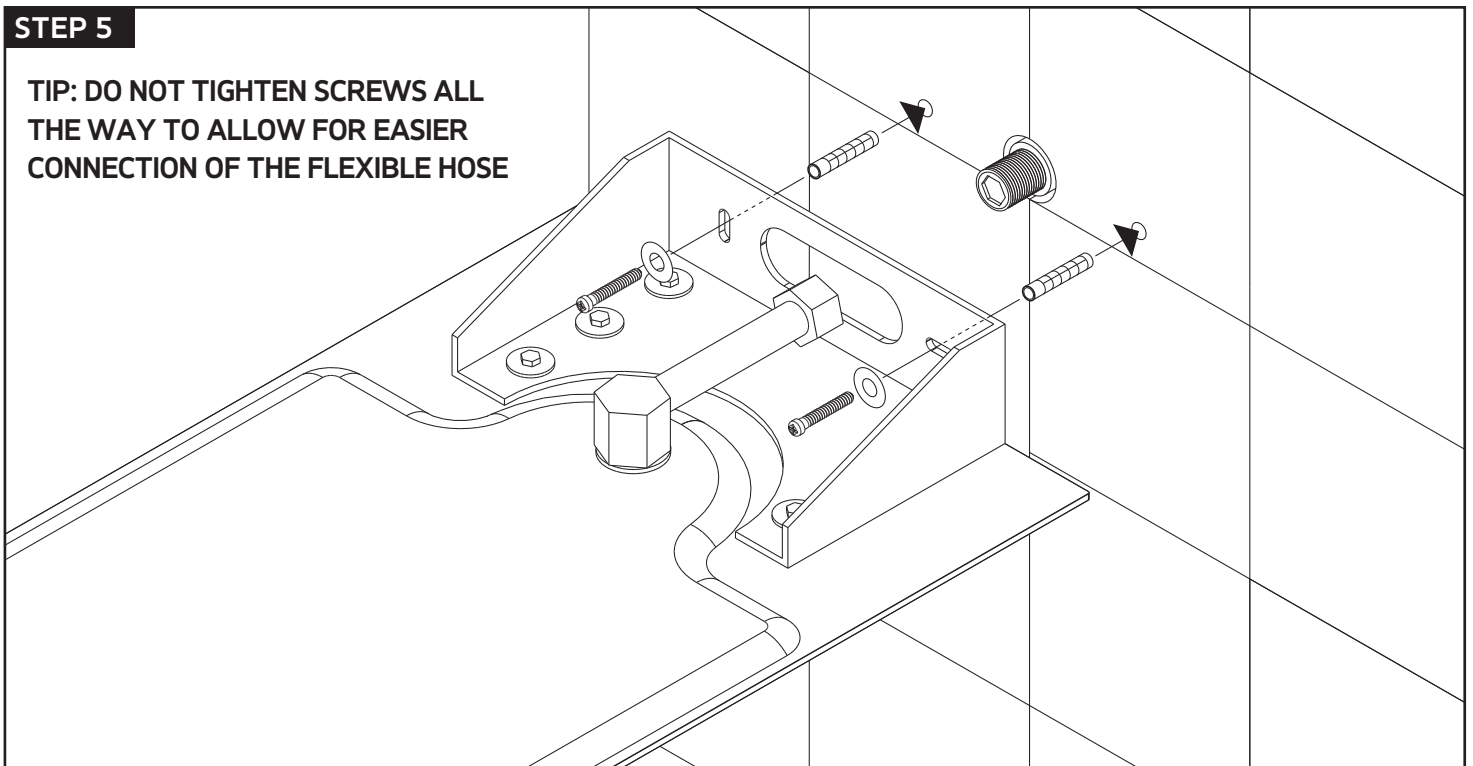
**MALE PARALLEL THREAD
CONNECTION CAN BE CUT
DOWN BY UP TO 1/2" IF
NECESSARY**



**DO NOT CUT OFF FLAT END WITH HEX CENTER,
THIS END CONNECTS TO FLEXIBLE HOSE**

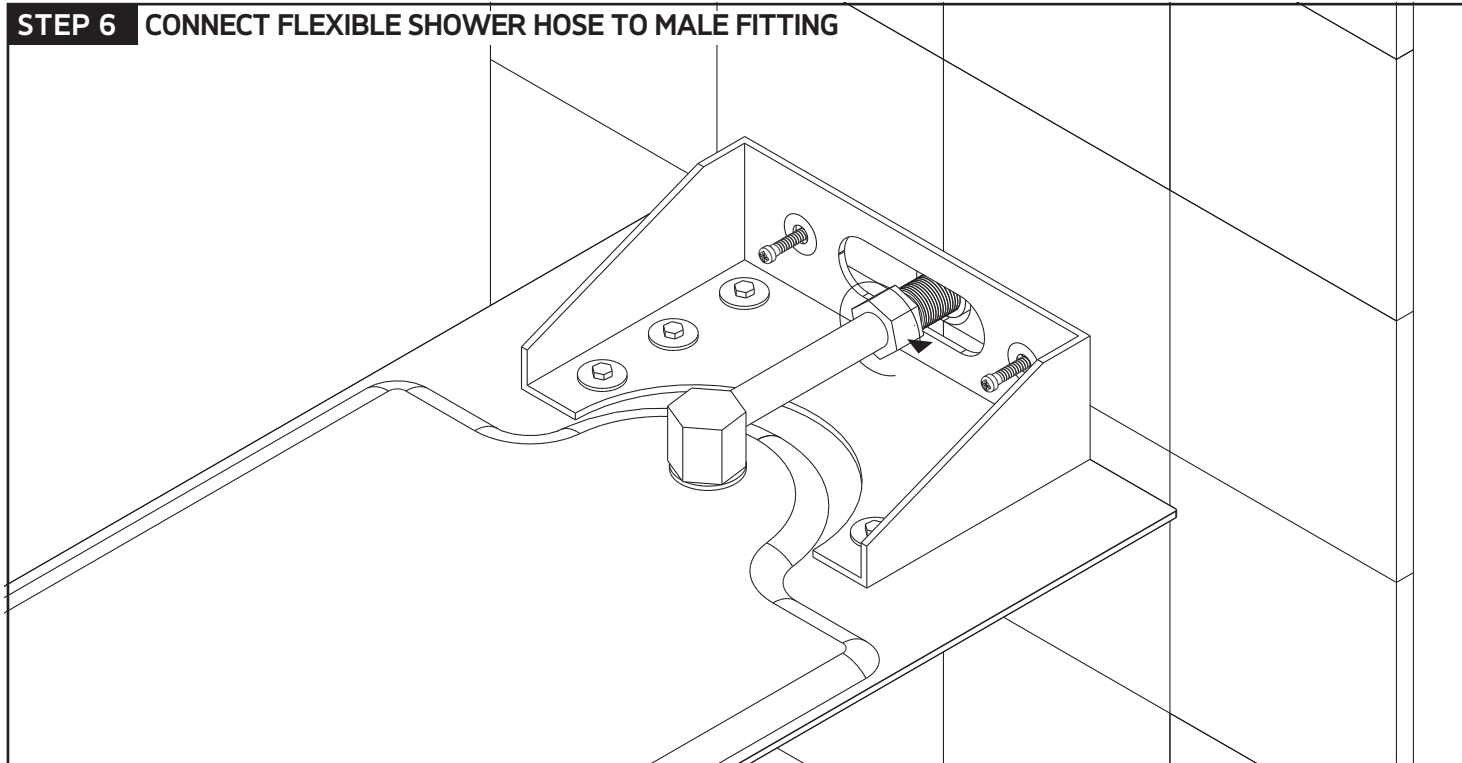
STEP 5

**TIP: DO NOT TIGHTEN SCREWS ALL
THE WAY TO ALLOW FOR EASIER
CONNECTION OF THE FLEXIBLE HOSE**

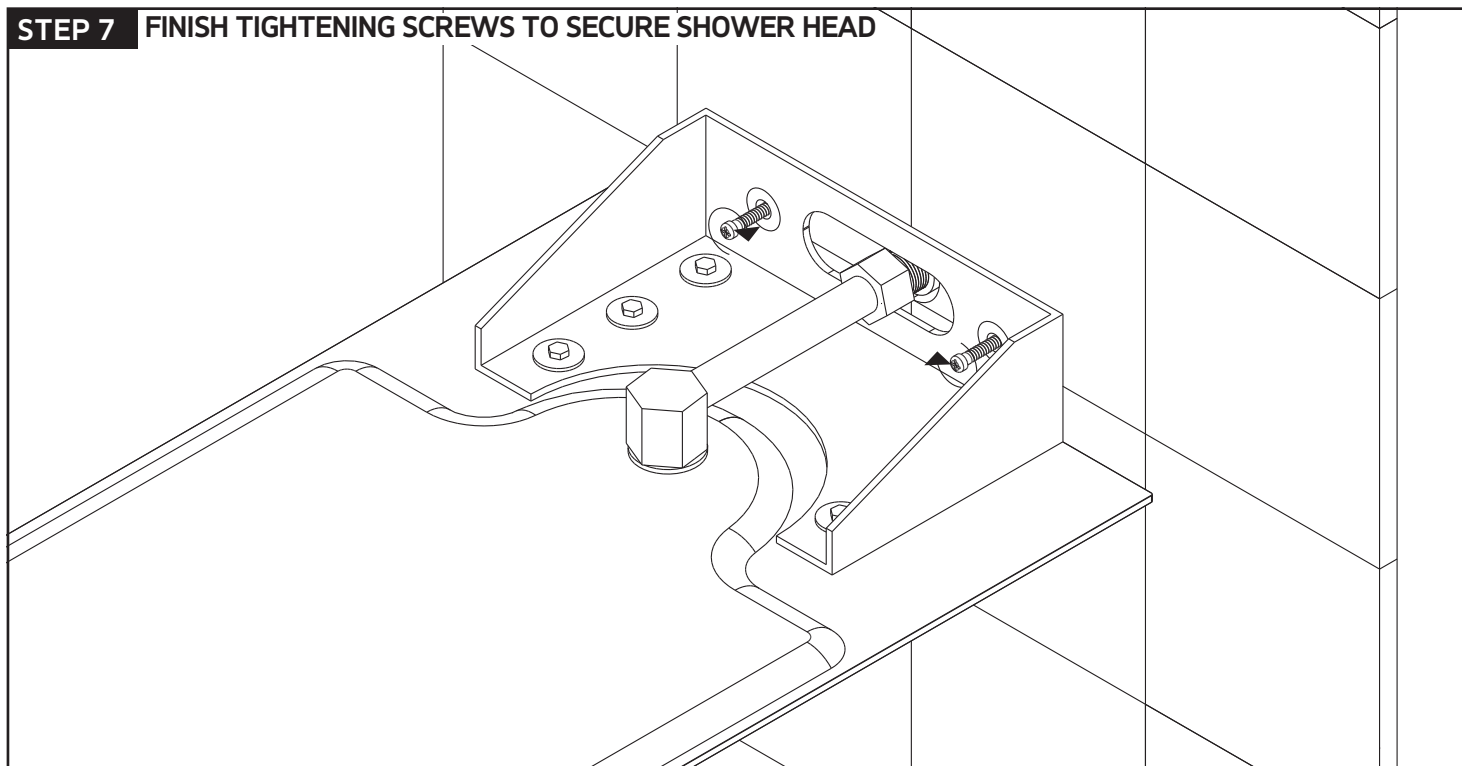


INSTALLATION STEPS

STEP 6 CONNECT FLEXIBLE SHOWER HOSE TO MALE FITTING



STEP 7 FINISH TIGHTENING SCREWS TO SECURE SHOWER HEAD

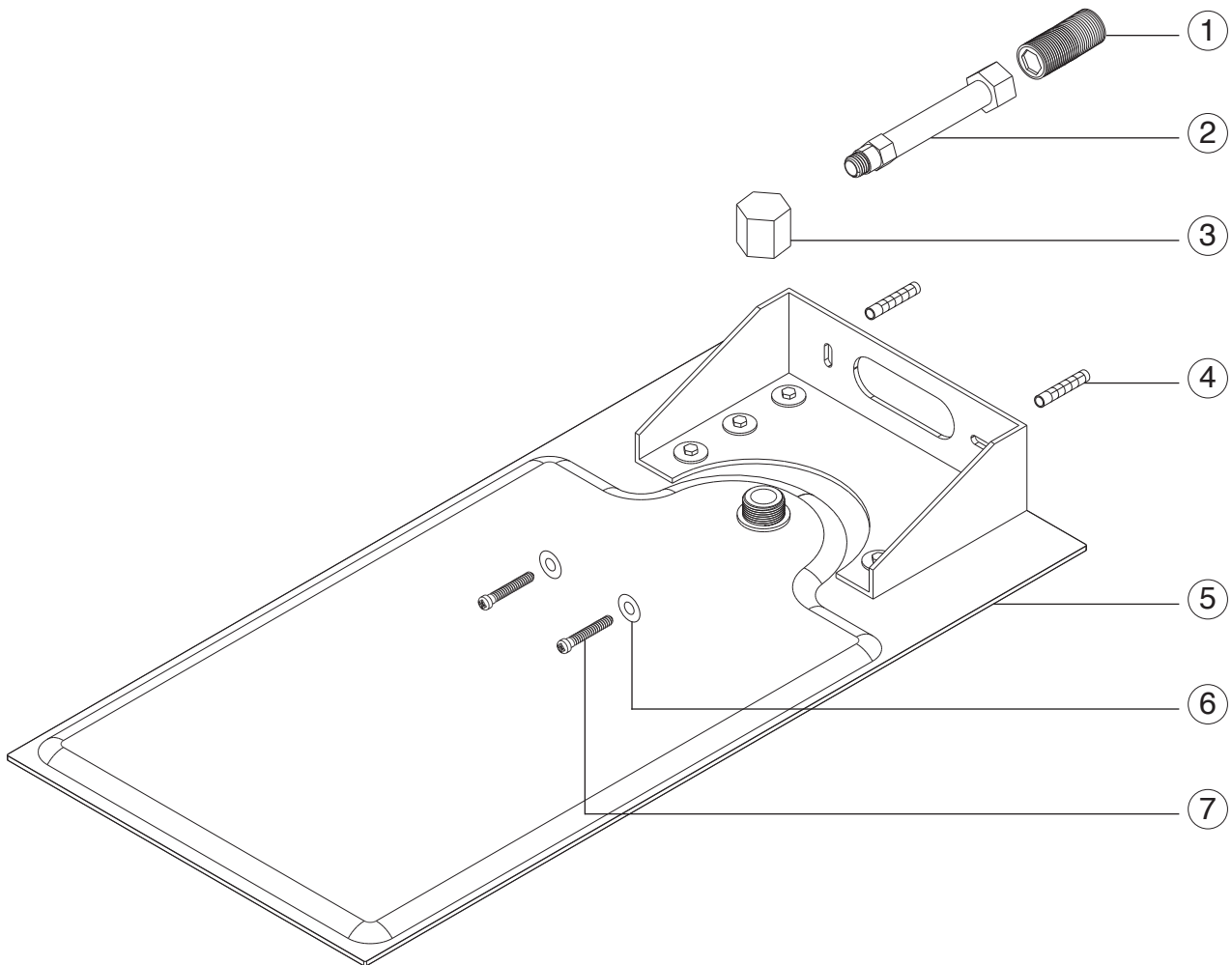


artos[®]

F403-1

PARTS BREAKDOWN

shower rainhead wall mount
squ



- ① **MALE CONNECTOR** F403-1 XP1
- ② **SUPPLY HOSE** F403-1 XP2
- ③ **INLET NUT** F403-1 XP3
- ④ **ANCHOR(2)** F403-1 XP4
- ⑤ **SHOWER HEAD** F403-1 XP5
- ⑥ **WASHER(2)** F403-1 XP6
- ⑦ **SCREW(2)** F403-1 XP7

artos[®]

F403-1

CARE & MAINTENANCE

shower rainhead wall mount
squ

For best results, keep the following in mind to retain the high quality finish of your artos[®] faucets:

- Use a soft, dampened sponge or cloth. On no account should you use an abrasive material such as a brush, scouring pad or steel wool to clean surfaces.
- Test your cleaning agent solution on an inconspicuous area before applying to the entire faucet.
- Wipe surfaces clean and rinse completely with water immediately after applying cleaning agent.
- An ideal cleaning technique is to rinse faucet thoroughly and blot dry any water from the surface after each use.

LIMITED LIFETIME WARRANTY

artos[®] faucets are guaranteed for life against leaks and finishing defects for as long as the original purchaser owns it.

Damage caused by accident, misuse, abuse, improper installation, improper cleaning or alteration will void the warranty. This warranty does not cover replacement parts where damage is caused by normal wear and tear. Westover, Inc is not responsible for labor charges, installation or other incidental or consequential costs. Proof of purchase must be provided with all claims.

Please register this product online at WWW.ARTOS.US.COM

ITEM NO. **F403-1**
SERIAL NO.