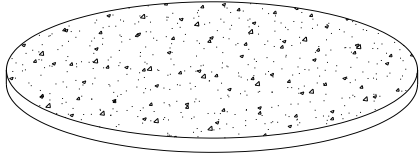
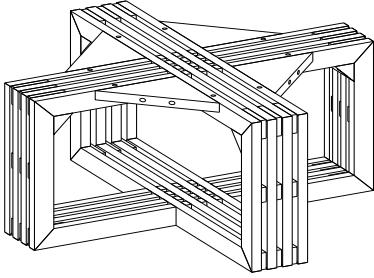
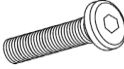

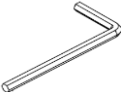
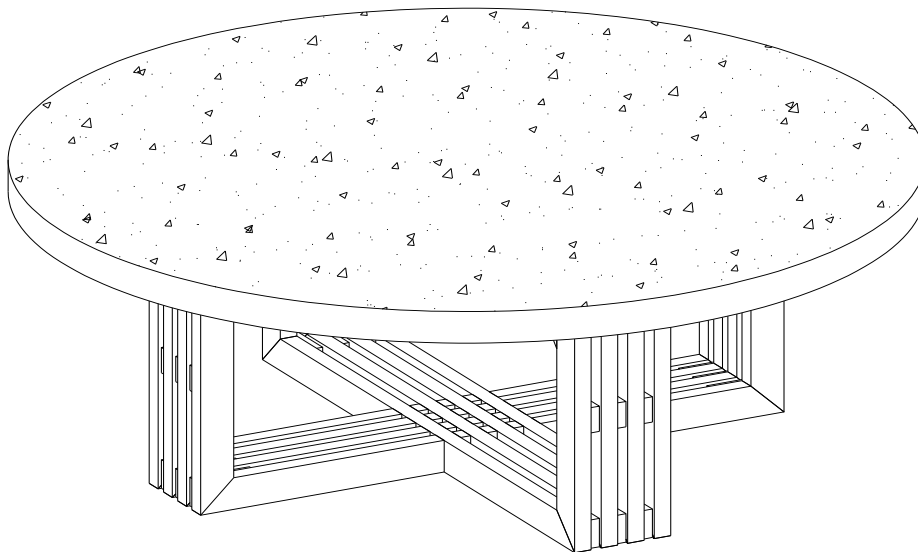


# ASSEMBLY INSTRUCTIONS

## PARTS LIST

A	TABLE TOP X 1				<p><b>Before beginning</b></p> <p>1 - Carefully unpack and position the item on a clean, non-marring surface to assemble.</p> <p>2 - Read this Assembly Instructions from beginning to end before starting to assemble.</p> <p>3 - Take an inventory of the required parts to ensure all are available.</p> <p>4 - To prevent accidental choking hazards, keep all packing materials away from small children.</p>				
B	LEG X 1				<p>5 - Only tighten hardware until ALL hardware are fully engaged on their locations. Overtighten bolts will damage the bolt threads.</p> <p>6 - Use only factory provided hardware to assemble. Unapproved hardware can damage product or jeopardize the structural integrity of the product.</p> <p>7 - The use of power tool to assemble is not recommended due to high risk of over-torque, which can damage the product.</p>				
Z	HARDWARE	<p><b>Z1</b></p>  <p>8X80MM X 8</p>	<p><b>Z2</b></p>  <p>8X19X1,5MM X 8</p>	<p><b>Z3</b></p>  <p>4X59MM X 1</p>					



ASSEMBLY REQUIRES  
TWO PEOPLE



15-MINUTE  
ASSEMBLY TIME

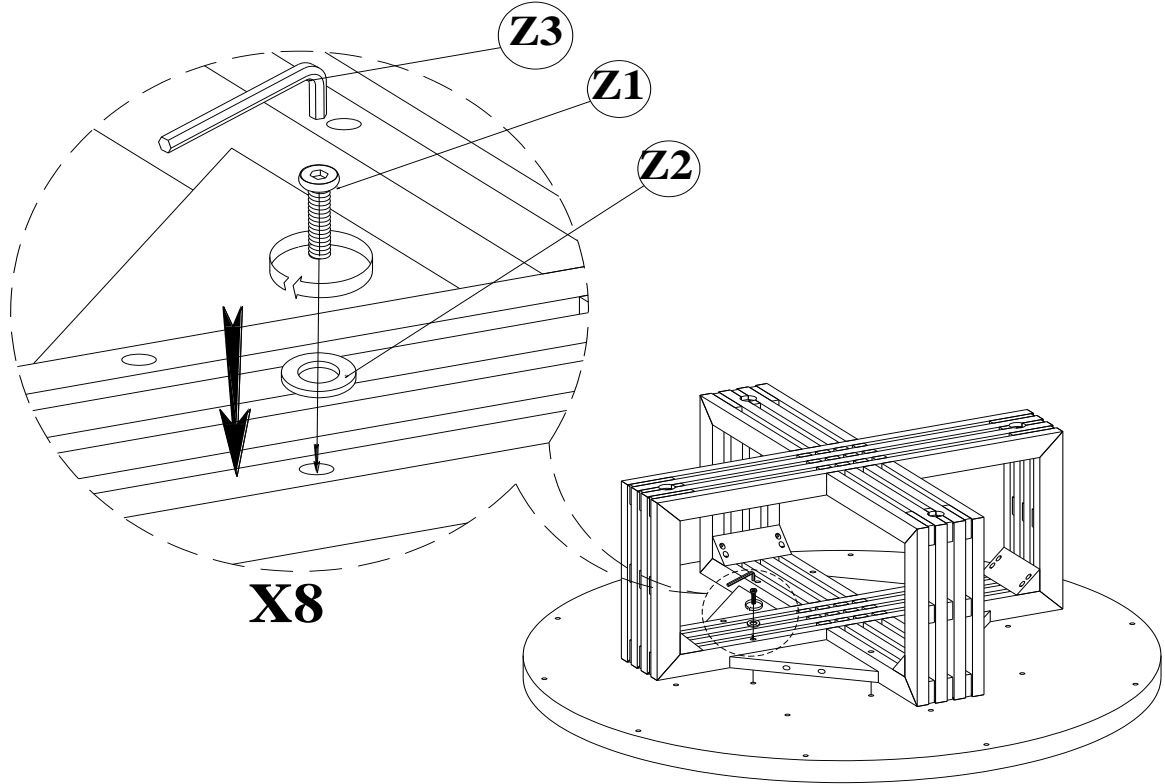


KEEP INSTRUCTIONS  
FOR FUTURE USE



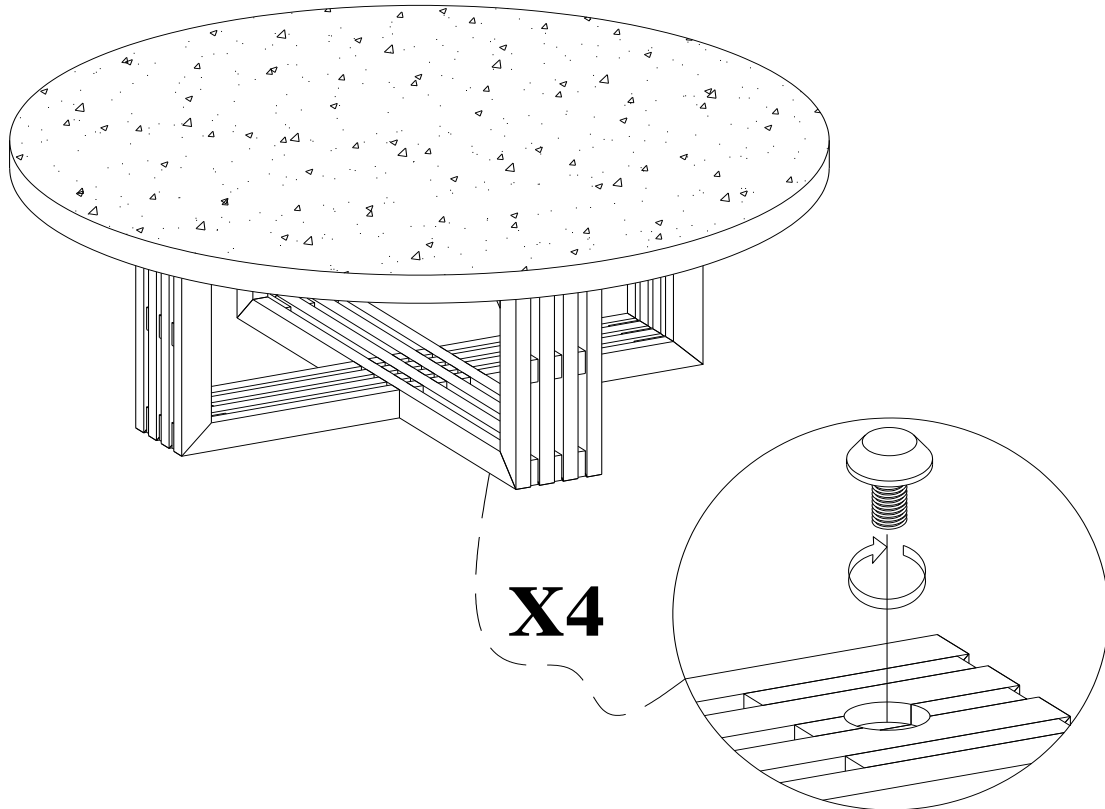
# ASSEMBLY INSTRUCTIONS

1



- Attach the Leg set (B) into the Table Top (A).
- Using Allen Key (Z3) to tighten all Allen Bolts (Z1), and Washers (Z2).

2



- With two people carefully turn the Table over and stand on its legs
- If the Table doesn't sit level, please adjust the Adjustable Levels under the legs.
- Completed item.